



US00D821626S

(12) **United States Design Patent**
Hou

(10) **Patent No.:** **US D821,626 S**
(45) **Date of Patent:** **** Jun. 26, 2018**

(54) **MULTIFUNCTIONAL SOLAR LIGHT**

(71) Applicant: **Mao Hou**, Shenzhen (CN)

(72) Inventor: **Mao Hou**, Shenzhen (CN)

(**) Term: **15 Years**

(21) Appl. No.: **29/563,365**

(22) Filed: **May 4, 2016**

(51) **LOC (11) Cl.** **26-05**

(52) **U.S. Cl.**
USPC **D26/69**; D26/63

(58) **Field of Classification Search**
USPC D26/63, 65, 67, 68, 69, 70, 71, 72, 85,
D26/87, 92
CPC F21S 8/03; F21S 8/033; F21S 8/036; F21S
8/037; F21S 9/022; F21S 9/024; F21S
9/03; F21S 9/035; F21S 9/037; F21W
2131/107
See application file for complete search history.

2004/0156189 A1* 8/2004 Opolka F21V 21/0824
362/119
2005/0103378 A1* 5/2005 Pu F21S 9/032
136/244
2006/0044785 A1* 3/2006 Lee F21S 9/037
362/96
2007/0247843 A1* 10/2007 Schrimmer F21V 21/0824
362/231
2015/0167943 A1* 6/2015 Rugendyke F21V 21/30
362/294
2016/0281968 A1* 9/2016 Sung F21V 21/116
2016/0327221 A1* 11/2016 Lin F21V 21/145
2016/0356439 A1* 12/2016 Inskeep F21V 21/0965
2017/0082272 A1* 3/2017 Garza F21V 21/30

* cited by examiner

Primary Examiner — Clare E Heflin
(74) *Attorney, Agent, or Firm* — Novoclaims Patent
Services LLC; Mei Lin Wong

(57) **CLAIM**

The ornamental design for a multifunctional solar light, as
shown and described.

(56) **References Cited**

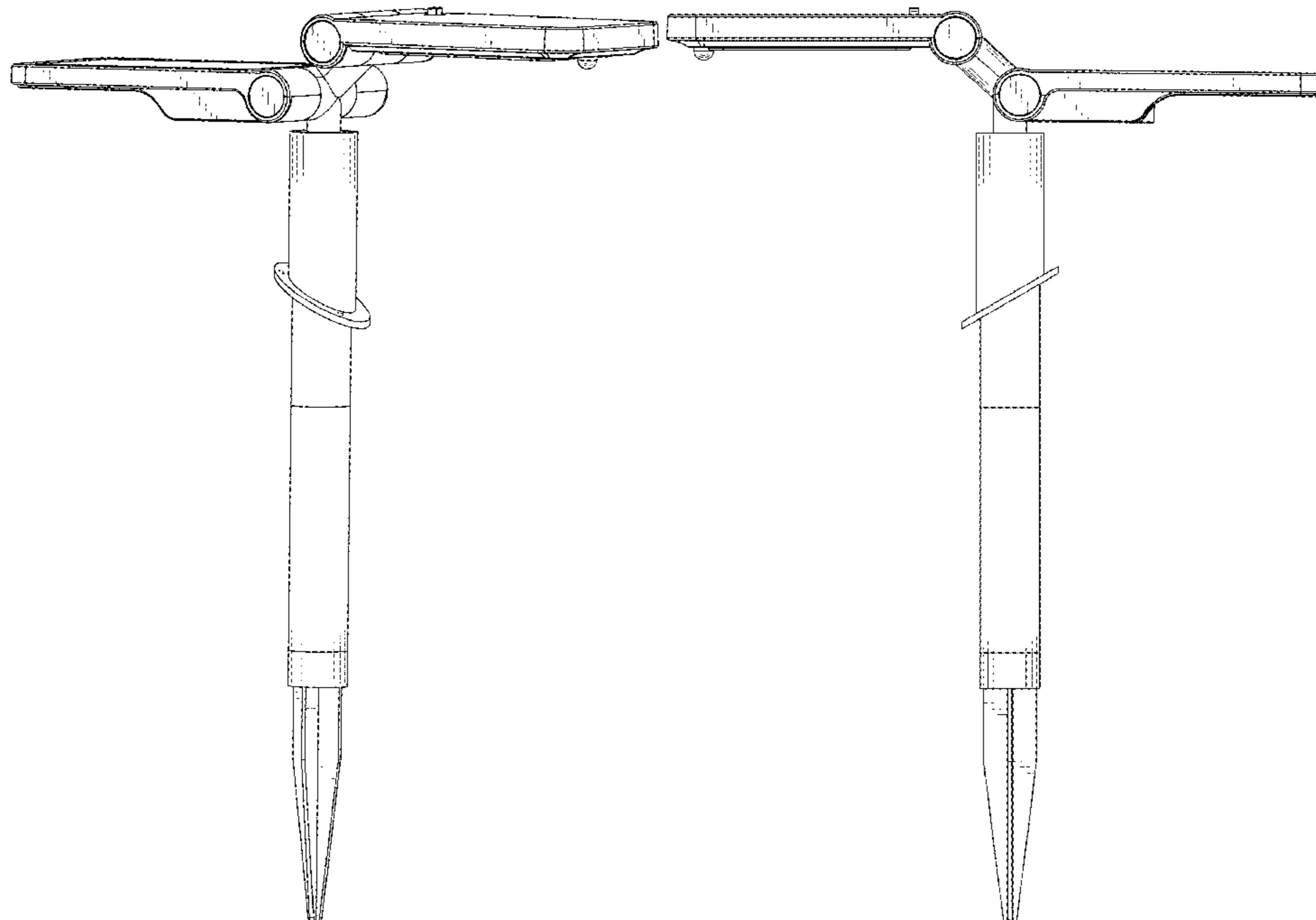
U.S. PATENT DOCUMENTS

5,055,984 A * 10/1991 Hung F21S 8/081
136/291
5,211,470 A * 5/1993 Frost F21S 8/081
362/183
5,673,886 A * 10/1997 Negishi F21S 8/086
248/218.4
D531,748 S * 11/2006 Sanoner D26/63
D533,298 S * 12/2006 Kuelbs D26/67
D574,988 S * 8/2008 Cheng D26/63
D647,234 S * 10/2011 Izardel D26/65
D762,903 S * 8/2016 Tsai D26/63
D764,693 S * 8/2016 Sung D26/63
D764,694 S * 8/2016 Tsai D26/63

DESCRIPTION

FIG. 1 is a perspective view of a multifunctional solar light
showing my new design.
FIG. 2 is a front view thereof.
FIG. 3 is a rear view thereof.
FIG. 4 is a right end view thereof.
FIG. 5 is a left end view thereof.
FIG. 6 is a top view thereof; and,
FIG. 7 is a bottom view thereof.
The broken lines shown on the drawings depict portions of
the multifunctional solar light that form no part of the
claimed design.

1 Claim, 7 Drawing Sheets



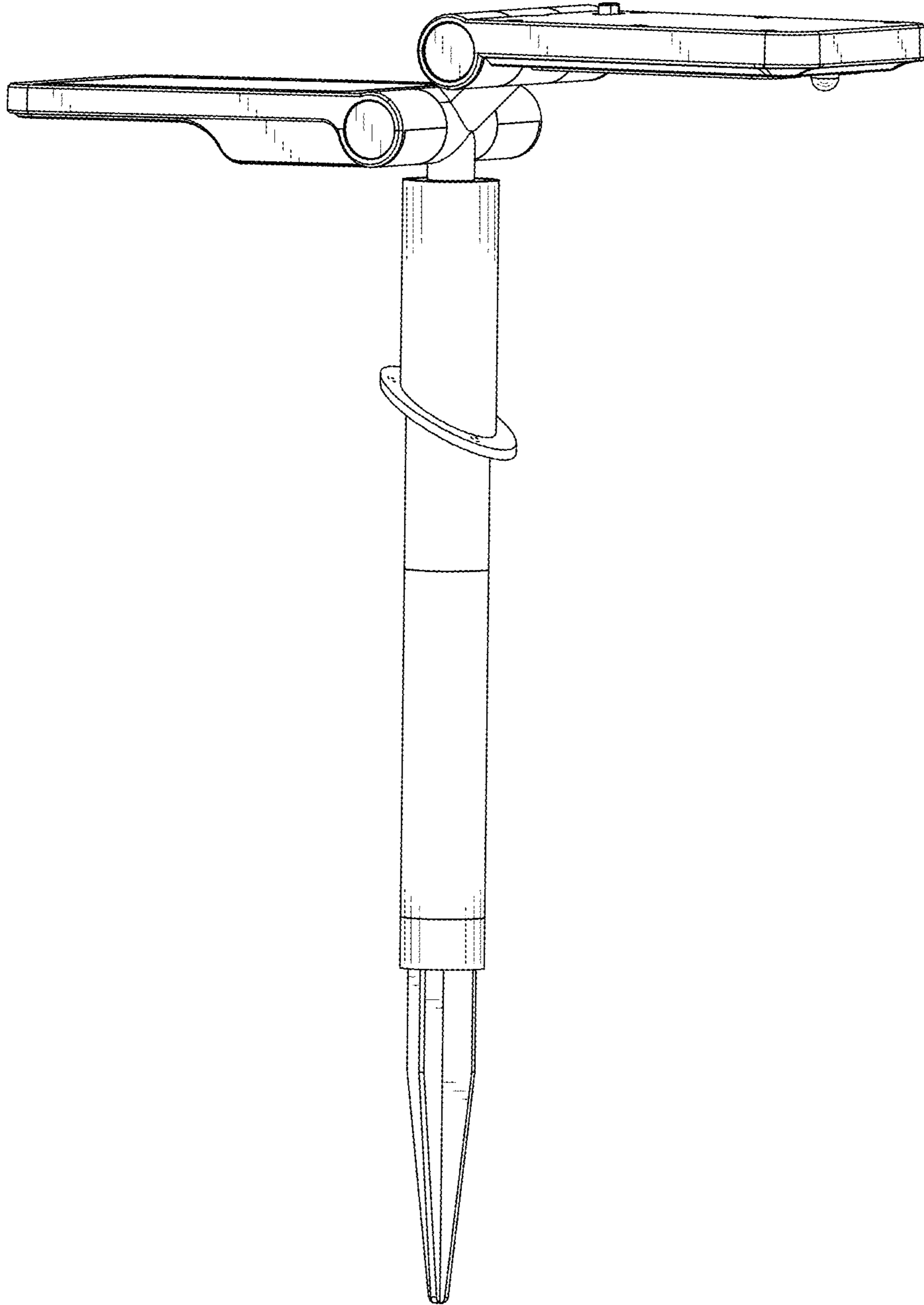


FIG. 1

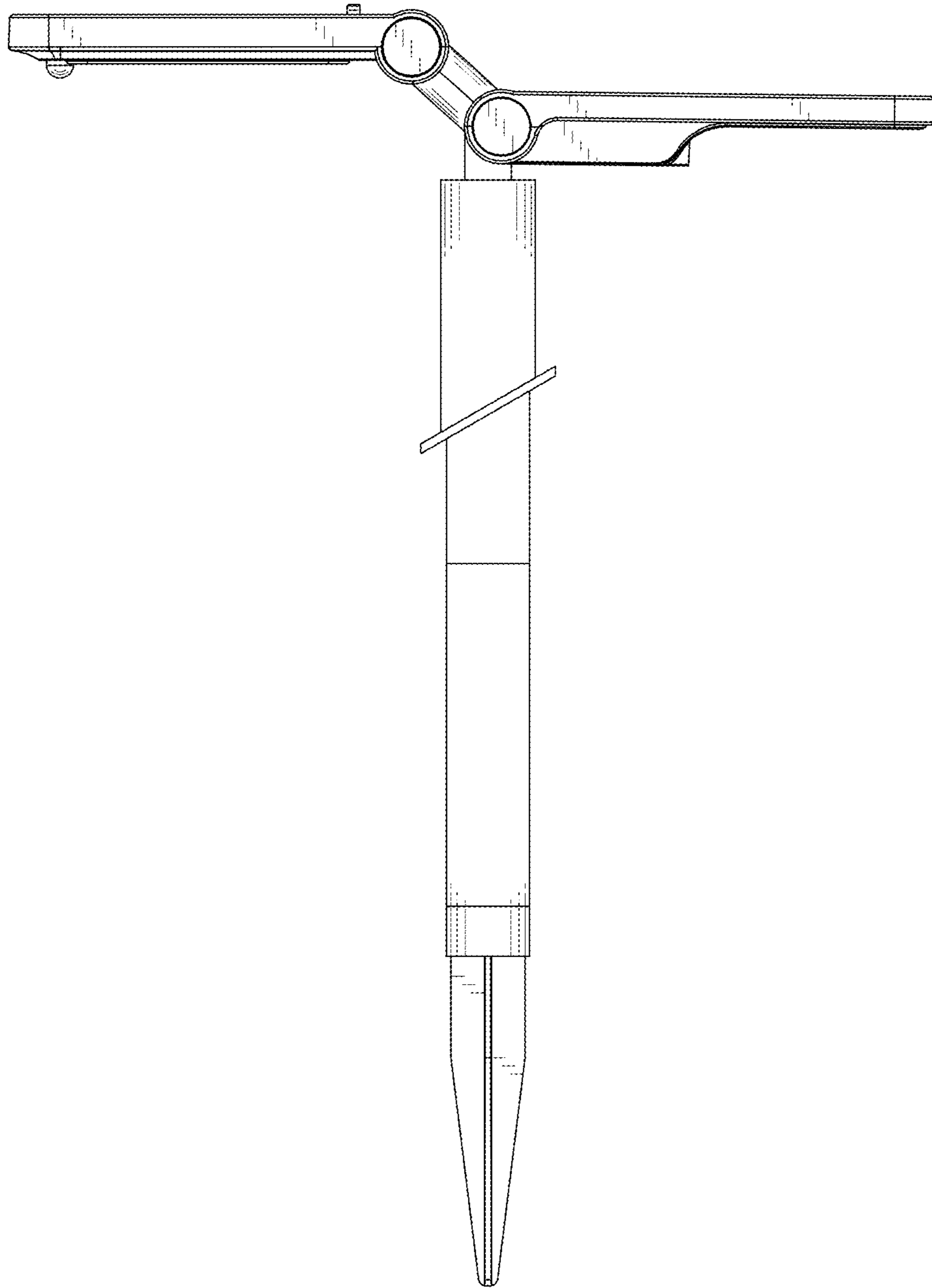


FIG. 2

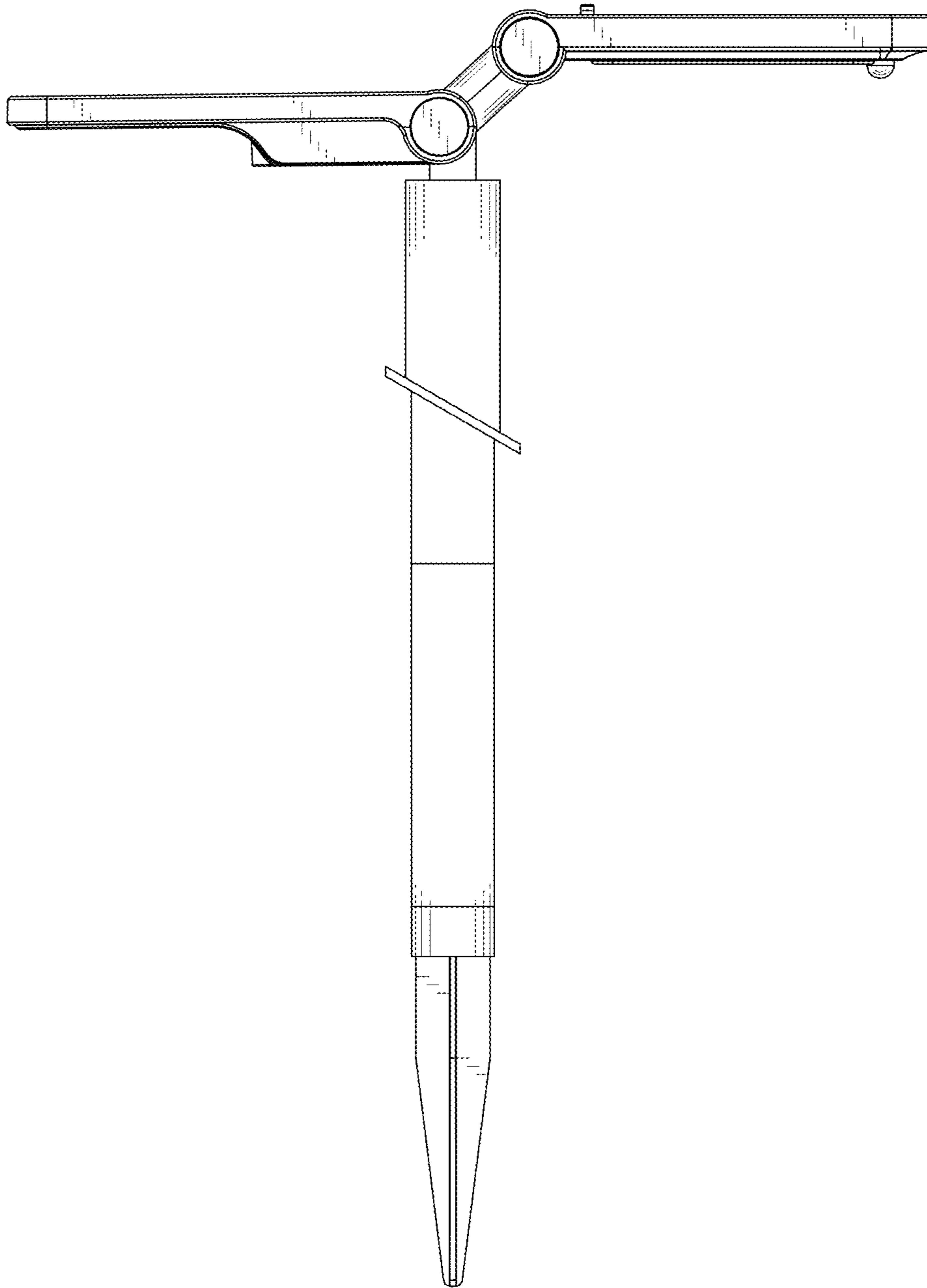


FIG.3

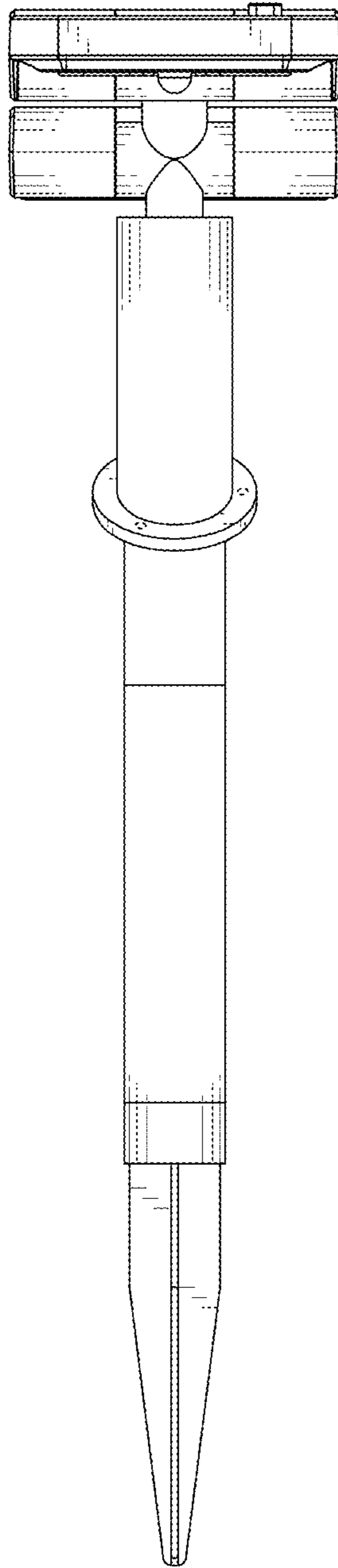


FIG. 4

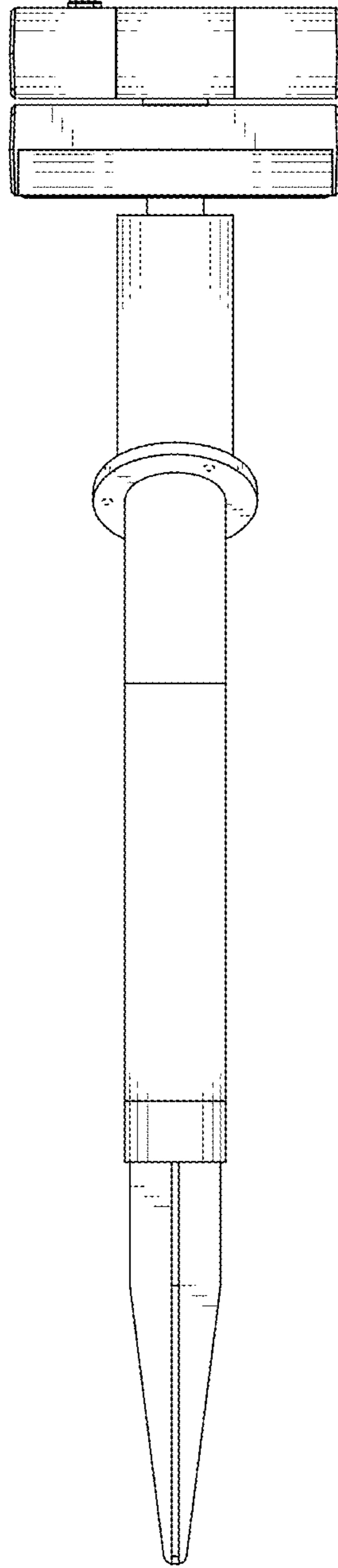


FIG. 5

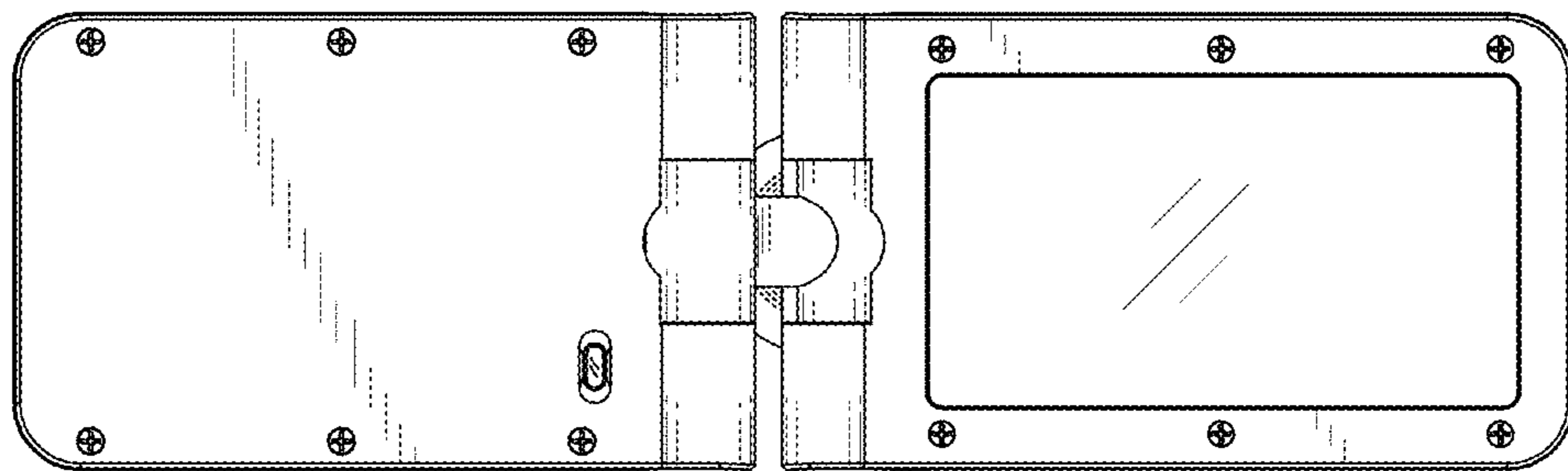


FIG.6

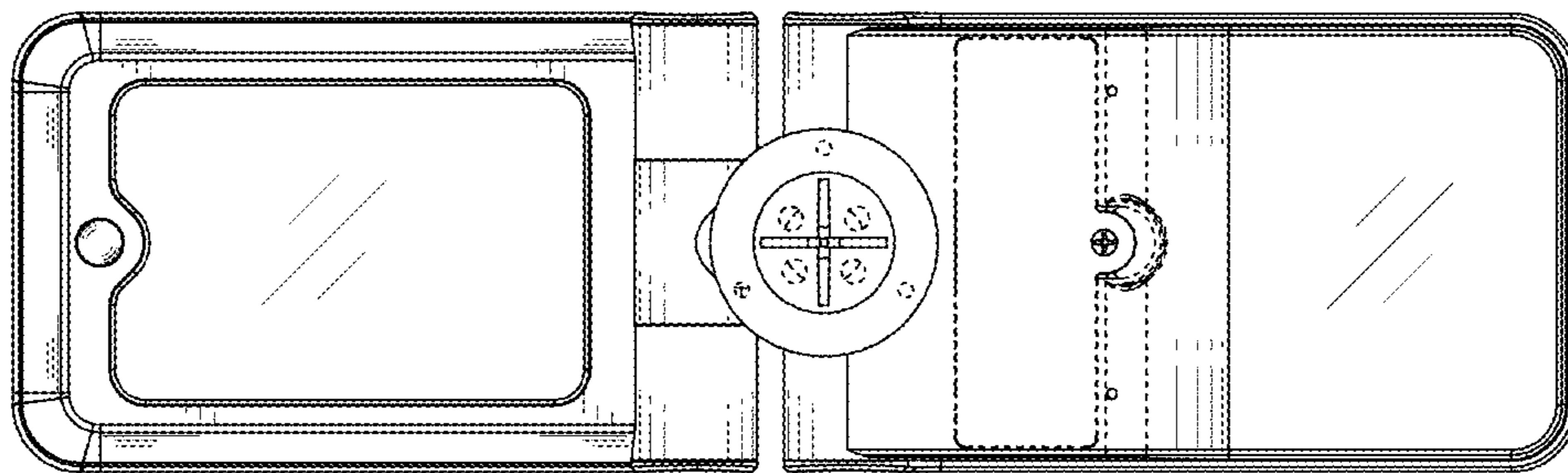


FIG. 7