



US00D821624S

(12) **United States Design Patent** (10) **Patent No.:** **US D821,624 S**
Huyghe (45) **Date of Patent:** **** Jun. 26, 2018**

(54) **LUMINAIRE**

(71) Applicant: **PHILIPS LIGHTING HOLDING B.V.**, Eindhoven (NL)

(72) Inventor: **Jeffrey Huyghe**, Heule (BE)

(73) Assignee: **PHILIPS LIGHTING HOLDING B.V.**, Eindhoven (NL)

(**) Term: **15 Years**

(21) Appl. No.: **35/501,520**

(22) Filed: **Aug. 24, 2016**

(80) **Hague Agreement Data**

Int. Filing Date: **Aug. 24, 2016**

Int. Reg. No.: **DM/092244**

Int. Reg. Date: **Aug. 24, 2016**

Int. Reg. Pub. Date: **Sep. 9, 2016**

(30) **Foreign Application Priority Data**

Feb. 25, 2016 (EM) 003002195-0001

(51) **LOC (11) Cl.** **26-05**

(52) **U.S. Cl.**
USPC **D26/63**

(58) **Field of Classification Search**

USPC D26/1, 24, 61, 65, 85, 92

CPC F21V 21/14; F21V 15/01; F21V 14/02;

F21V 21/30; F21V 21/00; F21V 14/00;

F21S 8/00; F21S 8/003; F21S 8/043;

F21Y 2105/001

See application file for complete search history.

(56) **References Cited**

U.S. PATENT DOCUMENTS

D751,746 S * 3/2016 Hoang D26/63

D753,328 S * 4/2016 Mathews D26/63

D771,296 S * 11/2016 Duckworth D26/63

D773,091 S * 11/2016 Nouvel D26/63

D775,754 S * 1/2017 Jepson D26/63

D779,098 S * 2/2017 Tsai D26/63

D787,730 S * 5/2017 Gines D26/63

D788,344 S * 5/2017 Gecchelin D26/63

D795,478 S * 8/2017 Goetz-Schaefer D26/63

D795,479 S * 8/2017 Goetz-Schaefer D26/63

* cited by examiner

Primary Examiner — Zenia Bennett

(57) **CLAIM**

The ornamental design for the luminaire, as shown and described.

DESCRIPTION

1. Luminaire

1.1 is a bottom perspective view showing my design;

1.2 is a front elevational view thereof;

1.3 is a rear elevational view thereof;

1.4 is a right side elevational view thereof;

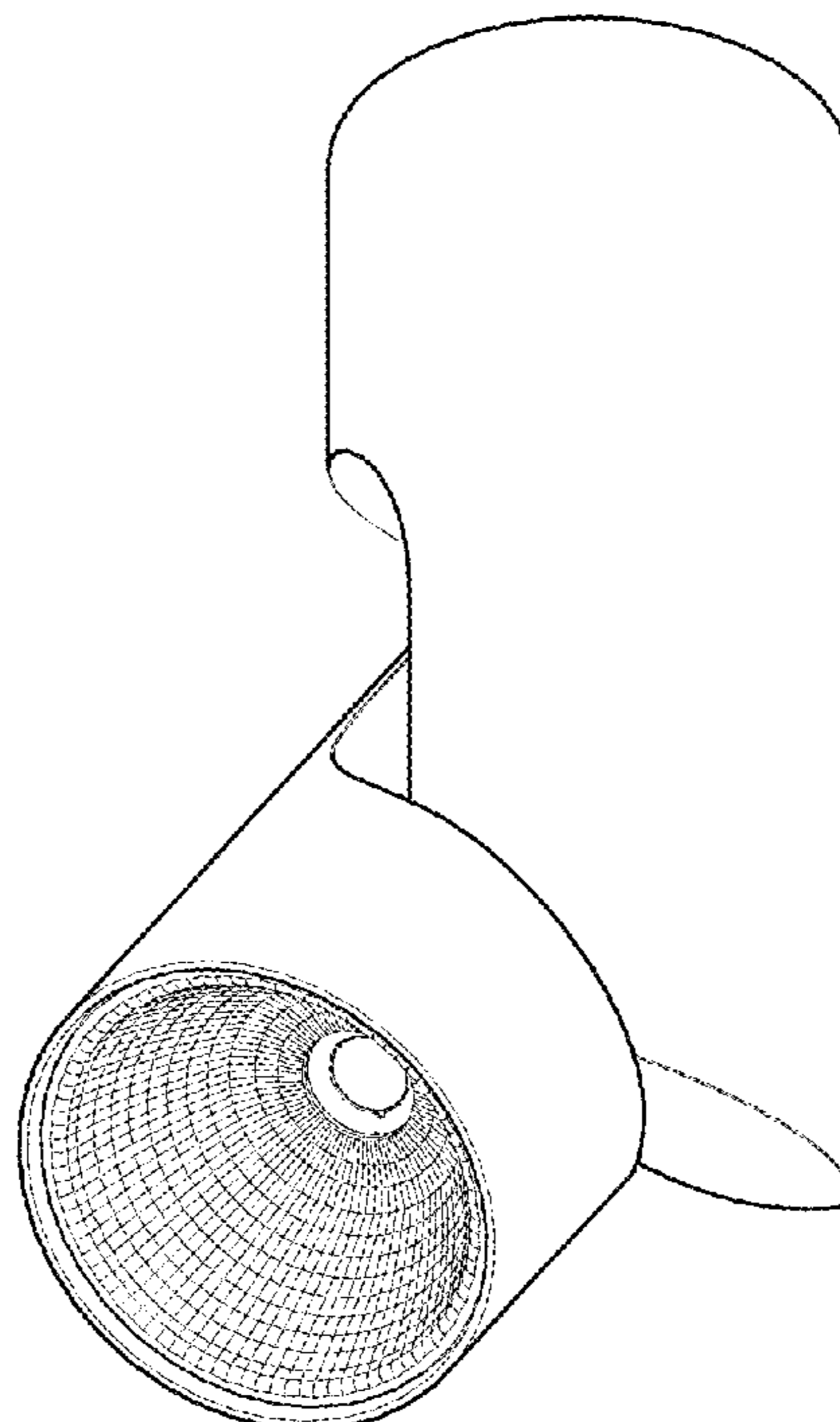
1.5 is a left side elevational view thereof;

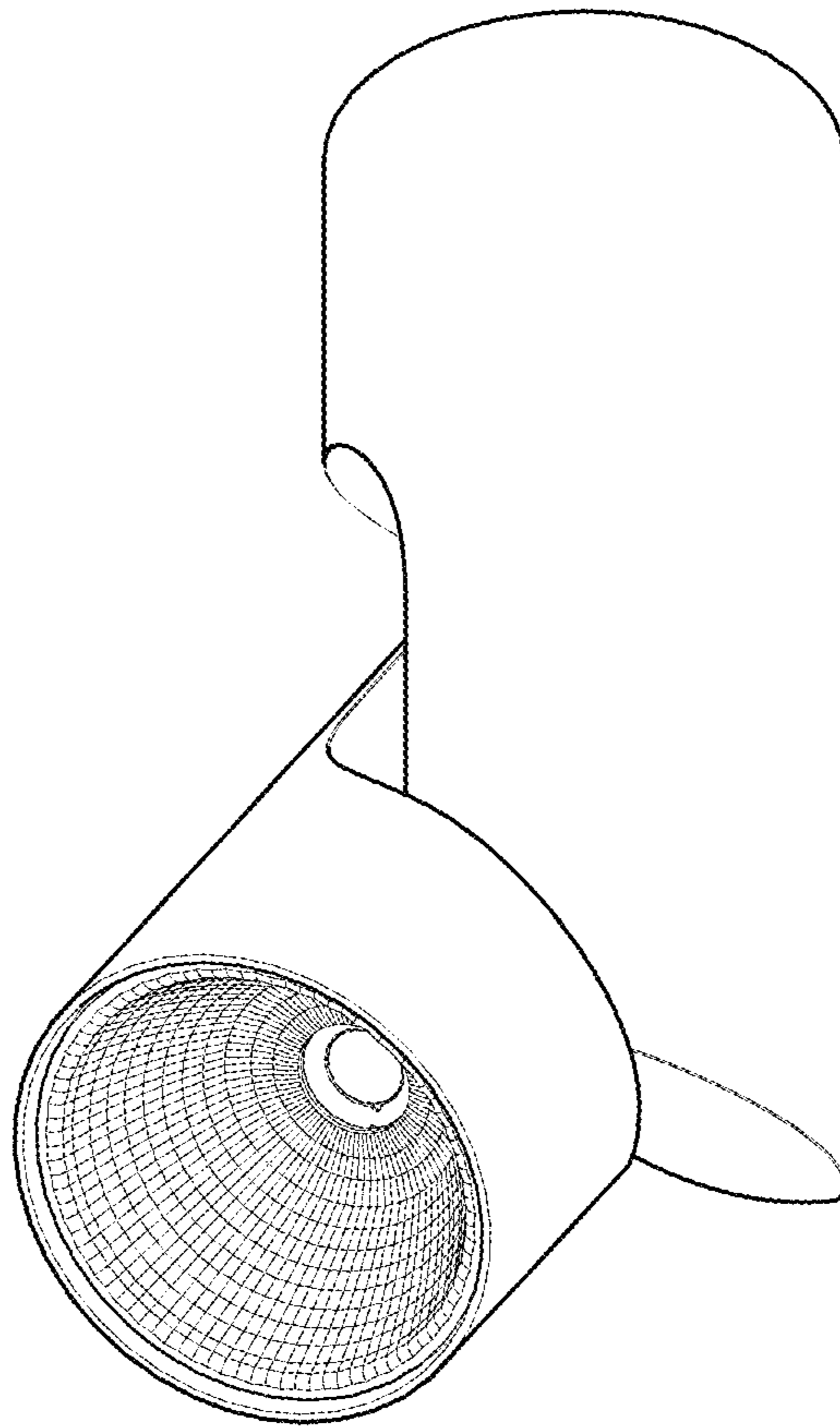
1.6 is a top plan view thereof;

1.7 is a bottom plan view thereof.

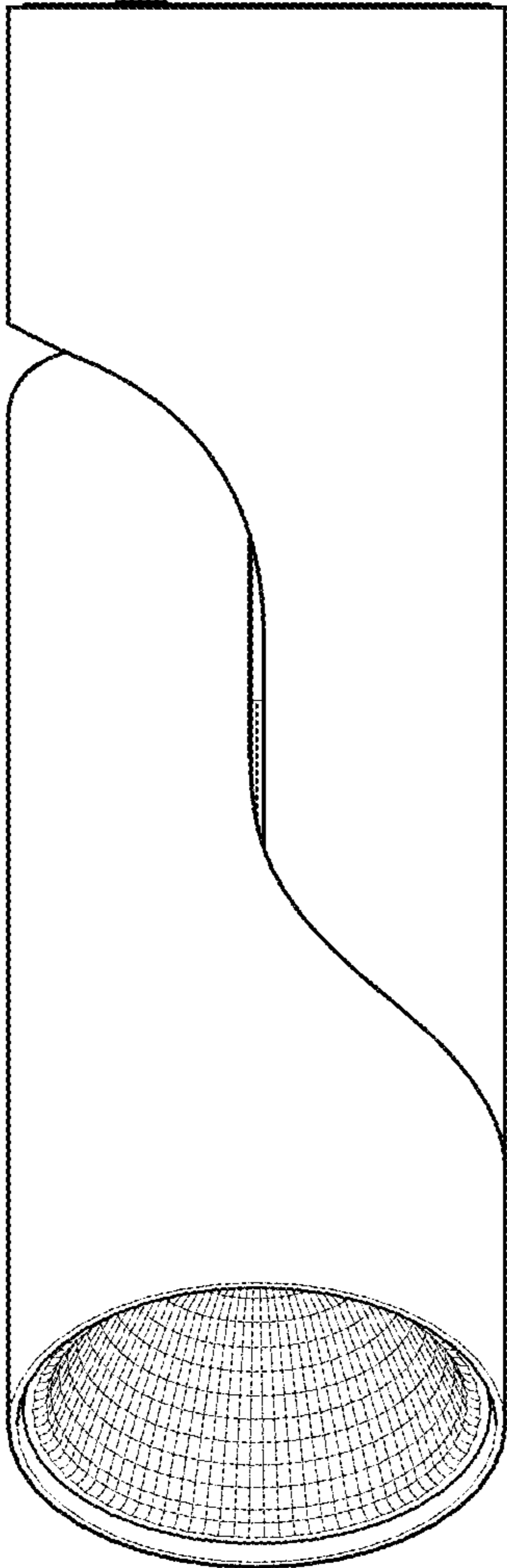
The broken lines depicting features of the top of the luminaire are for environmental purposes only and form no part of the claimed design.

1 Claim, 5 Drawing Sheets

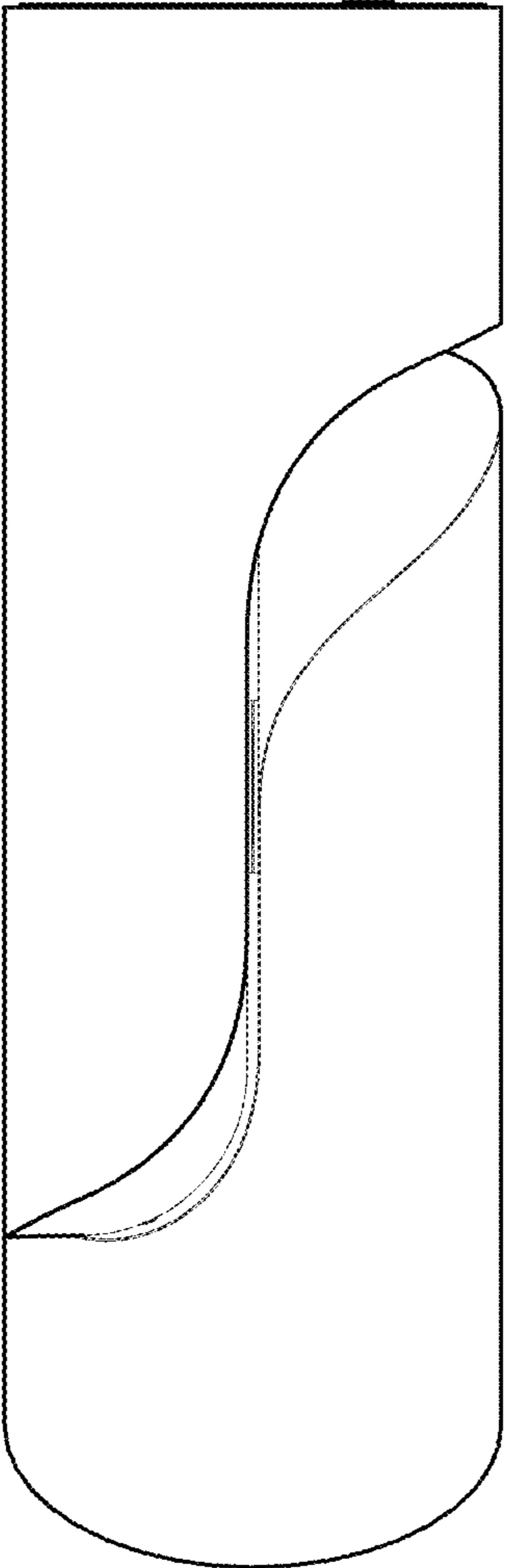




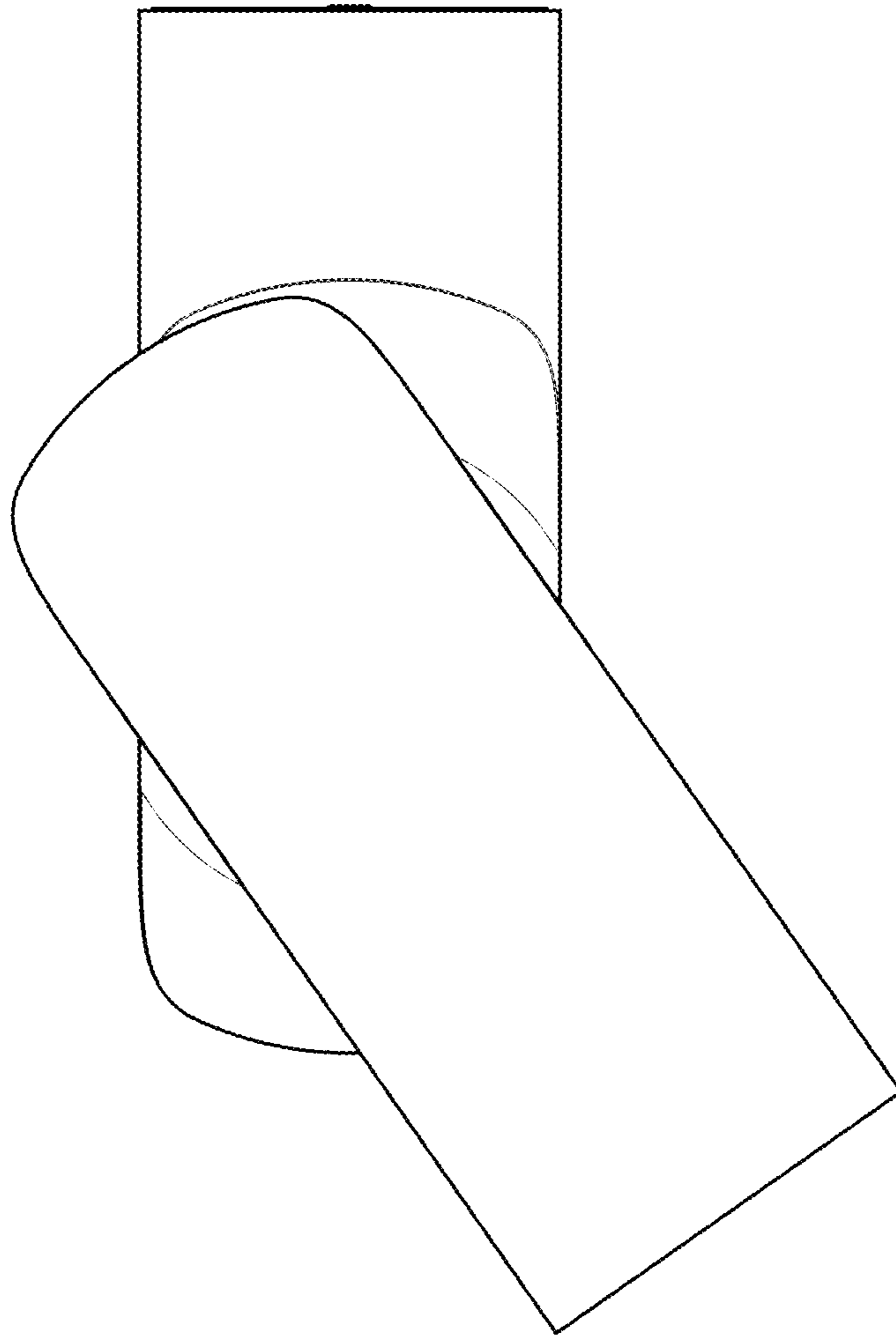
1.1



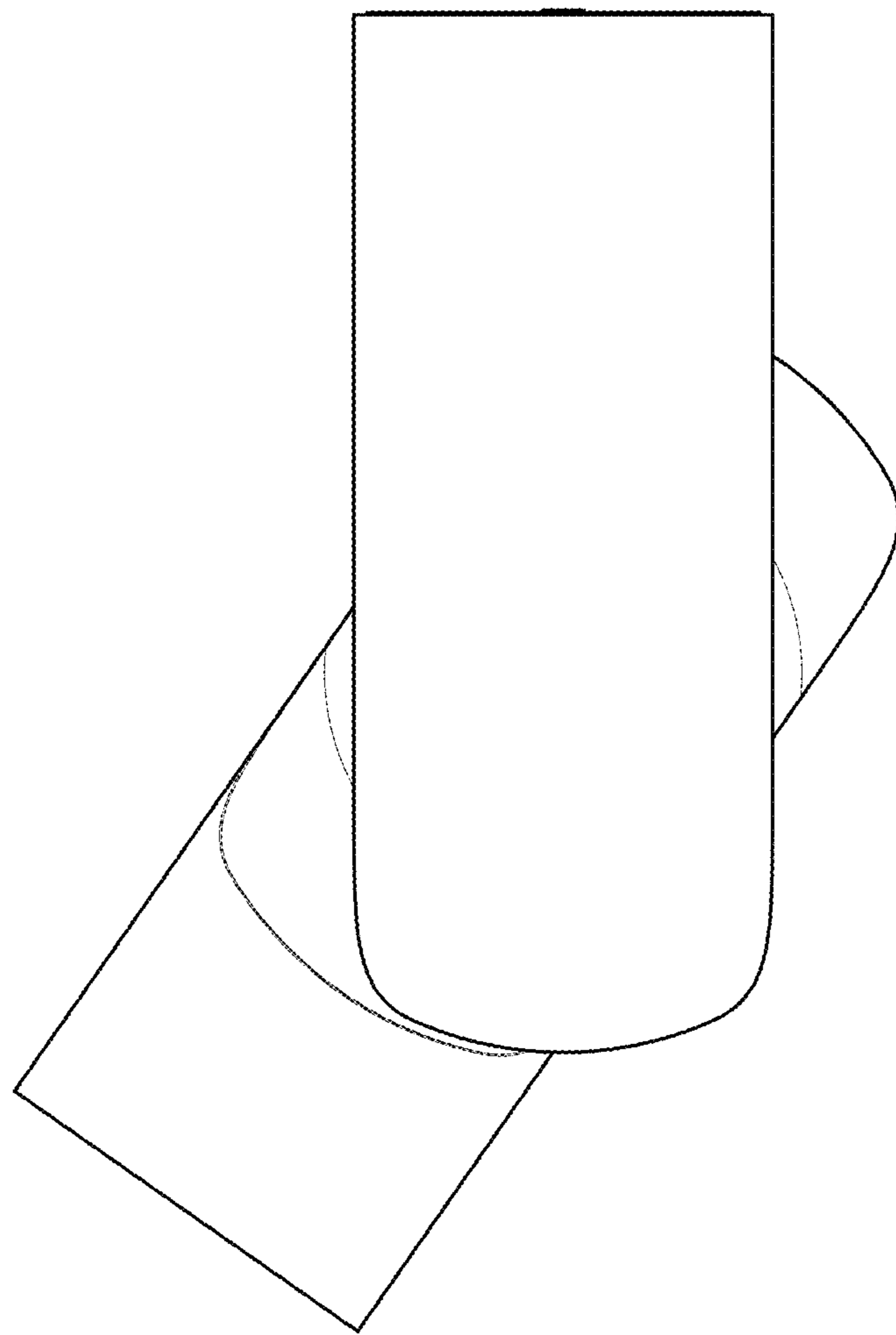
1.2



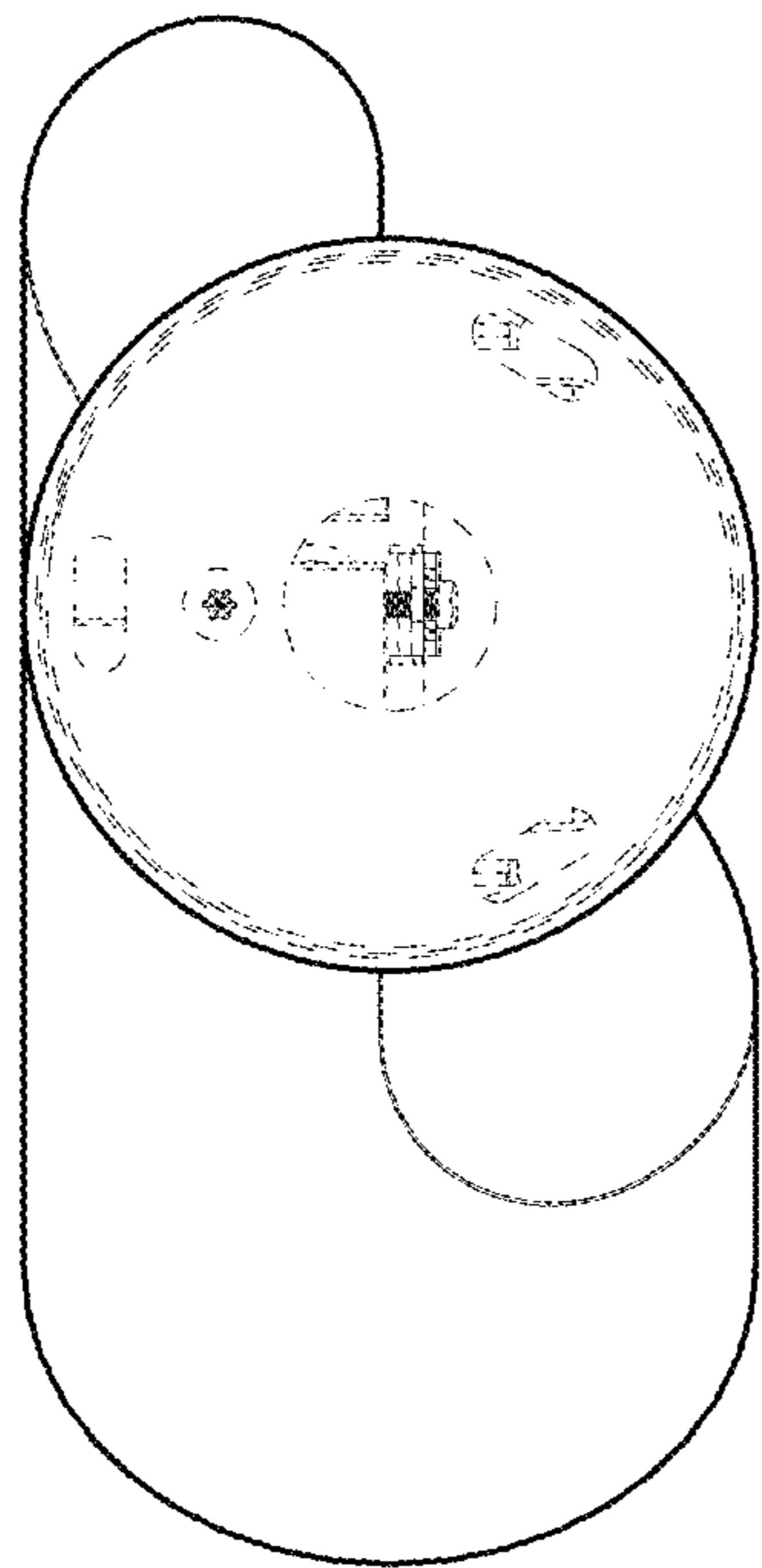
1.3



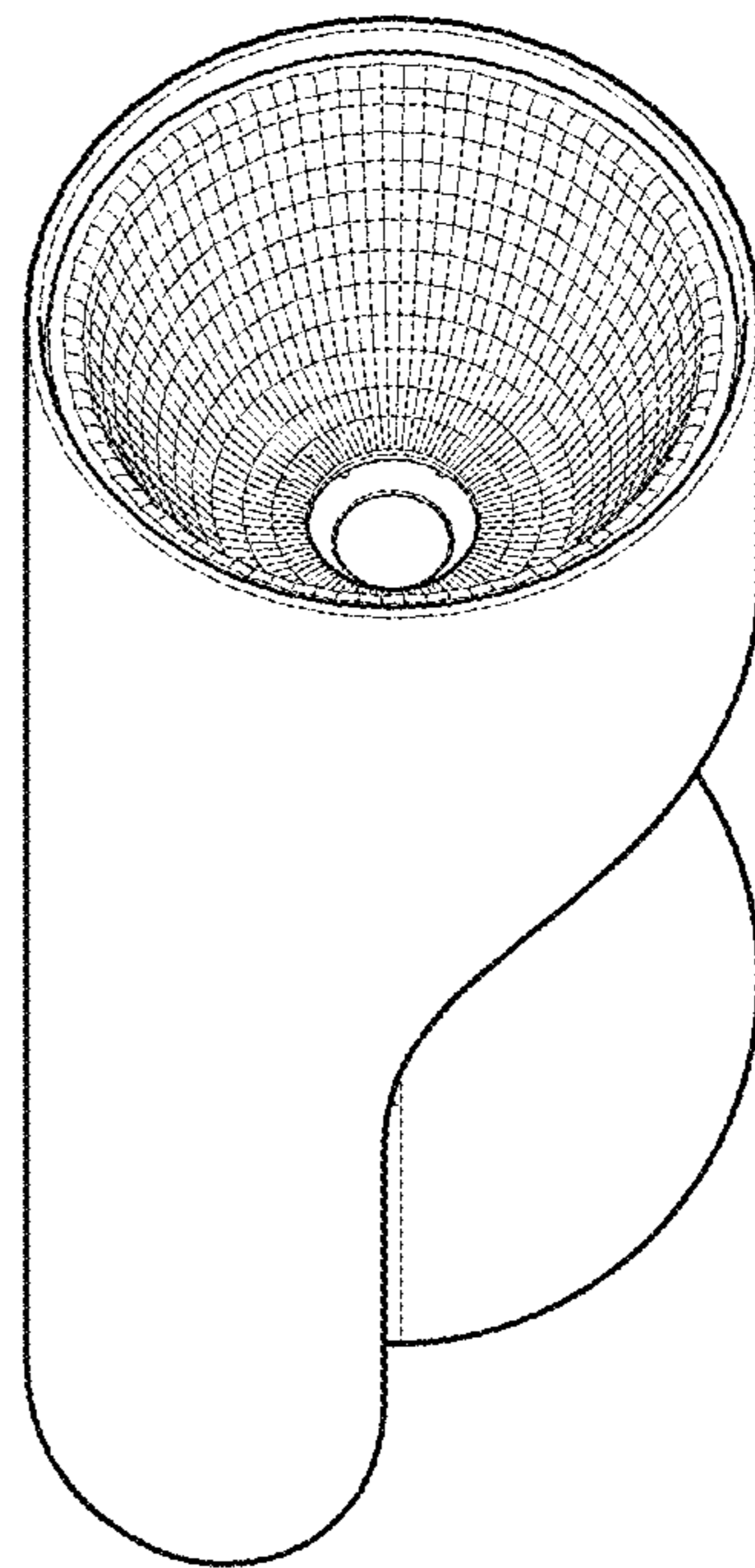
1.4



1.5



1.6



1.7