



US00D821623S

(12) **United States Design Patent**
Grawemeyer

(10) **Patent No.:** **US D821,623 S**

(45) **Date of Patent:** **** Jun. 26, 2018**

(54) **BICYCLE LIGHT ASSEMBLY**

(71) Applicant: **William Warren Grawemeyer,**
Denver, CO (US)

(72) Inventor: **William Warren Grawemeyer,**
Denver, CO (US)

(**) Term: **15 Years**

(21) Appl. No.: **29/619,314**

(22) Filed: **Sep. 28, 2017**

(51) **LOC (11) Cl.** **26-03**

(52) **U.S. Cl.**
USPC **D26/60**

(58) **Field of Classification Search**
USPC D26/28, 60-63
CPC B62J 6/001; B62J 6/02; B62J 6/003; F21S
4/00; F21V 21/00
See application file for complete search history.

(56) **References Cited**

U.S. PATENT DOCUMENTS

D608,485 S * 1/2010 Liao D26/60
D697,244 S * 1/2014 McKechnie D26/60

D737,487 S * 8/2015 Beckett D26/28
D810,339 S * 2/2018 Peng D26/60
D814,677 S * 4/2018 Sukphisit D26/60

* cited by examiner

Primary Examiner — Brian N Vinson
(74) *Attorney, Agent, or Firm* — Reilly Intellectual
Property Law Firm

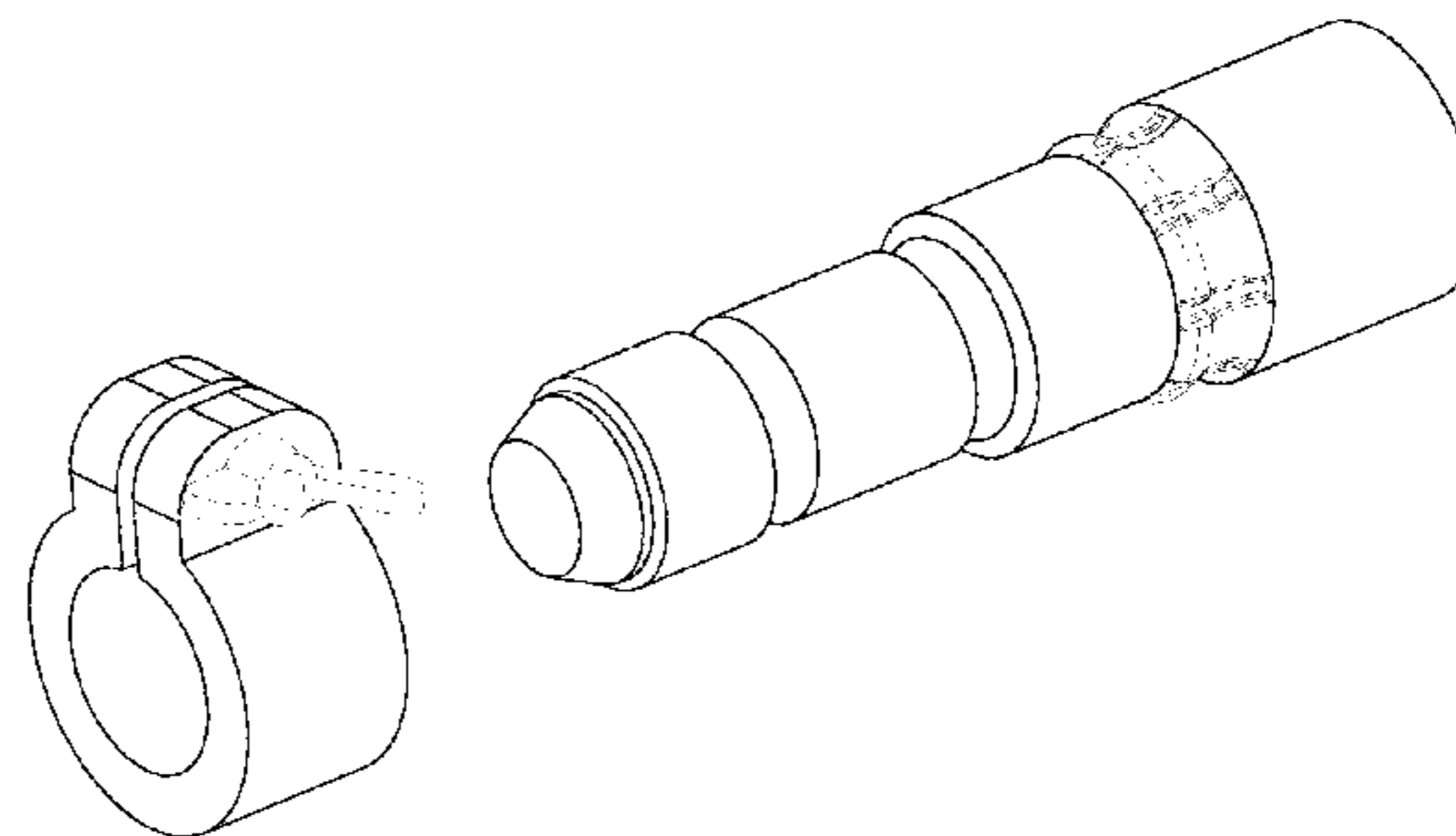
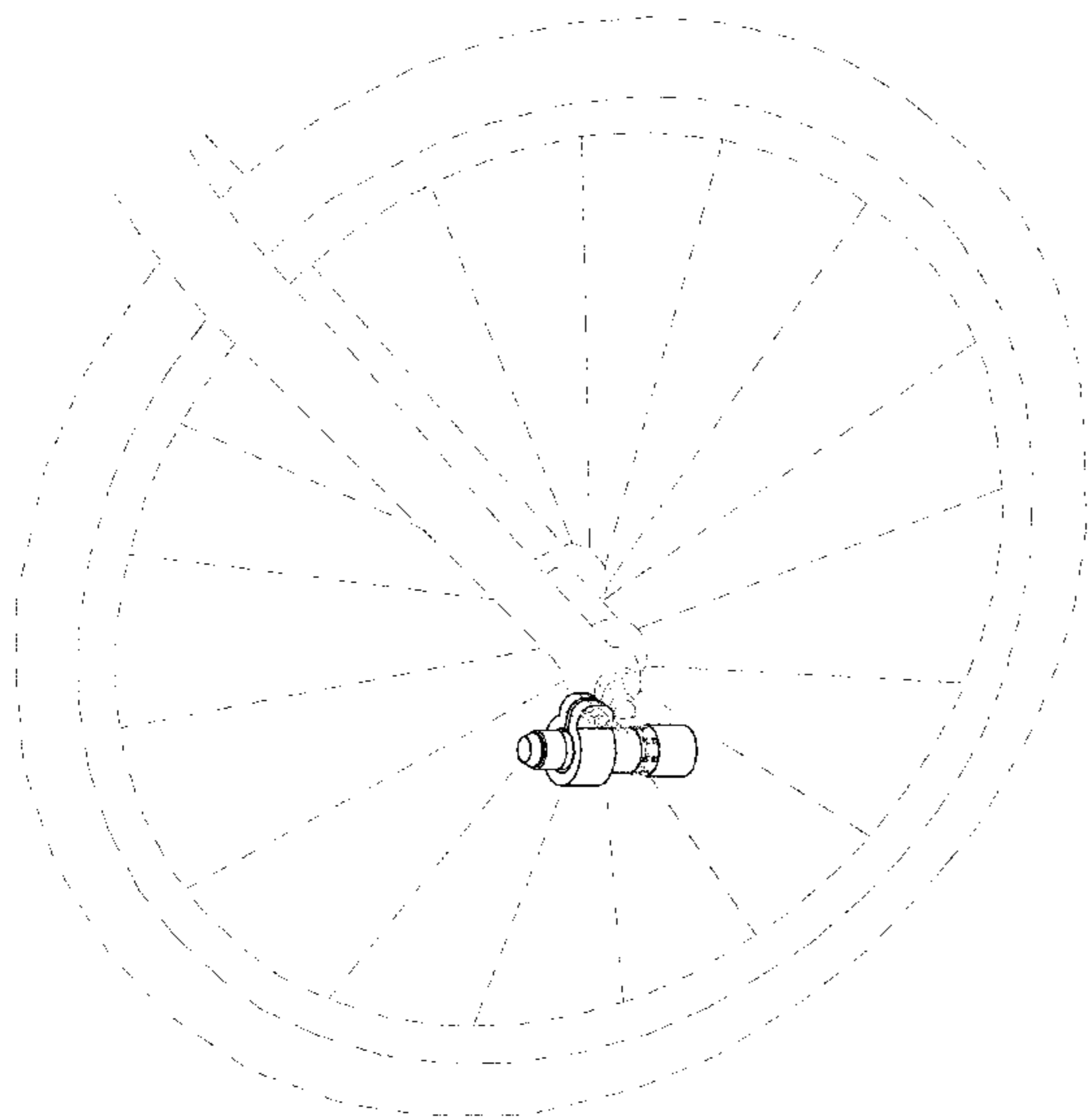
(57) **CLAIM**

The ornamental design for a bicycle light assembly, as shown and described.

DESCRIPTION

FIG. 1 is a perspective view of my design;
FIG. 2 is an exploded view;
FIG. 3 is a top view;
FIG. 4 is a side view;
FIG. 5 is a front view;
FIG. 6 is a bottom view;
FIG. 7 is a rear view; and,
FIG. 8 is an opposite side view of FIG. 4.

1 Claim, 4 Drawing Sheets



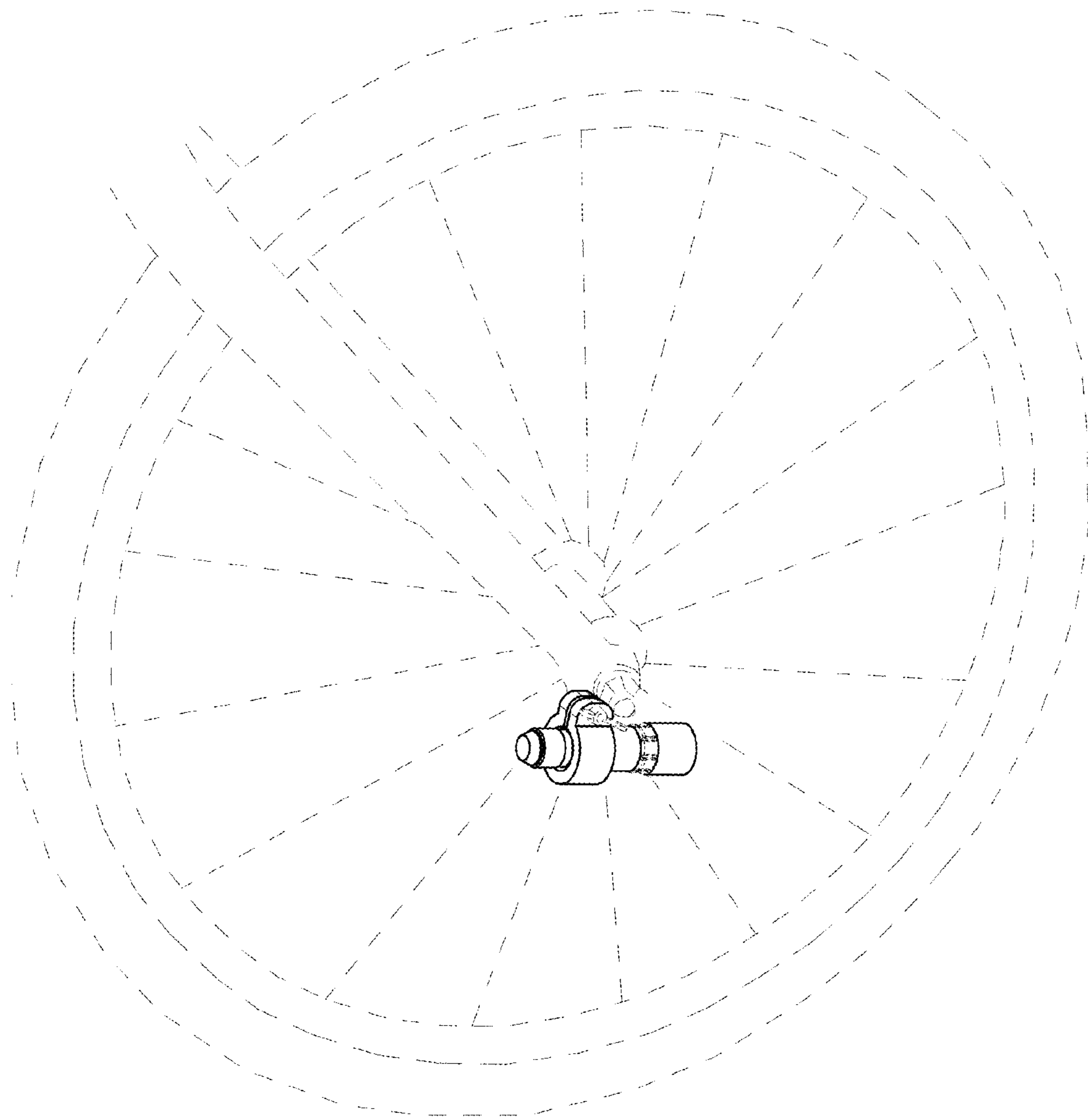
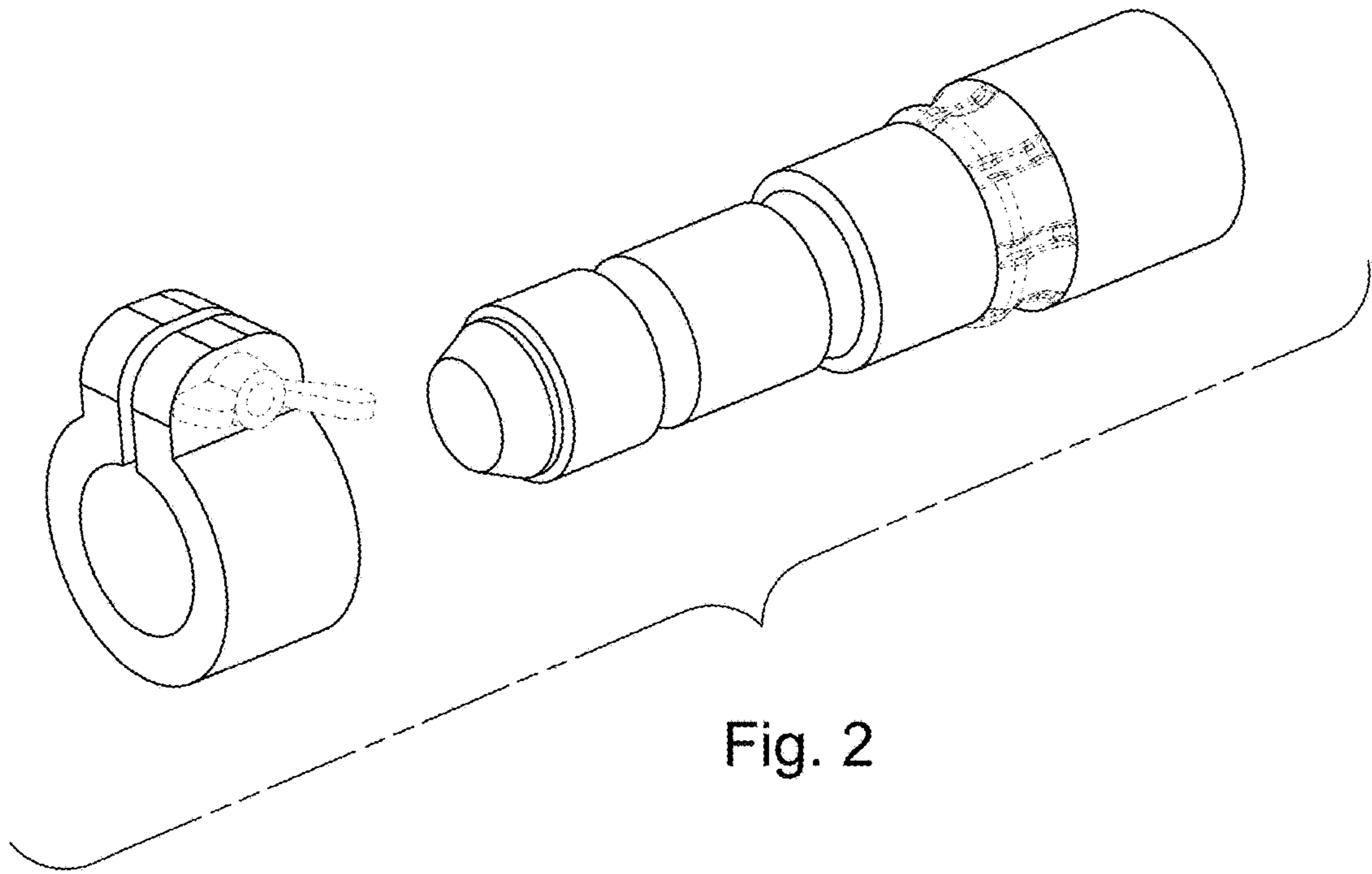


Fig. 1



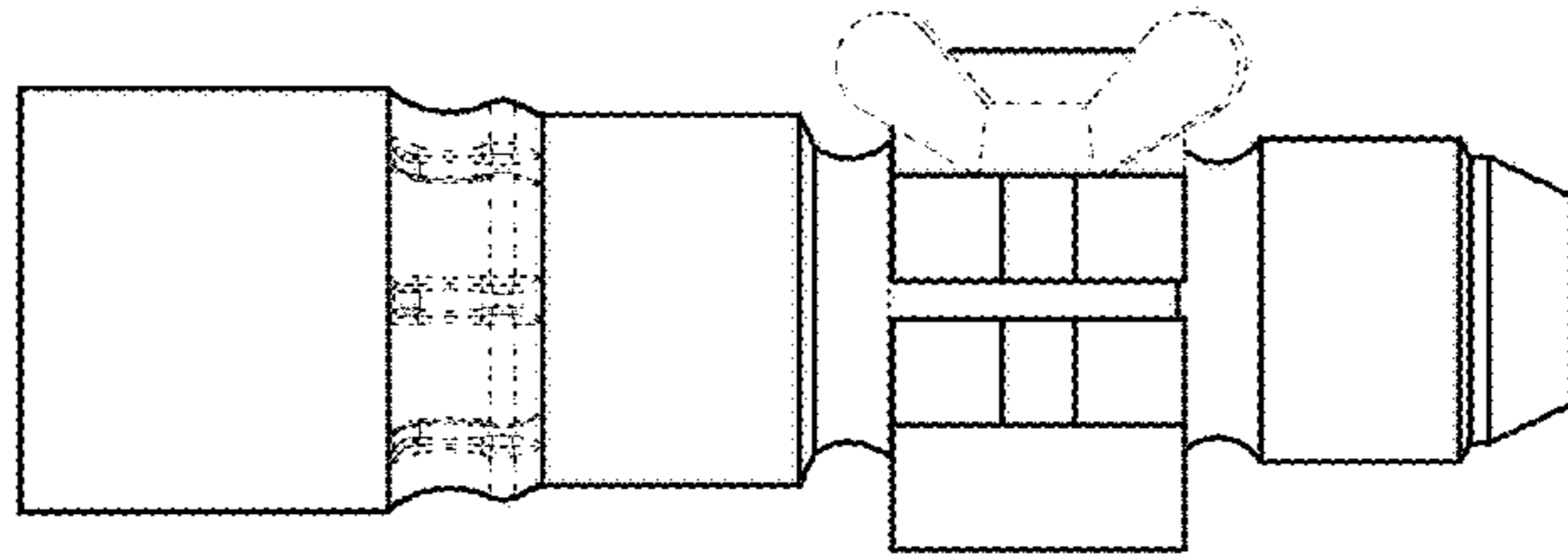


Fig. 3

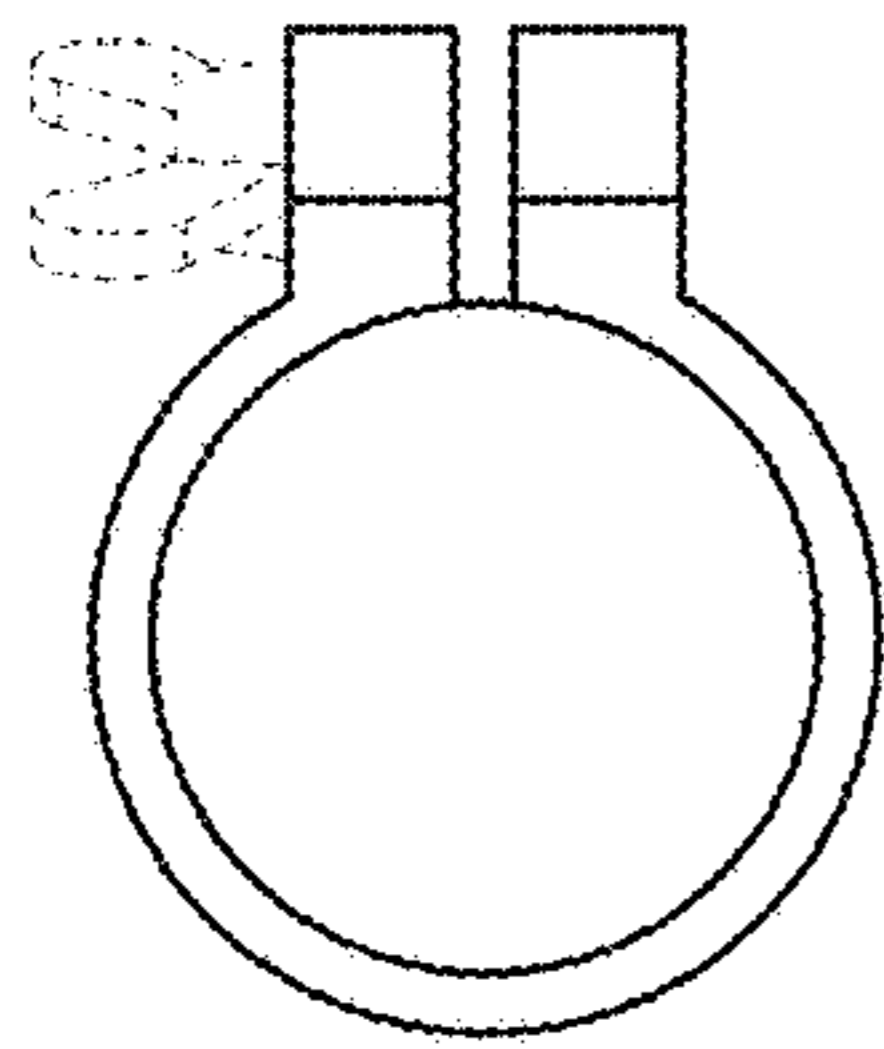


Fig. 5

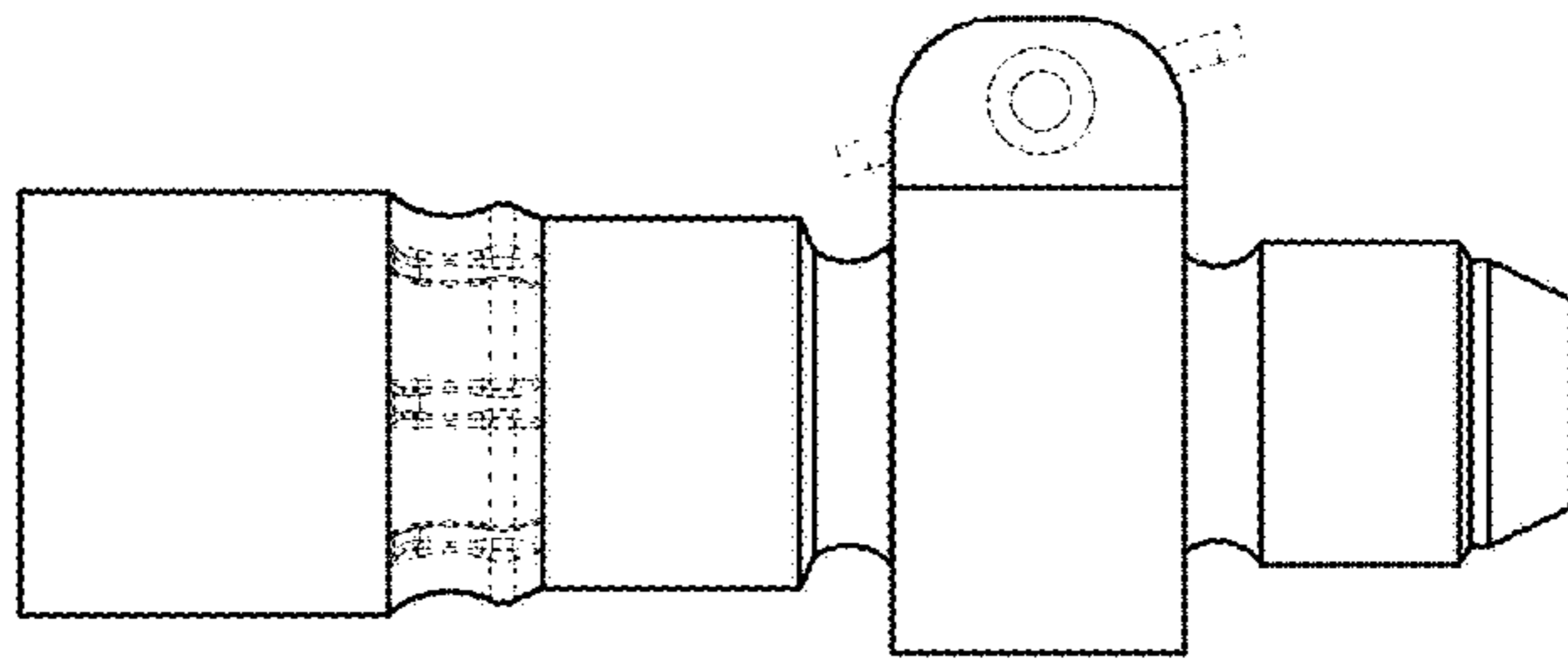


Fig. 4

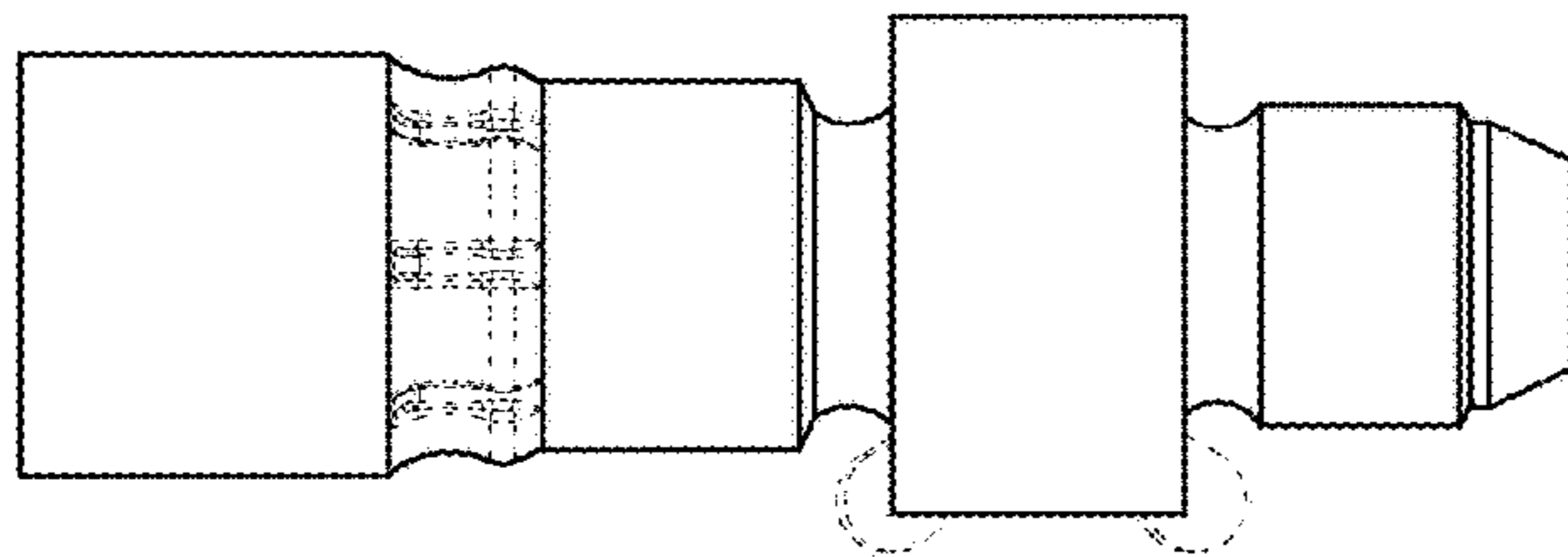


Fig. 6

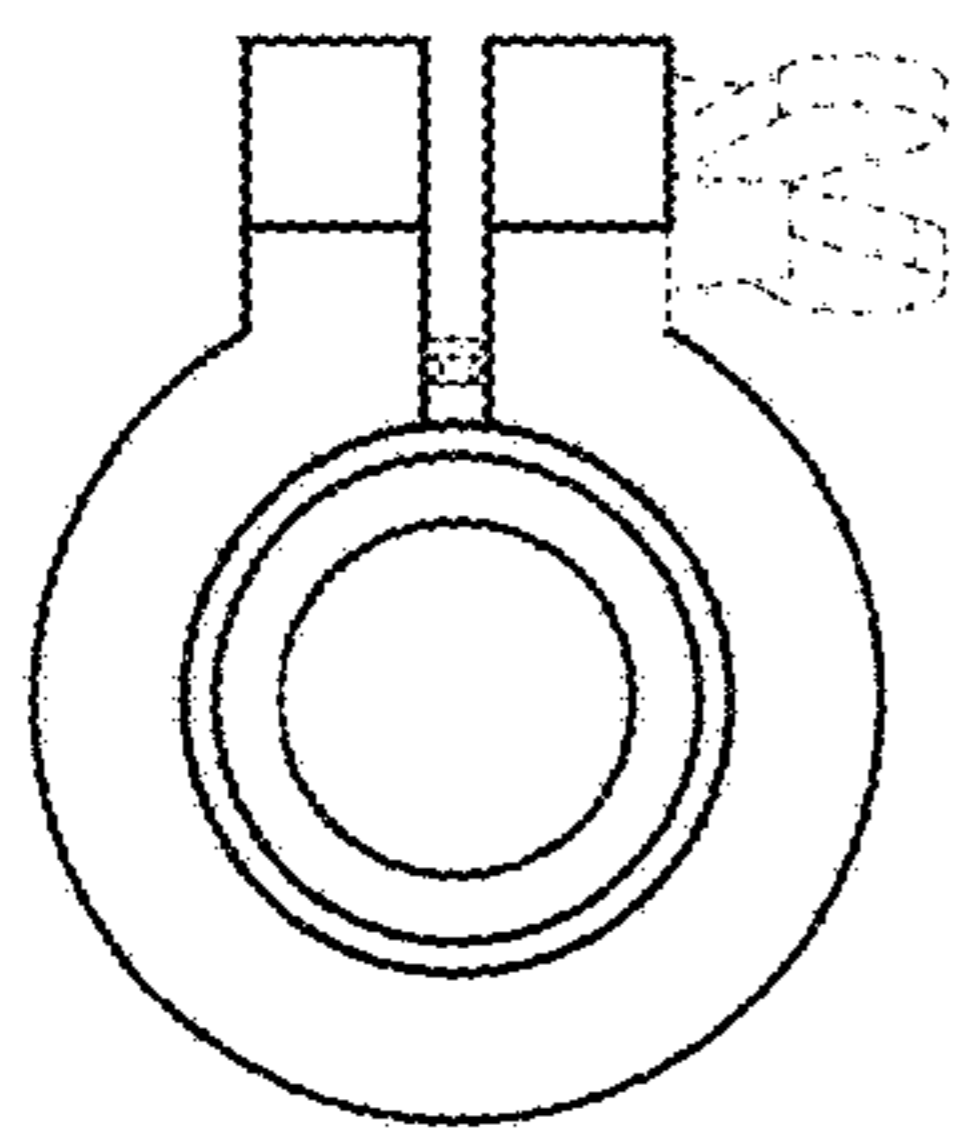


Fig. 7

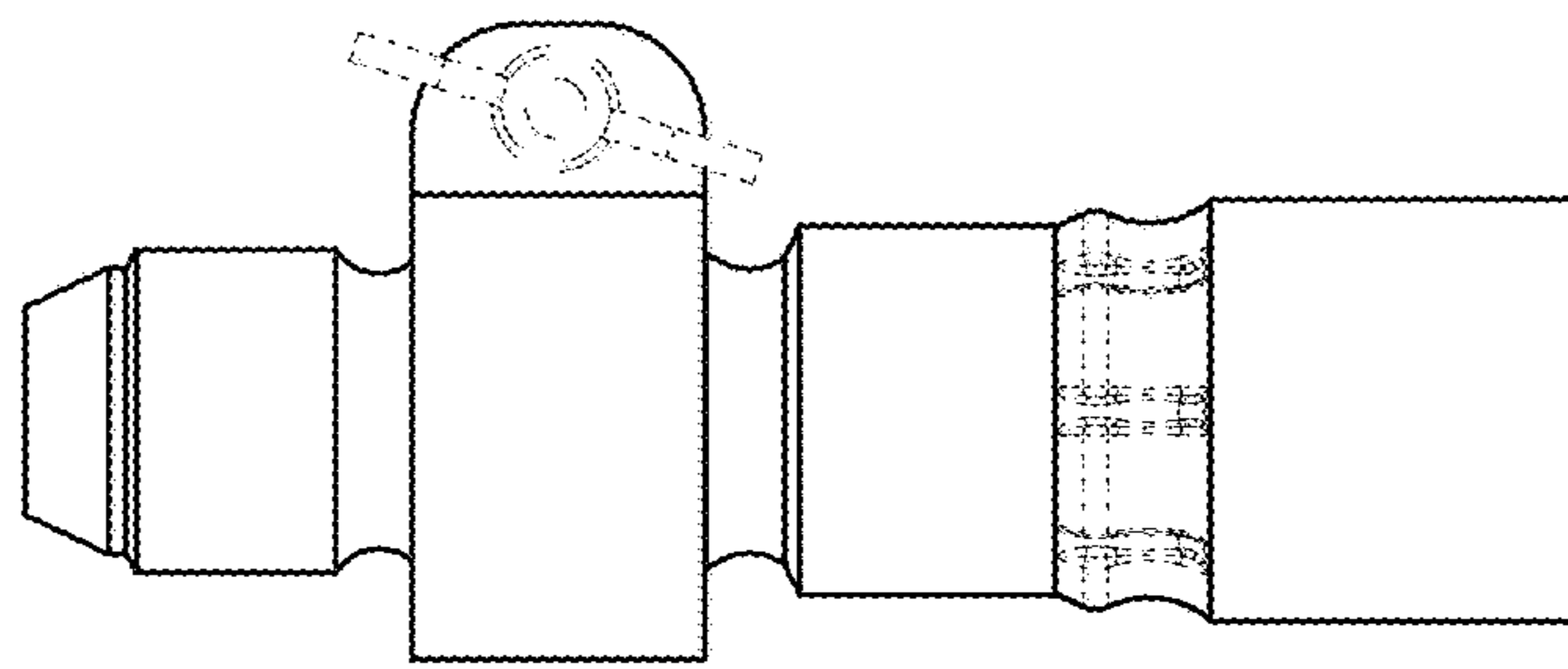


Fig. 8