



US00D821622S

(12) **United States Design Patent**
Badarello et al.

(10) **Patent No.:** **US D821,622 S**

(45) **Date of Patent:** **** Jun. 26, 2018**

(54) **CEILING FAN LIGHT KIT**

(71) Applicant: **HUNTER FAN COMPANY**,
Memphis, TN (US)

(72) Inventors: **Christophe Badarello**, Holly Springs,
MS (US); **Christine Holmes**, Memphis,
TN (US)

(73) Assignee: **Hunter Fan Company**, Memphis, TN
(US)

(**) Term: **15 Years**

(21) Appl. No.: **29/612,609**

(22) Filed: **Aug. 2, 2017**

Related U.S. Application Data

(62) Division of application No. 29/557,288, filed on Mar.
8, 2016, now Pat. No. Des. 798,432.

(51) **LOC (11) Cl.** **26-05**

(52) **U.S. Cl.**
USPC **D26/59**; D26/89; D26/118; D26/125

(58) **Field of Classification Search**
USPC D23/335-337, 355, 370-385, 411-414;
D26/59, 67, 72, 80-89, 92, 94, 98, 101,
D26/104-105, 110, 113, 118-119, 125,
D26/120, 122-124
CPC F04D 25/088; F21V 33/0096; F21V 21/03;
F21V 17/002; F21V 23/007; F21V 23/04;
F21V 23/0485; F21V 15/01; F21V
19/006; F21V 19/04; F21V 21/02; F21V
23/002; F21V 23/005; F21V 33/0052;
F21V 7/22

See application file for complete search history.

(56) **References Cited**

U.S. PATENT DOCUMENTS

D45,313 S * 2/1914 Schoenhardt D26/88
1,090,795 A * 3/1914 Schoenhardt F21V 3/00
362/355

D59,852 S * 11/1921 Meadoff D26/127
D64,381 S * 4/1924 Yoshida D23/328
D324,924 S * 3/1992 Bengochea D26/77
5,586,867 A * 12/1996 Mehlos F04D 25/088
416/170 R

D389,566 S 1/1998 Jaspers-Fayer
(Continued)

OTHER PUBLICATIONS

<http://www.kichler.com/products/product/54-inch-porters-lake-fan-mdw-310110mdw.aspx>, 54 Inch Porters Lake Fan MDW, 310110MDW, accessed Mar. 8, 2016.

(Continued)

Primary Examiner — Cathron C Brooks

Assistant Examiner — Sharon S Oum

(74) *Attorney, Agent, or Firm* — McGarry Bair PC

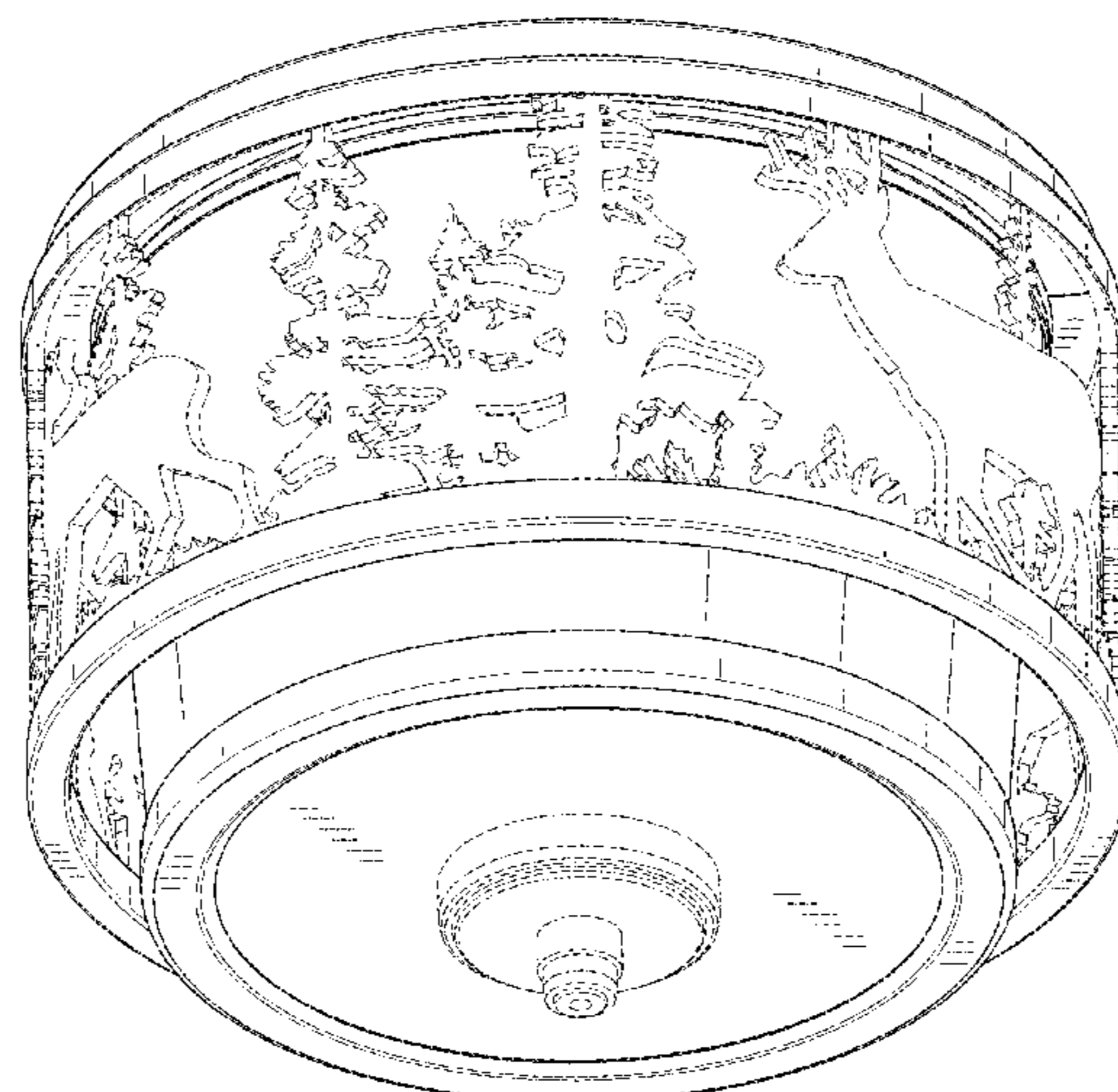
(57) **CLAIM**

The ornamental design for a ceiling fan light kit, as shown and described.

DESCRIPTION

FIG. 1 is a top perspective view of a ceiling fan light kit; FIG. 2 is a bottom perspective view of the ceiling fan light kit of FIG. 1; FIG. 3 is a top view of the ceiling fan light kit of FIG. 1; FIG. 4 is a bottom view of the ceiling fan light kit of FIG. 1; FIG. 5 is a front side view of the ceiling fan light kit of FIG. 1; FIG. 6 is a rear side view of the ceiling fan light kit of FIG. 1; FIG. 7 is a right side view of the ceiling fan light kit of FIG. 1; and, FIG. 8 is a left side view of the ceiling fan light kit of FIG. 1. The broken lines illustrate portions of the ceiling fan light kit that form no part of the claimed design.

1 Claim, 8 Drawing Sheets



(56)

References Cited

U.S. PATENT DOCUMENTS

5,975,848 A * 11/1999 Yu F21V 33/0096
 416/124
 D420,733 S * 2/2000 Chen D23/377
 D430,930 S * 9/2000 Zuege
 D464,722 S 10/2002 Sonneman
 D481,453 S 10/2003 Dye
 D485,348 S 1/2004 Stauffer
 D518,165 S 3/2006 Frampton et al.
 D520,625 S 5/2006 Tinen
 D522,123 S 5/2006 Tinen
 D536,435 S 2/2007 Tinen
 D547,483 S 7/2007 Pickett
 D583,498 S * 12/2008 Meyer D26/89
 D585,582 S * 1/2009 Campbell D26/118
 D585,583 S * 1/2009 Campbell D26/118
 D603,954 S * 11/2009 Curtin D23/411
 D603,955 S * 11/2009 Patton D23/411
 D604,448 S * 11/2009 Sabernig D26/89
 D605,331 S * 12/2009 Miranda D26/87
 D616,140 S * 5/2010 Habig D26/118
 D620,183 S * 7/2010 Sabernig D26/128
 D632,003 S * 2/2011 Jordan D26/88
 D636,522 S * 4/2011 Gutting D26/137
 D646,824 S * 10/2011 Bembridge D26/67
 D686,771 S * 7/2013 Lastimoso D26/88
 D710,490 S 8/2014 Shurtleff
 D767,112 S * 9/2016 Williams D23/386
 D771,795 S * 11/2016 Wang D23/411
 D771,796 S 11/2016 Wang
 9,488,343 B2 * 11/2016 Kaner F21V 17/002
 D798,432 S * 9/2017 Badarello D23/377

OTHER PUBLICATIONS

<http://www.kichler.com/products/product/52-inch-lacey-ceiling-fan-ap-300181ap.aspx>, Lacey Collection 52 Inch Lacey Ceiling Fan AP, 300181AP, accessed Mar. 8, 2016.
<http://ceilingfans.emerson.com/shop/en/fan/fan-s-all/fans-s-browse-all/amhurst-fan-p-cf880>, Amhurst, CF880BS, accessed Mar. 8, 2016.
<http://www.fanimation.com/products/index.php/fans/stafford.html>, Stafford, PL8274, accessed Mar. 8, 2016.
<http://www.kichler.com/products/product/52-inch-chicago-fan-tzg-300001tztg.aspx>, Chicago Collection 52 Inch Chicago Fan TZG, 300001TZG, accessed Mar. 8, 2016.
<http://www.montecarlofans.com/44067/54in-Tillbury-Weathered-Zinc-Fan-and-Light-Kit-5TLR54WZCD.html>, 54in Tillbury—Weathered Zinc—Fan and Light Kit, 5TLR54WZCD, accessed Mar. 8, 2016.
<http://www.quorumlightinglights.com/product/quorum-alta-indoor-ceiling-fans-58524-86.html>, Quorum International Alta 1 Light Ceiling Fan in Oiled Bronze with Walnut Blades, 58524-86, accessed Mar. 8, 2016.
<http://www.montecarlofans.com/44072/56in-Artizan-Roman-Bronze-5AZR56RB.html>, 56" Artizan—Roman Bronze, 5AZR56RB, accessed Mar. 8, 2016.
 NPL U—Vaxcel FN56305BBZ Yellowstone Ceiling Fan, 56", Burnished Bronze Finish, date first available Apr. 11, 2008, amazon.com, site visited Jul. 3, 2017, Copyright (c) 1996-2017, Available from Internet, https://www.amazon.com/Vaxcel-FN56305BBZ-Yellowstone-Ceiling-Burnished/dp/B001ARAWGE/ref=sr_1_1?ie=UTF8&qid=1498064995&.
 NPL V—Cedar Ridge—52" Ceiling Fan, date first available unknown, hunterfan.com, site visited Jul. 3, 2017, Copyright (c) 2017, Available from Internet, <http://www.hunterfan.com/ceiling-Fans/Cedar-Ridge?ModelNumber=59200>.

* cited by examiner

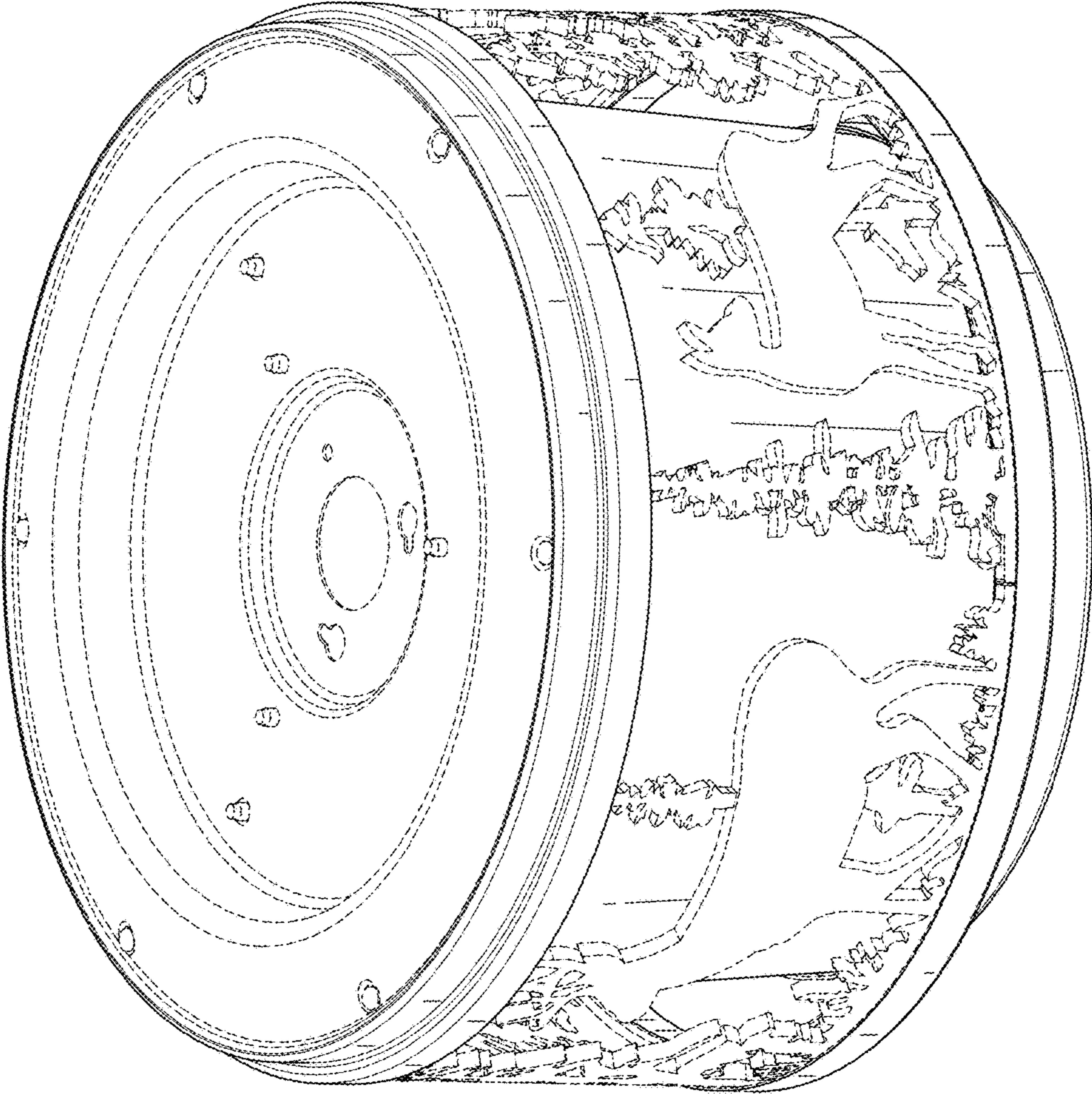


FIG. 1

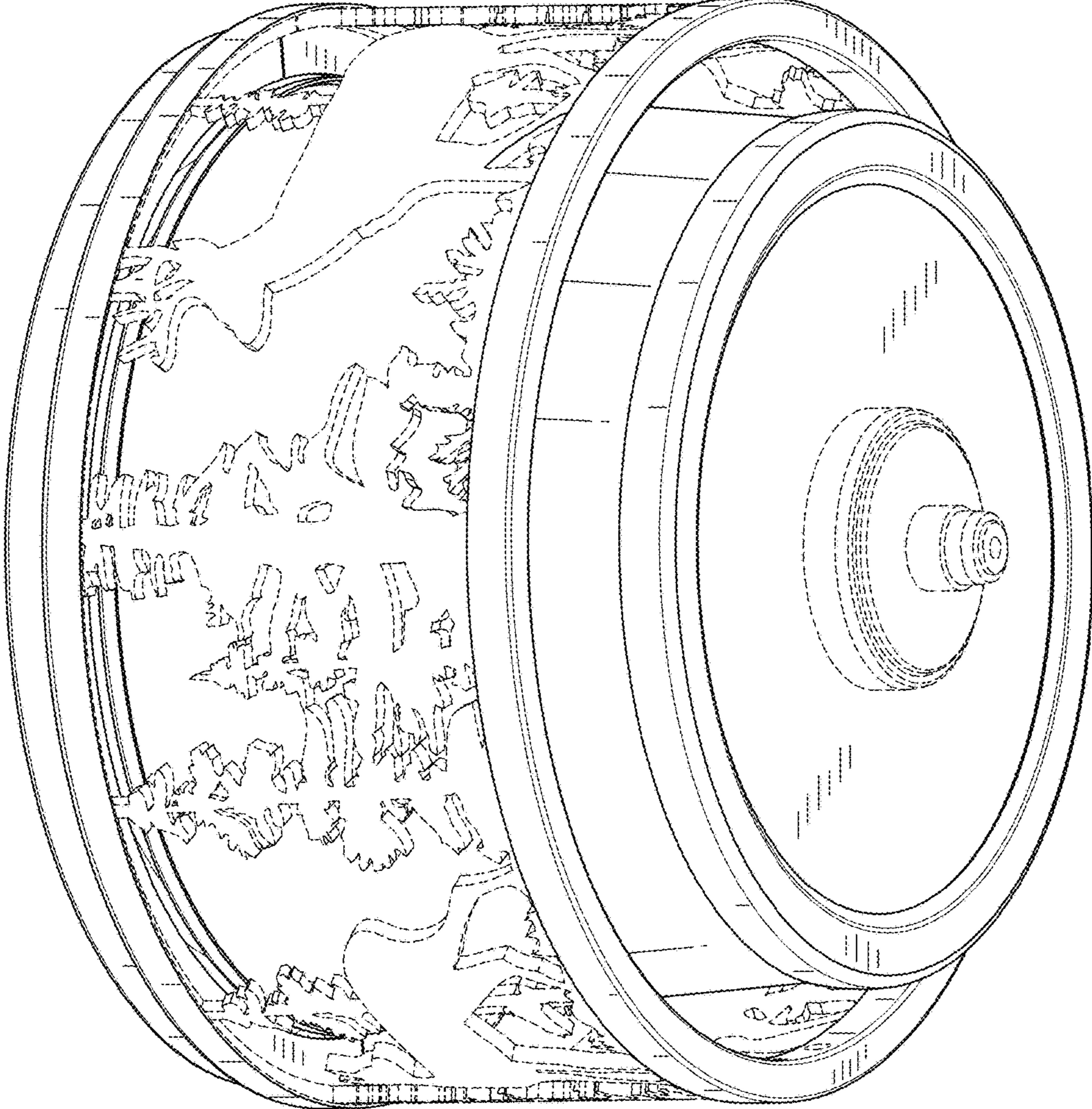


FIG. 2

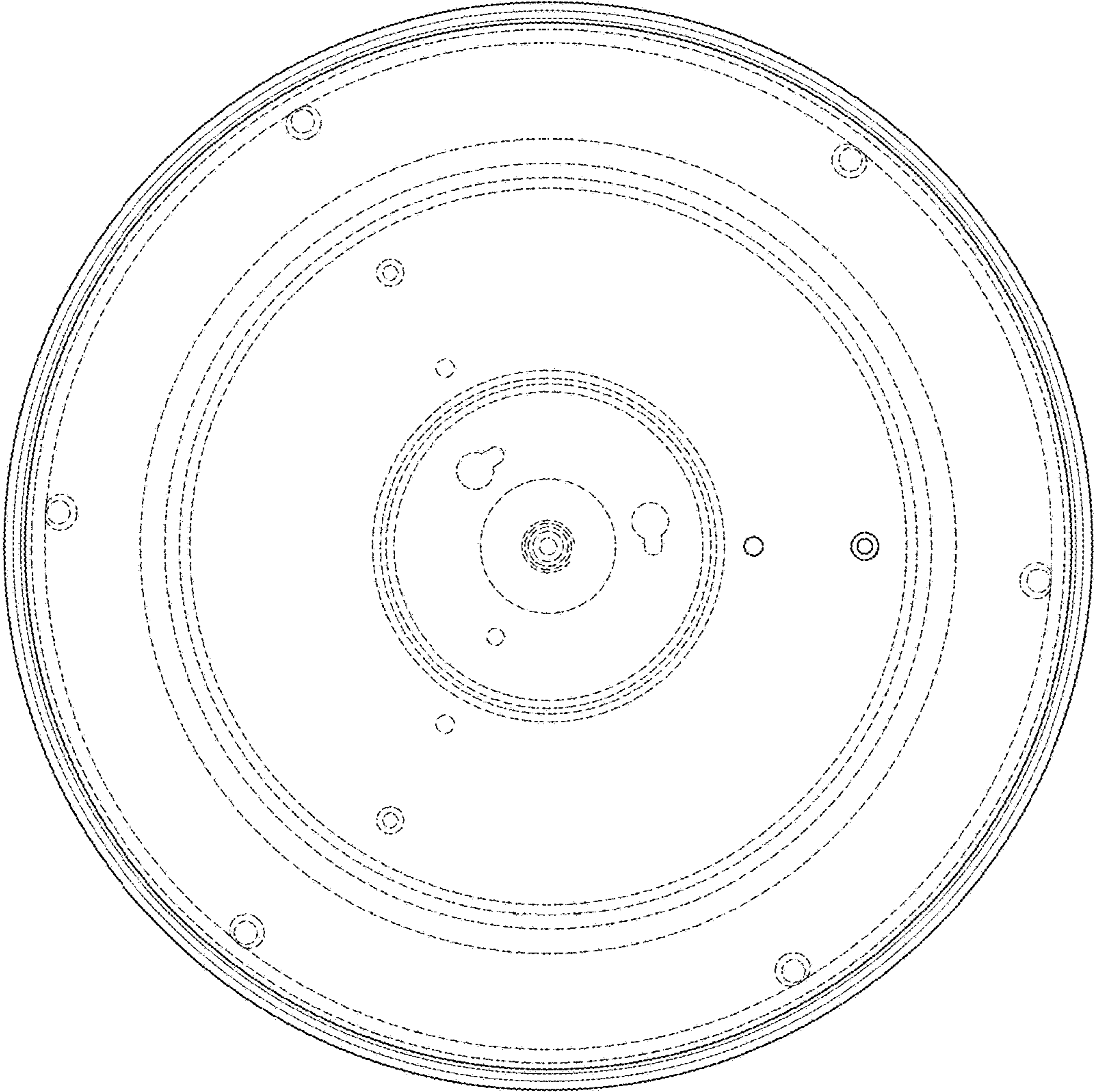


FIG. 3

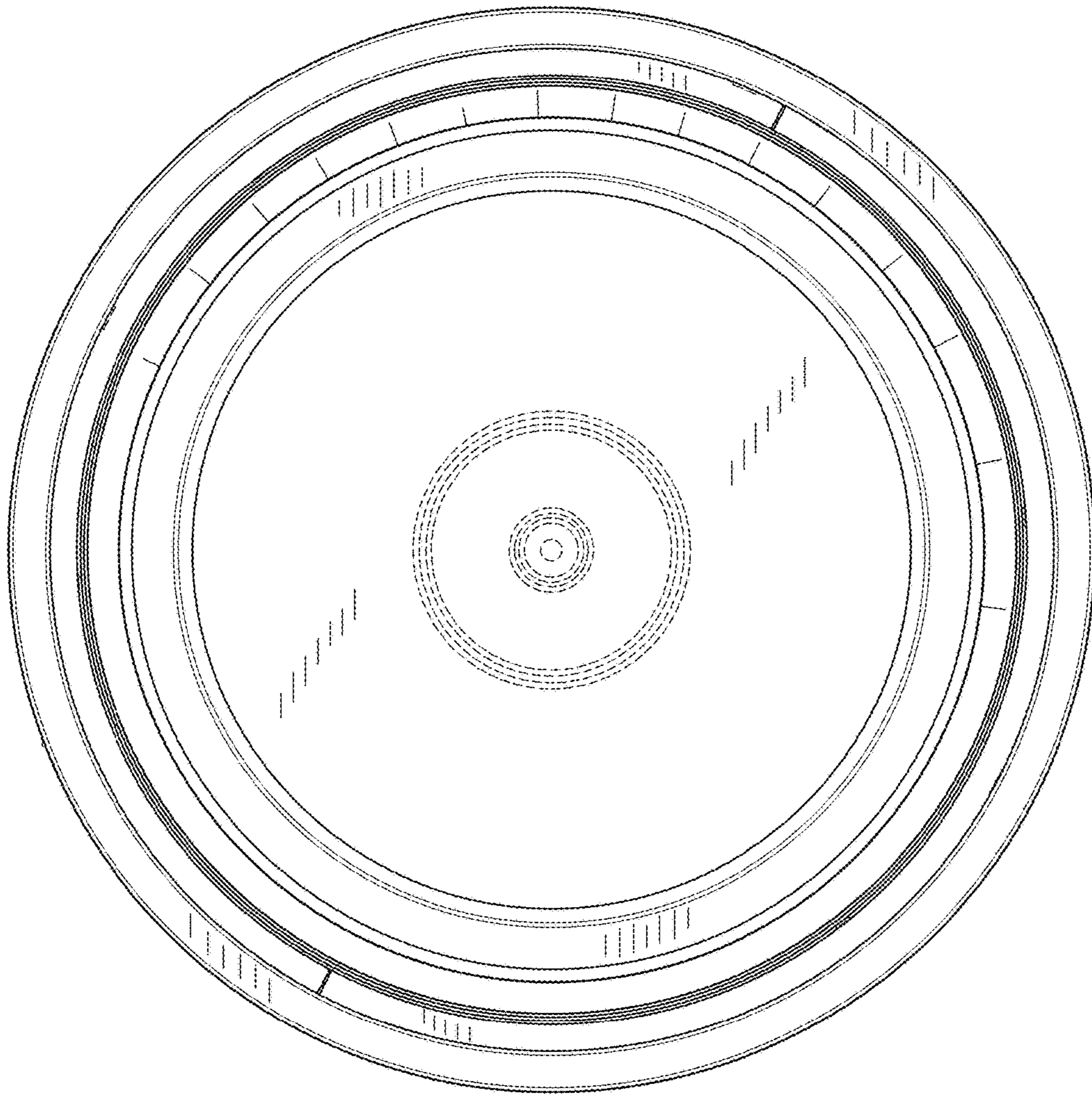


FIG. 4

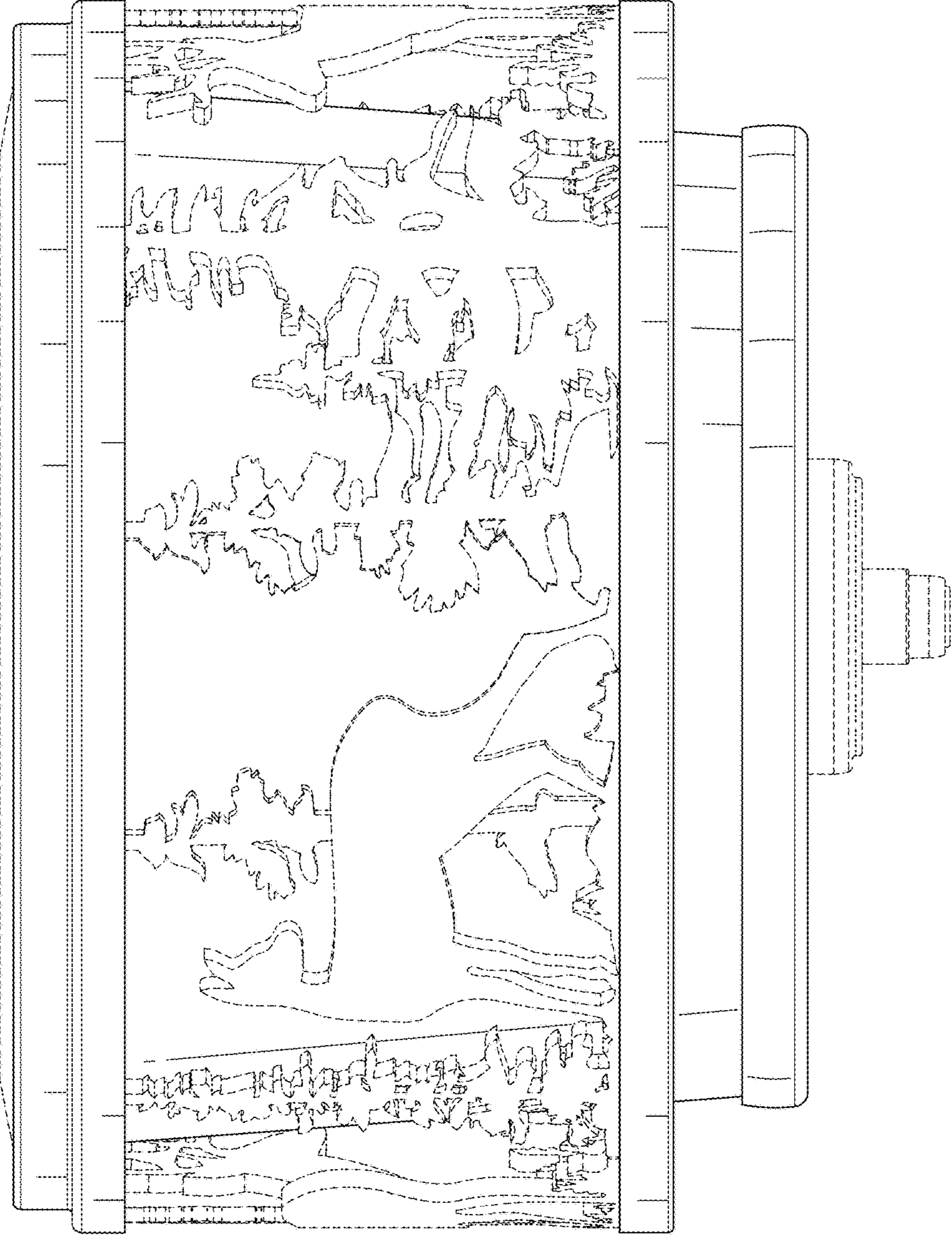


FIG. 5

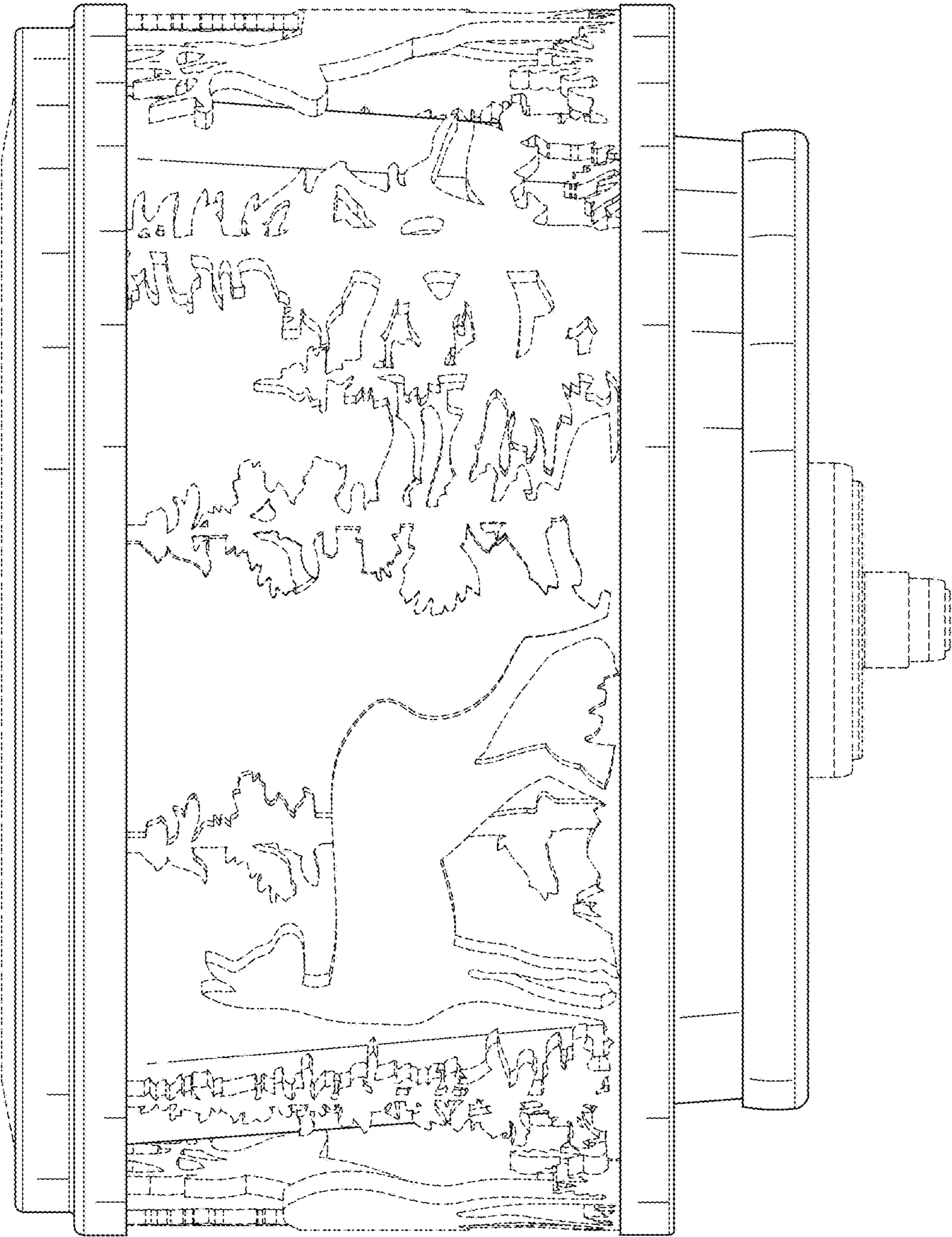


FIG. 6

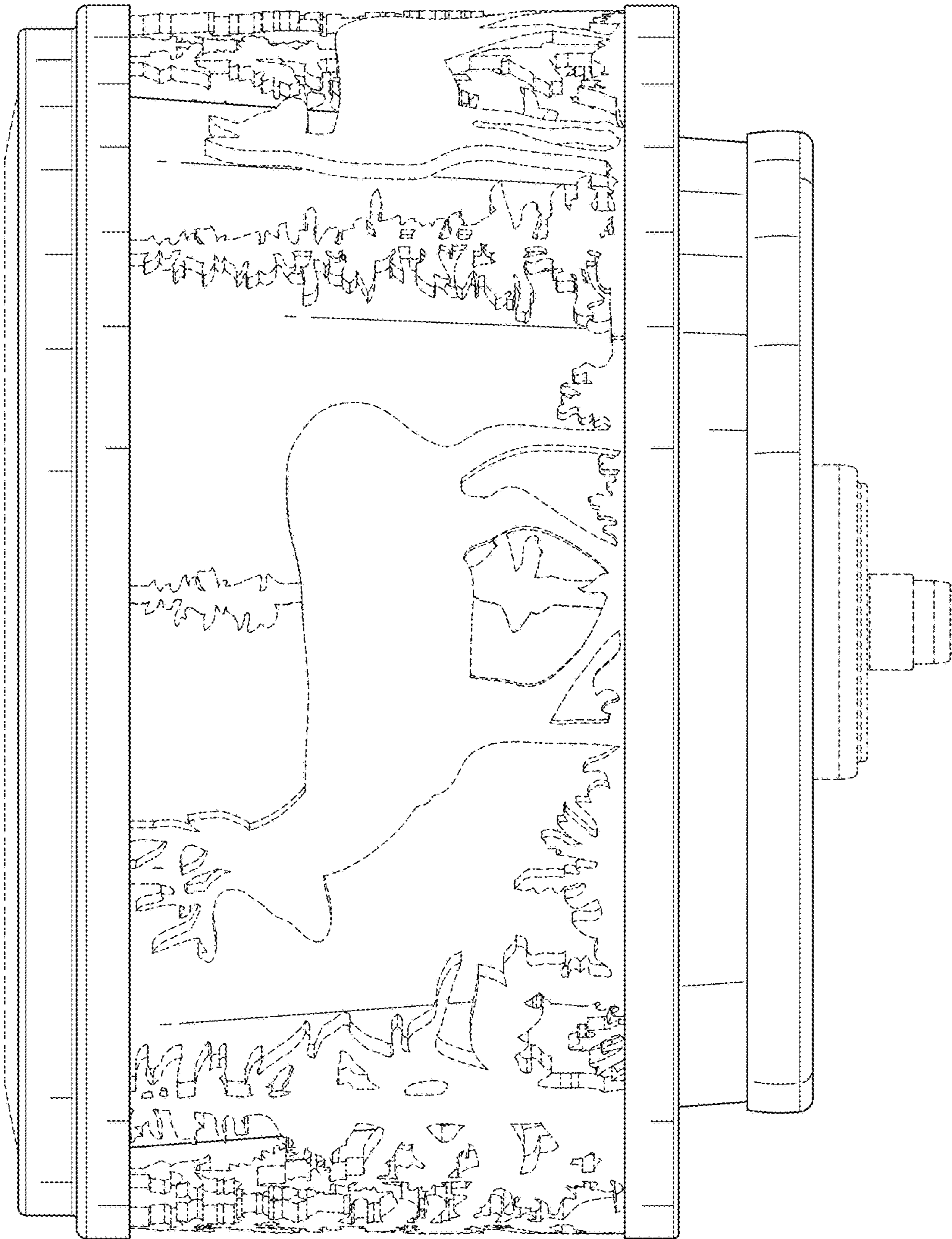


FIG. 7

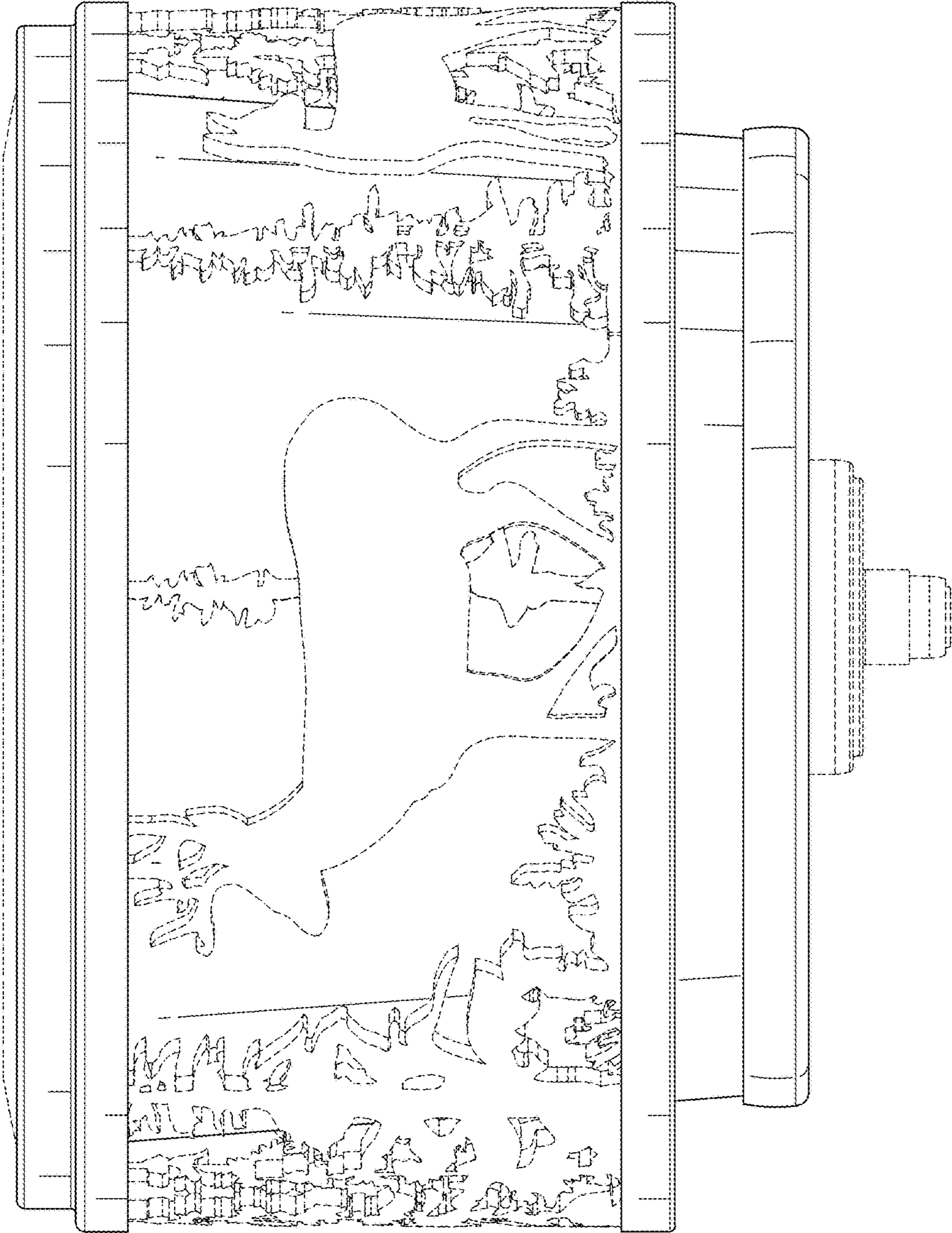


FIG. 8