



US00D821621S

(12) **United States Design Patent**
Noble

(10) **Patent No.:** **US D821,621 S**

(45) **Date of Patent:** **** Jun. 26, 2018**

(54) **BAG LIGHT**

(71) Applicant: **Custom LeatherCraft MFG. LLC,**
South Gate, CA (US)

(72) Inventor: **Matthew D. Noble,** Los Angeles, CA
(US)

(73) Assignee: **Custom LeatherCraft MFG., LLC,**
South Gate, CA (US)

(**) Term: **15 Years**

(21) Appl. No.: **29/601,502**

(22) Filed: **Apr. 23, 2017**

(51) **LOC (11) Cl.** **26-03**

(52) **U.S. Cl.**
USPC **D26/51; D26/60**

(58) **Field of Classification Search**
USPC D26/24, 51, 60
CPC F21V 33/00; F21V 14/025; F21V 21/406;
F21Y 2101/02; F21L 17/00; F21L 13/08;
A45C 15/06

See application file for complete search history.

(56) **References Cited**

U.S. PATENT DOCUMENTS

2,334,480 A * 11/1943 Cross A45C 15/06
362/156
D524,474 S * 7/2006 Lo D26/37

D542,453 S * 5/2007 Osiecki D26/37
D605,322 S * 12/2009 Lee D26/60
D633,635 S * 3/2011 Poon D26/60
D685,511 S * 7/2013 Wu D26/60
D697,244 S * 1/2014 McKechnie D26/60
D752,252 S * 3/2016 Ruthling D26/28

* cited by examiner

Primary Examiner — Brian N. Vinson

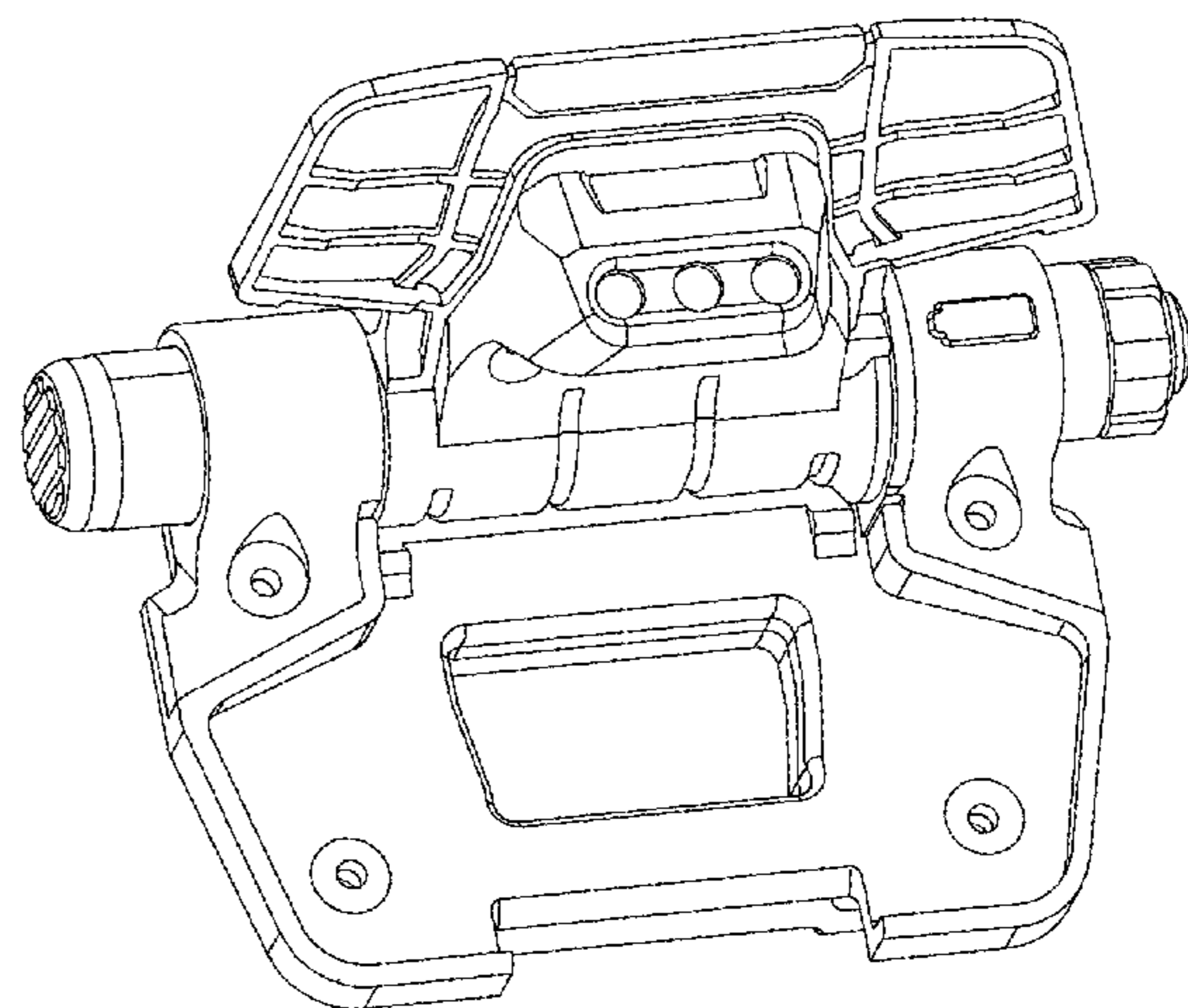
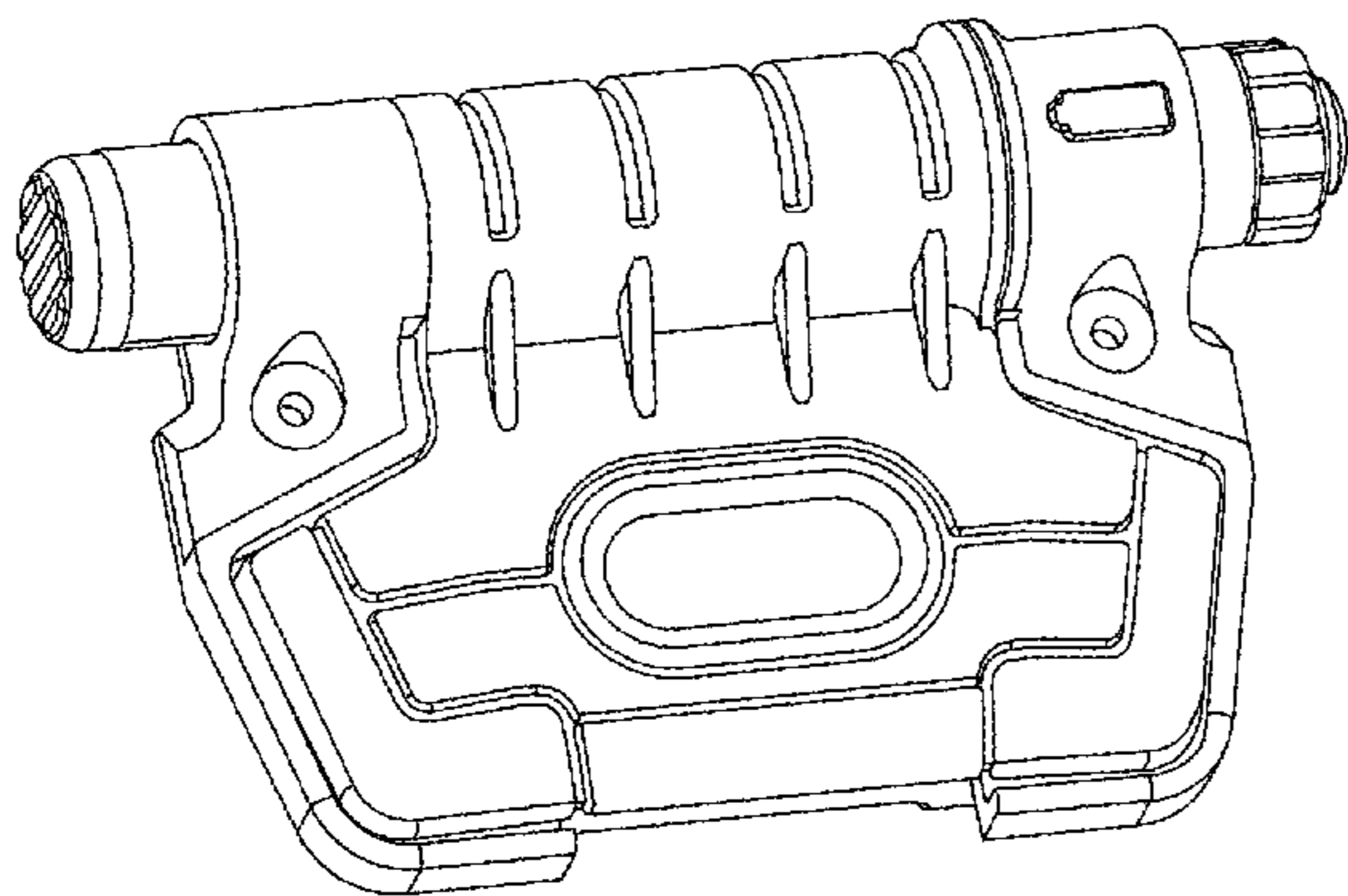
(57) **CLAIM**

The ornamental design for a bag light, as shown and described.

DESCRIPTION

FIG. 1 is a perspective view of a bag light showing my new design;
FIG. 2 is a front view of the bag light;
FIG. 3 is a left side view of the bag light;
FIG. 4 is a right side view of the bag light;
FIG. 5 is a rear view of the bag light;
FIG. 6 is a top view of the bag light;
FIG. 7 is a bottom view of the bag light; and,
FIG. 8 is a perspective view of the bag light shown in an opened state.

1 Claim, 8 Drawing Sheets



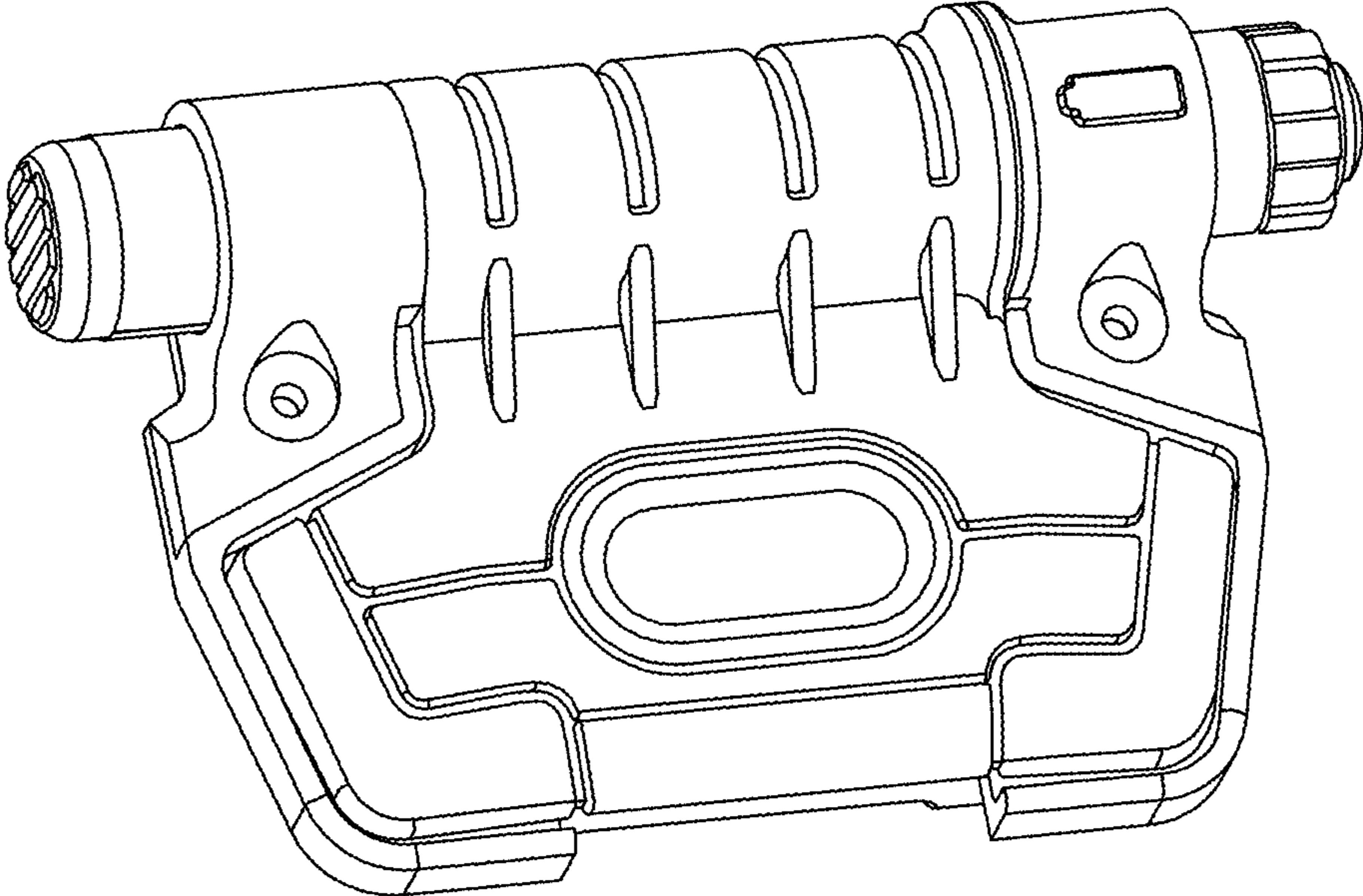


FIG. 1

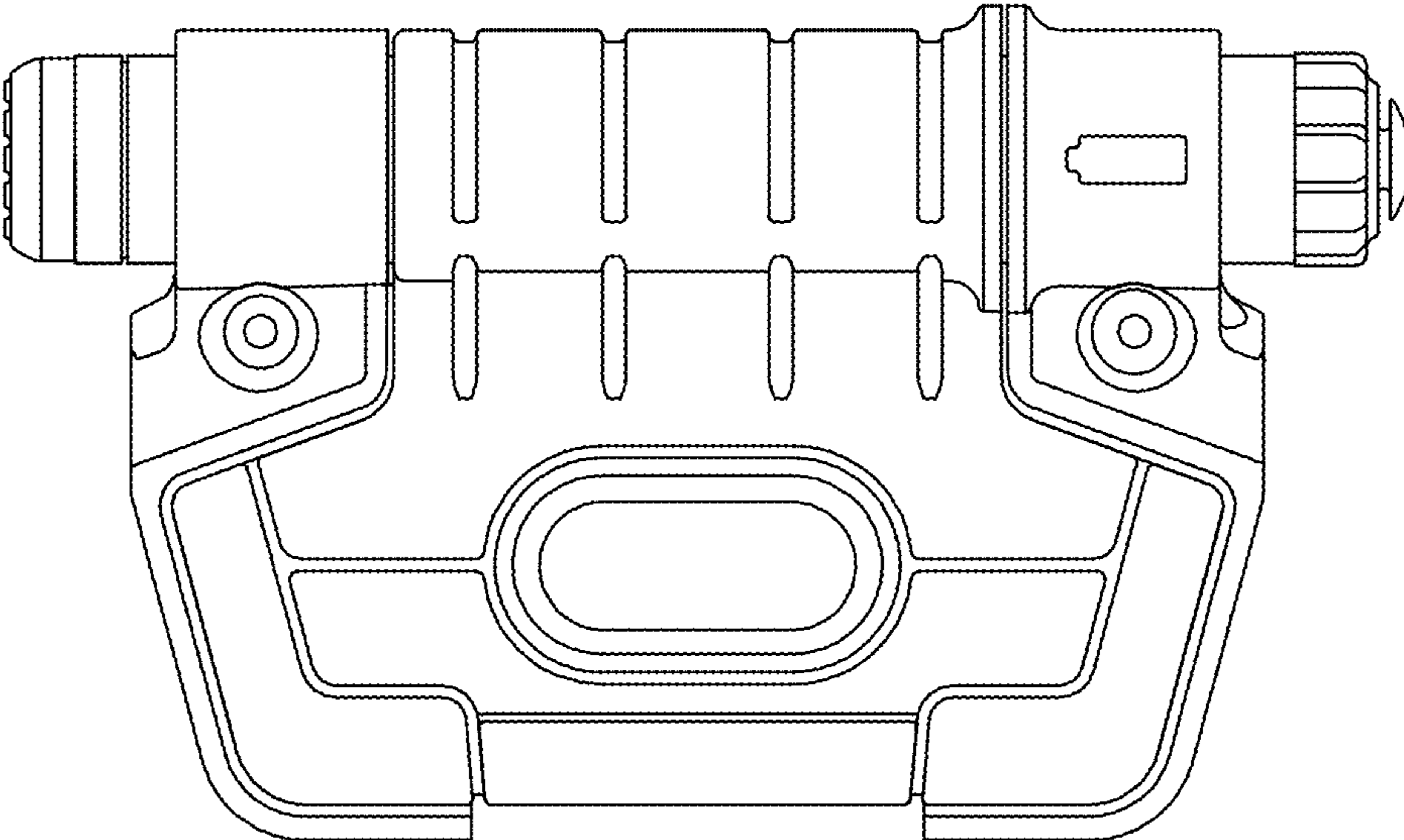


FIG. 2

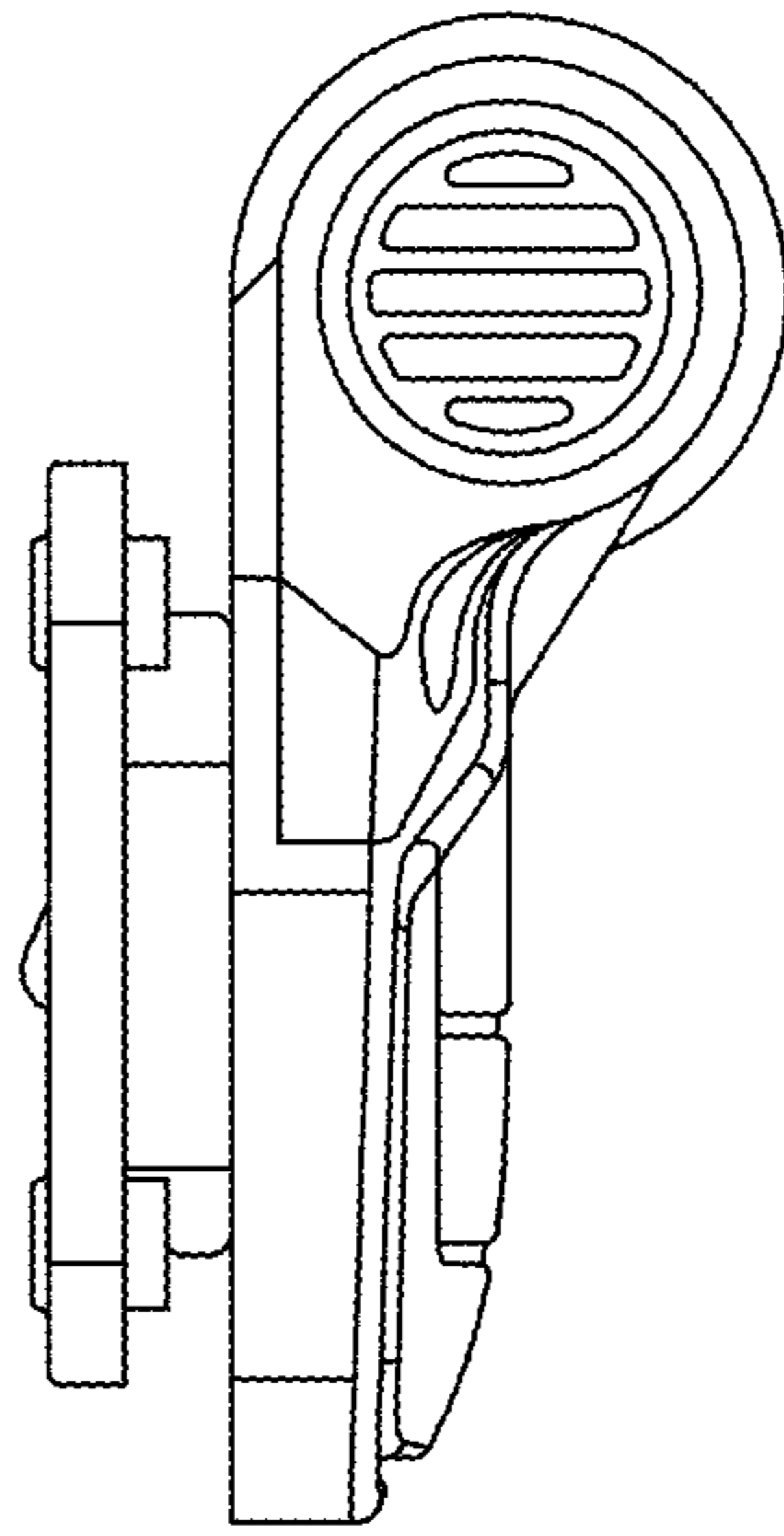


FIG. 3

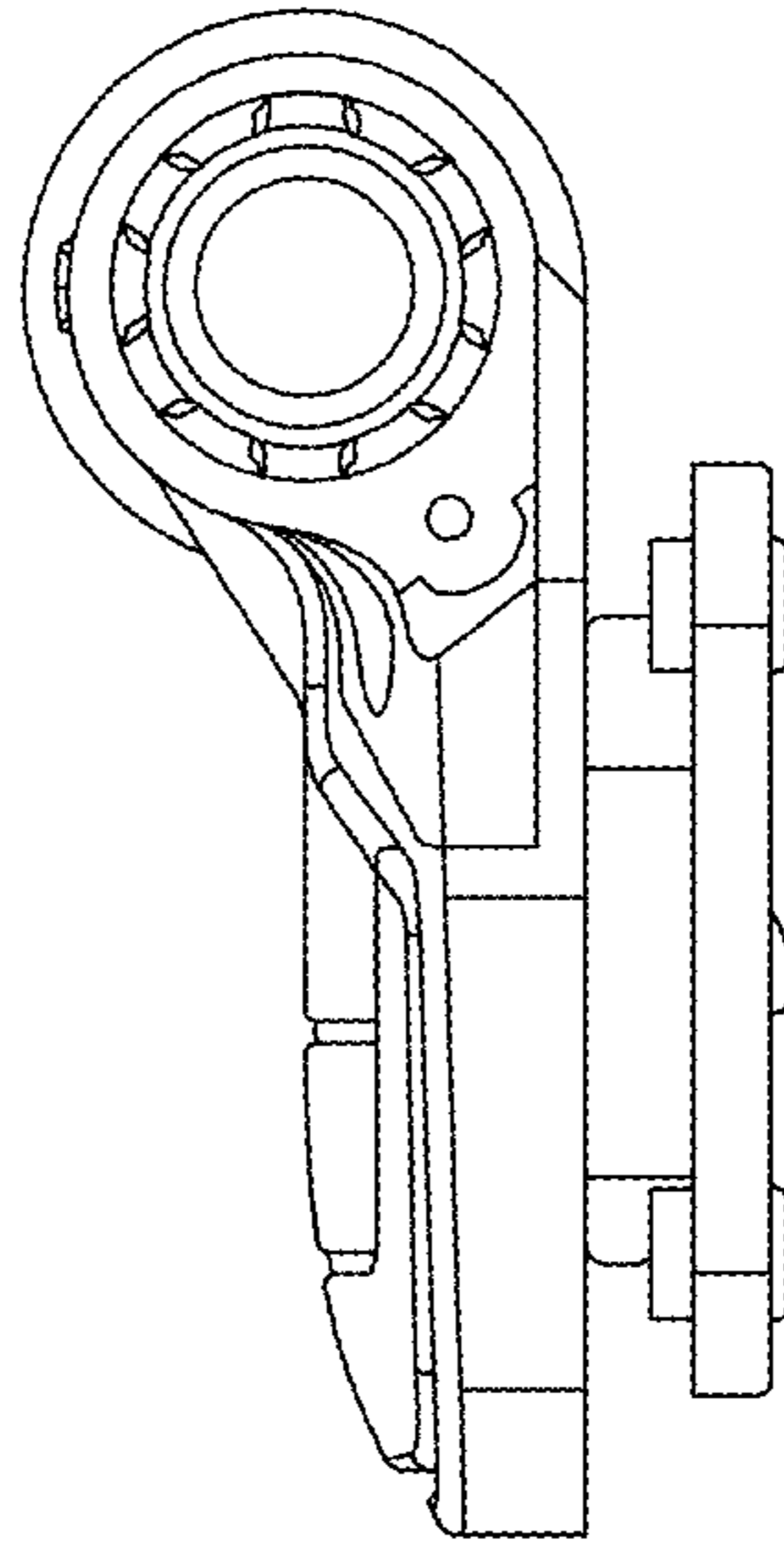


FIG. 4

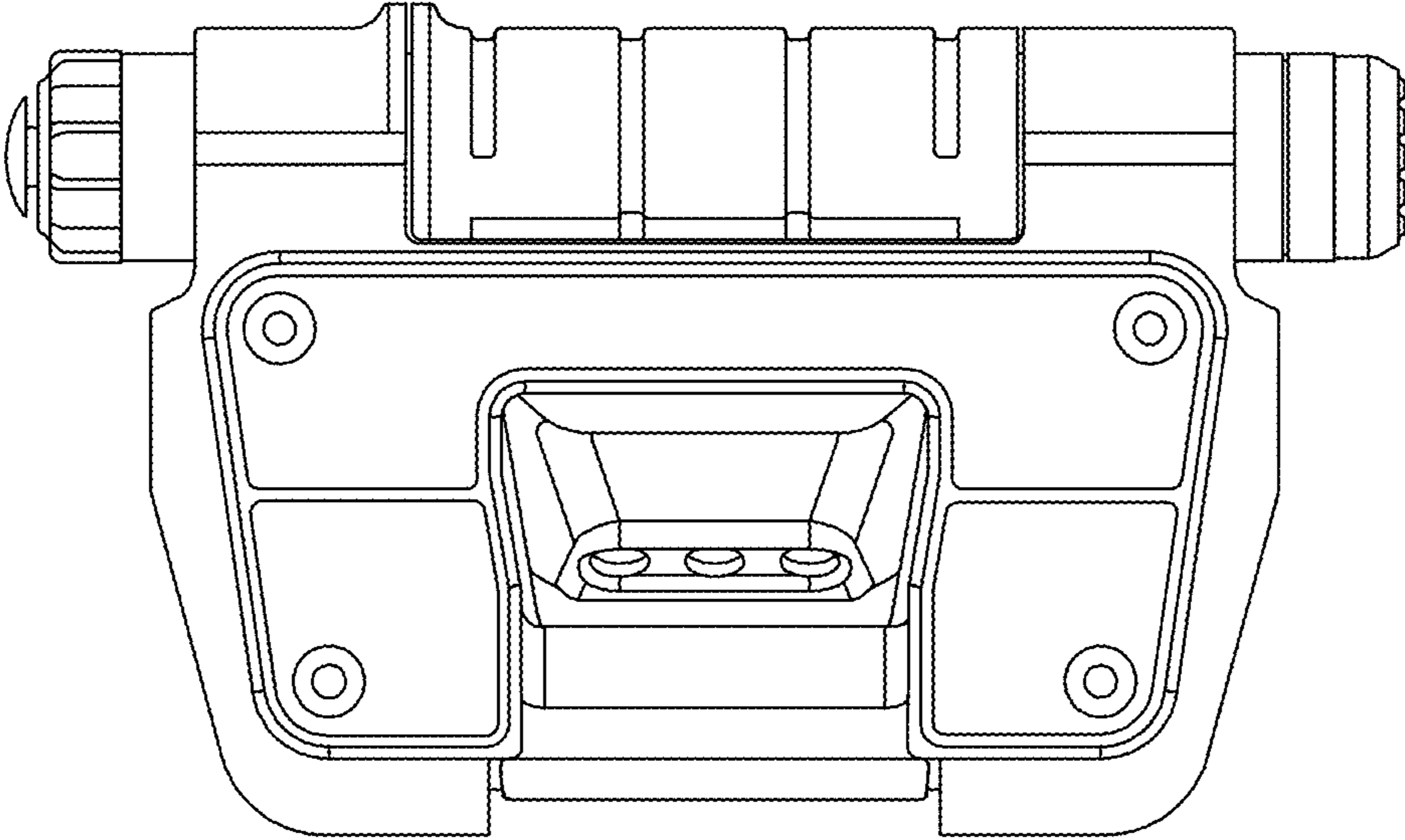


FIG. 5

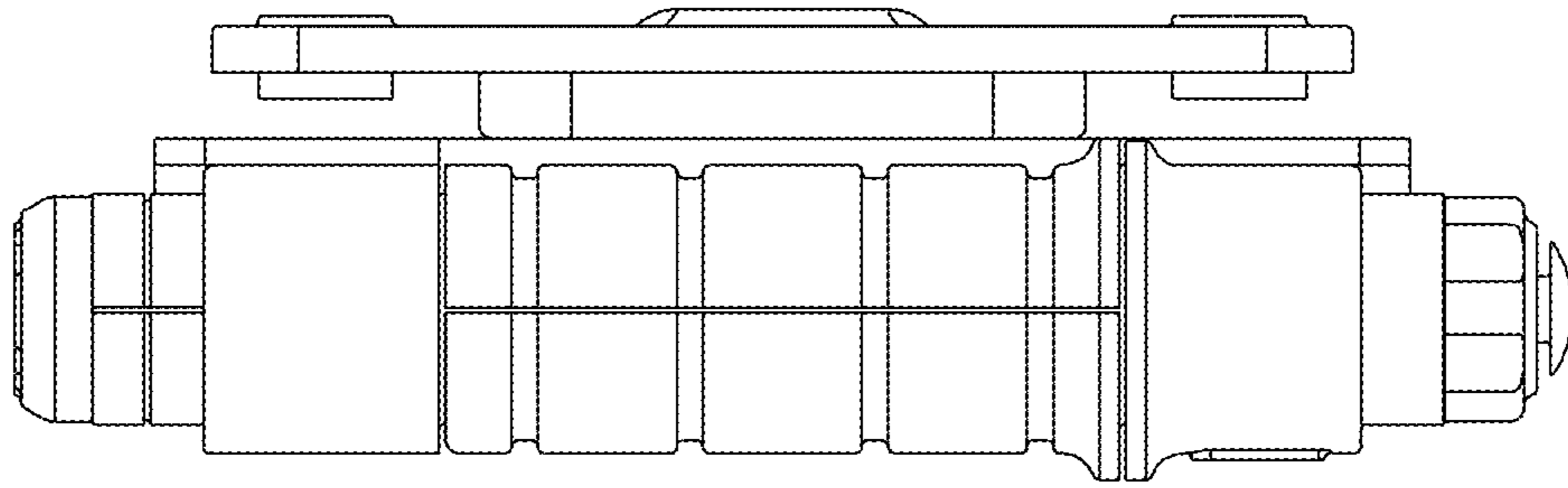


FIG. 6

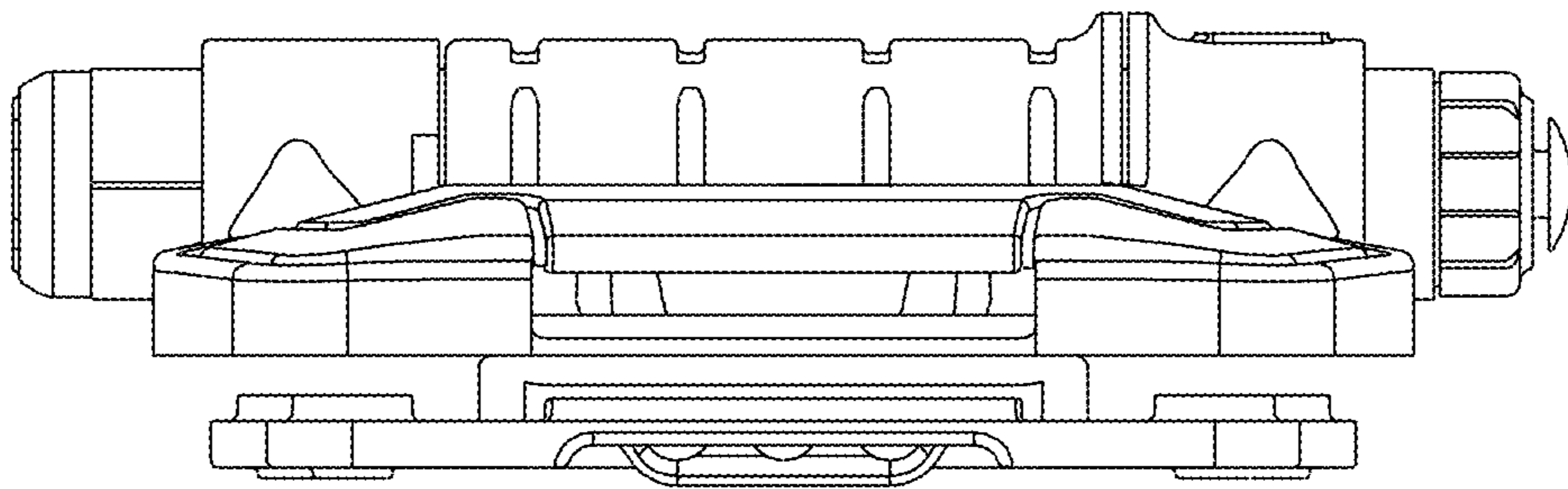


FIG. 7

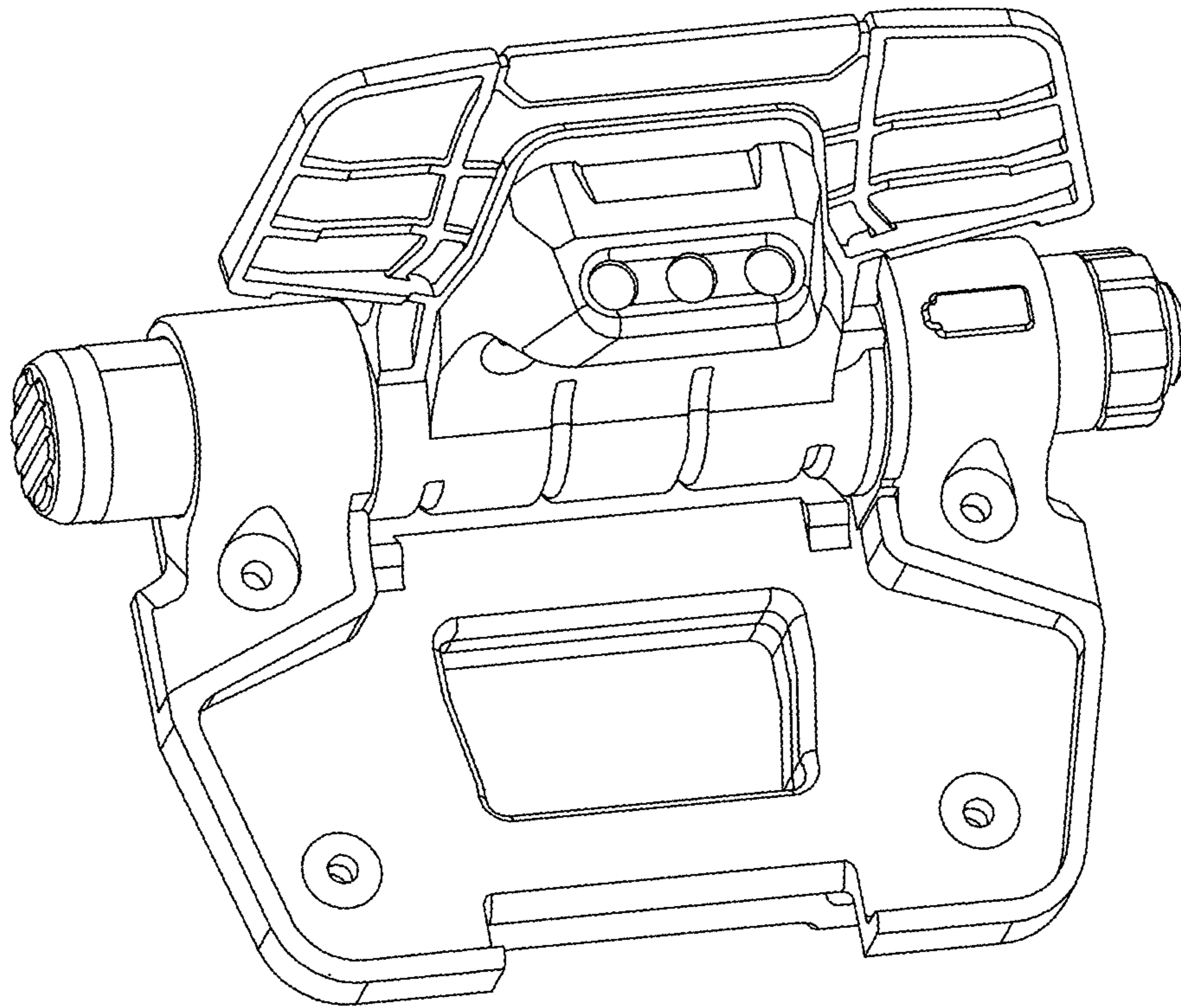


FIG. 8