

US00D821620S

(12) **United States Design Patent** (10) **Patent No.:** **US D821,620 S**
Rukhlin (45) **Date of Patent:** **** Jun. 26, 2018**

(54) **PORTABLE LIGHT**
(71) Applicant: **Enpower, LLC**, Port Washington, NY (US)
(72) Inventor: **Dmitry Rukhlin**, Port Washington, NY (US)
(73) Assignee: **ENPOWER, LLC**, Port Washington, NY (US)
(**) Term: **15 Years**
(21) Appl. No.: **29/562,299**
(22) Filed: **Apr. 25, 2016**
(51) **LOC (11) Cl.** **26-02**
(52) **U.S. Cl.**
USPC **D26/37**
(58) **Field of Classification Search**
USPC D26/60, 65, 37, 38, 40, 42, 46, 51
CPC F21L 2003/00; F21L 4/00; F21L 4/005;
F21L 4/02; F21L 4/025; F21L 4/027;
F21L 4/04; F21L 4/08; F21L 2005/00;
F21L 7/00; F21L 11/00; F21L 13/00;
F21L 13/04; F21L 13/08; F21L 14/02;
F21L 17/00; F21L 19/00
See application file for complete search history.

D665,522 S * 8/2012 Werner D26/37
D698,471 S * 1/2014 Poon D26/37
D708,377 S * 7/2014 Osiecki D26/37
D713,076 S * 9/2014 von Waldthausen D26/37
9,316,384 B2 4/2016 Mumma et al.
2006/0238968 A1* 10/2006 Maatta H04M 1/0218
361/679.01
2015/0167943 A1* 6/2015 Rugendyke F21L 4/04
362/294

FOREIGN PATENT DOCUMENTS

CA 2745494 A1 1/2012
CN 102401239 A 4/2012
CN 204611390 U 9/2015

* cited by examiner

Primary Examiner — Lakiya G Rogers
Assistant Examiner — Carissa C Fitts
(74) *Attorney, Agent, or Firm* — Carter, DeLuca, Farrell & Schmidt, LLP

(57) **CLAIM**

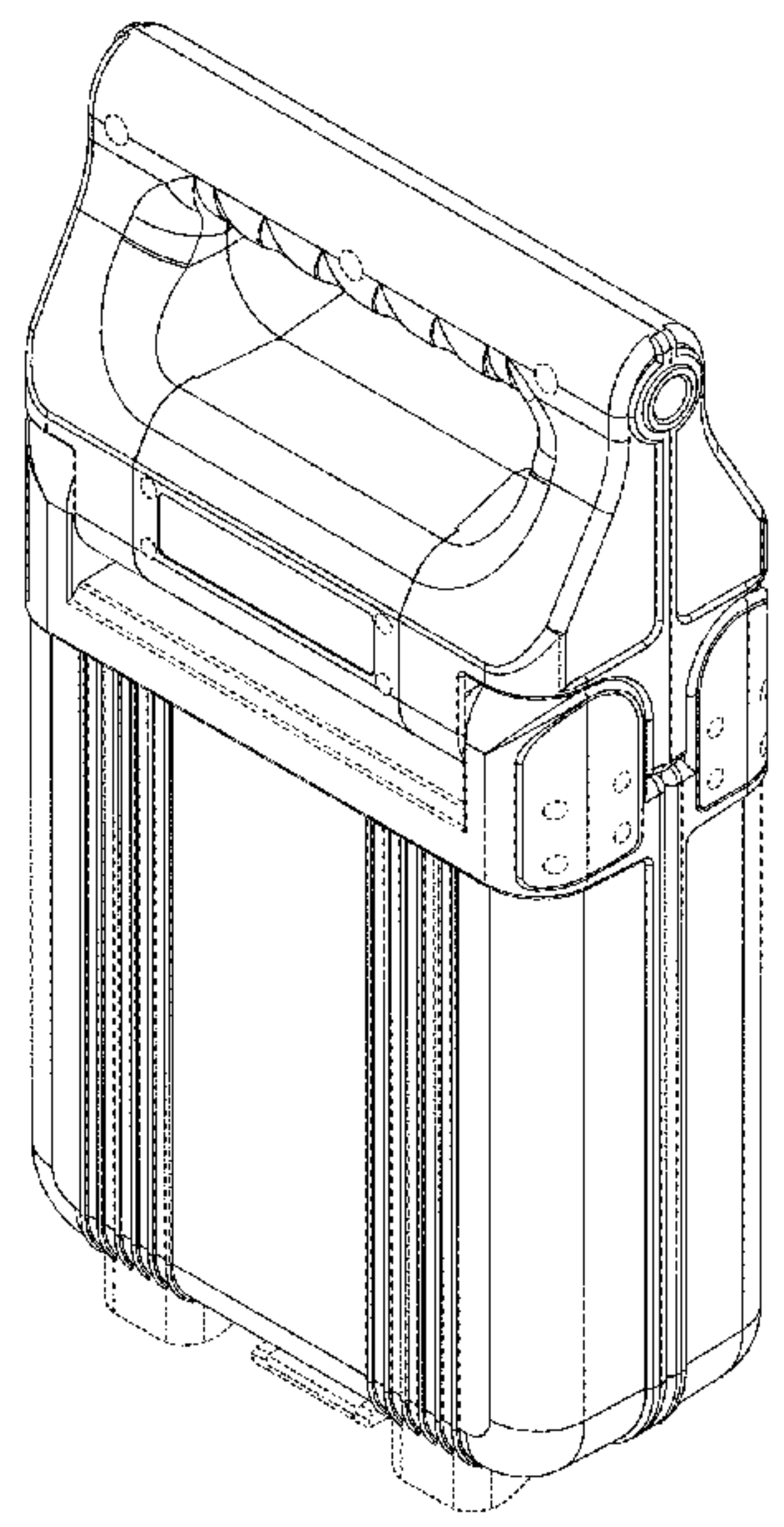
The ornamental design for a portable light, as shown and described.

DESCRIPTION

FIG. 1 is a front perspective view of a portable light in accordance with the present design;
FIG. 2 is a front elevational view thereof;
FIG. 3 is a rear elevational view thereof;
FIG. 4 is a right side elevational view thereof;
FIG. 5 is a left side elevational view thereof;
FIG. 6 is a top plan view thereof; and,
FIG. 7 is a bottom plan view thereof.
The broken lines shown are included for the purpose of illustrating portions of the portable light that form no part of the claimed design.

1 Claim, 7 Drawing Sheets

(56) **References Cited**
U.S. PATENT DOCUMENTS
D524,962 S * 7/2006 Farmer D26/37
D553,771 S * 10/2007 Watson D26/37
D558,369 S * 12/2007 O'Hern D26/42
D580,574 S * 11/2008 Leslie D26/37
D588,733 S * 3/2009 O'Hern D26/42
D593,236 S * 5/2009 Ng D26/37
7,717,586 B2 5/2010 Tucker
D622,879 S * 8/2010 Kotsis D26/37



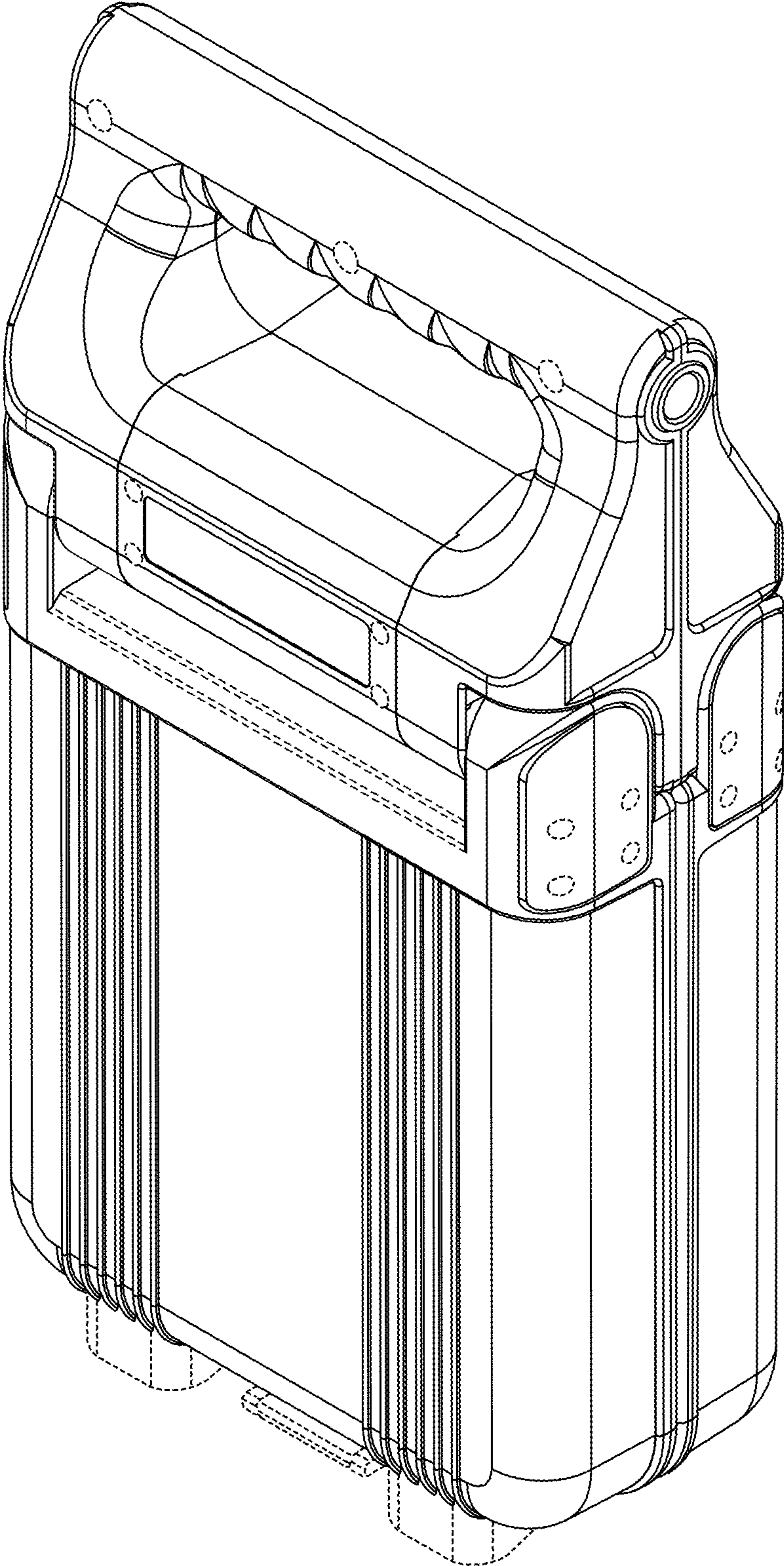


FIG.1

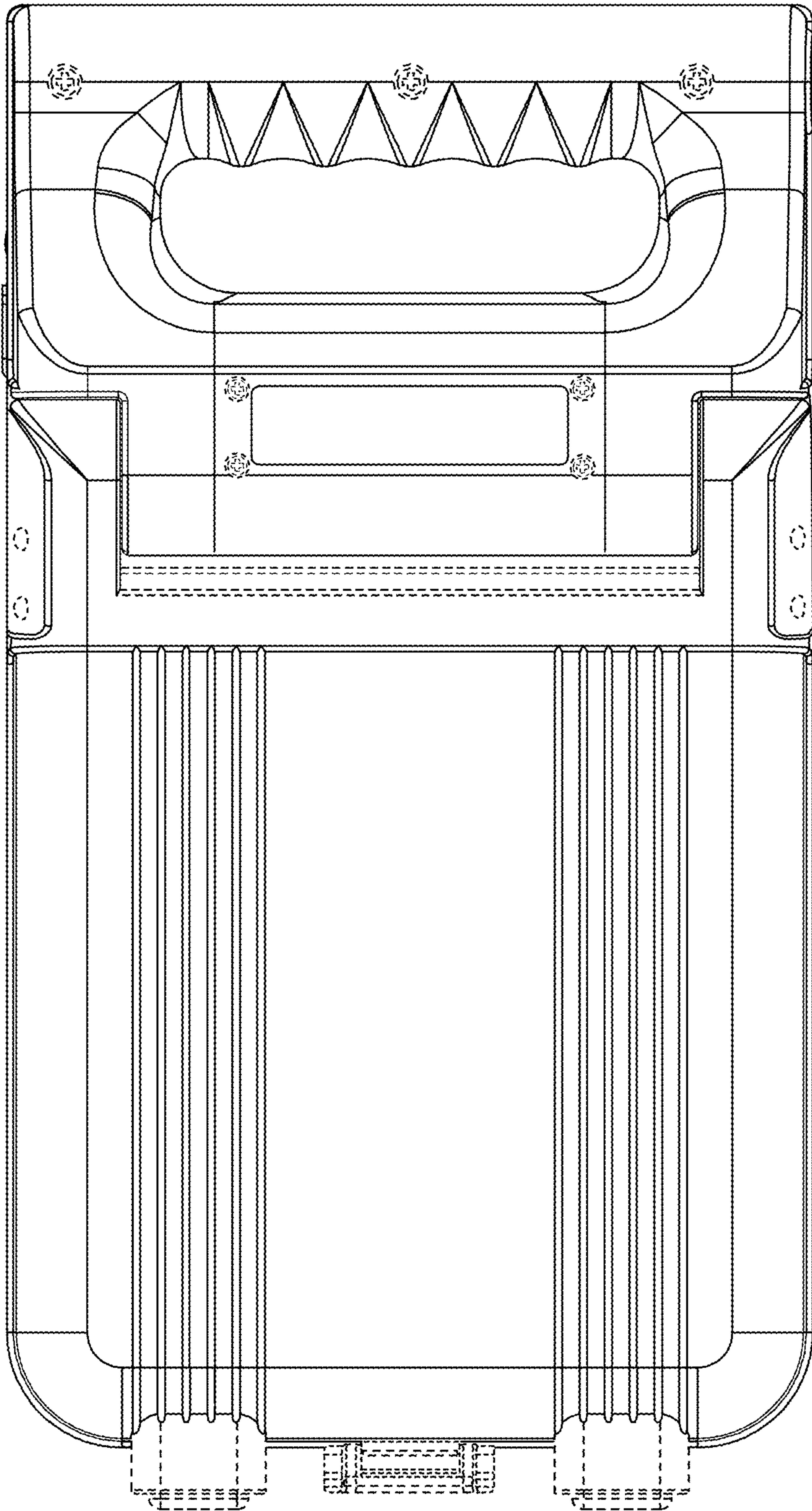


FIG. 2

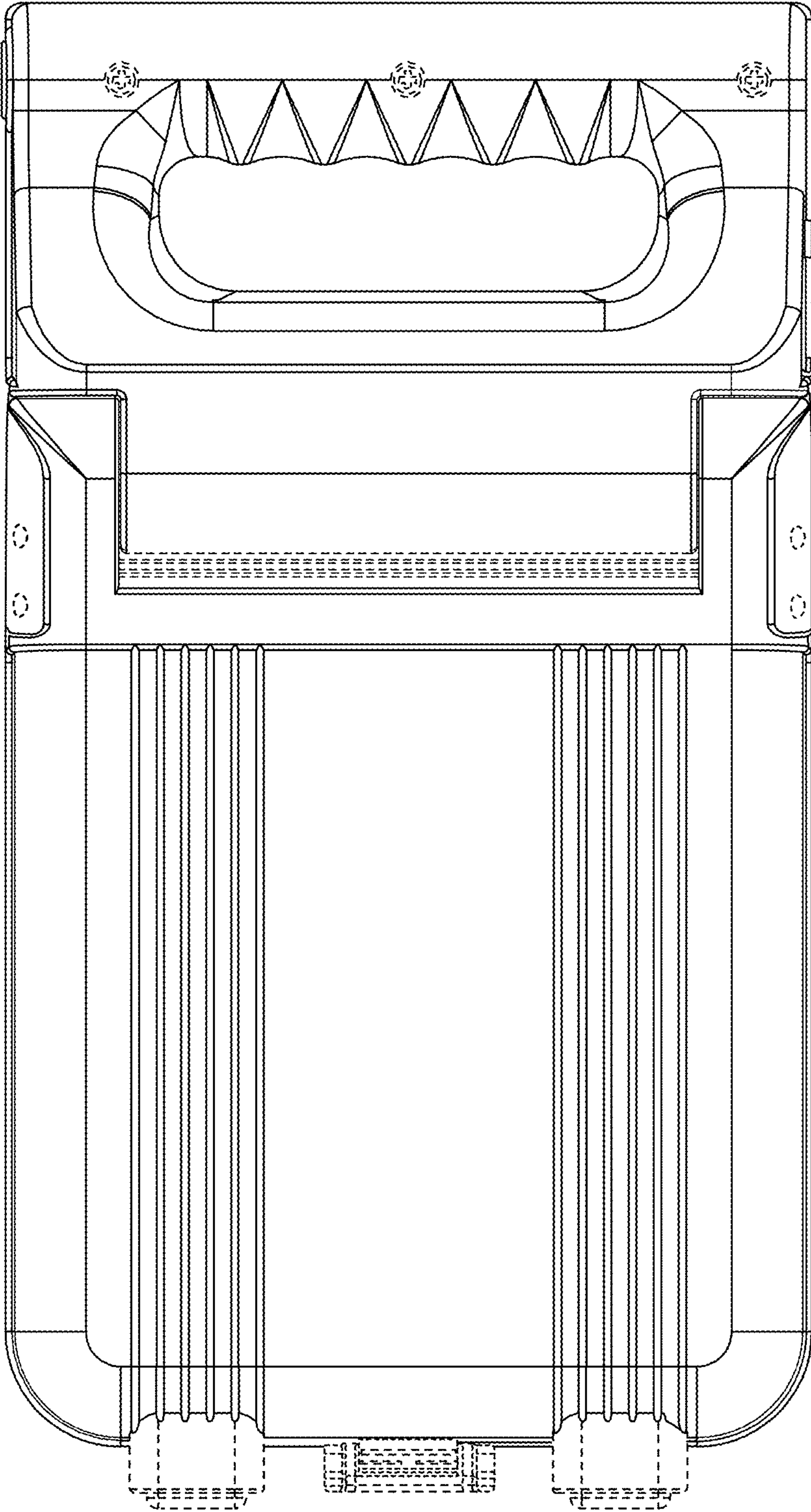


FIG. 3

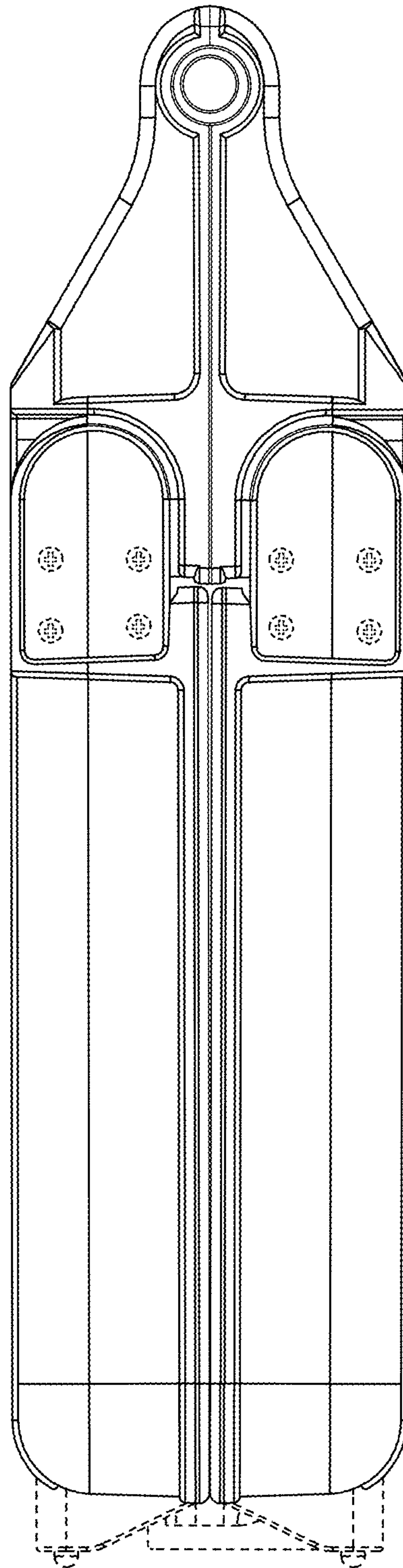


FIG. 4

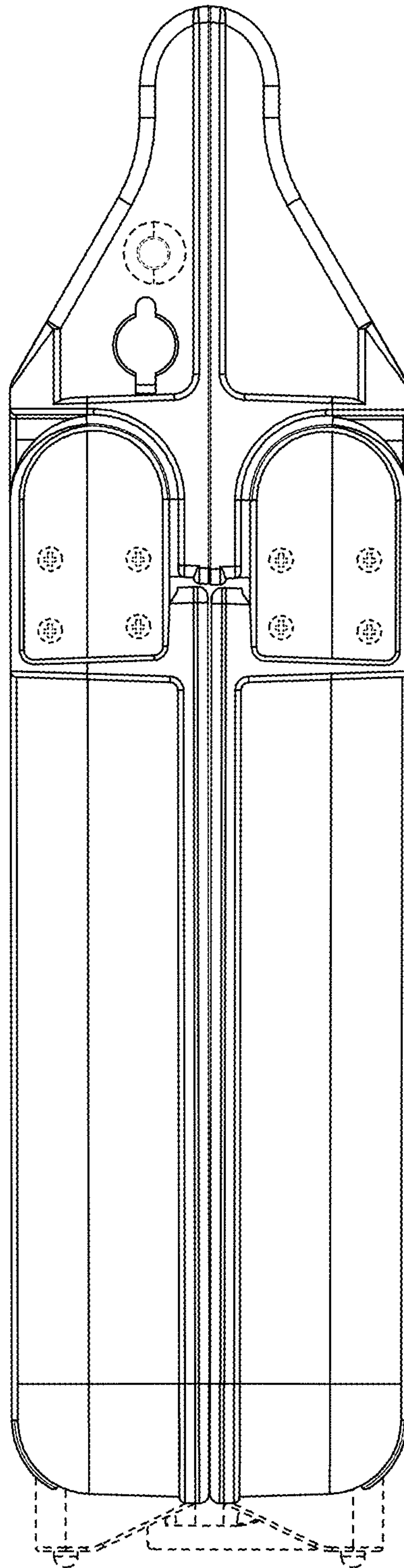


FIG. 5

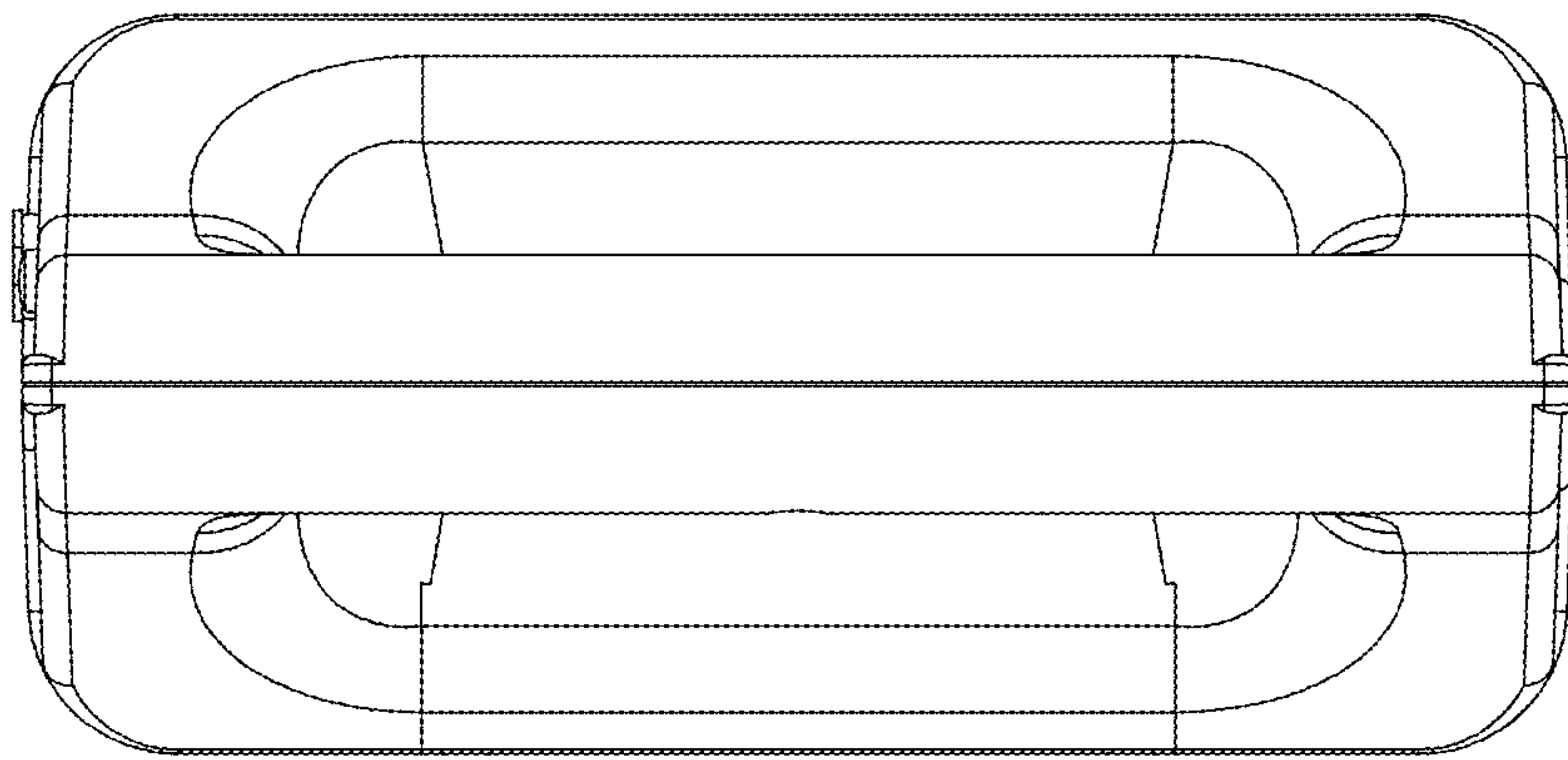


FIG. 6

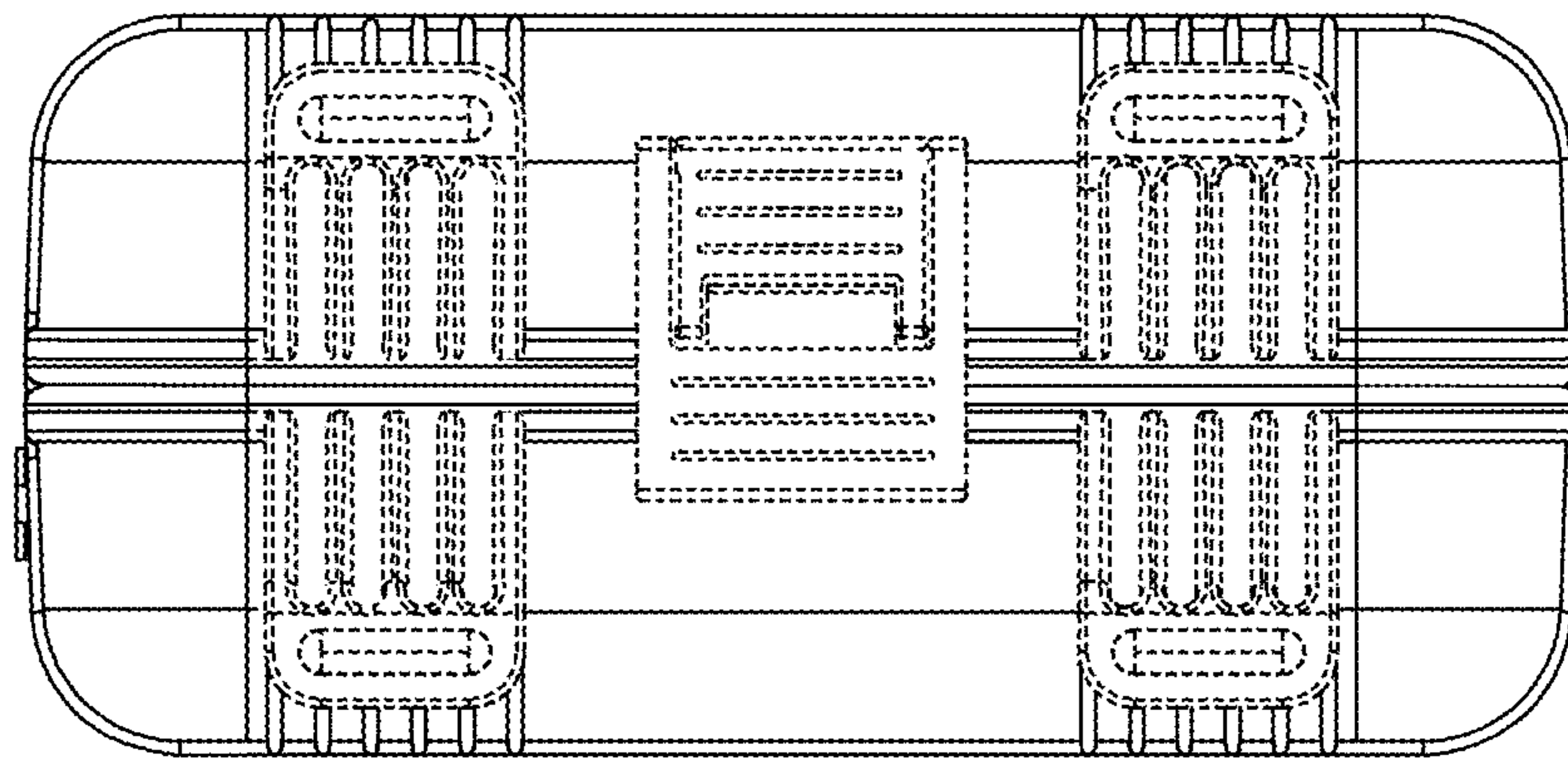


FIG. 7