



US00D821618S

(12) **United States Design Patent**
Granlund

(10) **Patent No.:** **US D821,618 S**

(45) **Date of Patent:** **** Jun. 26, 2018**

- (54) **HEADLIGHT FOR A VEHICLE**
- (71) Applicant: **CHINA-EURO VEHICLE TECHNOLOGY AKTIEBOLAG**, Gothenburg (SE)
- (72) Inventor: **Ola Granlund**, Gothenburg (SE)
- (73) Assignee: **CHINA-EURO VEHICLE TECHNOLOGY**, Gothenburg (SE)
- (**) Term: **15 Years**
- (21) Appl. No.: **29/577,955**
- (22) Filed: **Sep. 16, 2016**
- (51) **LOC (11) Cl.** **26-07**
- (52) **U.S. Cl.**
USPC **D26/28**
- (58) **Field of Classification Search**
USPC D26/28-36; 362/459-468, 475-478, 362/485-487
CPC F21S 48/00; F21S 48/10; F21S 48/115; F21S 48/225; F21S 48/1233; F21S 48/1266; F21S 48/1388; F21S 48/2268; F21V 21/04
See application file for complete search history.

- D635,697 S * 4/2011 Shin D26/28
- D642,304 S * 7/2011 Huet D26/28
- D686,356 S * 7/2013 Morgenstern D26/28
- D709,215 S * 7/2014 Futschik D26/28
- D739,056 S * 9/2015 Nordmann D26/28
- D740,978 S * 10/2015 Lee D26/28
- D761,979 S * 7/2016 Wu D26/28
- D762,314 S * 7/2016 Luk D26/28

* cited by examiner

Primary Examiner — Angela J Lee

(74) *Attorney, Agent, or Firm* — Lee & Hayes, PLLC

(57) **CLAIM**

The ornamental design for a headlight for a vehicle, as shown and described.

DESCRIPTION

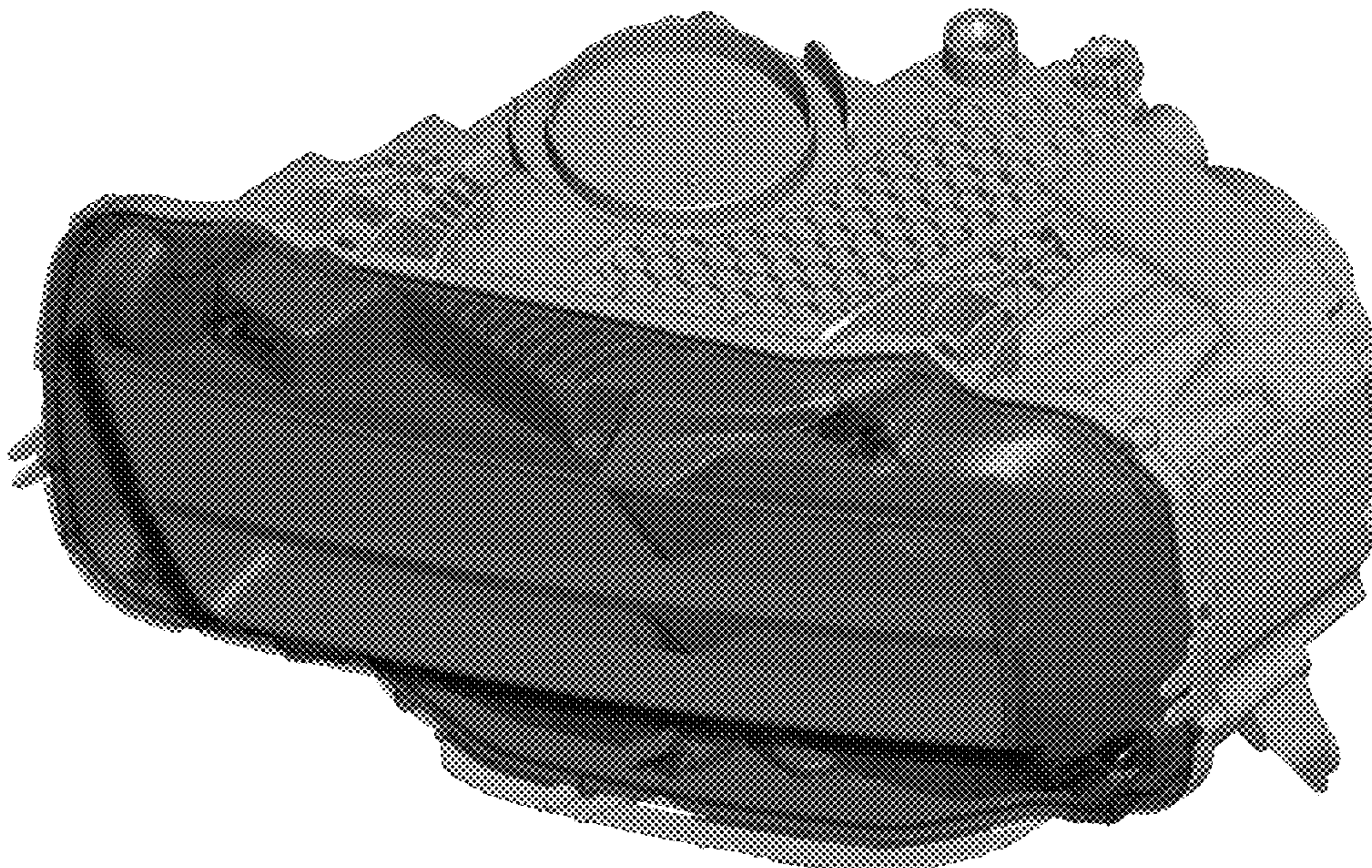
FIG. 1 is a perspective view of a headlight for a vehicle, taken from the front.
 FIG. 2 is a front view of the headlight for a vehicle of FIG. 1.
 FIG. 3 is a right-side view of the headlight for a vehicle of FIG. 1.
 FIG. 4 is a back view of the headlight for a vehicle of FIG. 1.
 FIG. 5 is a left-side view of the headlight for a vehicle of FIG. 1.
 FIG. 6 is a top view of the headlight for a vehicle of FIG. 1; and,
 FIG. 7 is a bottom view of the headlight for a vehicle of FIG. 1.

1 Claim, 7 Drawing Sheets

(56) **References Cited**

U.S. PATENT DOCUMENTS

- D563,576 S * 3/2008 Hanaoka D26/28
- D591,876 S * 5/2009 Varga D26/28
- D607,590 S * 1/2010 Weil D26/28



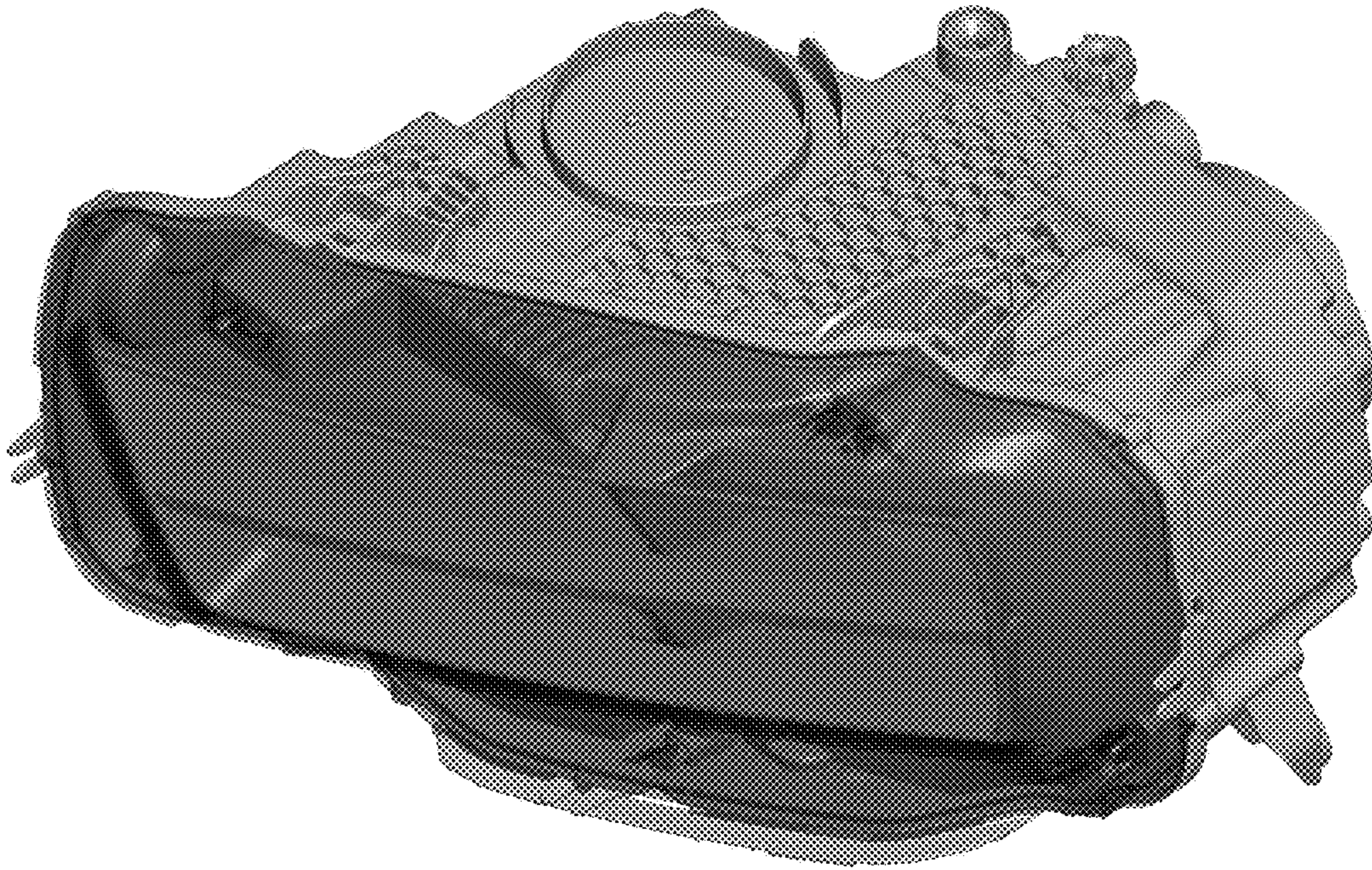


FIG. 1

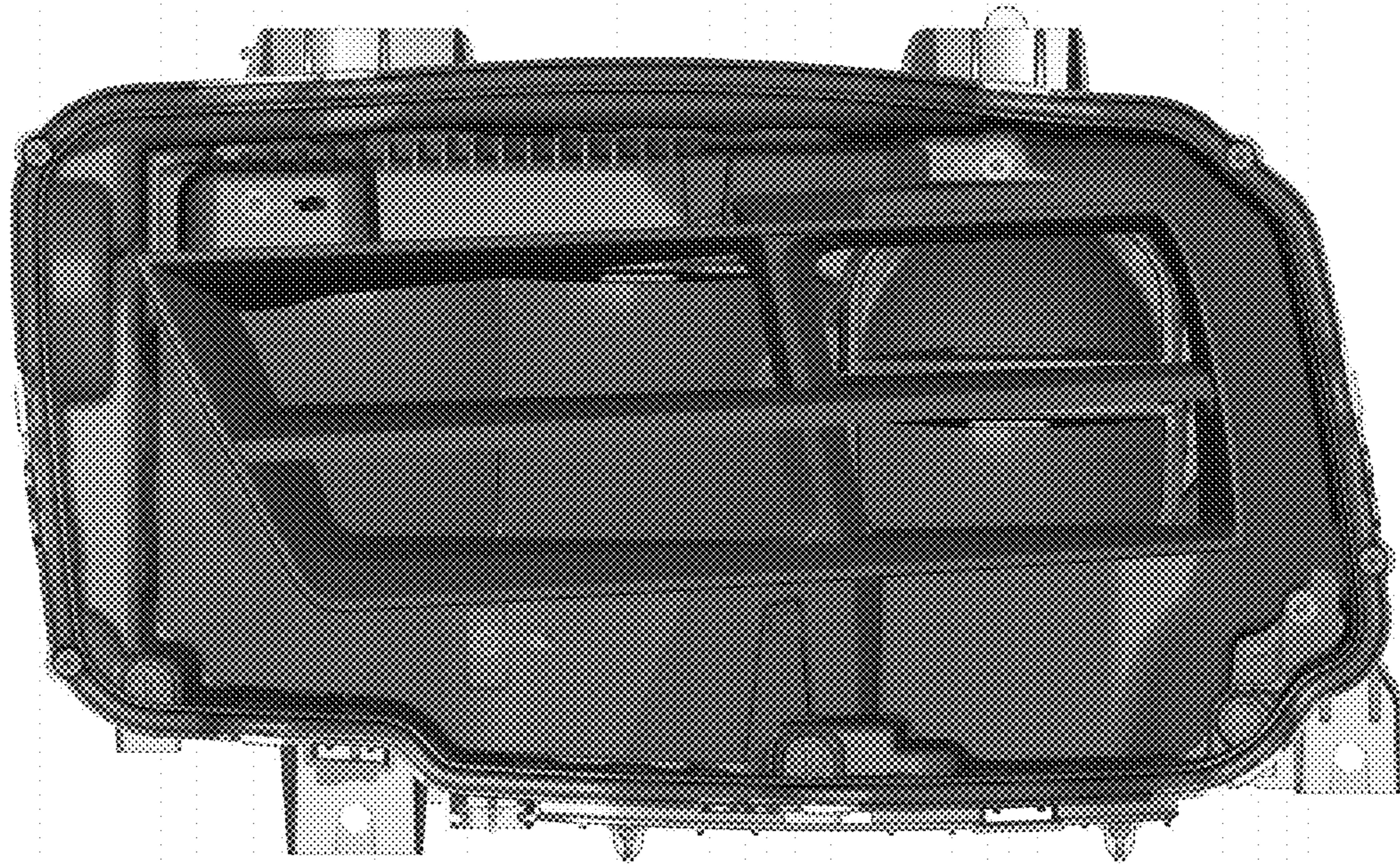


FIG. 2

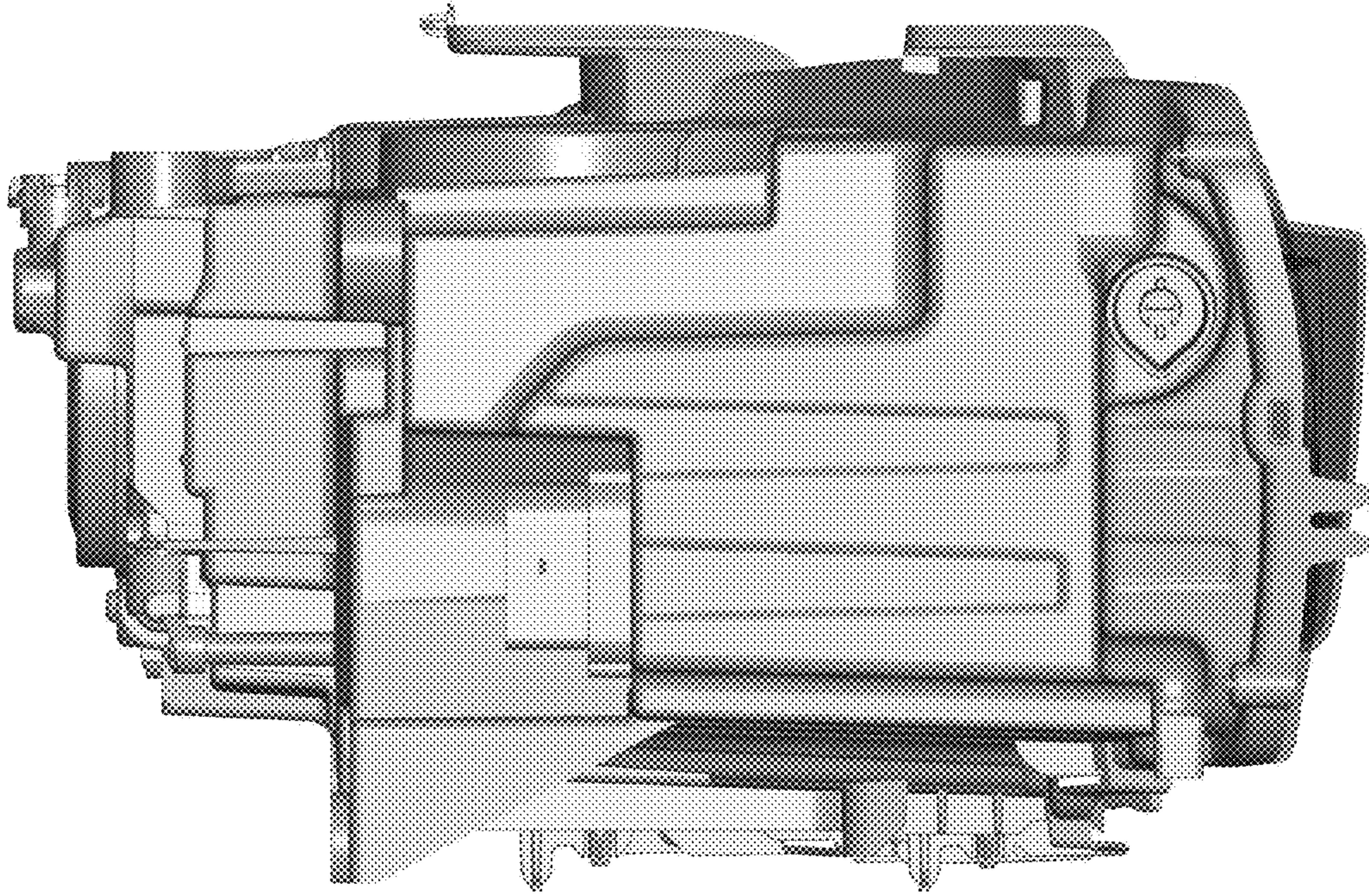


FIG. 3

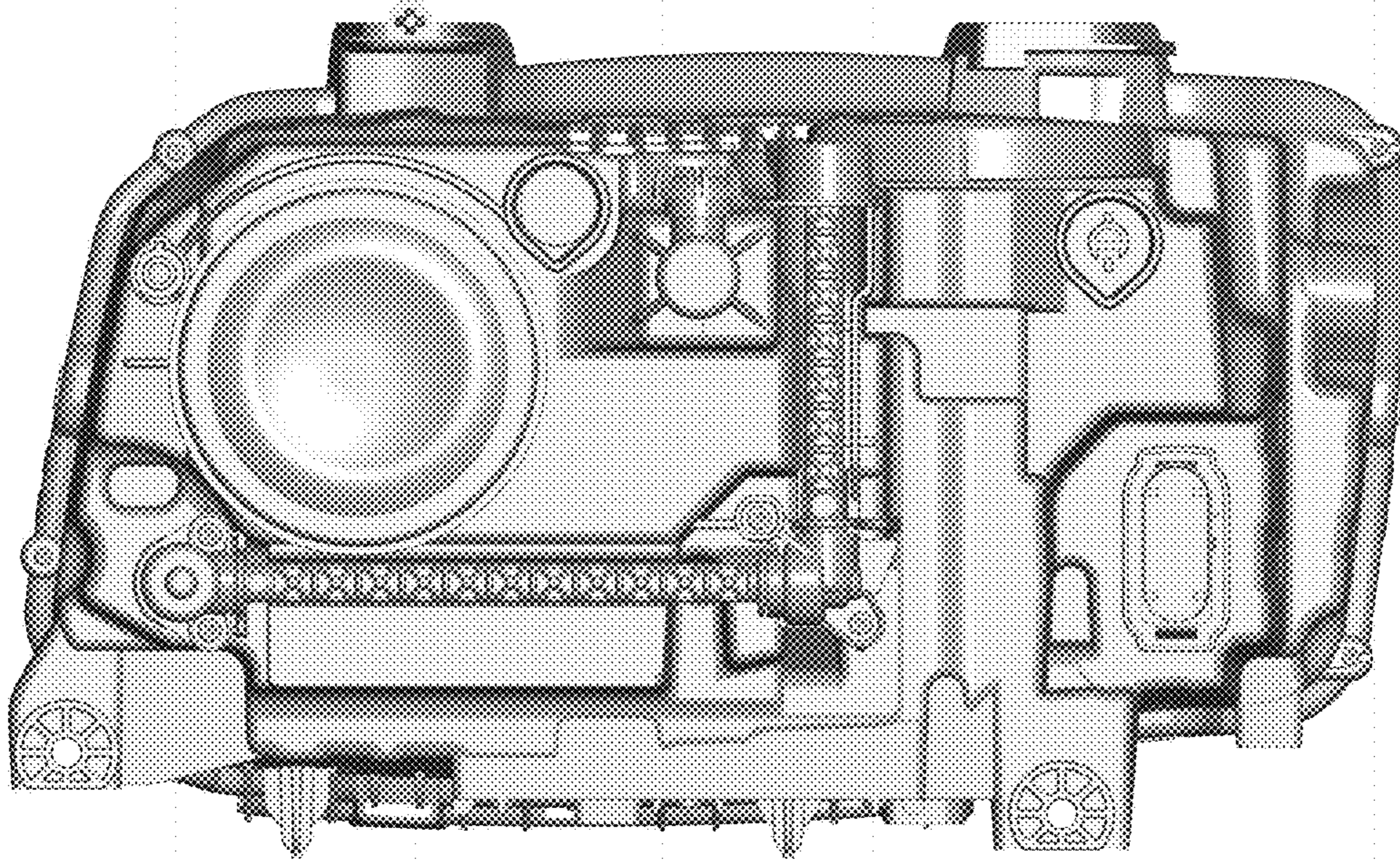


FIG. 4

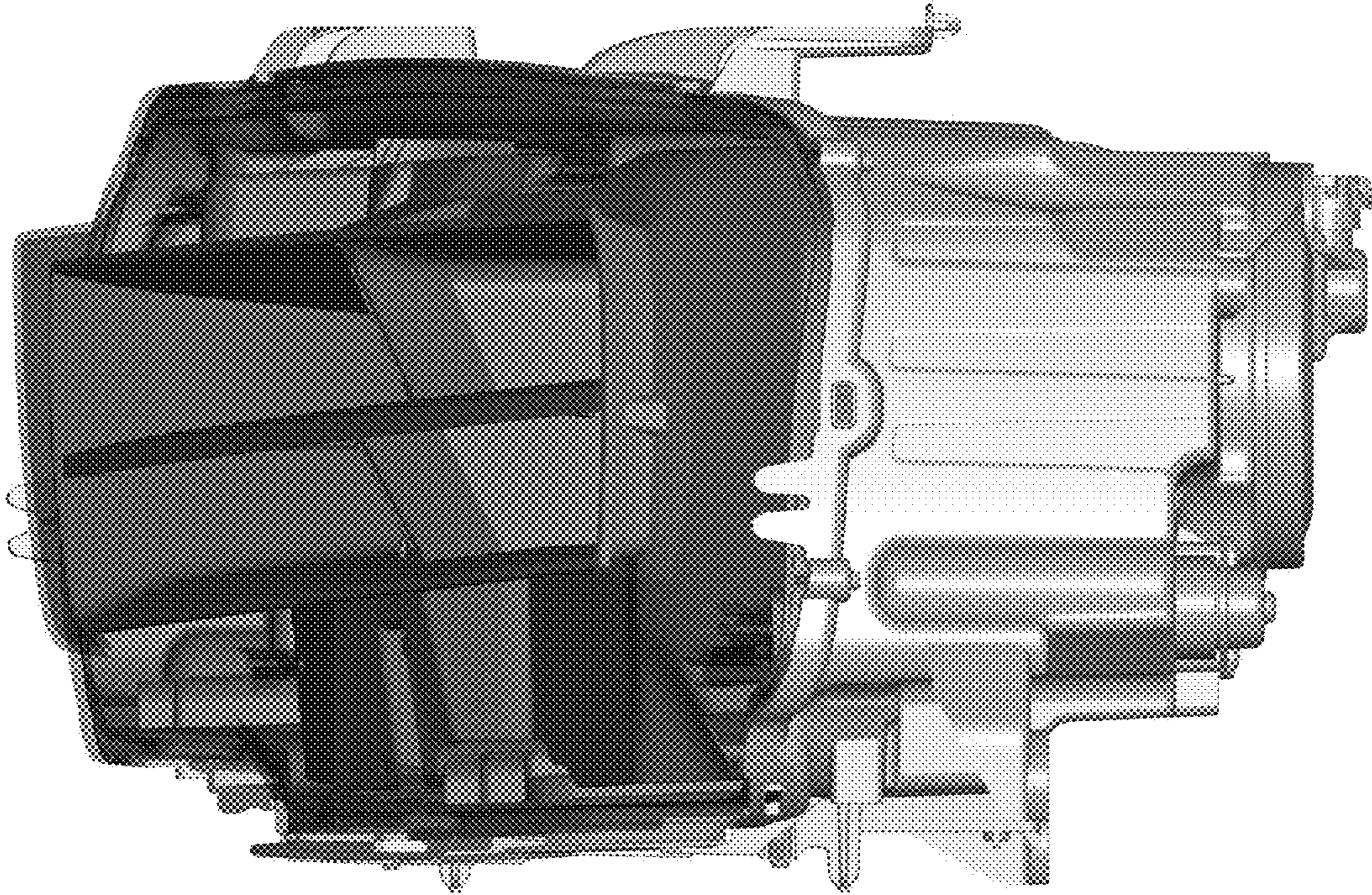


FIG. 5

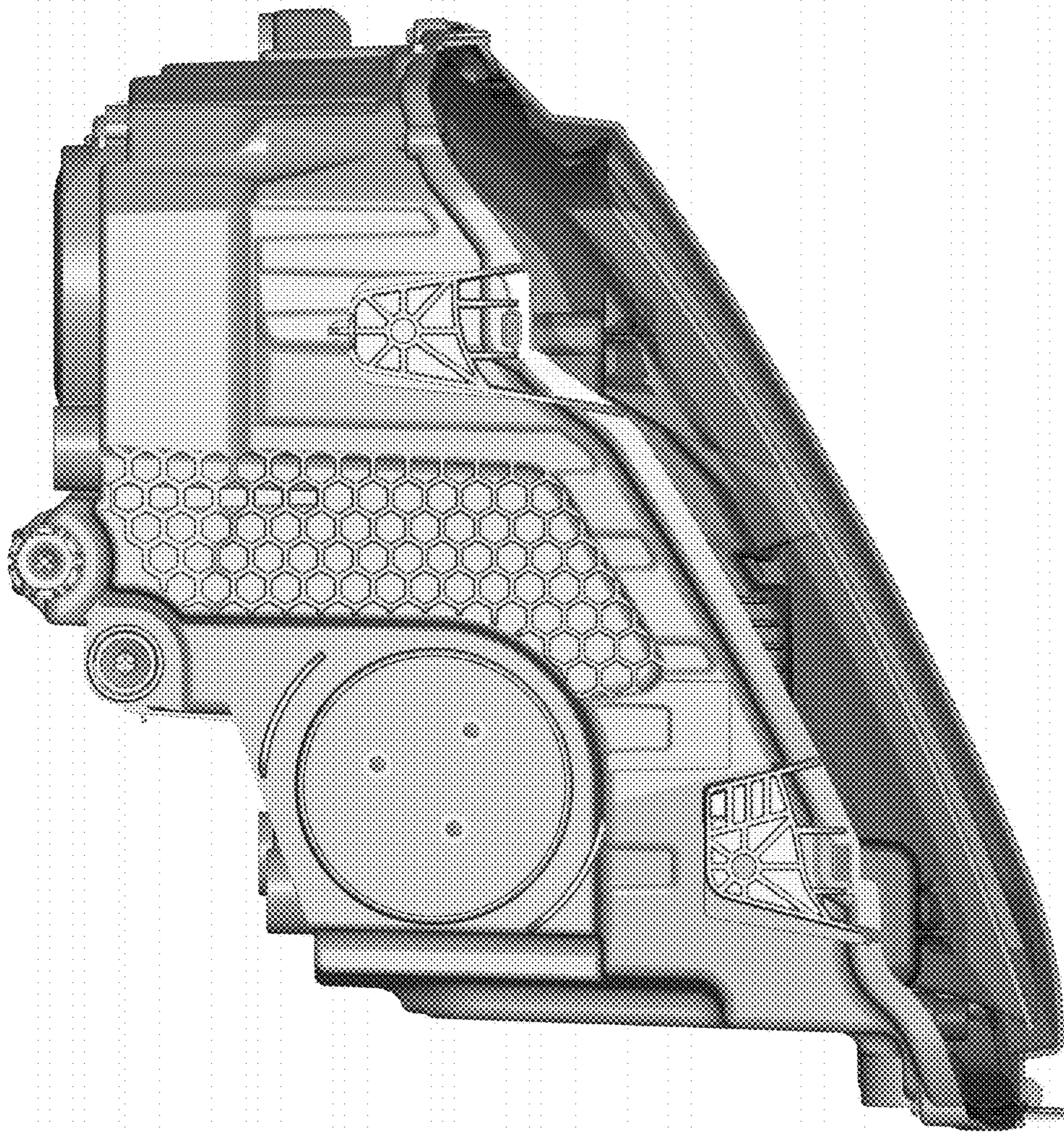


FIG. 6

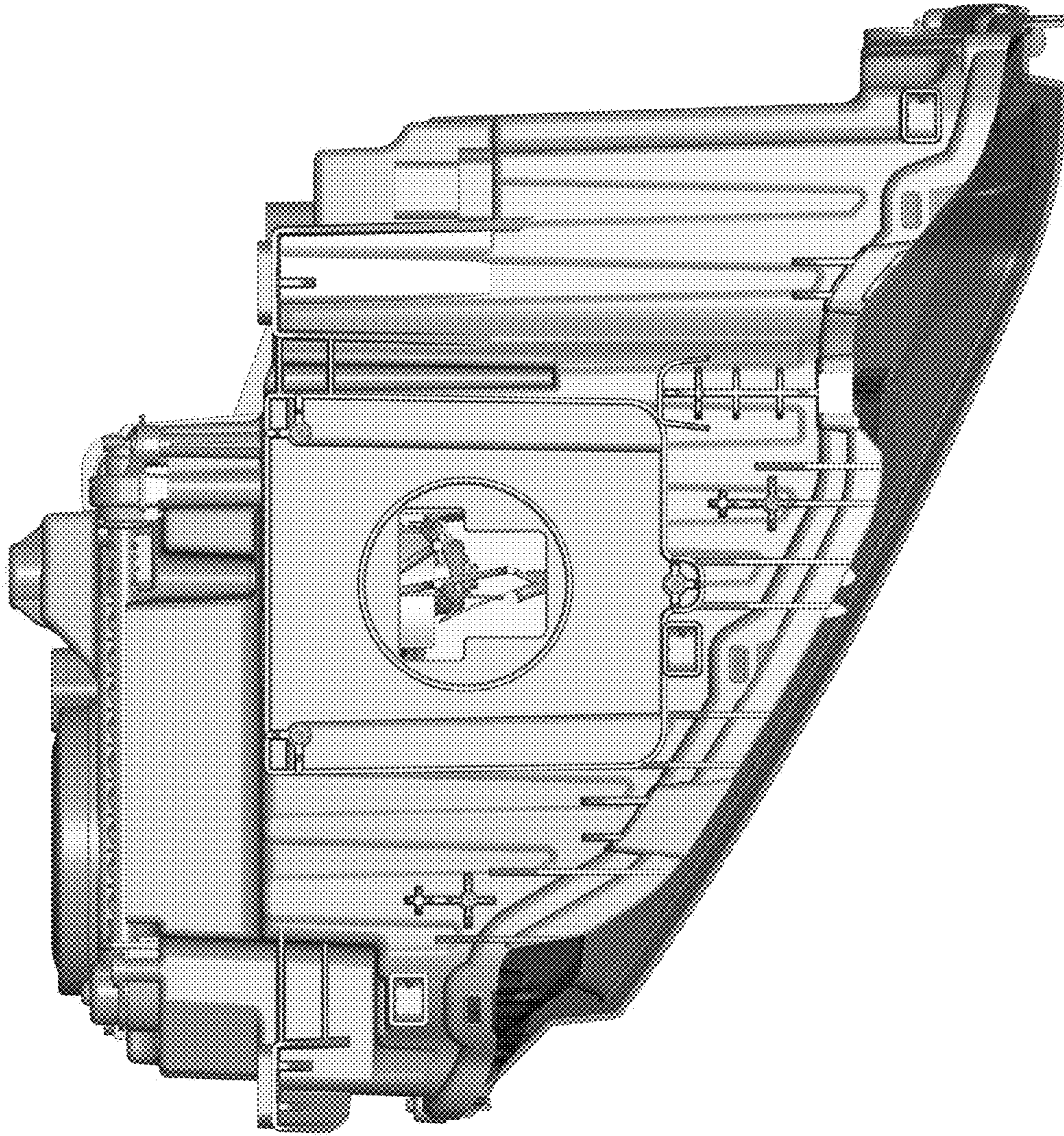


FIG. 7

UNITED STATES PATENT AND TRADEMARK OFFICE
CERTIFICATE OF CORRECTION

PATENT NO. : D821,618 S
APPLICATION NO. : 29/577955
DATED : June 26, 2018
INVENTOR(S) : Ola Granlund et al.

Page 1 of 1

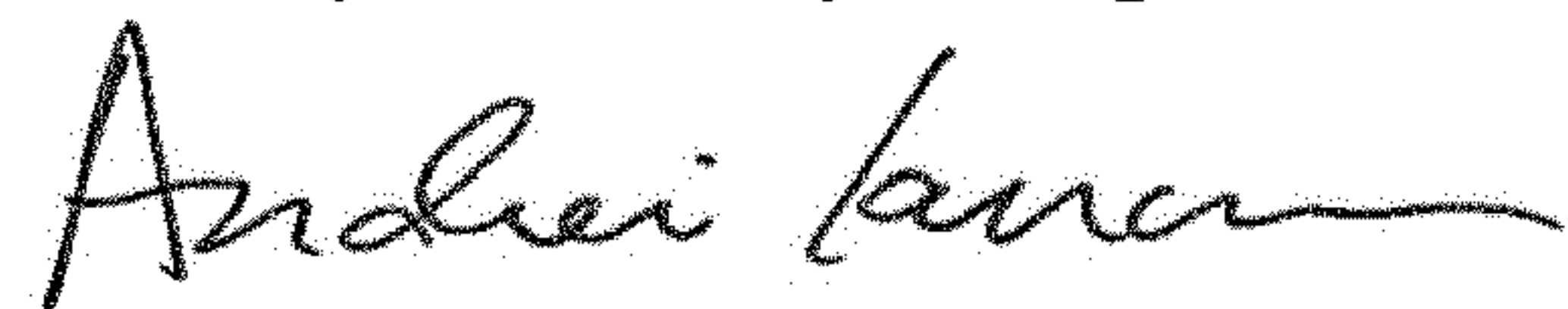
It is certified that error appears in the above-identified patent and that said Letters Patent is hereby corrected as shown below:

On the Title Page

Please add:

--(30) Foreign Application Priority Data
Mar. 18, 2016 (EP) DM/090 169--

Signed and Sealed this
Twenty-third Day of April, 2019



Andrei Iancu
Director of the United States Patent and Trademark Office