



US00D821616S

(12) **United States Design Patent**
Chung

(10) **Patent No.:** **US D821,616 S**

(45) **Date of Patent:** **** Jun. 26, 2018**

(54) **HEADLIGHT**

(71) Applicant: **HONDA MOTOR CO., LTD.**,
Minato-ku, Tokyo (JP)

(72) Inventor: **Jae Chung**, Irvine, CA (US)

(73) Assignee: **HONDA MOTOR CO., LTD.**, Tokyo
(JP)

(**) Term: **15 Years**

(21) Appl. No.: **29/576,136**

(22) Filed: **Aug. 31, 2016**

(51) **LOC (11) Cl.** **26-06**

(52) **U.S. Cl.**
USPC **D26/28**

(58) **Field of Classification Search**
USPC D26/28-36; 362/80-83, 267-269,
362/459-468, 475-478, 485-487
CPC F21S 48/00; F21S 48/10; F21S 48/115;
F21S 48/1233; F21S 48/1266; F21S
48/1388; F21S 48/2268; F21V 21/04
See application file for complete search history.

(56) **References Cited**

U.S. PATENT DOCUMENTS

D580,571 S * 11/2008 Gotschke D26/28
D645,176 S * 9/2011 Bauer D26/28

D735,914 S * 8/2015 Gotschke D26/28
D777,956 S * 1/2017 Schell D26/28
D780,959 S * 3/2017 Curic D26/28
D780,963 S * 3/2017 Behmer D26/28

* cited by examiner

Primary Examiner — Marcus Jackson

(74) *Attorney, Agent, or Firm* — Arent Fox LLP

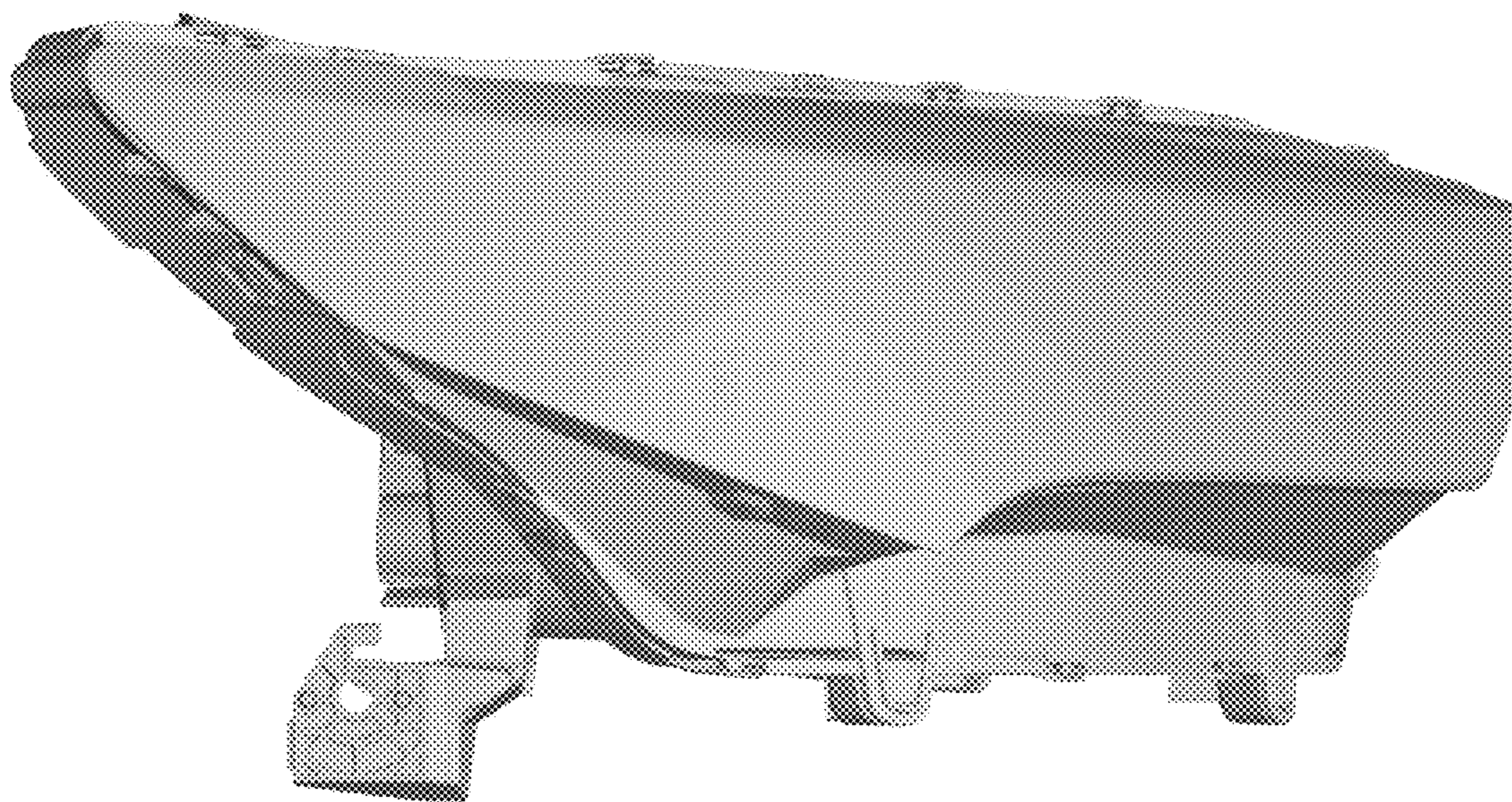
(57) **CLAIM**

The ornamental design for a headlight, as shown and described.

DESCRIPTION

FIG. 1 is a top left perspective view of a headlight showing my new design;
FIG. 2 is a top, rear, right perspective view of the design shown in FIG. 1;
FIG. 3 is a top right perspective view of the design shown in FIG. 1;
FIG. 4 is a front perspective view of the design shown in FIG. 1;
FIG. 5 is a rear view of the design shown in FIG. 1;
FIG. 6 is a front view of the design shown in FIG. 1;
FIG. 7 is a right side view of the design shown in FIG. 1;
FIG. 8 is a left side view of the design shown in FIG. 1;
FIG. 9 is a top view of the design shown in FIG. 1; and,
FIG. 10 is a bottom view of the design shown in FIG. 1.

1 Claim, 10 Drawing Sheets



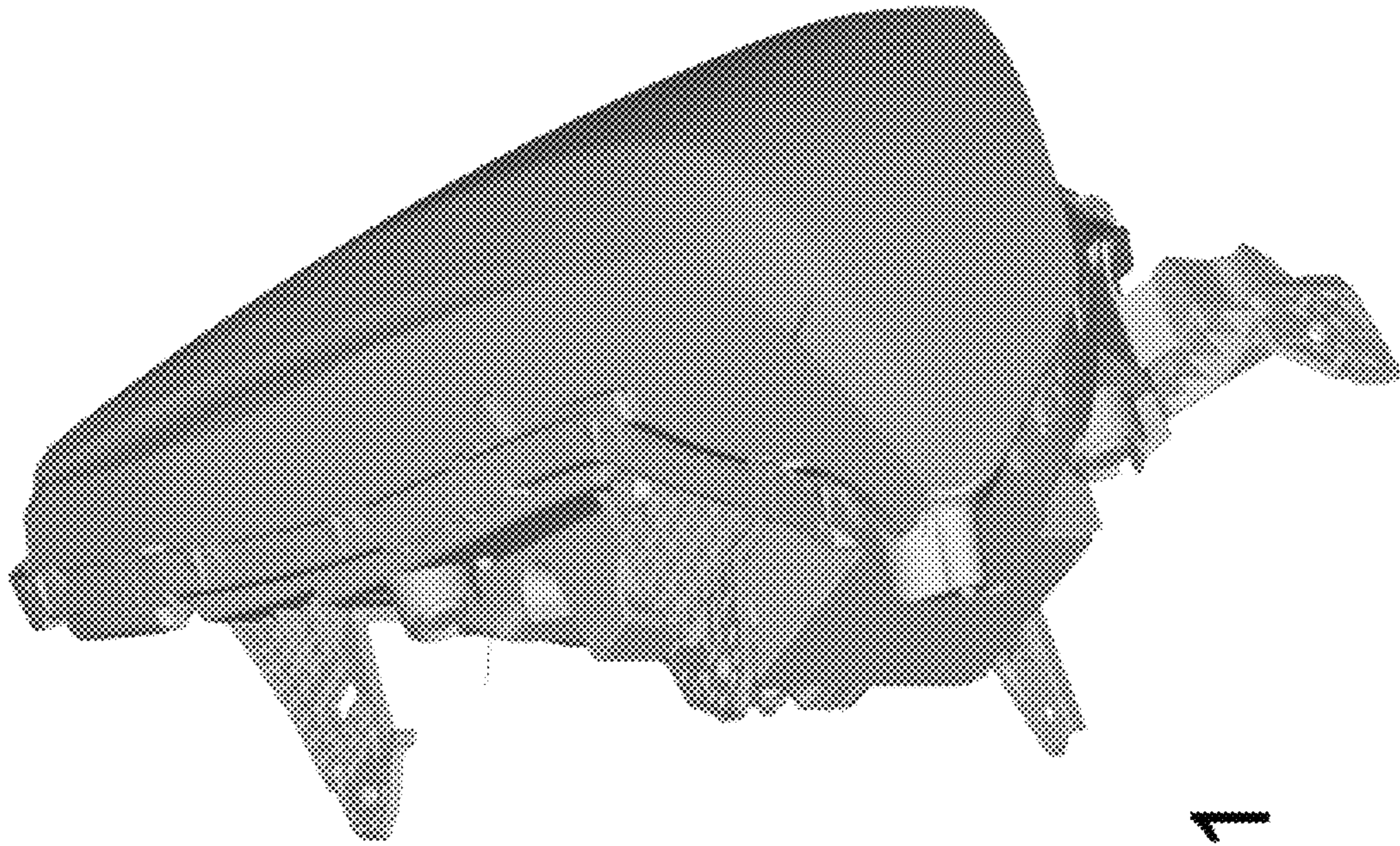


FIGURE 1

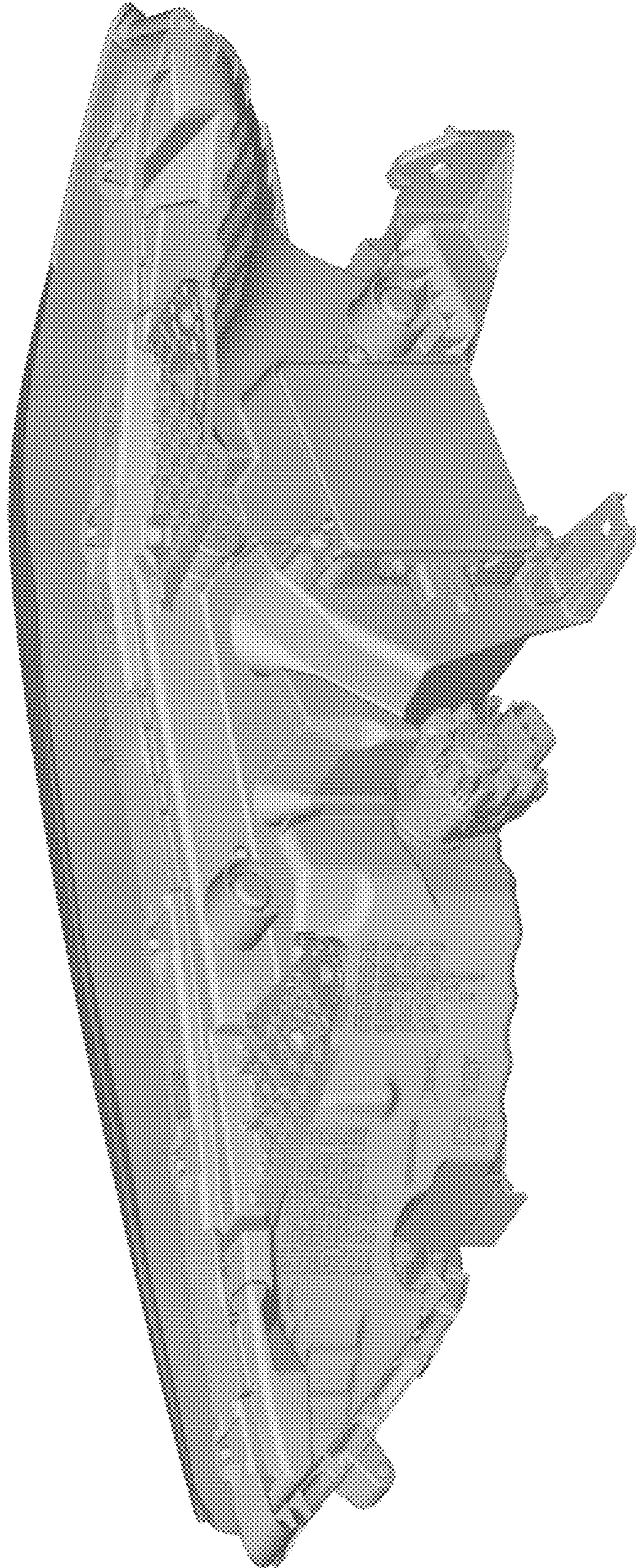
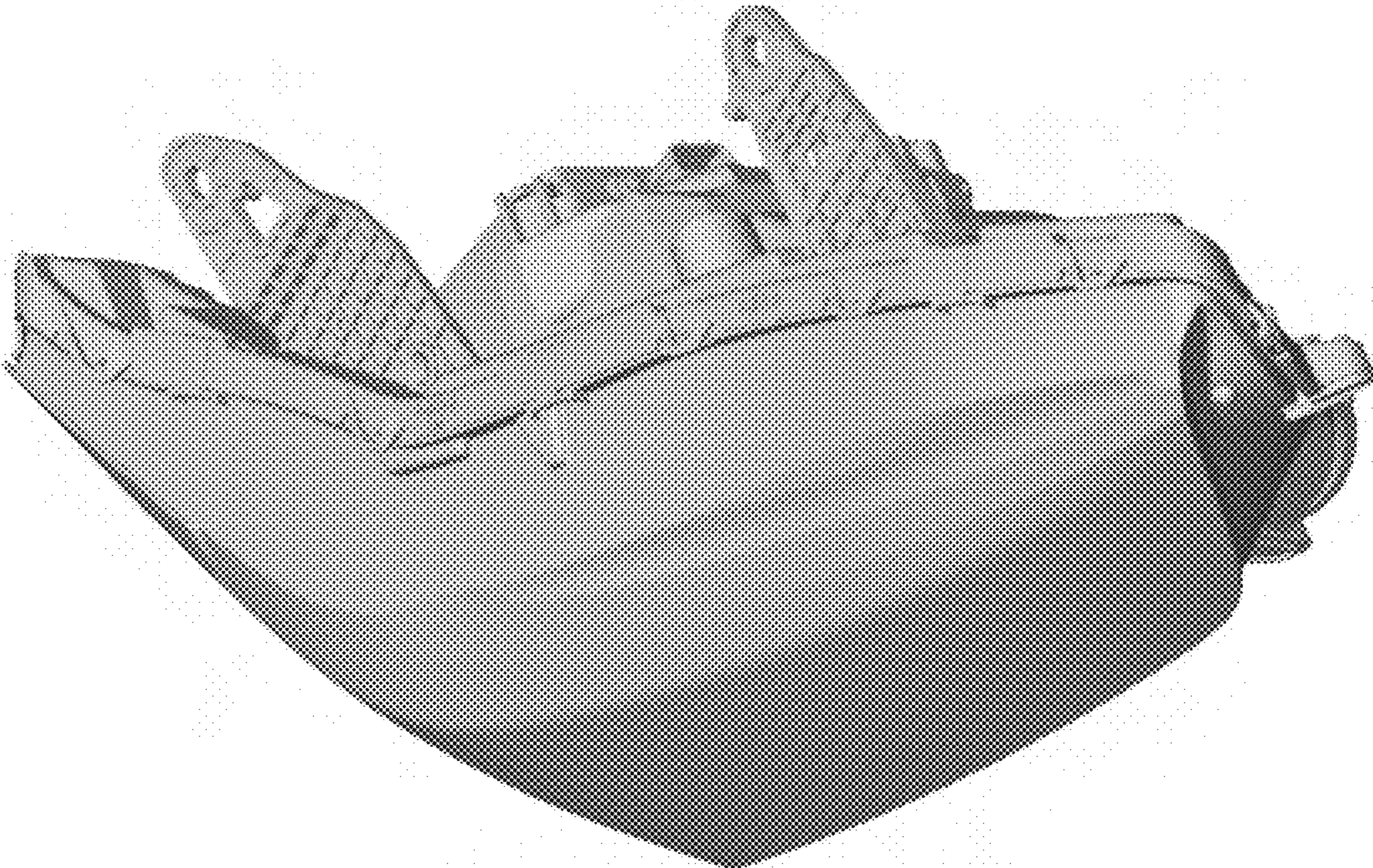


FIGURE 2

FIGURE 3



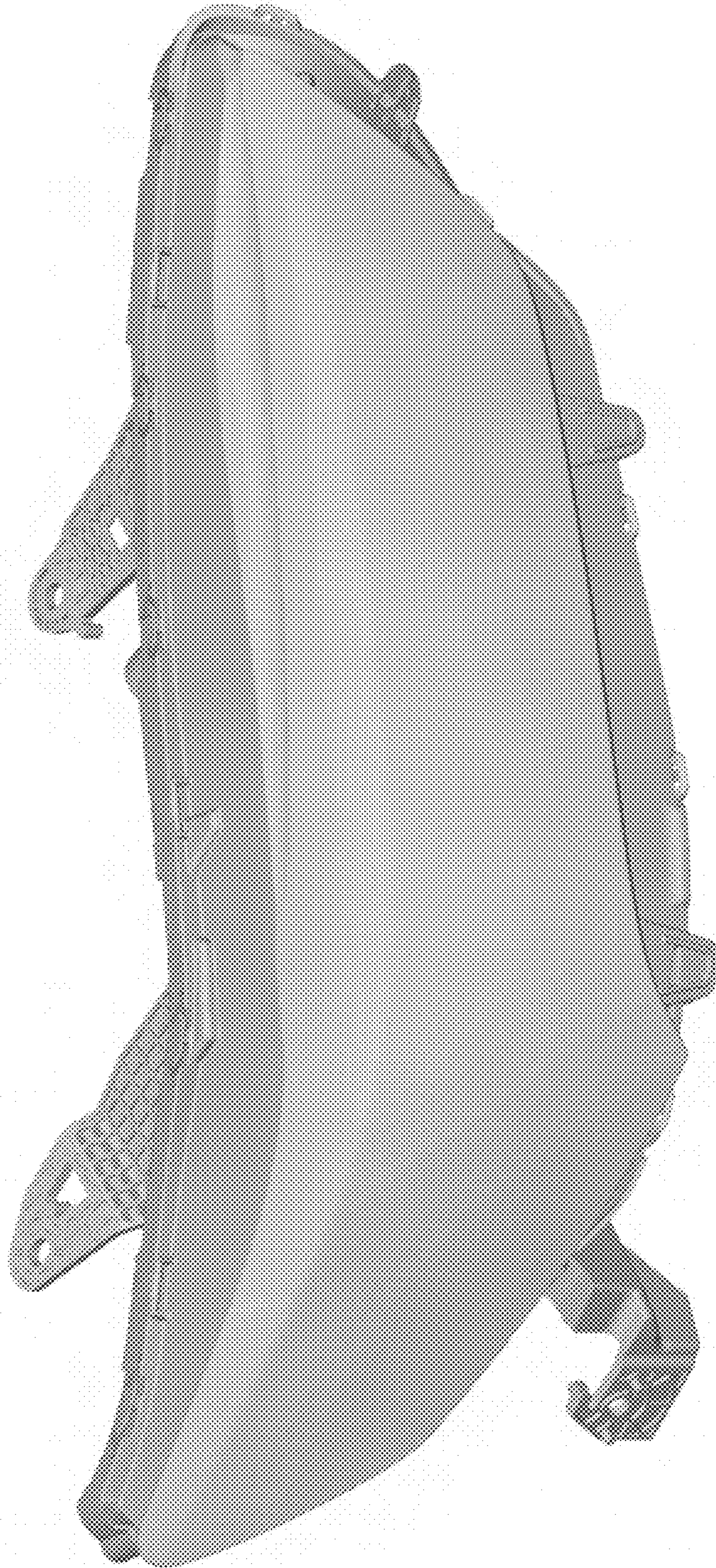


FIGURE 4

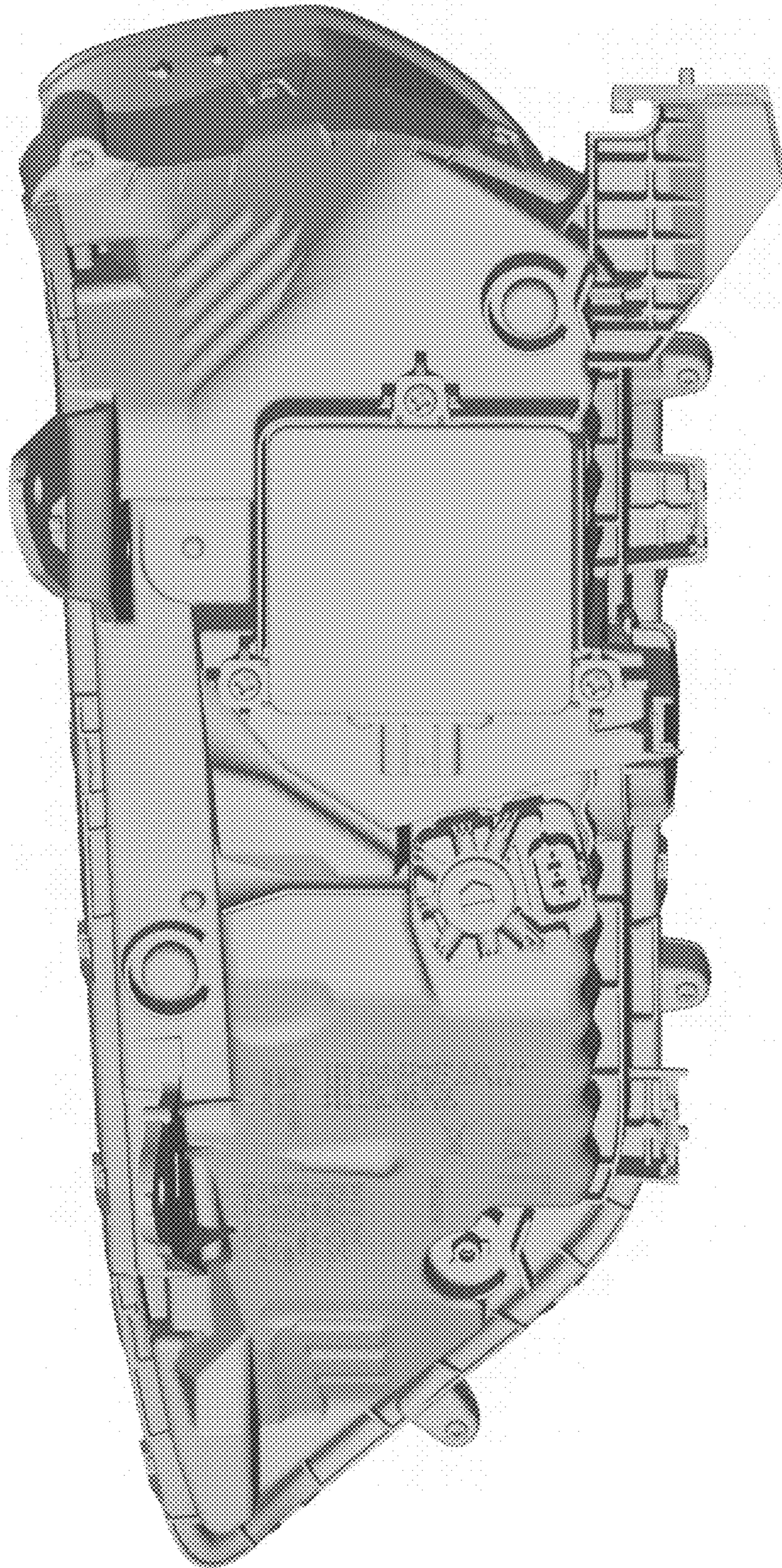


FIGURE 5

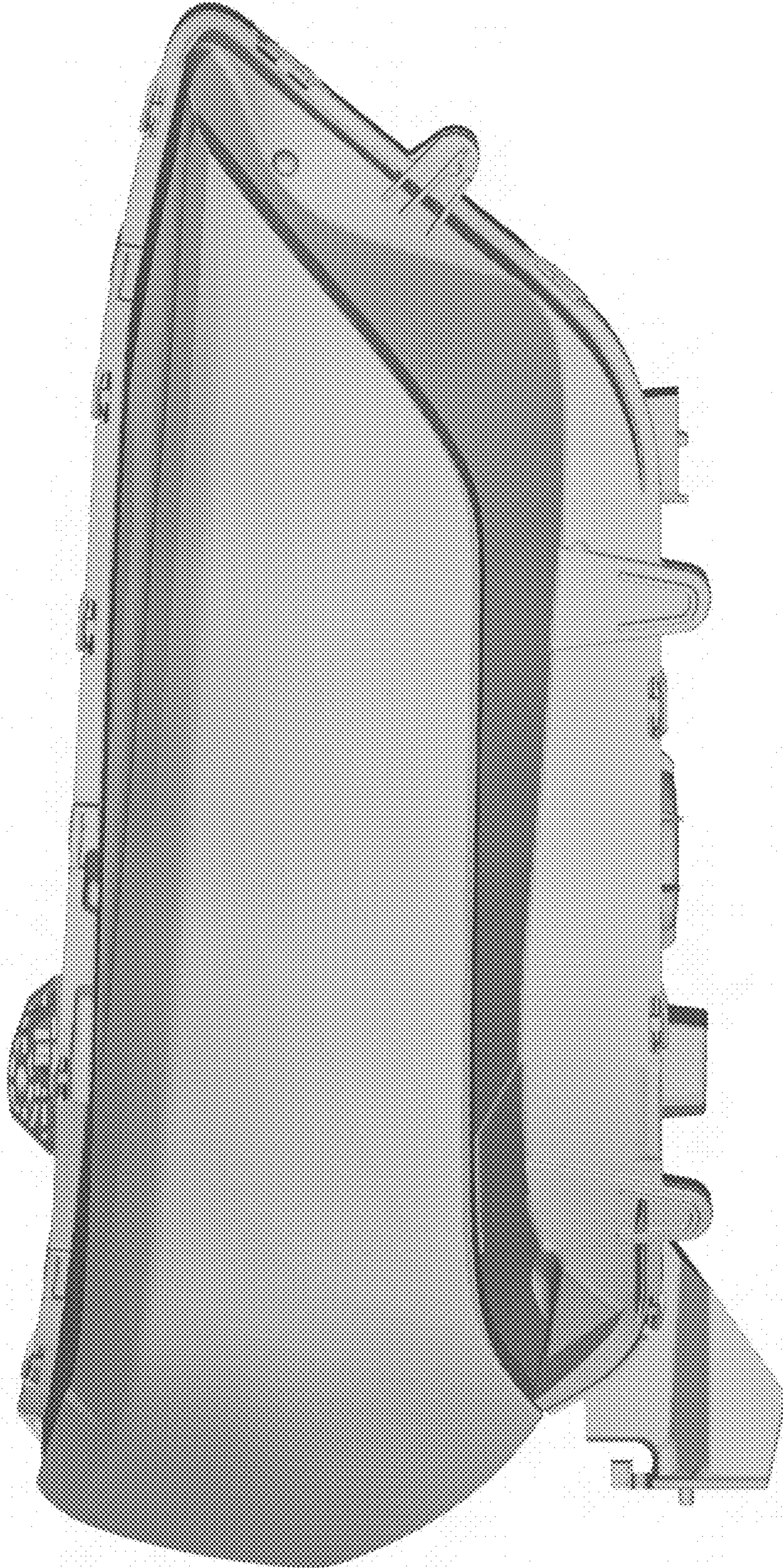


FIGURE 6

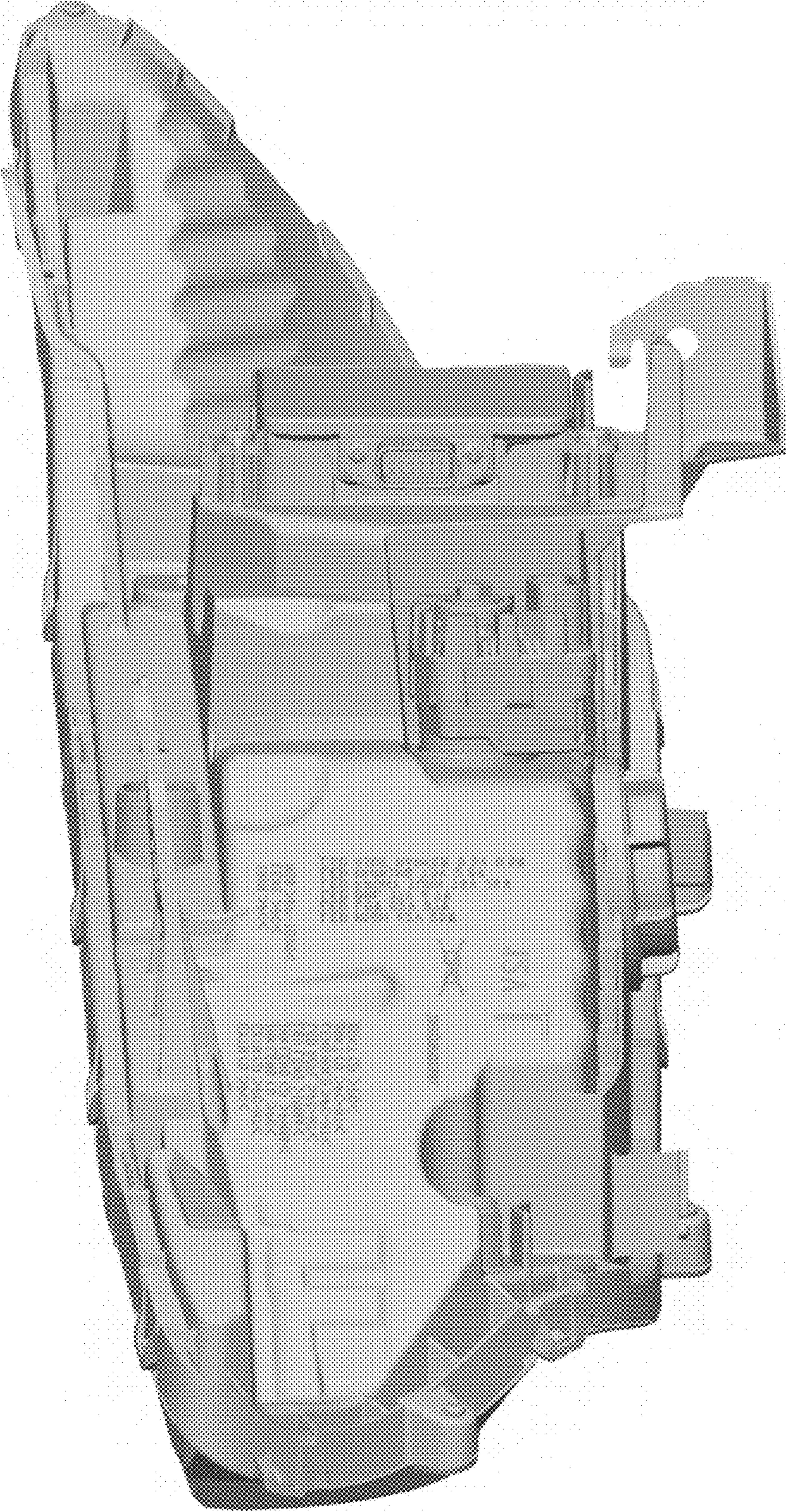


FIGURE 7

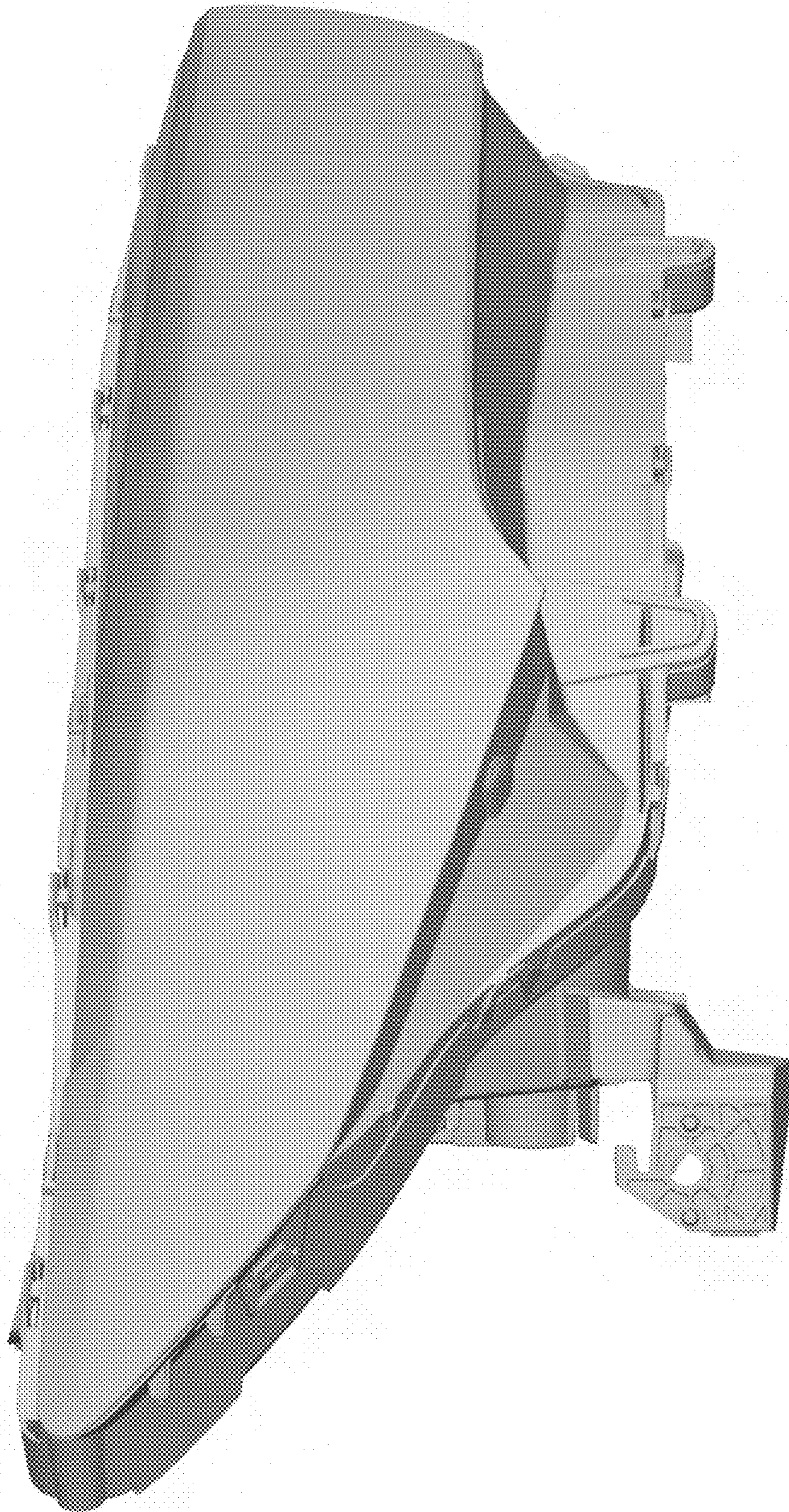


FIGURE 8

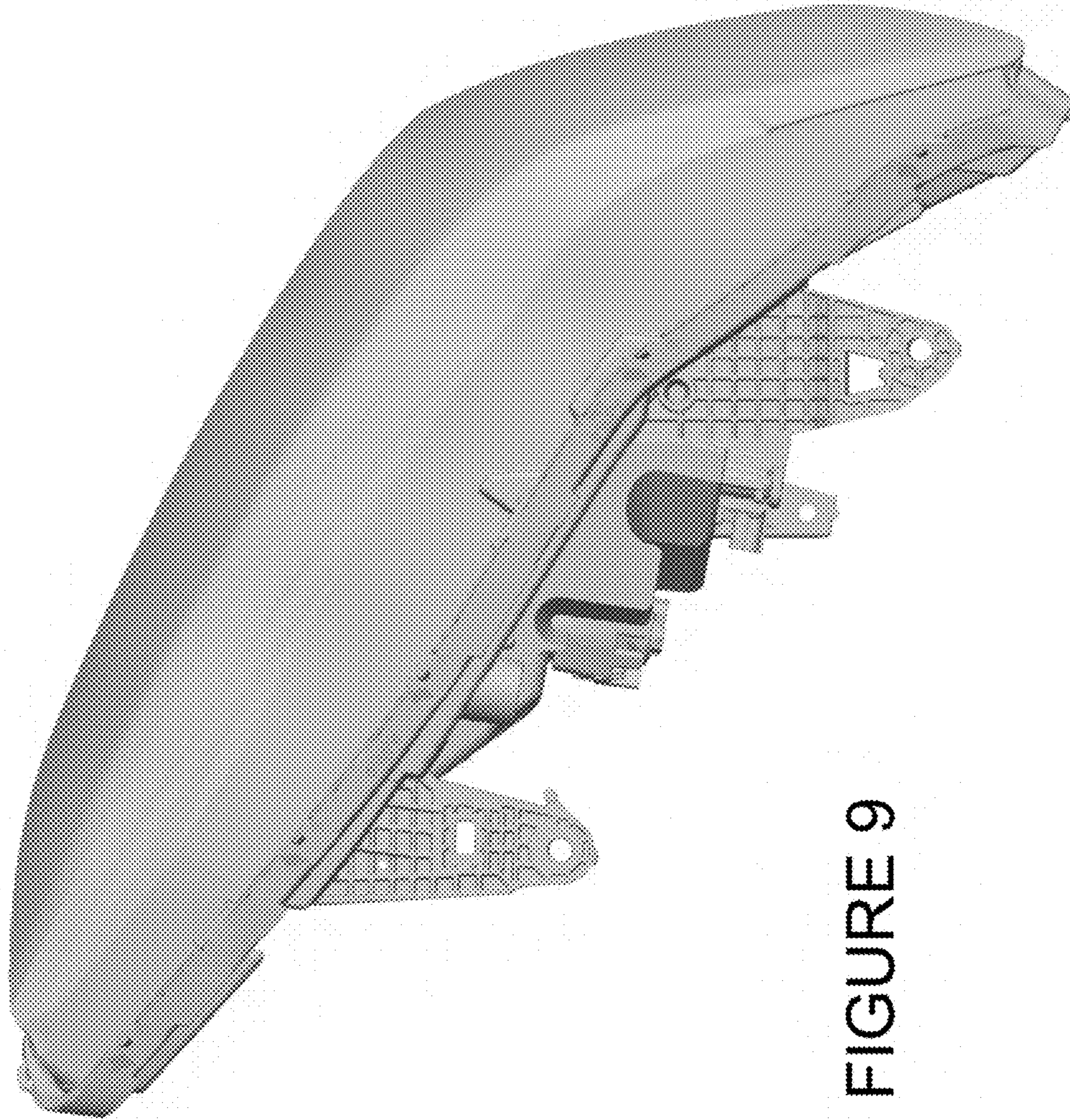


FIGURE 9

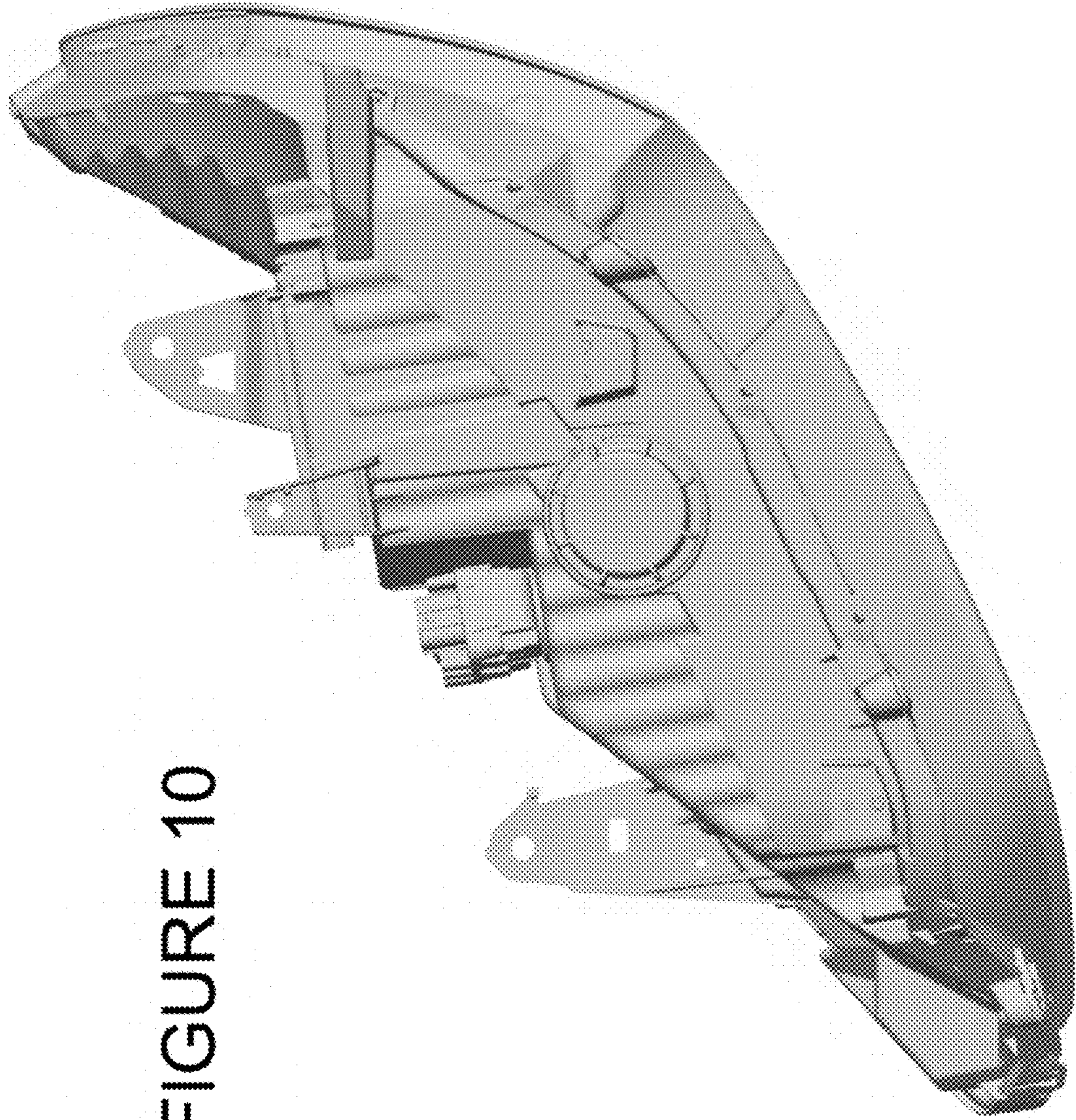


FIGURE 10