



US00D821615S

(12) **United States Design Patent** (10) **Patent No.:** **US D821,615 S**
Trice (45) **Date of Patent:** **** *Jun. 26, 2018**

- (54) **NIGHT LIGHT**
- (71) Applicant: **Douglas Cameron Trice**, Oklahoma City, OK (US)
- (72) Inventor: **Douglas Cameron Trice**, Oklahoma City, OK (US)
- (73) Assignee: **Jasco Products Company LLC**, Oklahoma City, OK (US)
- (*) Notice: This patent is subject to a terminal disclaimer.
- (**) Term: **15 Years**
- (21) Appl. No.: **29/538,169**
- (22) Filed: **Sep. 1, 2015**
- (51) **LOC (11) Cl.** **26-05**
- (52) **U.S. Cl.**
USPC **D26/26**
- (58) **Field of Classification Search**
USPC D26/26, 24, 113, 118, 119, 120;
D23/366, 367, 369; 362/640, 641, 642,
362/643, 644, 650, 651, 652, 653, 659
CPC F21S 8/035; F21V 23/06; F21V 23/0442;
F21W 2121/00; H01R 2103/00
See application file for complete search history.

- (56) **References Cited**
U.S. PATENT DOCUMENTS
D79,366 S * 9/1929 Henderson D26/28
D352,564 S * 11/1994 Marischen D26/26
D376,436 S * 12/1996 Emmerling D26/26
D378,698 S * 4/1997 Ukai D23/393
5,662,408 A * 9/1997 Marischen F21S 8/035
362/253
D403,442 S * 12/1998 Joss D26/26
D435,124 S * 12/2000 Yuen D26/26

- D493,907 S * 8/2004 Benensohn D26/89
- D524,461 S * 7/2006 Molenaar D26/26
- D526,422 S * 8/2006 Yuen D26/26
- D533,956 S * 12/2006 Vladika D26/118
- D534,301 S * 12/2006 Roland D26/118
- D565,207 S * 3/2008 Uemoto D26/1
- D569,529 S * 5/2008 Uemoto D26/1
- D570,506 S * 6/2008 Uemoto D26/1
- D618,833 S * 6/2010 Wei D26/26
- D641,098 S * 7/2011 Wildner D26/85
- D645,175 S * 9/2011 Stolte D26/26
- D711,837 S * 8/2014 Clymer D13/162
- D724,035 S * 3/2015 Flowers D13/162
- D735,402 S * 7/2015 Goyal D26/120
- D751,236 S * 3/2016 Renshaw D26/89
- 2002/0163796 A1 * 11/2002 Dickie H05B 33/02
362/84
- 2006/0077684 A1 * 4/2006 Yuen F21S 8/035
362/555

* cited by examiner

Primary Examiner — Angela J Lee
(74) *Attorney, Agent, or Firm* — Bruce P. LaBrie;
Resolution Legal Group

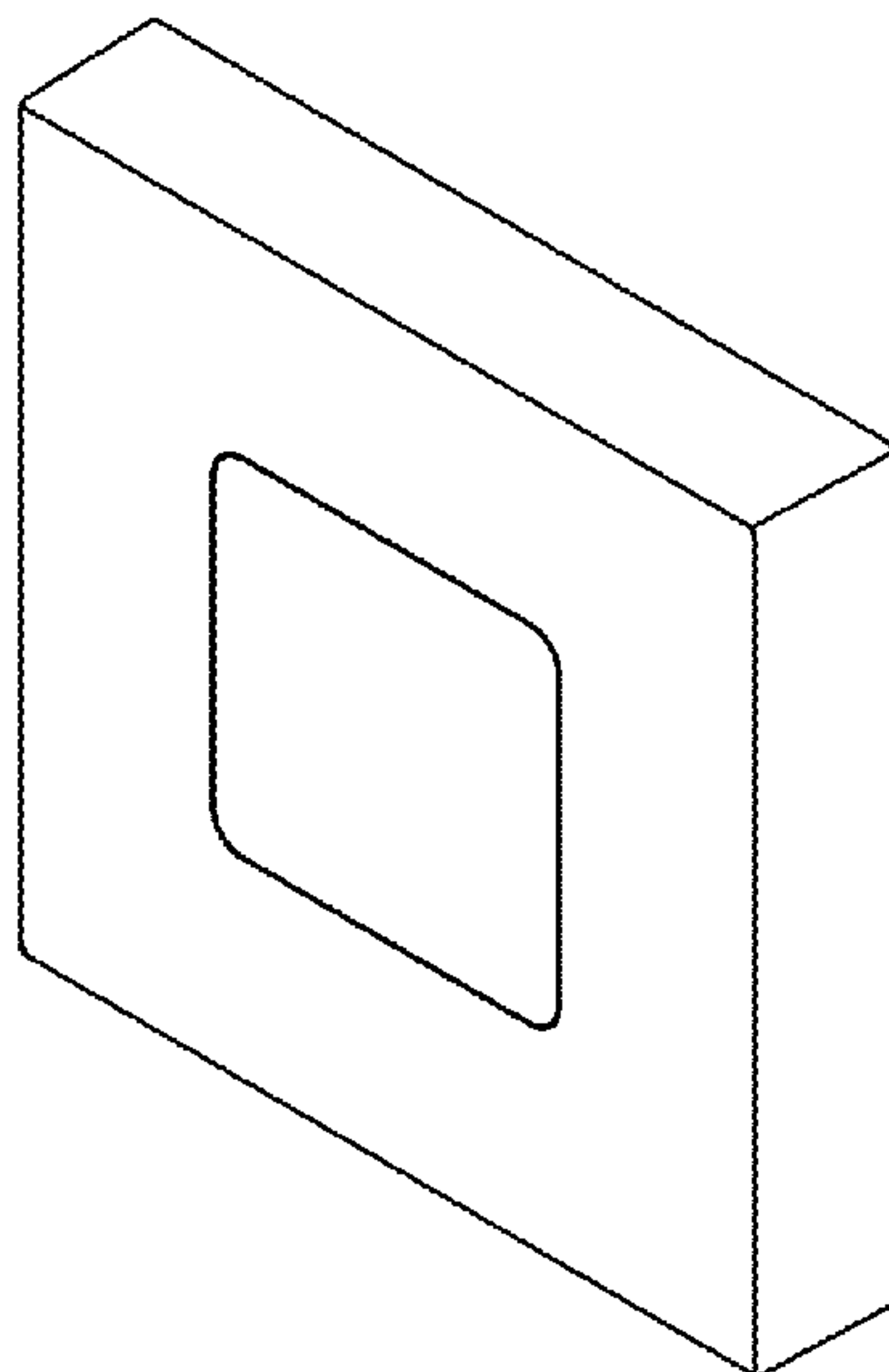
(57) **CLAIM**

The ornamental design for a night light, as shown and described.

DESCRIPTION

FIG. 1 is a left side elevational view of a night light comprising the new design;
FIG. 2 is a front elevational view;
FIG. 3 is a right side elevational view;
FIG. 4 is a rear elevational view;
FIG. 5 is a top view;
FIG. 6 is a bottom view; and,
FIG. 7 is a front perspective view.
The broken lines included in the drawings are for illustrative purposes and form no part of the claimed design.

1 Claim, 2 Drawing Sheets



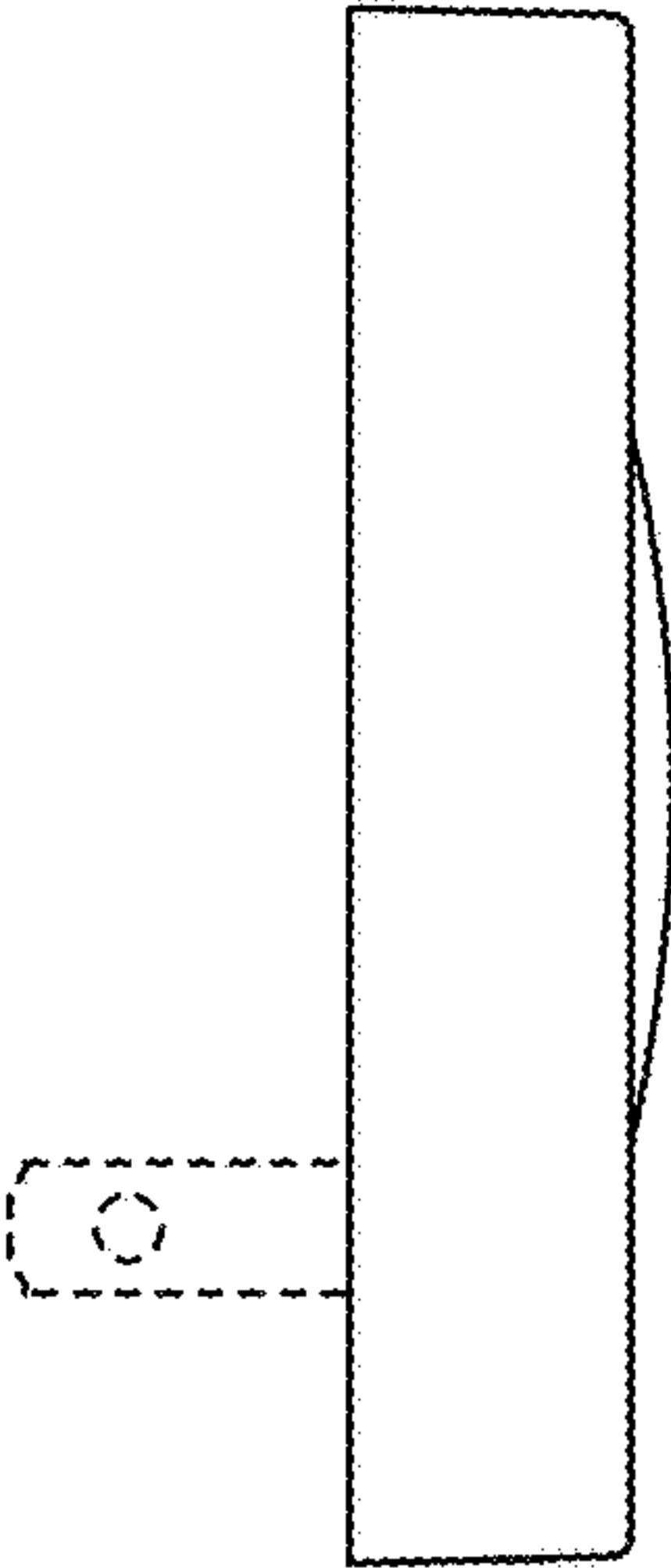


FIG. 1

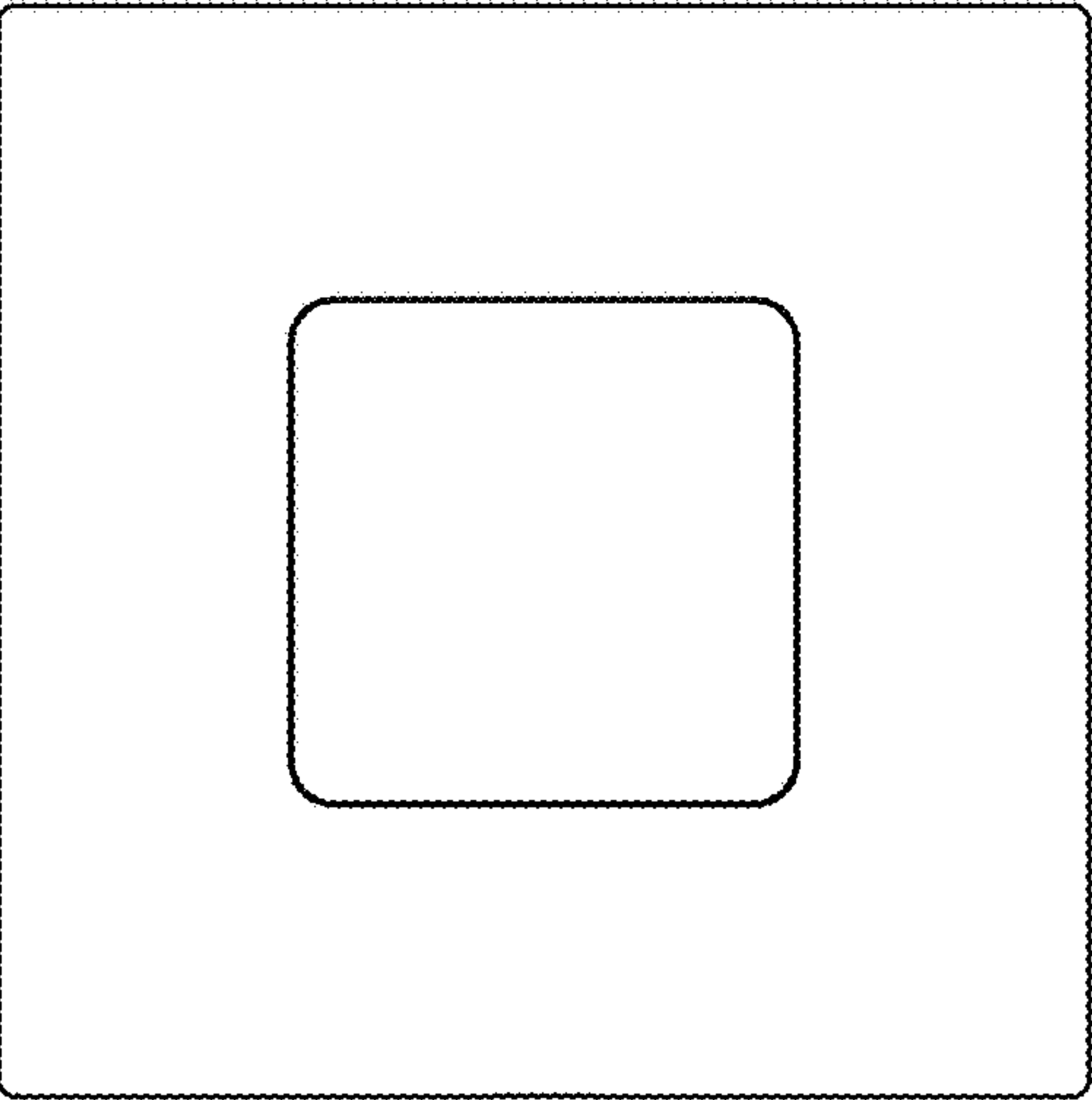


FIG. 2



FIG. 3

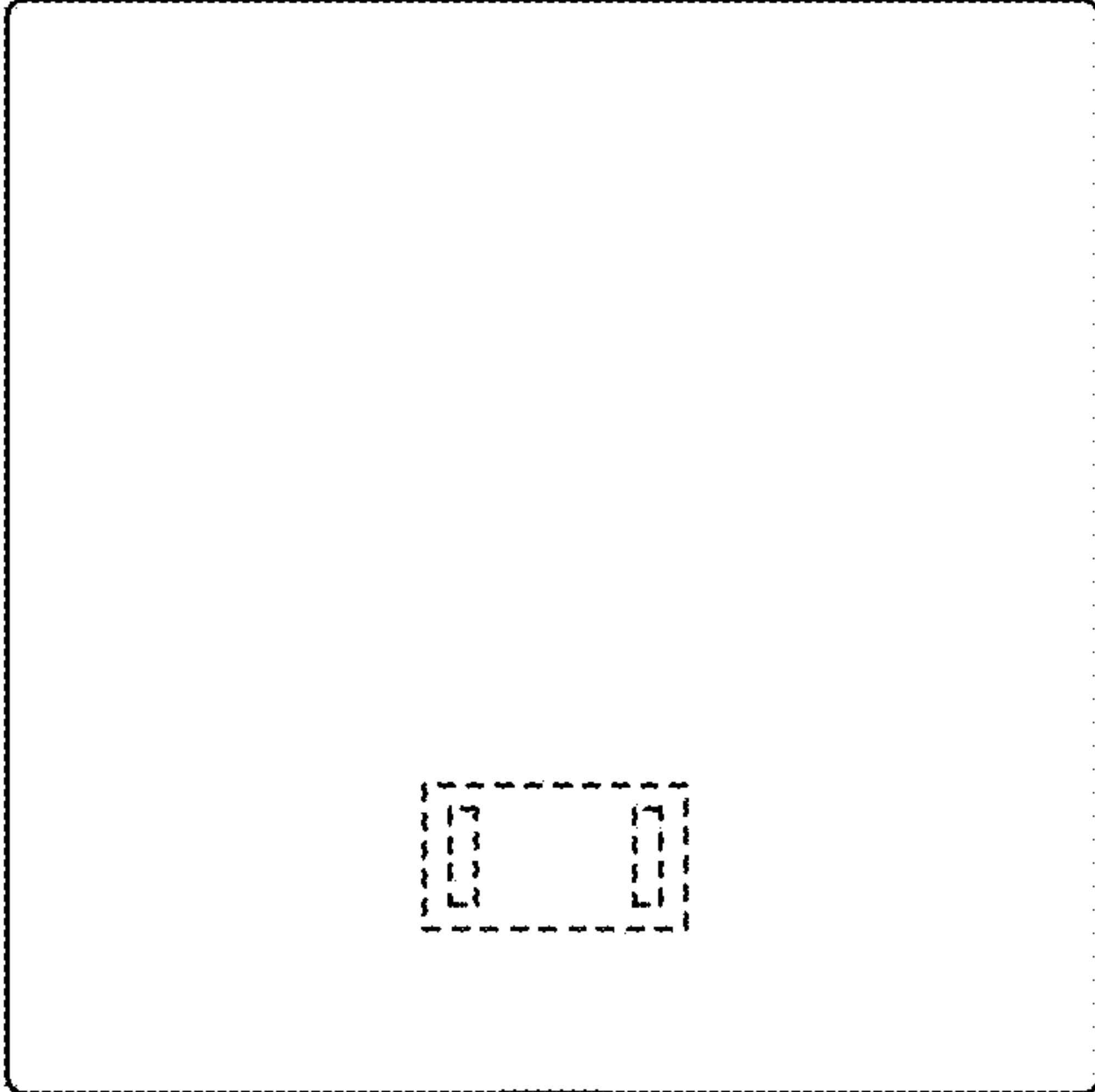


FIG. 4

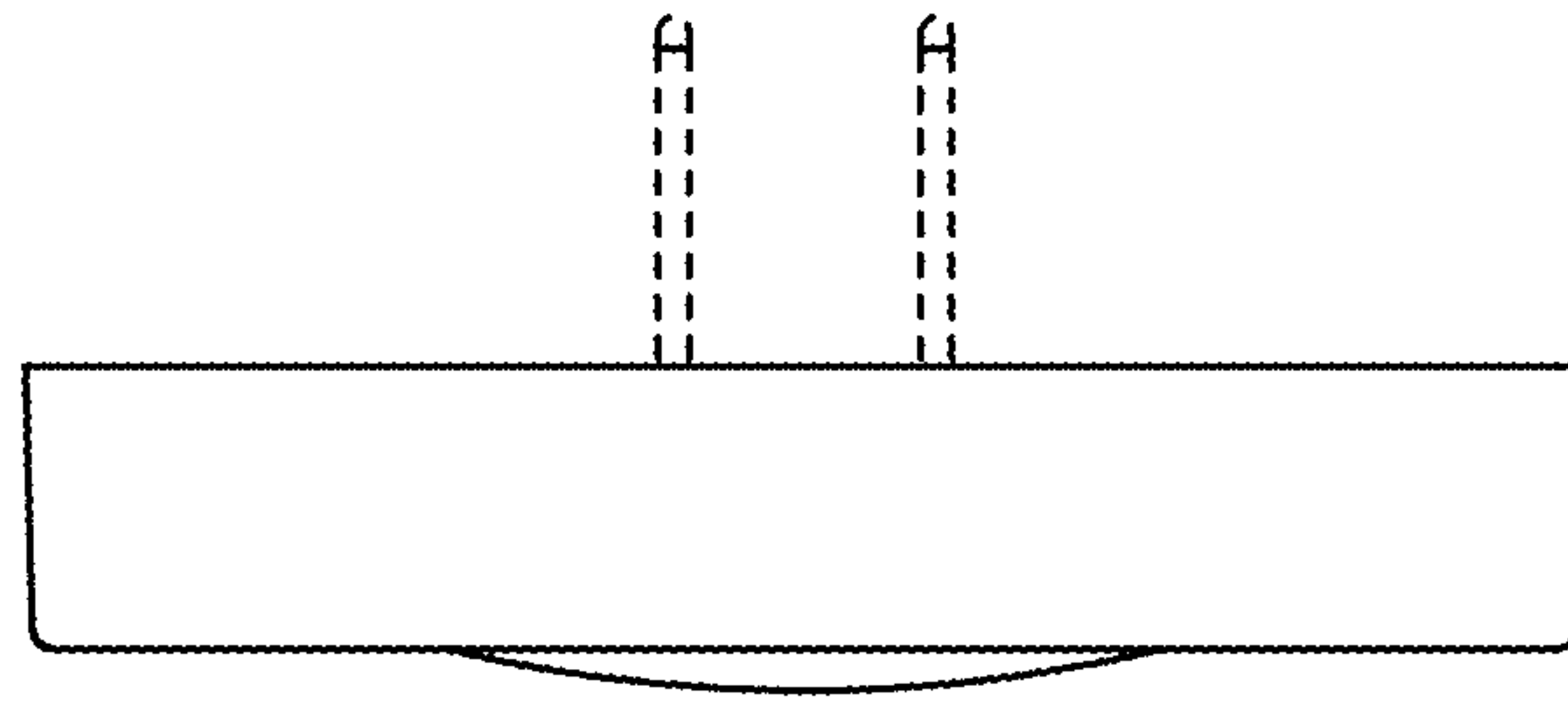


Figure 5

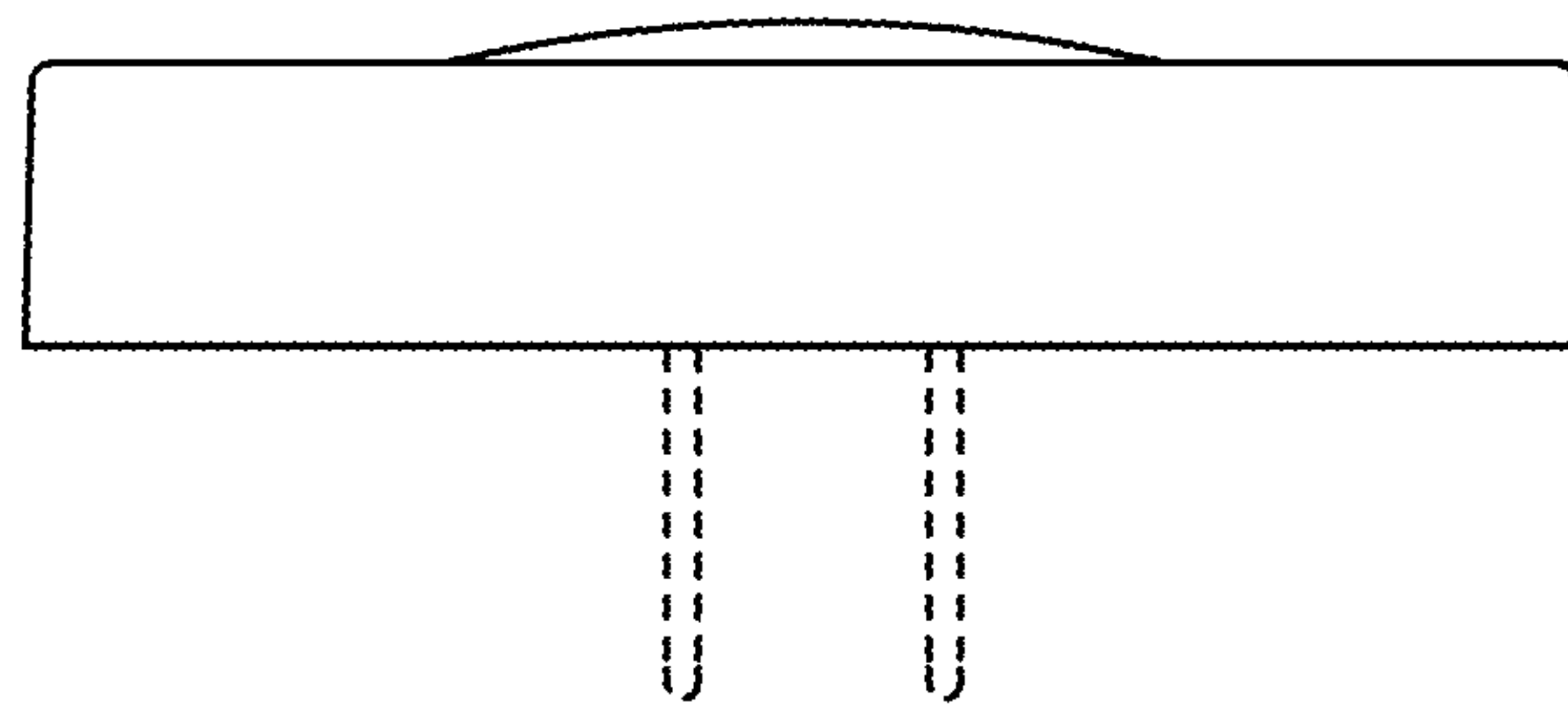


FIG. 6

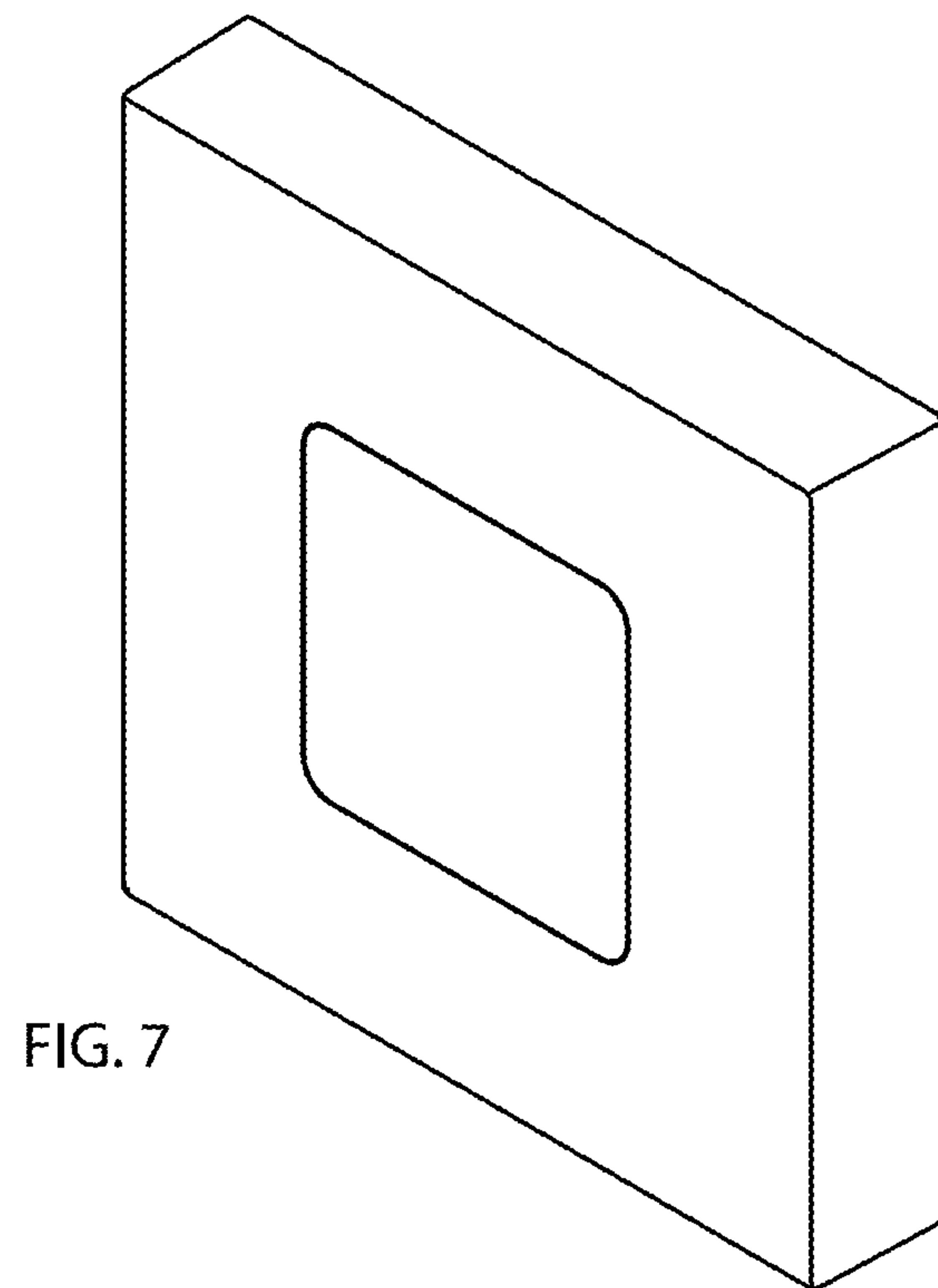


FIG. 7