



US00D821614S

(12) **United States Design Patent**  
**Labesque et al.**

(10) **Patent No.:** **US D821,614 S**  
(45) **Date of Patent:** **\*\* Jun. 26, 2018**

- (54) **PHOTOVOLTAIC ROOF TILE**
- (71) Applicant: **SolarCity Corporation**, San Mateo, CA (US)
- (72) Inventors: **Remy Labesque**, San Francisco, CA (US); **Daniel Flanigan**, Petaluma, CA (US); **Jack West**, San Rafael, CA (US); **Brian Atchley**, Petaluma, CA (US); **Brian West**, Larkspur, CA (US)
- (73) Assignee: **Tesla, Inc.**, Palo Alto, CA (US)
- (\*\*) Term: **15 Years**
- (21) Appl. No.: **29/599,295**
- (22) Filed: **Mar. 31, 2017**
- (51) **LOC (11) Cl.** ..... **25-01**
- (52) **U.S. Cl.**  
USPC ..... **D25/140**
- (58) **Field of Classification Search**  
USPC ..... D25/138-163  
CPC .... E04D 1/00; E04D 1/02; E04D 1/06; E04D 1/12; E04D 1/18; E04D 1/26; E04D 3/00; E04D 3/02; E04D 3/16; E04D 3/24; E04D 3/30; E04D 3/361; E04D 3/362; E04D 3/363; E04D 3/364; E04D 3/368; E04D 2001/005; E04D 2001/3491; E04D 7/005; E04F 2201/0115; E04F 2201/0153; F24J 2002/0046; F24J 2002/0053; F24J 2002/0061; F24J 2002/0069; F24J 2/045; F24J 2/0455; Y02E 10/50  
See application file for complete search history.

- 6,021,611 A \* 2/2000 Wells ..... E04D 1/08 52/309.1
- 6,224,701 B1 \* 5/2001 Bryant ..... E04F 13/0864 156/227
- 6,856,496 B1 2/2005 Mucci et al.
- 7,713,089 B2 5/2010 Faust et al.
- D629,128 S \* 12/2010 Lim ..... D25/138

(Continued)

**OTHER PUBLICATIONS**

Elon Musk Pitches New Custom Solar Panels on Hollywood Backlot (on-line), dated Oct. 31, 2016. Retrieved from Internet Jan. 17, 2018, URL: <http://www.hybridcars.com/elon-musk-pitches-new-custom-solar-panels-on-hollywood-backlot/> (2 pages).\*

(Continued)

*Primary Examiner* — Vy Koenig  
*Assistant Examiner* — Kimberly Barnes  
(74) *Attorney, Agent, or Firm* — Kilpatrick Townsend & Stockton LLP

(57) **CLAIM**

The ornamental design for a photovoltaic roof tile, as shown and described.

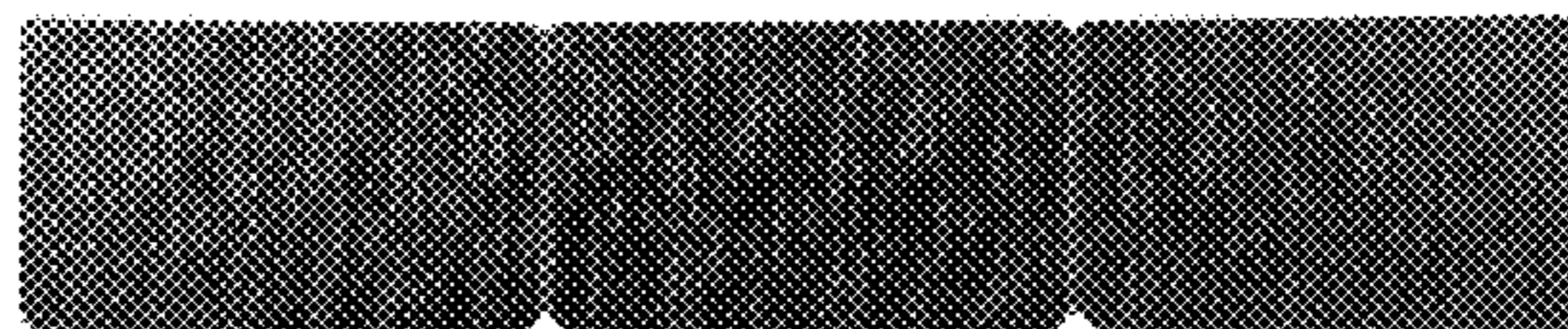
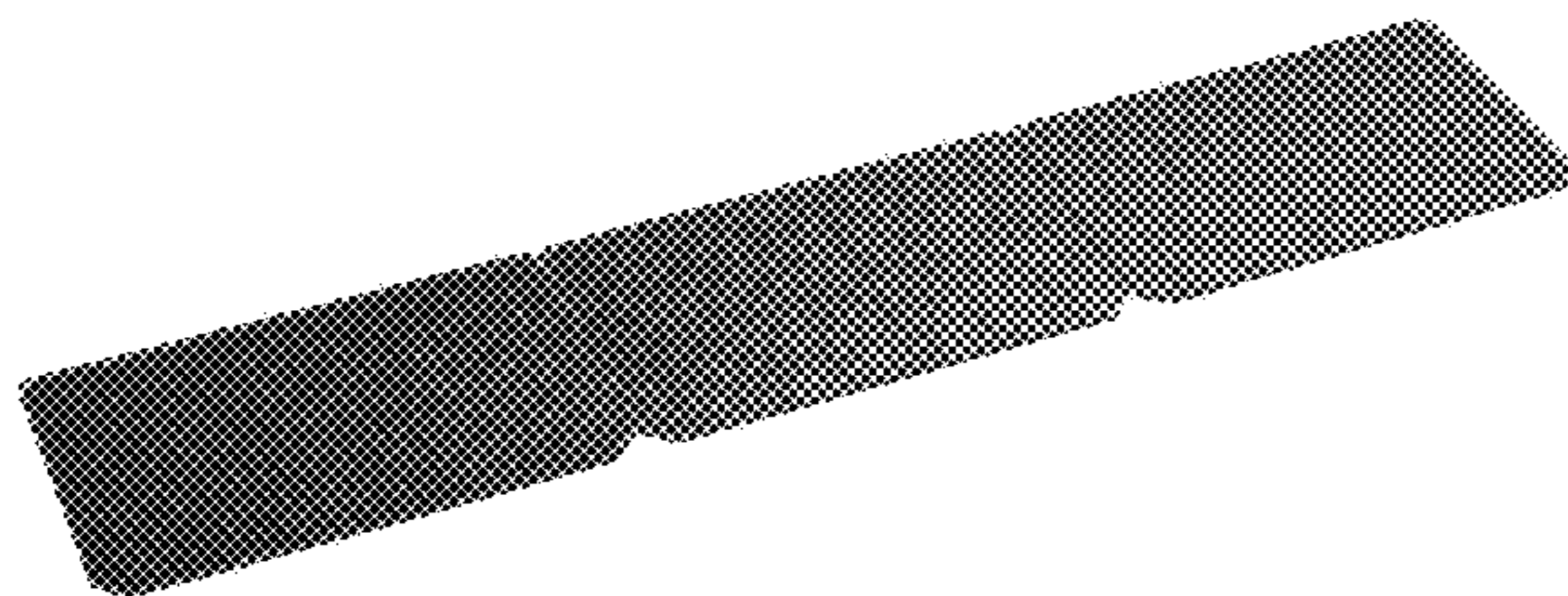
**DESCRIPTION**

The file of this patent contains at least one drawing/photograph executed in color. Copies of this patent with color drawing(s)/photograph(s) will be provided by the Office upon request and payment of the necessary fee.

FIG. 1 is a top front perspective view of a photovoltaic roof tile showing the claimed design;  
FIG. 2 is a top rear perspective view thereof;  
FIG. 3 is a top view thereof;  
FIG. 4 is a left side view thereof;  
FIG. 5 is a right side view thereof;  
FIG. 6 is a front view thereof; and,  
FIG. 7 is a rear view thereof.

**1 Claim, 2 Drawing Sheets**  
**(2 of 2 Drawing Sheet(s) Filed in Color)**

- (56) **References Cited**  
U.S. PATENT DOCUMENTS  
5,711,126 A \* 1/1998 Wells ..... E04D 1/30 52/309.1  
5,986,203 A 11/1999 Hanoka et al.



(56)

**References Cited**

## U.S. PATENT DOCUMENTS

7,877,949 B1 \* 2/2011 Elliott ..... E04D 1/26  
52/314  
8,209,938 B2 \* 7/2012 Gaudreau ..... B29C 45/03  
52/311.1  
8,476,523 B2 7/2013 Bennett  
D730,063 S \* 5/2015 Korkala ..... D5/60  
D731,798 S \* 6/2015 Korkala ..... D5/60  
9,091,086 B2 \* 7/2015 Michalski ..... E04F 13/0894  
9,166,523 B2 10/2015 Kiik et al.  
9,169,646 B2 10/2015 Rodrigues et al.  
D768,314 S \* 10/2016 Wade ..... D25/141  
D801,548 S \* 10/2017 Panzera ..... D25/103  
2005/0257477 A1 \* 11/2005 Beetler ..... E04D 1/16  
52/553  
2016/0164453 A1 \* 6/2016 Cropper ..... H02S 20/25  
136/251

## OTHER PUBLICATIONS

Tesla's Solar Panel Roof: Solar Glass Tiles are the New Solar Shingles (on-line), dated Nov. 7, 2016. Retrieved from Internet Jan. 17, 2018, URL: <https://web.archive.org/web/20161107035834/https://news.energysage.com/tesla-solar-panel-roof-the-next-solar-shingles/> (4 pages).\*

ArchiExpo, "PV roof tiles," (<http://www.archiexpo.com/architecture-design-manufacturer/pv-roof-tile-1665.html>), retrieved Feb. 9, 2017, 9 pages.

Designboom, "SolTech energy: crystalline solar panel roofing system," (<http://www.designboom.com/technology/soltech-energy-crystalline-solar-panel-roofing-system>), retrieved Feb. 9, 2017, 6 pages.

\* cited by examiner

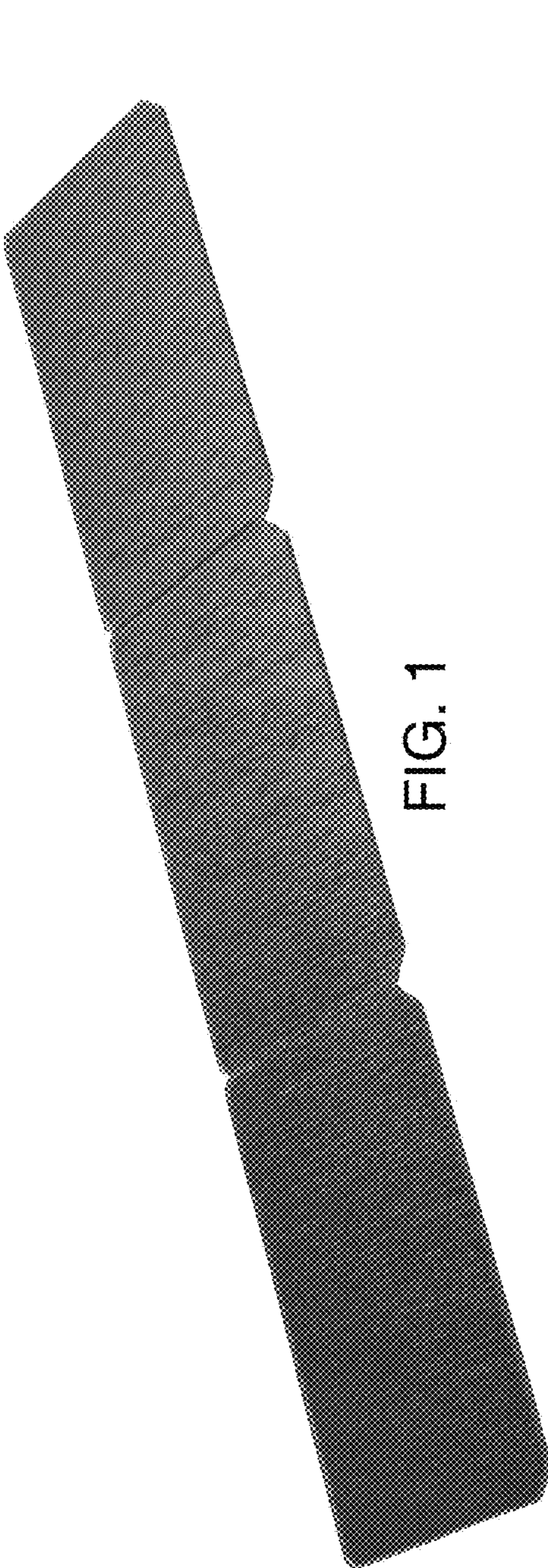


FIG. 1

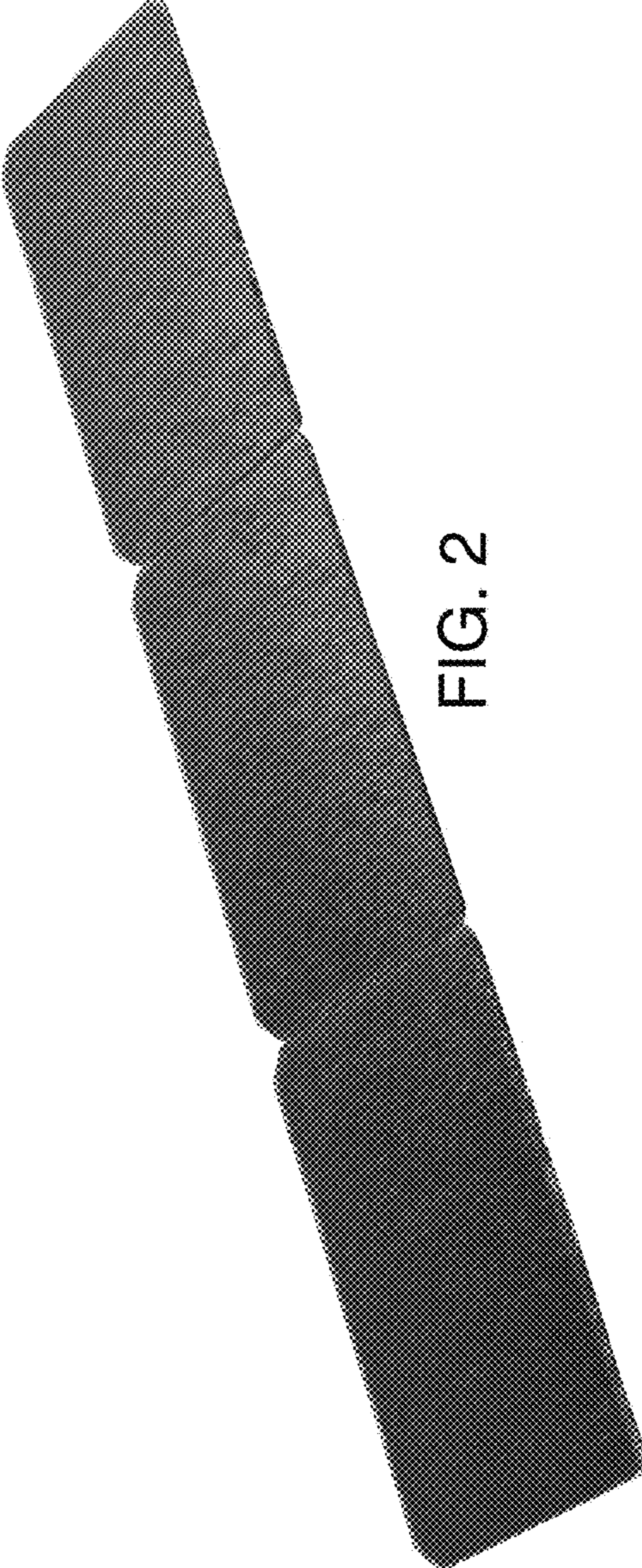


FIG. 2

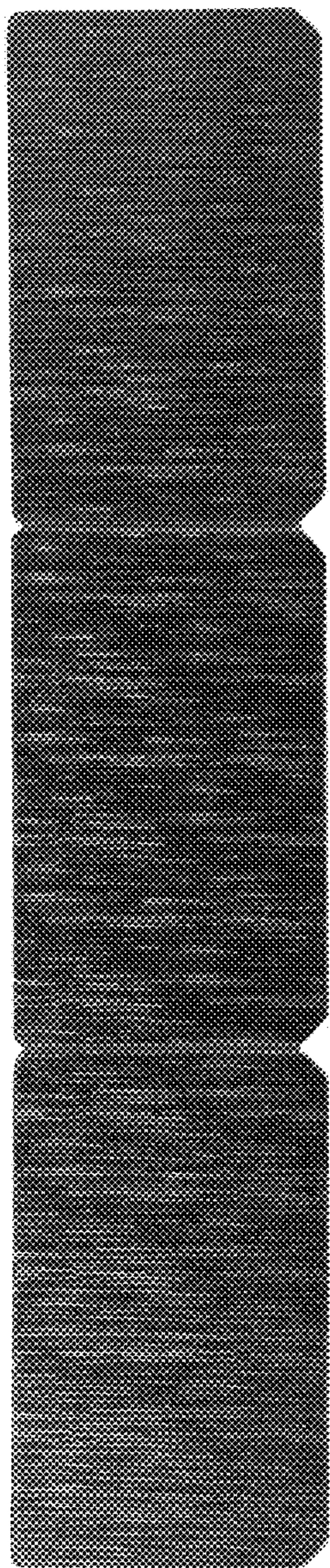


FIG. 3



FIG. 4



FIG. 5



FIG. 6



FIG. 7