



US00D821612S

(12) **United States Design Patent**
Lankford

(10) **Patent No.:** **US D821,612 S**
(45) **Date of Patent:** **** Jun. 26, 2018**

- (54) **POST CAP**
- (71) Applicant: **Mark Lankford**, Ben Wheeler, TX
(US)
- (72) Inventor: **Mark Lankford**, Ben Wheeler, TX
(US)
- (73) Assignee: **Mark Lankford**, Ben Wheeler, TX
(US)
- (**) Term: **15 Years**
- (21) Appl. No.: **29/569,029**
- (22) Filed: **Jun. 23, 2016**
- (51) **LOC (11) Cl.** **25-01**
- (52) **U.S. Cl.**
USPC **D25/135; D8/354**
- (58) **Field of Classification Search**
USPC D25/126, 127, 128, 129, 130, 131, 132,
D25/133, 134, 135; 52/93.1, 149, 169.9,
52/300, 301, 302.5, 345, 831, 832, 833,
52/834, 835; 256/47, 65.01, 22, 21, 34,
256/35; D8/349, 354, 355, 356, 380,
D8/307, 310, 313, 316, 317, 321, 322
CPC . E04H 12/2215; E04H 12/16; E04H 12/2292;
E04H 12/24; E04H 17/20; E04H
2017/006; F16L 33/213; A47B 95/02;
B43M 15/00; F16B 21/06; F16B 35/06;
Y10T 16/462
See application file for complete search history.

D716,636 S *	11/2014	McDonald	D8/354
D716,637 S *	11/2014	McDonald	D8/354
D716,638 S *	11/2014	McDonald	D8/354
D737,997 S *	9/2015	Cassidy	D25/133
D756,200 S *	5/2016	McDonald	D8/354
2002/0043036 A1 *	4/2002	Nesbitt	E04H 17/20 52/301

* cited by examiner

Primary Examiner — Garth Rademaker
Assistant Examiner — Samantha Q Lawrence
(74) *Attorney, Agent, or Firm* — Wenderoth, Lind & Ponack, LLP

(57) **CLAIM**

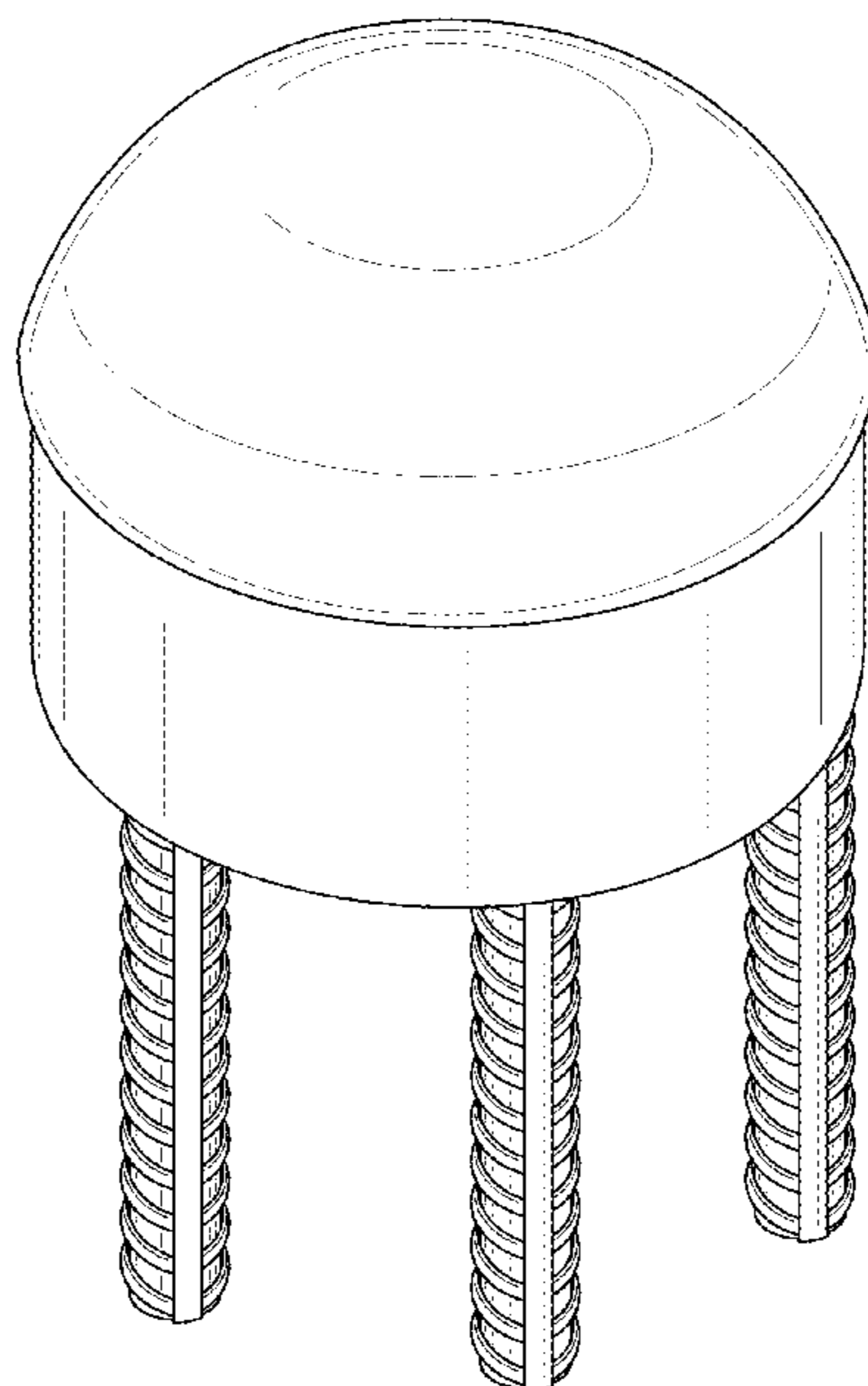
The ornamental design for a post cap, as shown and described.

DESCRIPTION

FIG. 1 is a perspective view of a post cap;
FIG. 2 is a front view thereof;
FIG. 3 is a rear view thereof;
FIG. 4 is a right side view thereof;
FIG. 5 is a left side view thereof;
FIG. 6 is a top view thereof; and,
FIG. 7 is a bottom view thereof.
The broken lines in FIG. 7 depict portions of the post cap that form no part of the claimed design. The dash-dot lines shown in FIG. 7 illustrate a boundary line and form no part of the claimed design.

- (56) **References Cited**
U.S. PATENT DOCUMENTS
D672,479 S * 12/2012 Monaco D25/133
D711,557 S * 8/2014 Halfmann D25/135

1 Claim, 7 Drawing Sheets



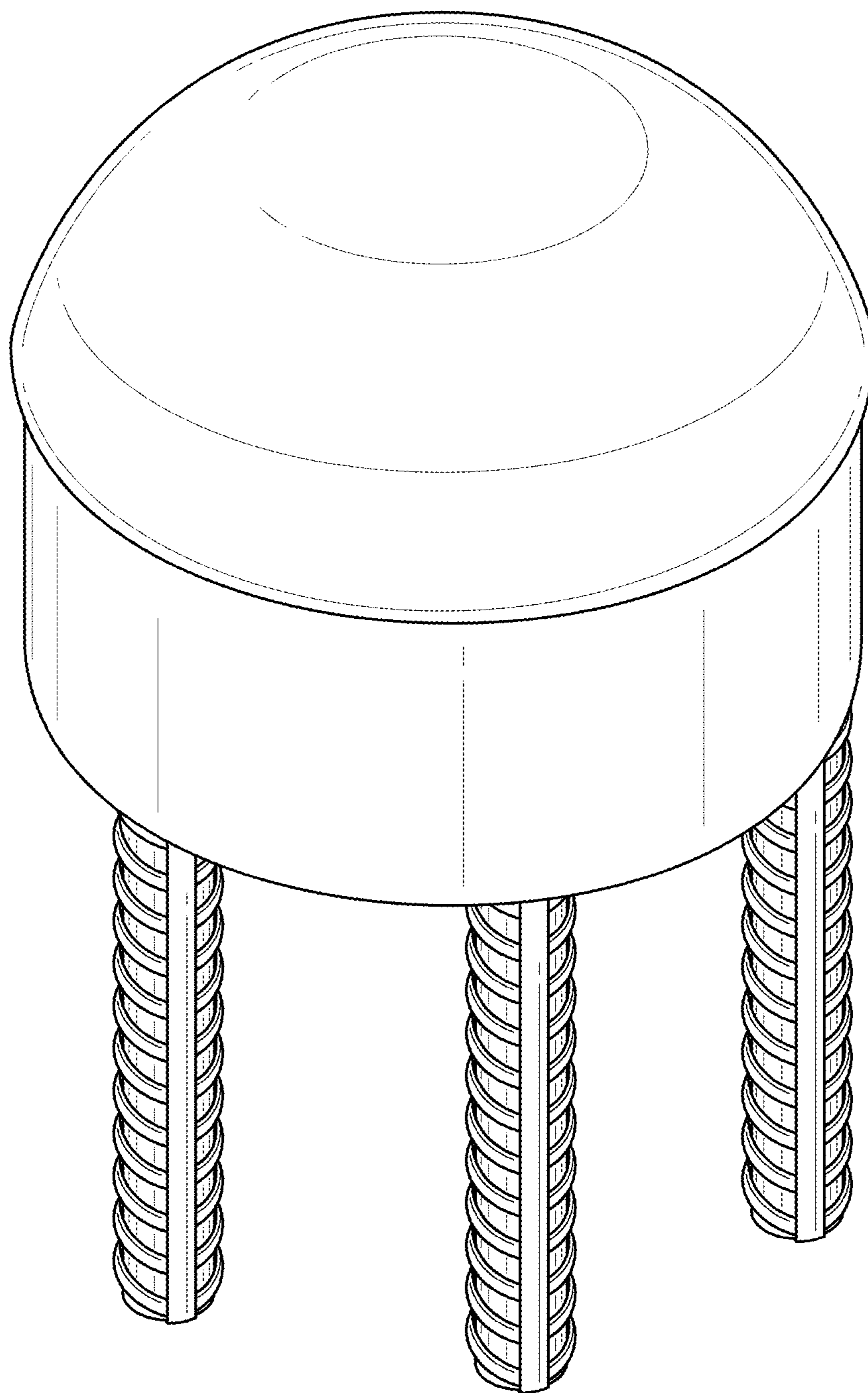


FIG. 1

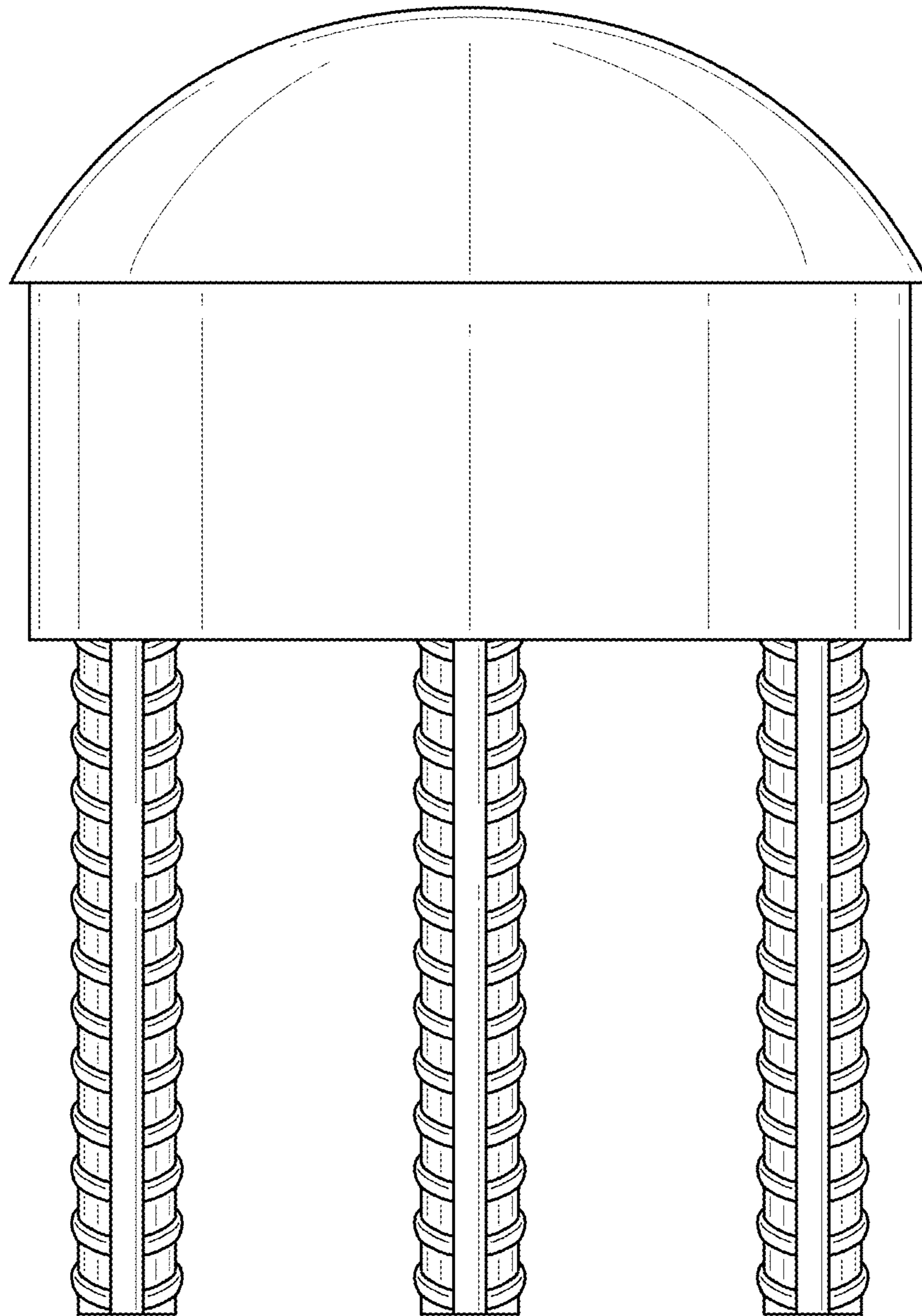


FIG. 2

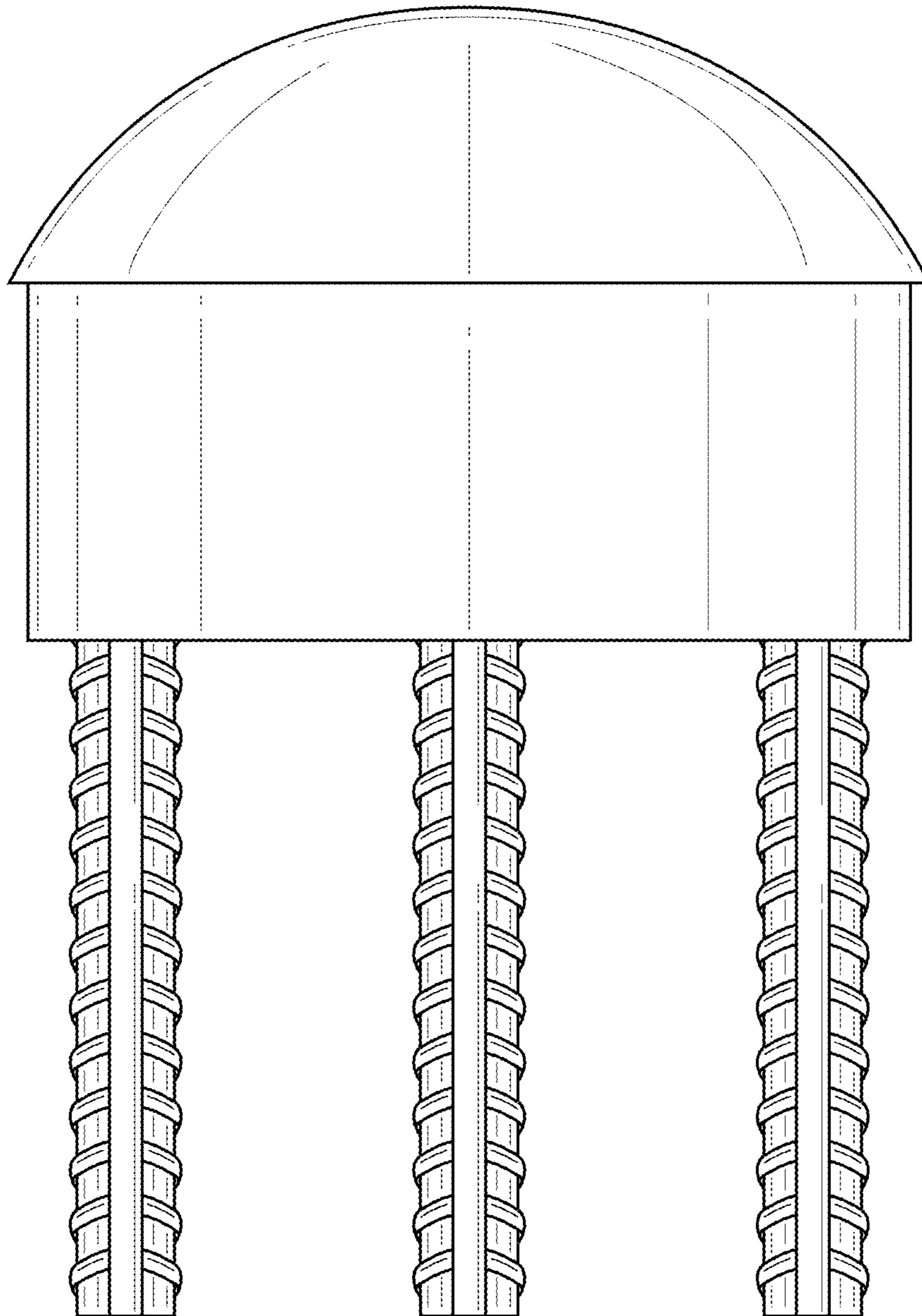


FIG. 3

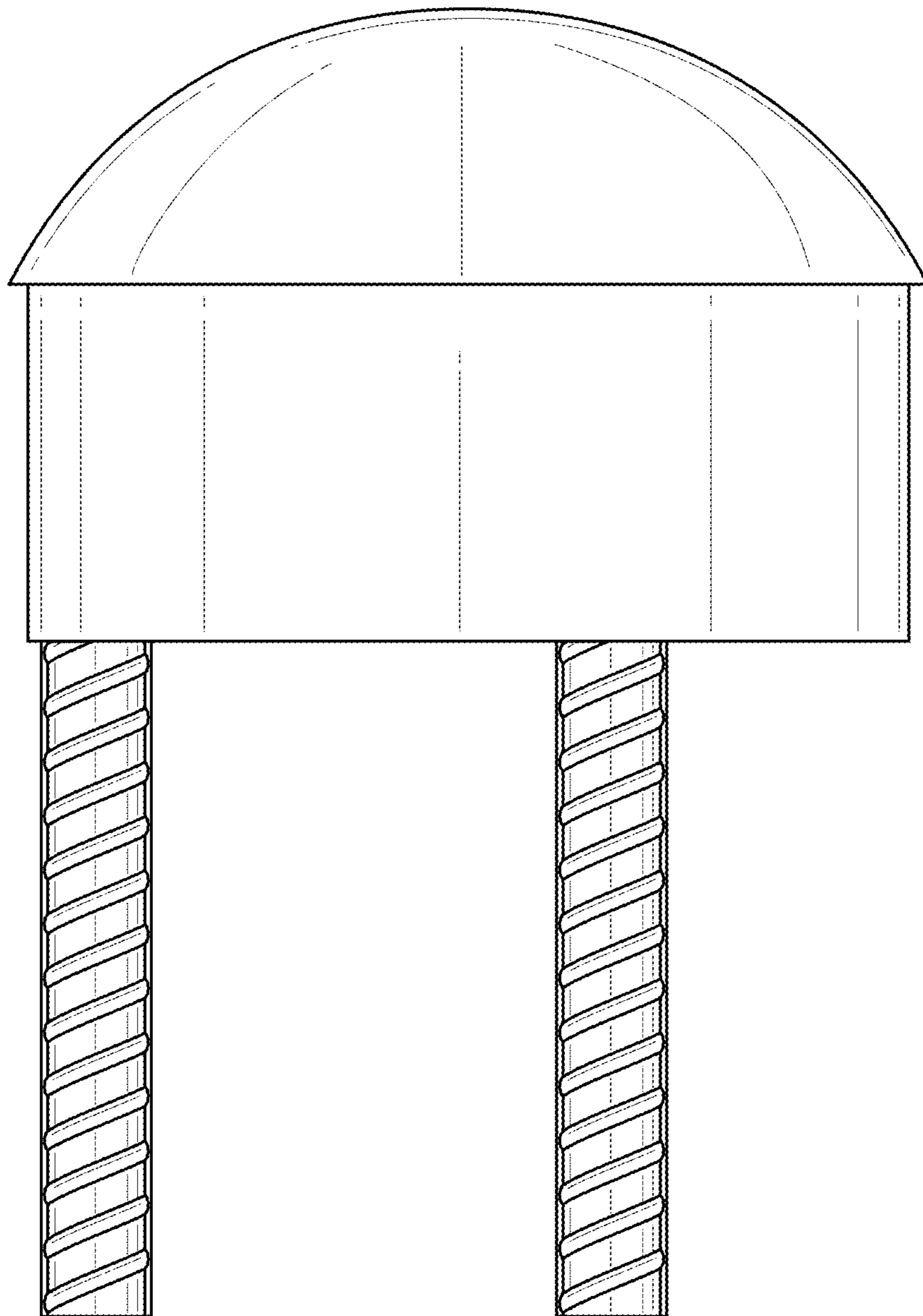


FIG. 4

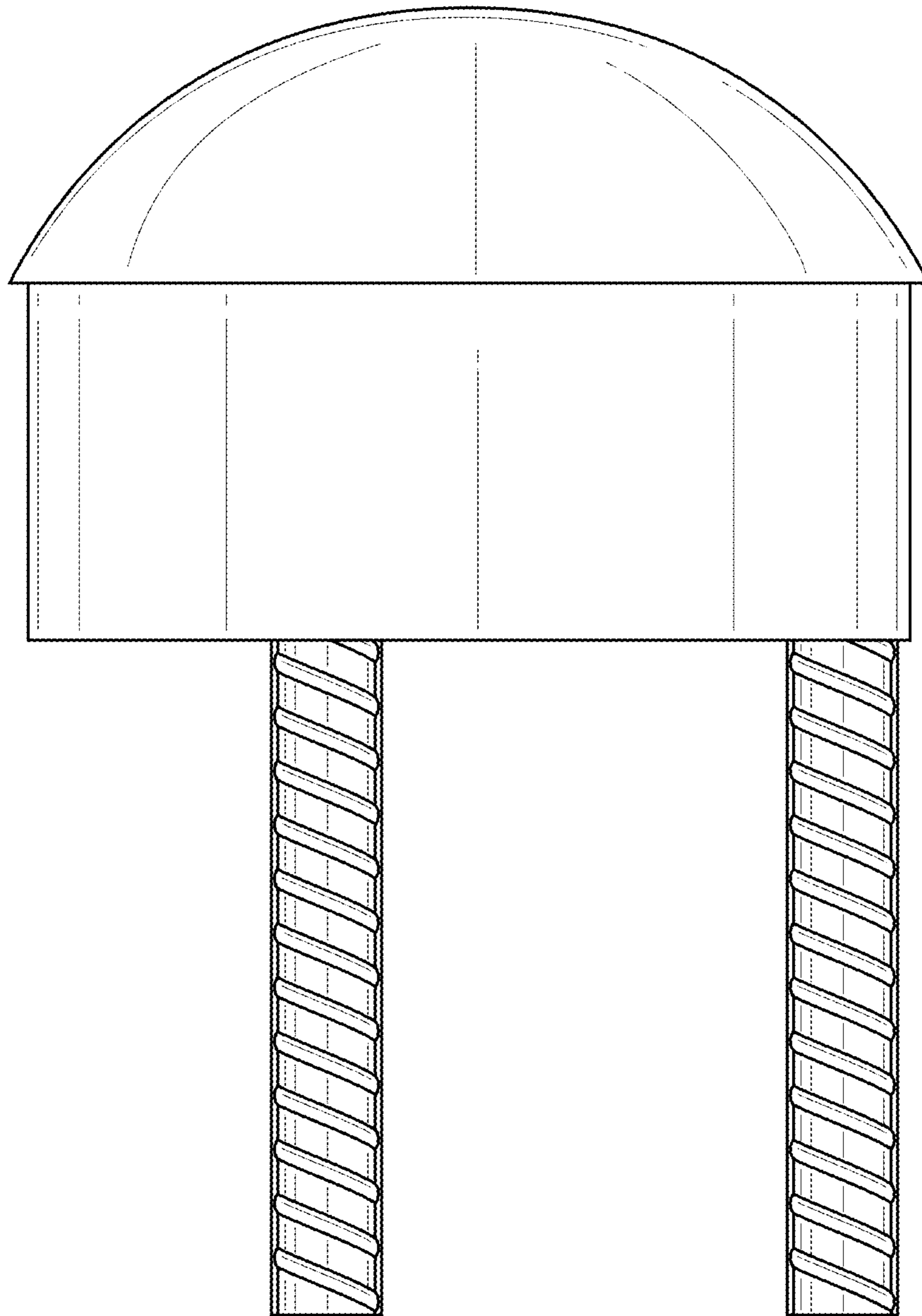


FIG. 5

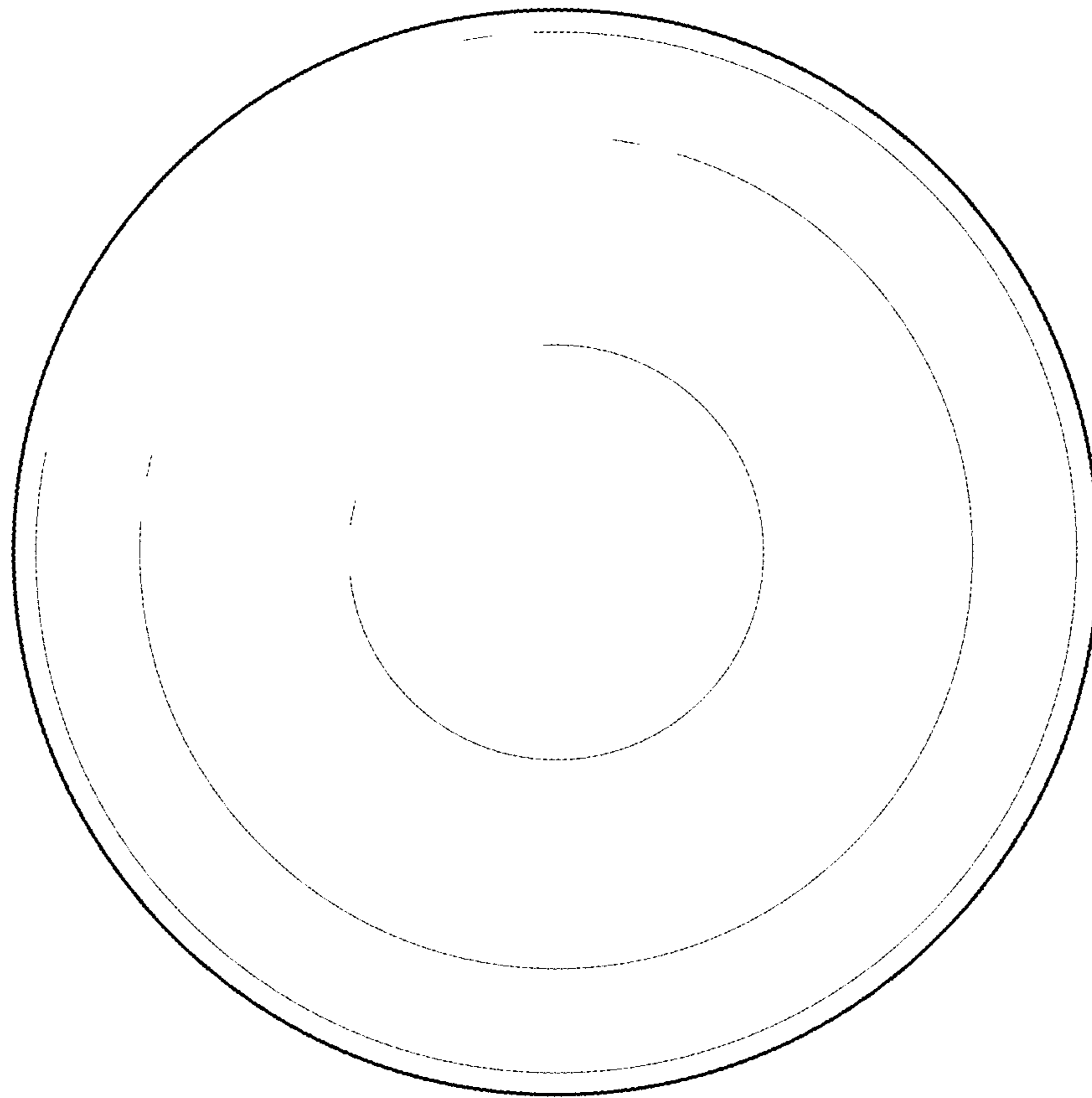


FIG. 6

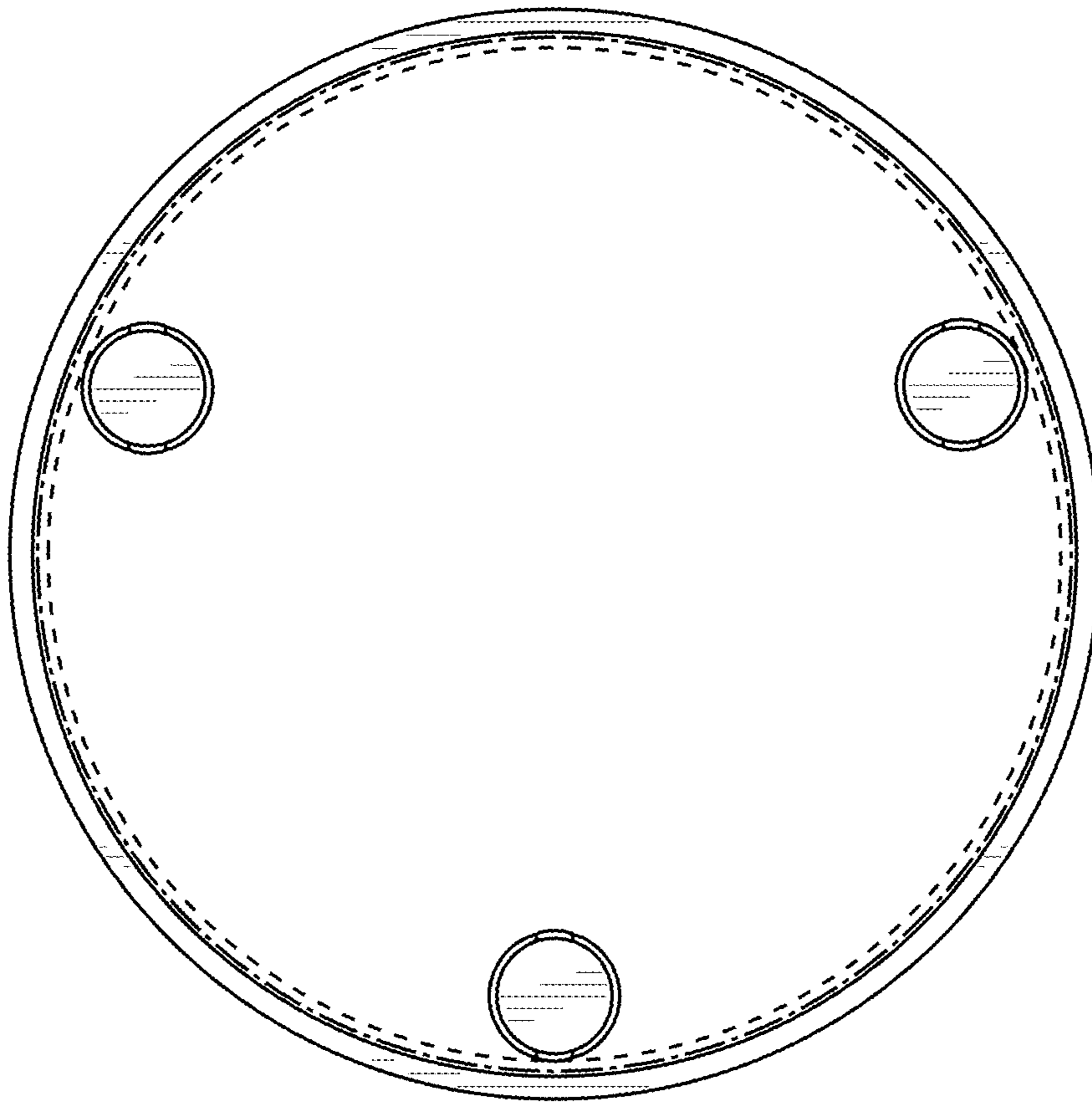


FIG. 7