



US00D821611S

(12) **United States Design Patent**  
**Singh**

(10) **Patent No.:** **US D821,611 S**  
(45) **Date of Patent:** **\*\* Jun. 26, 2018**

- (54) **TRIM REVEAL EXTRUSION**
- (71) Applicant: **Joshua George Singh**, Calgary (CA)
- (72) Inventor: **Joshua George Singh**, Calgary (CA)
- (\*\*) Term: **15 Years**
- (21) Appl. No.: **29/605,100**
- (22) Filed: **May 23, 2017**
- (51) **LOC (11) Cl.** ..... **25-01**
- (52) **U.S. Cl.**  
USPC ..... **D25/119**
- (58) **Field of Classification Search**  
USPC ..... D25/35, 38.1, 41.1, 47.1, 48.2, 48.3,  
D25/48.4, 55, 119–137, 164, 199;  
D8/349, 353, 354, 355, 363, 373, 376,  
D8/380, 381, 382, 403; D6/324, 327,  
D6/648.1, 653.11, 654.11, 702, 712,  
D6/718.12, 512, 554, 556  
CPC ... E04C 3/00; E04C 3/005; E04C 3/02; E04C  
3/04; E04C 3/12; E04C 3/20; E04C 3/28;  
E04C 3/30; E06B 1/00; E06B 1/006;  
E06B 1/02; E06B 1/04; E06B 1/045;  
E06B 1/06; E06B 1/12; E06B 1/16; E06B  
1/26; E06B 1/30; E06B 1/32; E06B  
1/325; E06B 1/34; E06B 1/342; E06B  
1/345; E06B 1/347; E06B 1/36; E06B  
1/363; E06B 1/366; E06B 1/38; E06B  
1/40; E06B 1/52; E06B 1/522; E06B  
1/524; E06B 1/526; E06B 1/528; E06B  
1/56; E06B 1/60; E06B 1/6092; E06B  
1/62; E06B 1/70; E06B 1/702; E06B  
1/705; E06B 1/707; E04B 2/00; E04B  
2/74; E04B 2/76; E04B 2/761; E04B  
2/762; E04B 2/763; E04B 2/764; E04B  
2/765; E04B 2/7854; E04B 2/7863; E04B  
2/7872; E04B 2/7881; E04B 2/789; E04B  
2001/2436; E04B 2001/2439; E04B  
2001/2442; E04B 2001/2445; E04B  
2001/2448; E04B 2001/2451; E04B  
2001/2454; E04B 2001/2457; E04B

2001/246; E04B 2001/2463; E04F 19/02;  
E04F 19/022; E04F 19/026; E04F 19/028;  
E04F 19/04; E04F 19/0436; E04F  
19/0481; E04F 19/0486; E04F 19/06;  
E04F 19/061; E04F 19/064; E04F  
2019/0404; E04F 2019/0413; E04F  
2019/0422; E04F 2019/0454

See application file for complete search history.

(56) **References Cited**

U.S. PATENT DOCUMENTS

- 3,402,560 A \* 9/1968 Staffan ..... B62D 33/06  
181/230
- 3,477,187 A \* 11/1969 Fruman ..... E04F 13/0803  
52/346
- 3,524,292 A \* 8/1970 Bottom ..... E04D 3/363  
52/522

(Continued)

*Primary Examiner* — Cynthia Ramirez  
*Assistant Examiner* — L. Martinez-Rivera

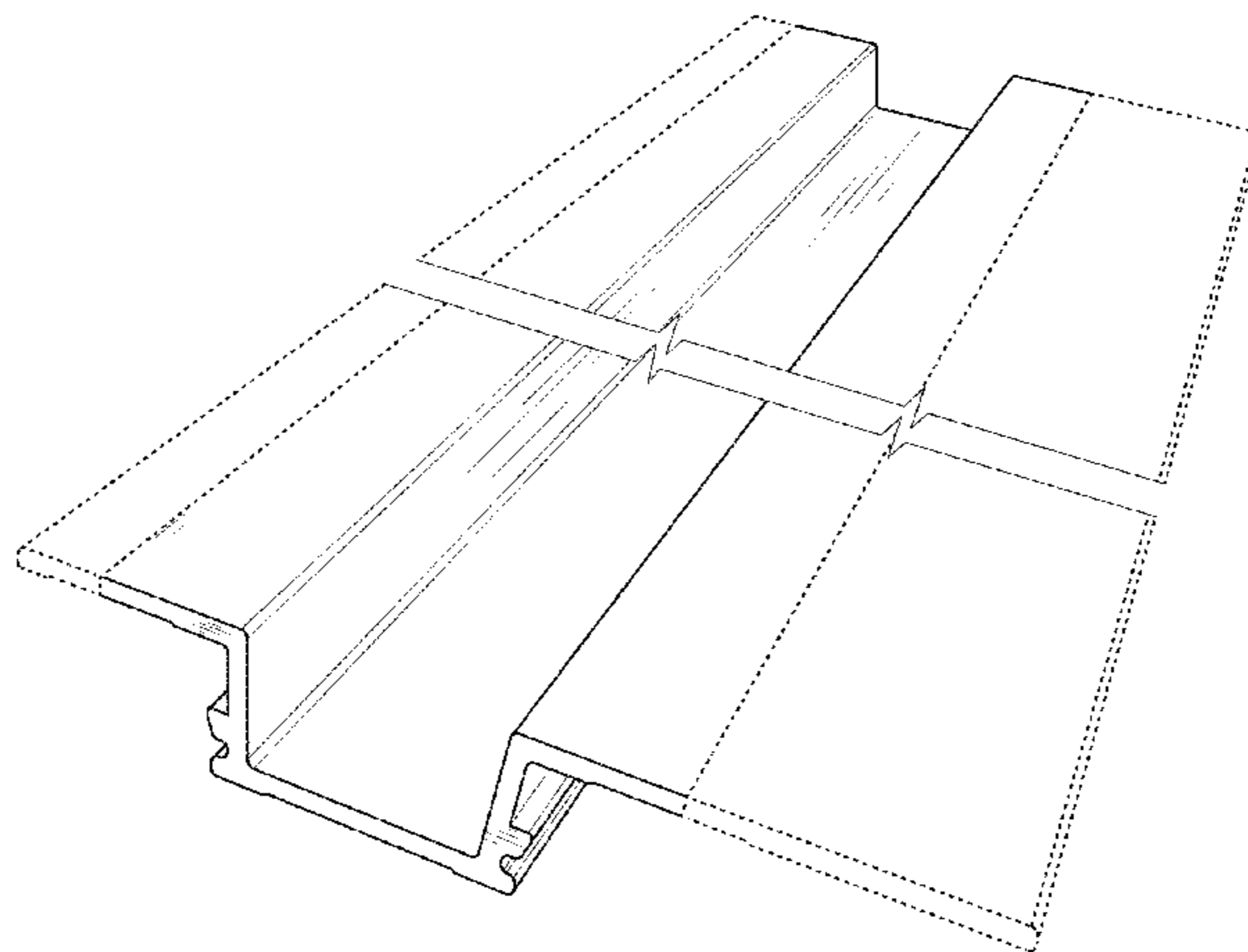
(57) **CLAIM**

The ornamental design for a trim reveal extrusion, as shown and described.

**DESCRIPTION**

FIG. 1 is a perspective view of a trim reveal extrusion showing my new design.  
FIG. 2 is an end elevational view thereof; and,  
FIG. 3 is an end view of the design as used in a representative environment.  
The broken lines immediately adjacent to the shaded area represent unclaimed boundaries of the design. The remainder of the broken lines in FIG. 3 illustrate environmental subject matter only and form no part of the claimed design. The trim reveal extrusion is shown with a symbolic break in its length. The appearance of any portion of the trim reveal extrusion between the jagged break lines forms no part of the claimed design.

**1 Claim, 1 Drawing Sheet**



(56)

**References Cited**

U.S. PATENT DOCUMENTS

D335,624	S	*	5/1993	Siener	.....	D25/123
D421,807	S	*	3/2000	Reid	.....	D25/125
D441,876	S	*	5/2001	Eaton	.....	D25/121
D442,705	S	*	5/2001	Eaton	.....	D25/121
D443,368	S	*	6/2001	Eaton	.....	D25/121
D452,016	S	*	12/2001	Hall	.....	D25/121
D507,665	S	*	7/2005	Ryan	.....	D25/119
D582,569	S	*	12/2008	Moreau	.....	D25/119
D583,965	S	*	12/2008	Castellanos	.....	D25/121
D598,138	S	*	8/2009	Bergmann	.....	D25/121
D598,139	S	*	8/2009	Bergmann	.....	D25/122
D689,199	S	*	9/2013	Elizarraras	.....	D25/136
D711,021	S	*	8/2014	Singh	.....	D25/119
D711,555	S	*	8/2014	Singh	.....	D25/119
D742,540	S	*	11/2015	Singh	.....	D25/119
D742,543	S	*	11/2015	Singh	.....	D25/119
D746,669	S	*	1/2016	McBride	.....	E04B 1/40 D25/121
D790,079	S	*	6/2017	Singh	.....	D25/119
D790,733	S	*	6/2017	Singh	.....	D25/119
D791,354	S	*	7/2017	Singh	.....	D25/119
D794,833	S	*	8/2017	Singh	.....	D25/119
D799,065	S	*	10/2017	Tremaine	.....	D25/119
D800,924	S	*	10/2017	Preston	.....	E04F 13/06 D25/121
D809,163	S	*	1/2018	Bilge	.....	D25/138
2015/0275500	A1	*	10/2015	Della	.....	E04D 12/004 52/506.01

\* cited by examiner

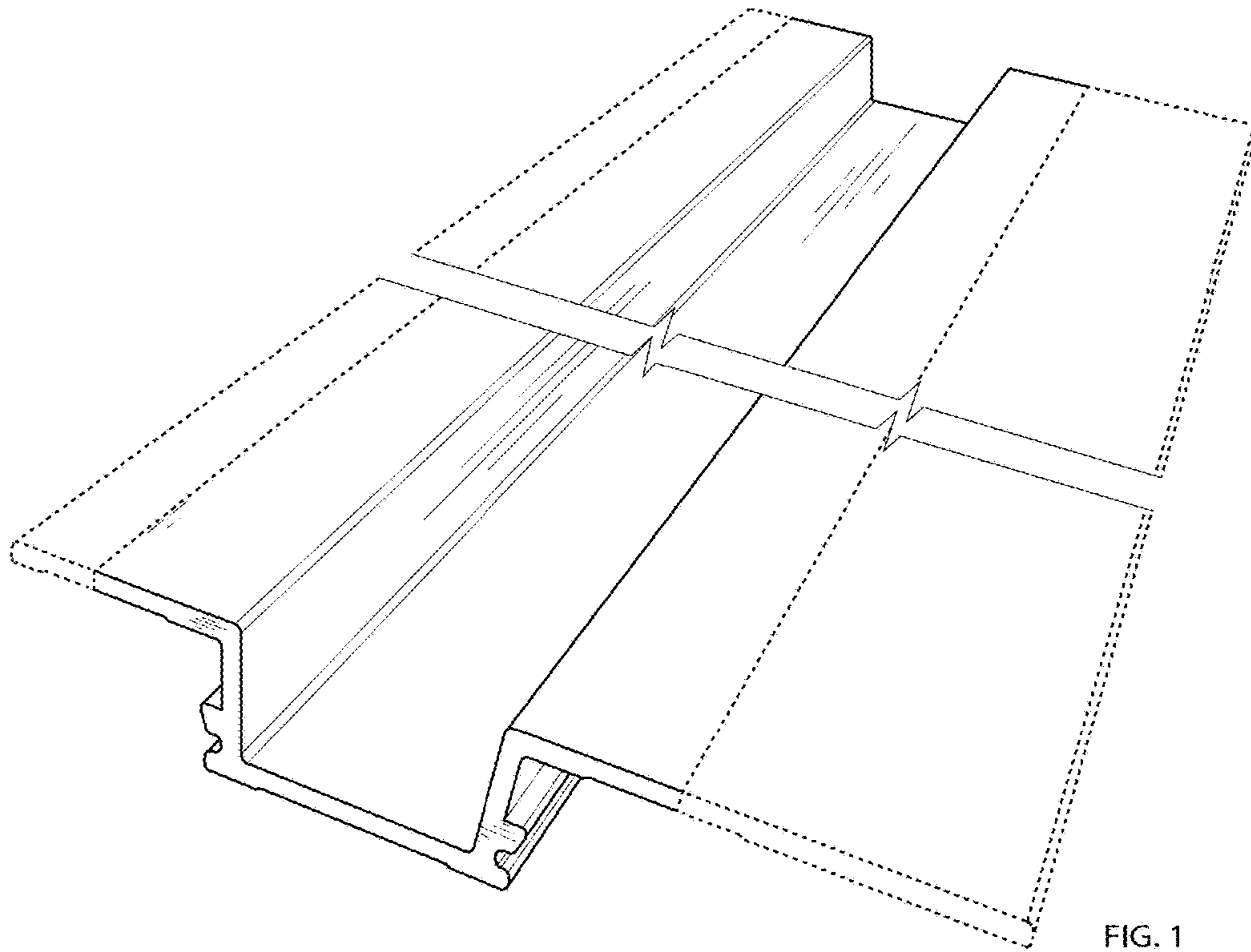


FIG. 1

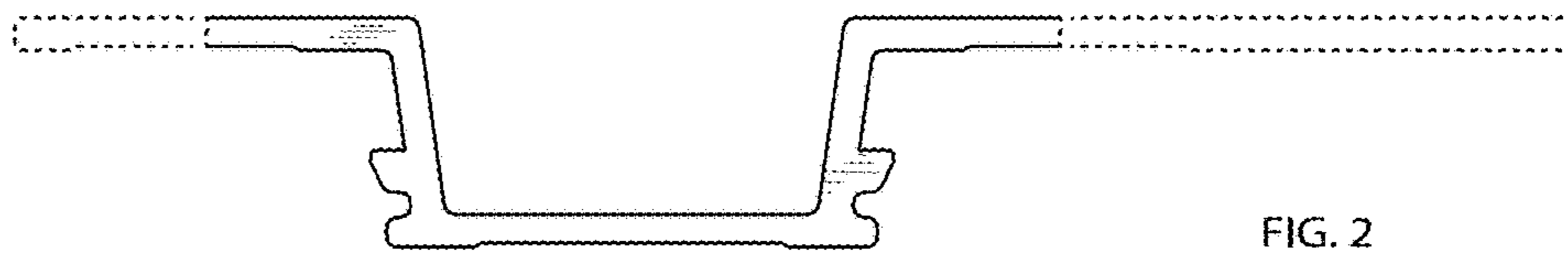


FIG. 2

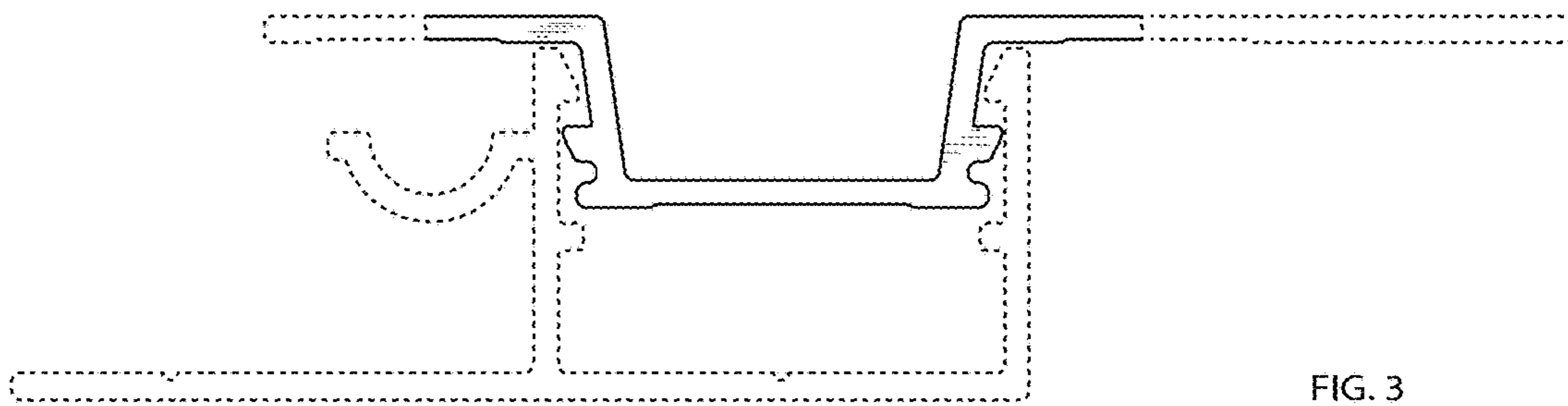


FIG. 3