



US00D821608S

(12) **United States Design Patent**
Ray, II

(10) **Patent No.:** **US D821,608 S**
(45) **Date of Patent:** **** Jun. 26, 2018**

- (54) **DOOR FRAME ASSEMBLY**
- (71) Applicant: **Rocky Mountain Elevator Products LLC**, Grand Junction, CO (US)
- (72) Inventor: **John W. Ray, II**, Grand Junction, CO (US)
- (**) Term: **15 Years**
- (21) Appl. No.: **29/550,722**
- (22) Filed: **Jan. 6, 2016**
- (51) **LOC (11) Cl.** **25-02**
- (52) **U.S. Cl.**
USPC **D25/48.3**
- (58) **Field of Classification Search**
USPC D25/48.1, 48.3, 55, 58, 60, 61; 52/217, 52/455, 474, 504; 160/189
CPC E06B 1/20; E06B 9/24; E06B 9/52; E06B 9/54; E06B 9/58; E06B 9/78
See application file for complete search history.

2008/0148642 A1* 6/2008 Mathieu E05C 9/02
49/395
2011/0179730 A1* 7/2011 Kolovich E06B 1/12
52/204.2
2012/0124773 A1* 5/2012 Saccon E05D 15/30
16/249

(Continued)

FOREIGN PATENT DOCUMENTS

JP D1473888 * 7/2013

OTHER PUBLICATIONS

http://www.rockymountainelevatorproducts.com/wp-content/uploads/DoorFrame_InstallGuide.pdf Last updated Nov. 22, 2016.*
<https://vimeo.com/201956754> Posted Jan. 31, 2017.*

Primary Examiner — Susan Bennett Hattan
Assistant Examiner — Leanne Was-Englehart
(74) *Attorney, Agent, or Firm* — Reilly Intellectual Property Law Firm

(57) **CLAIM**

The ornamental design for a door frame assembly, as shown and described.

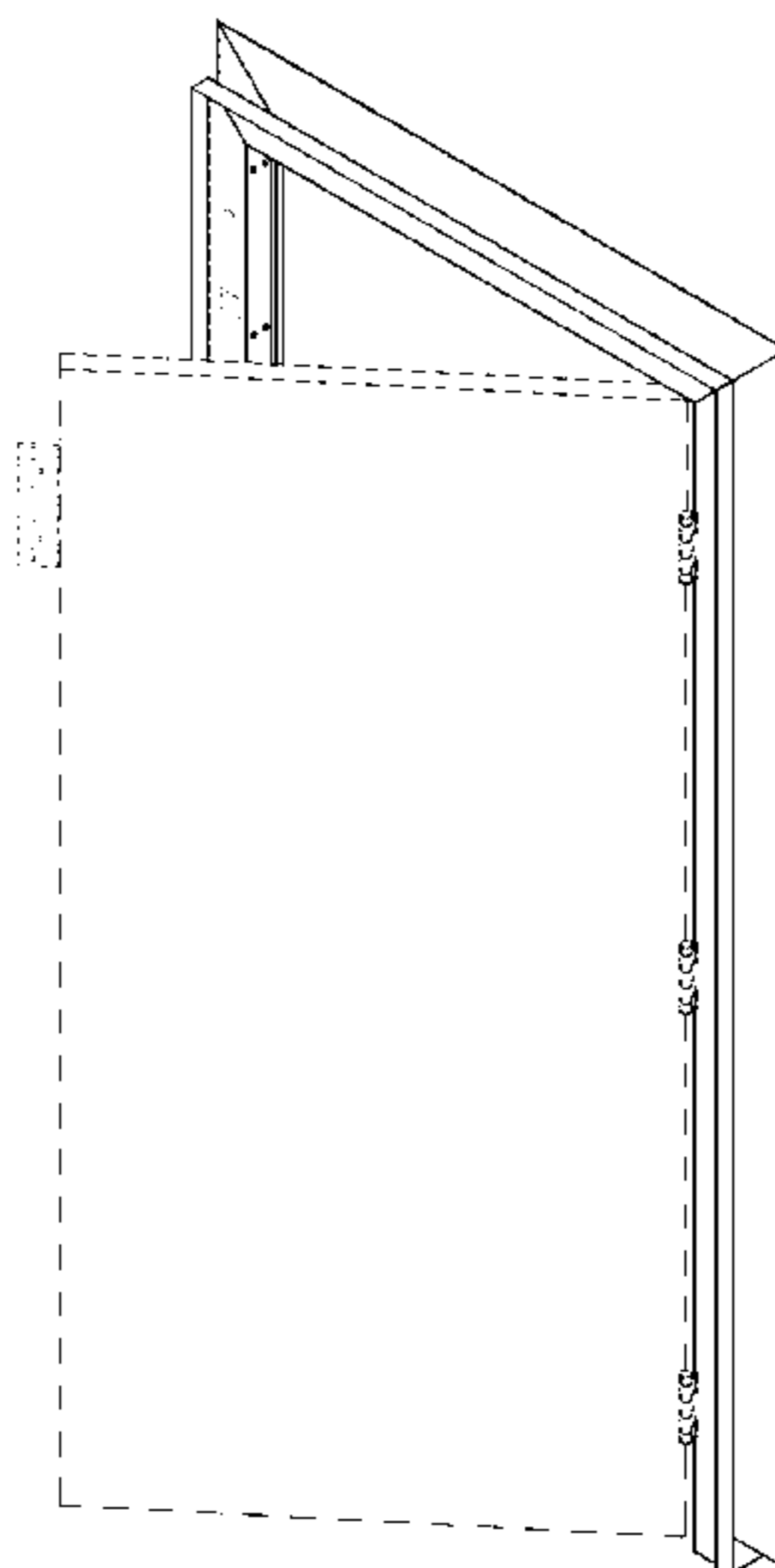
DESCRIPTION

FIG. 1 is a perspective view showing my new design;
FIG. 2 is a top view of FIG. 1;
FIG. 3 is a right side view of FIG. 1;
FIG. 4 is a detail view of FIG. 2;
FIG. 5 is a front view of FIG. 1;
FIG. 6 is a detail view of FIG. 5;
FIG. 7 is a bottom view of FIG. 1;
FIG. 8 is a rear view of FIG. 1;
FIG. 9 is a detail view of FIG. 8;
FIG. 10 is a left side perspective view with elements not shown in FIG. 1; and,
FIG. 11 is a detail view of FIG. 10.
The broken depict portions of the door frame assembly that form no part of the claimed design.

1 Claim, 5 Drawing Sheets

(56) **References Cited**
U.S. PATENT DOCUMENTS

| | | | | |
|-------------------|---------|--------------|-------|---------------------------|
| D188,180 S * | 6/1960 | Grayboff | | D25/58 |
| 3,520,085 A * | 7/1970 | Pond | | E06B 1/20 49/505 |
| 4,395,855 A * | 8/1983 | Juker | | E06B 1/10 49/505 |
| 4,735,025 A * | 4/1988 | Day | | E06B 1/20 52/217 |
| 5,161,329 A * | 11/1992 | Brown | | F25D 23/02 49/380 |
| 5,974,745 A * | 11/1999 | Barr | | E06B 1/10 49/504 |
| D437,943 S * | 2/2001 | Velidedeoglu | | D25/48.3 |
| 6,976,339 B1 * | 12/2005 | Riccio | | E04F 21/0015 248/354.1 |
| D602,169 S * | 10/2009 | Cooper | | D25/48.3 |
| 2006/0272220 A1 * | 12/2006 | Smith | | E06B 1/18 49/504 |



(56)

References Cited

U.S. PATENT DOCUMENTS

2015/0361718 A1* 12/2015 Hummel E06B 9/54
160/189

* cited by examiner

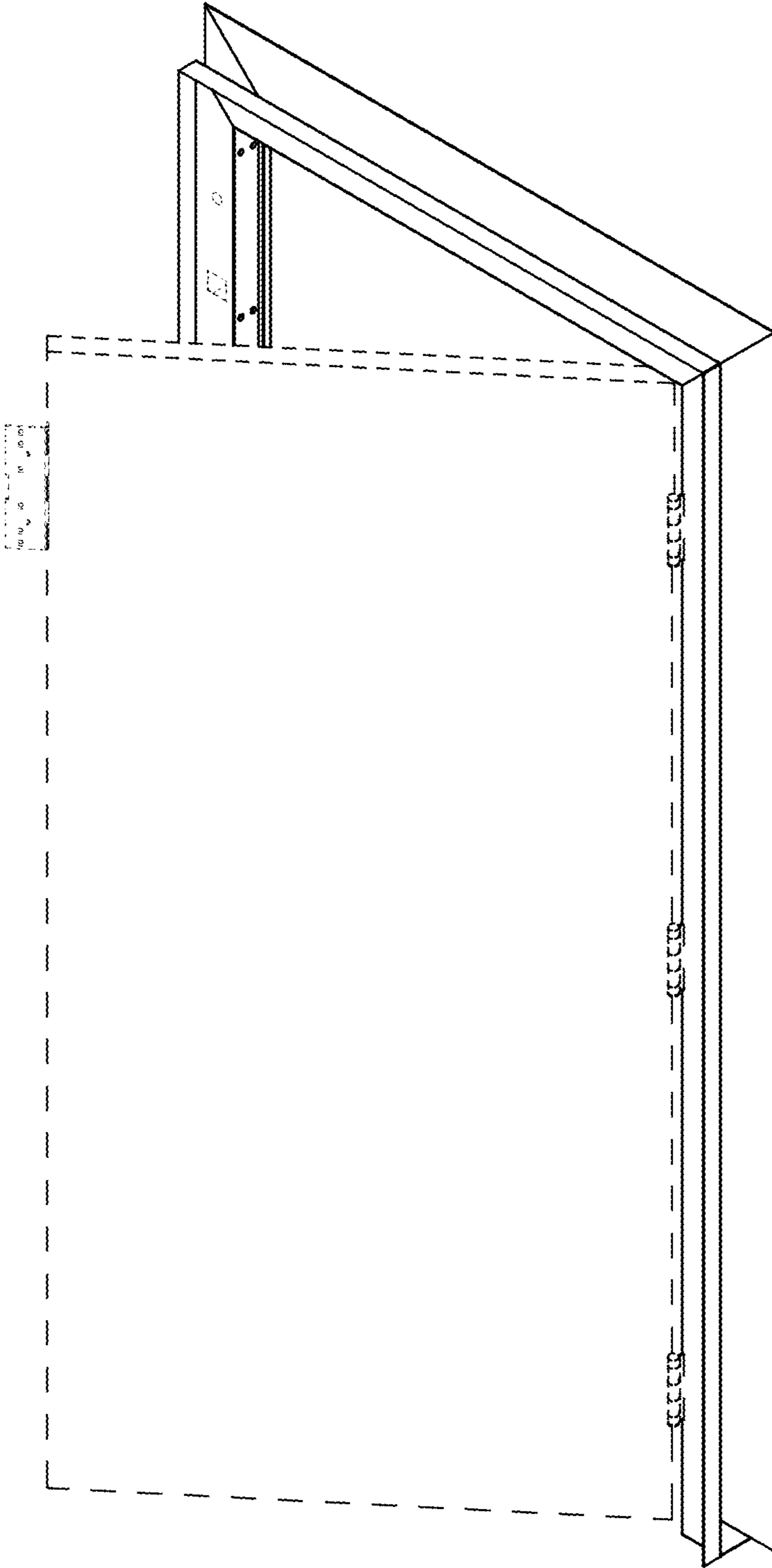


Fig. 1

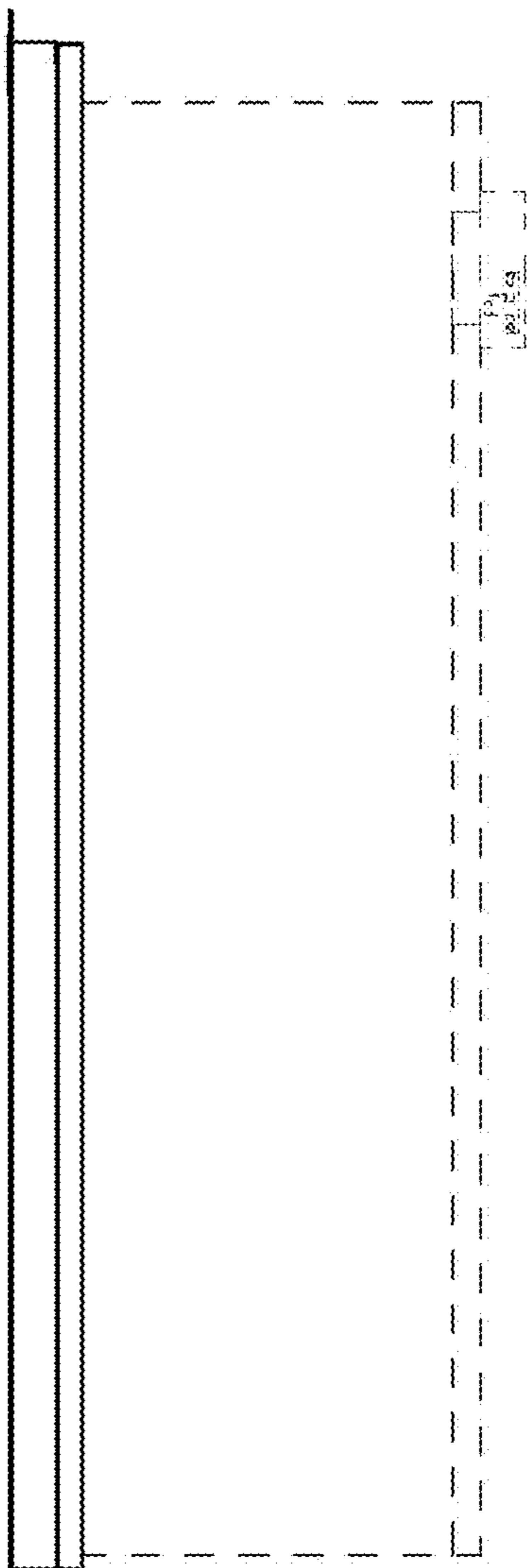


Fig. 3



Fig. 2



Fig. 4

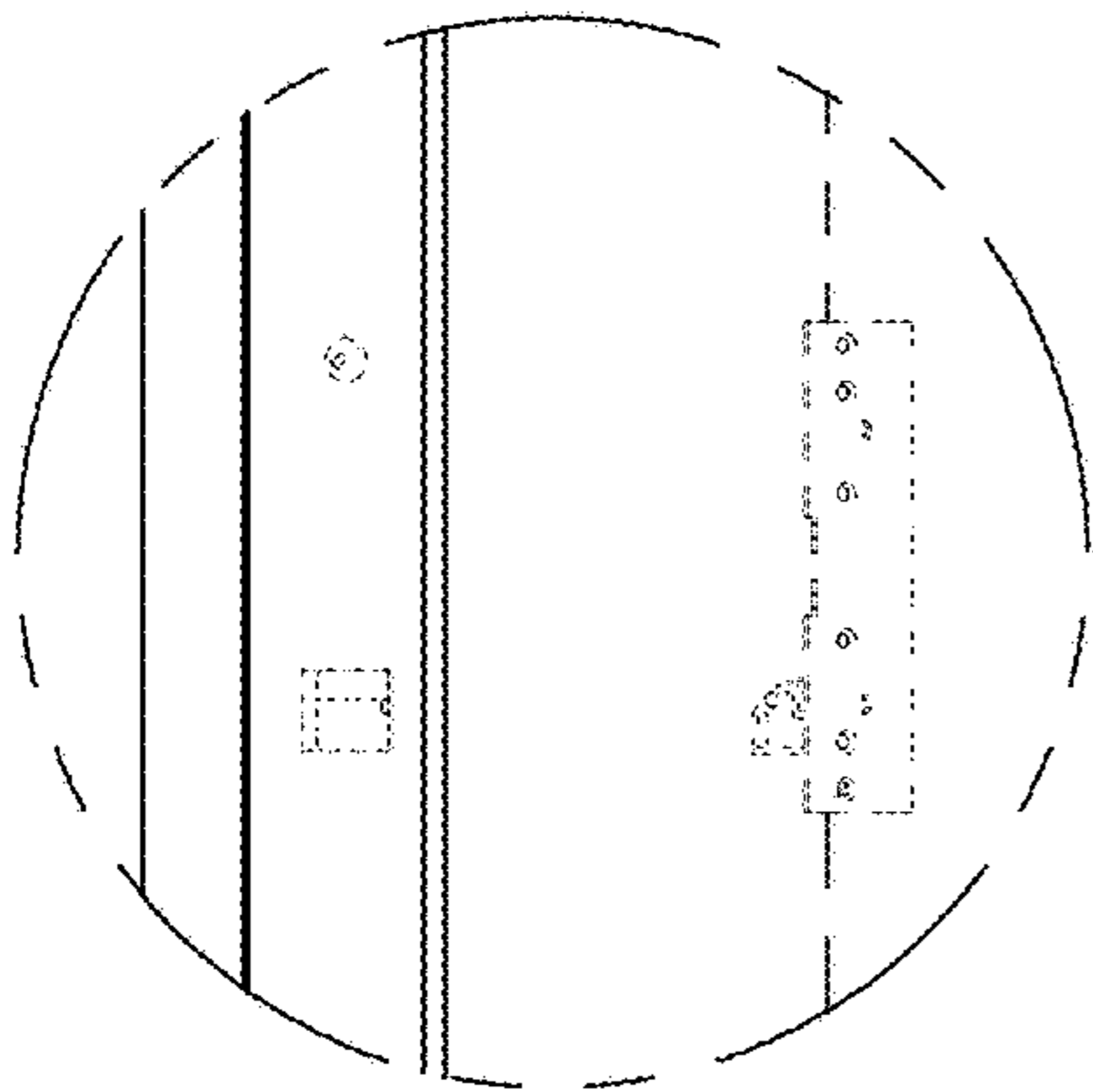


Fig. 6

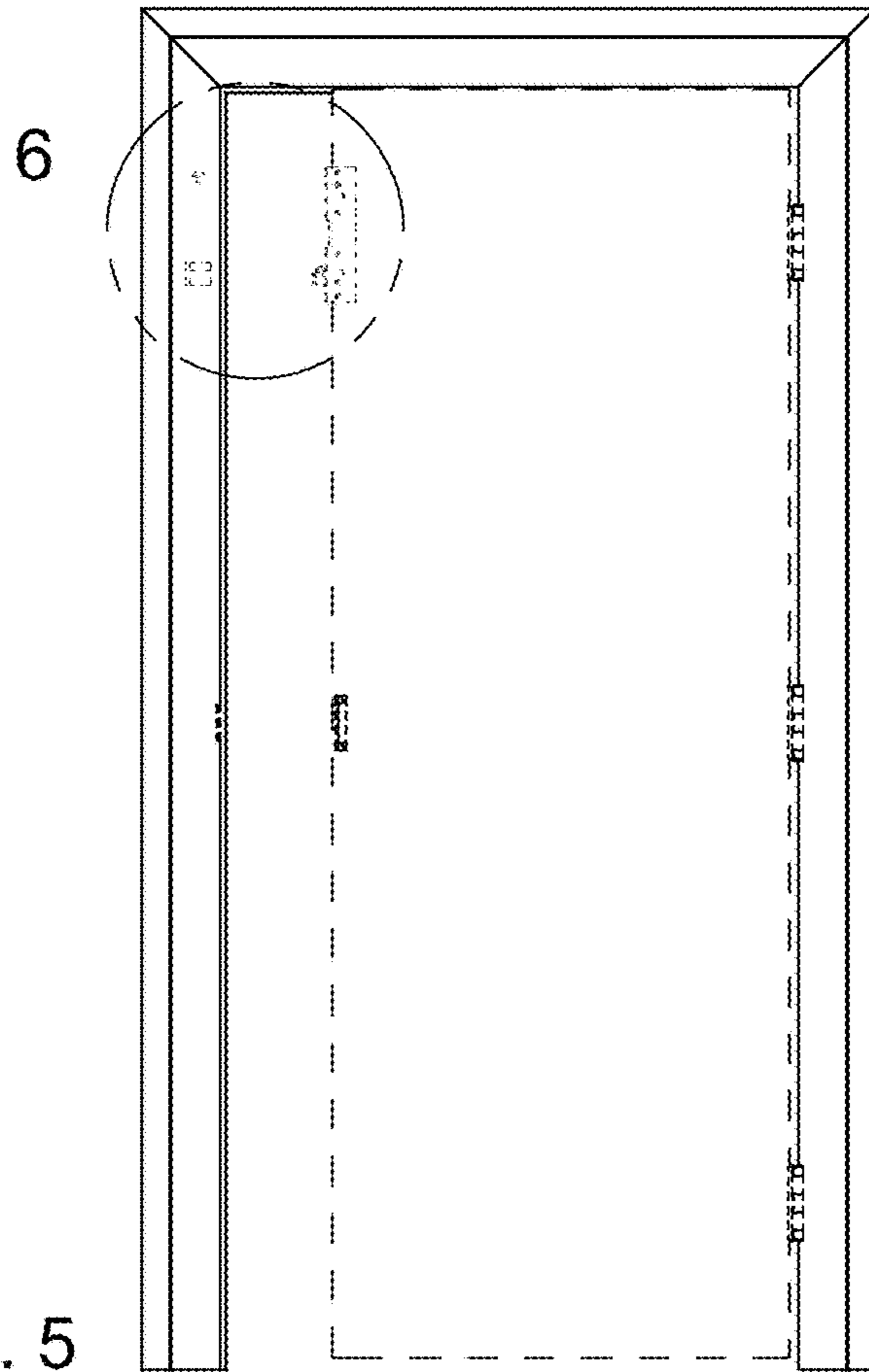


Fig. 5

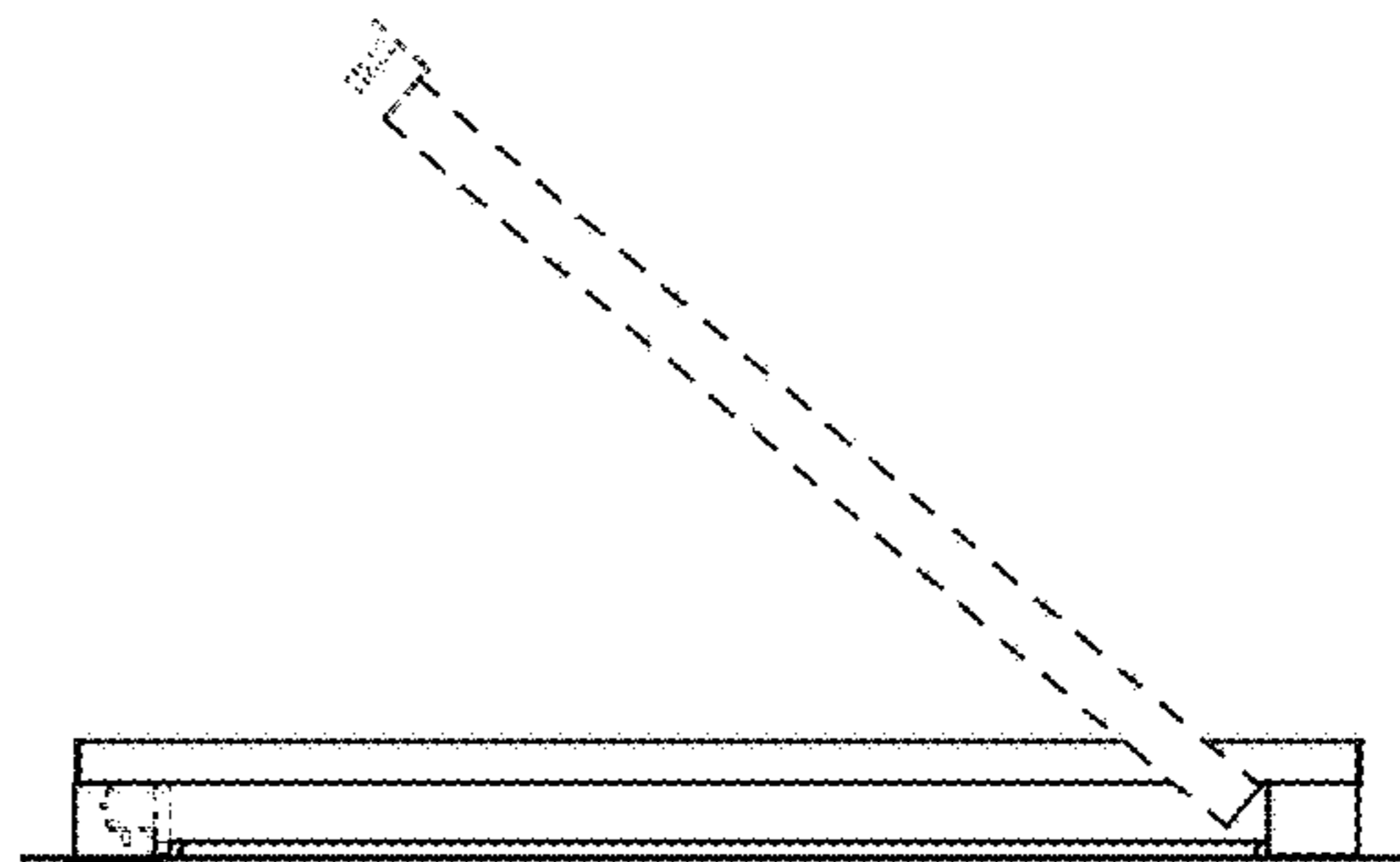


Fig. 7

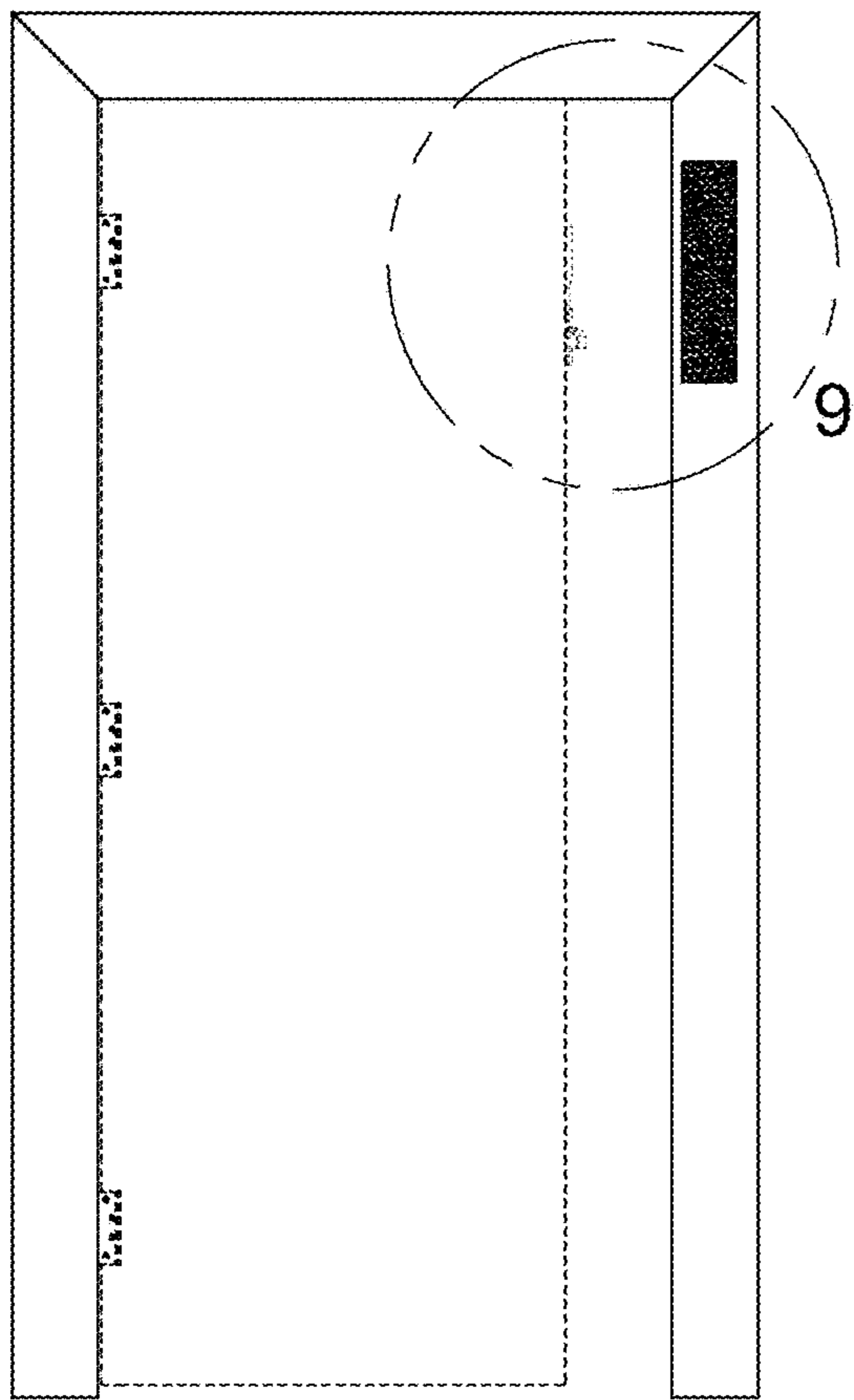


Fig. 8

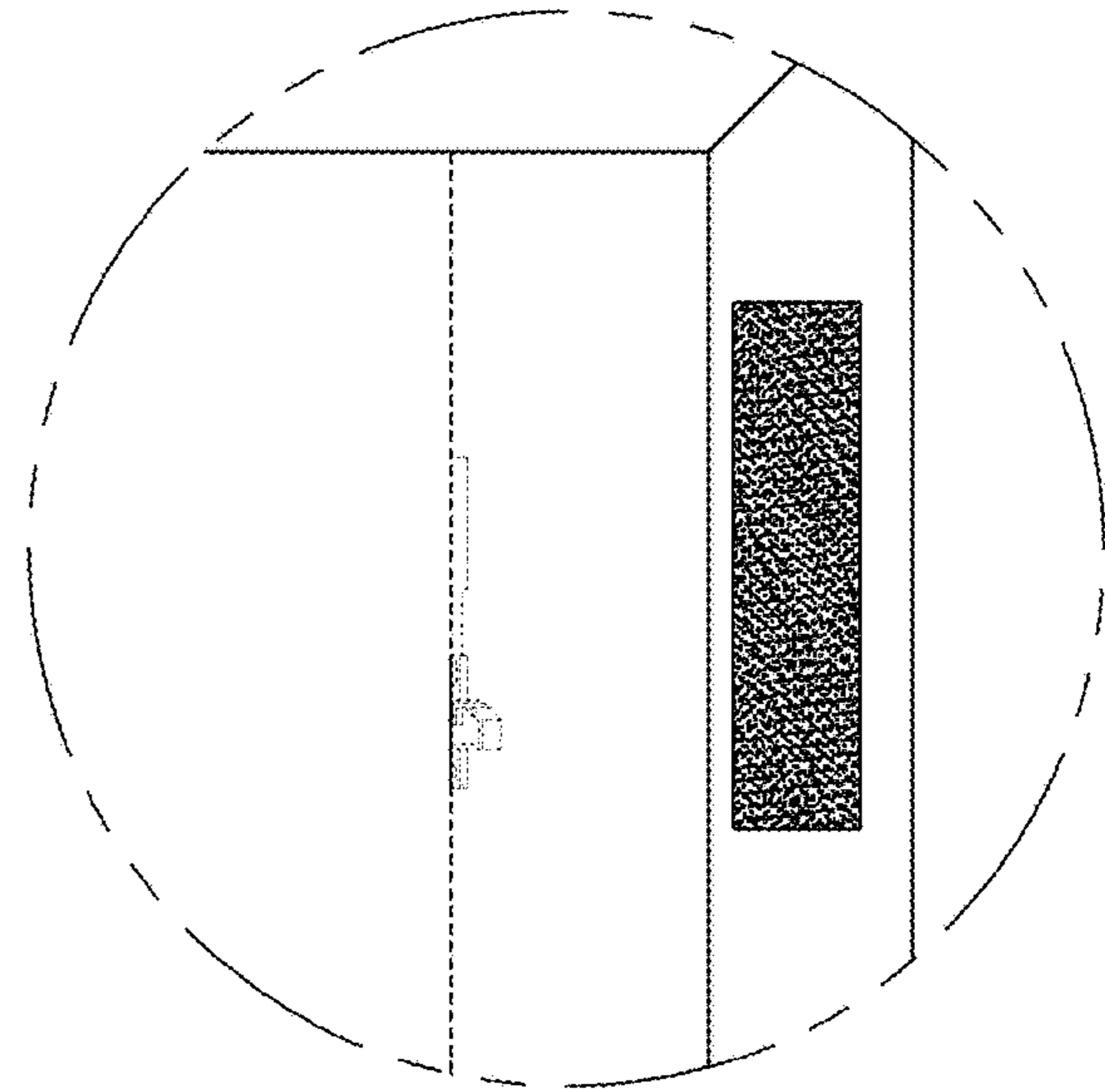


Fig. 9

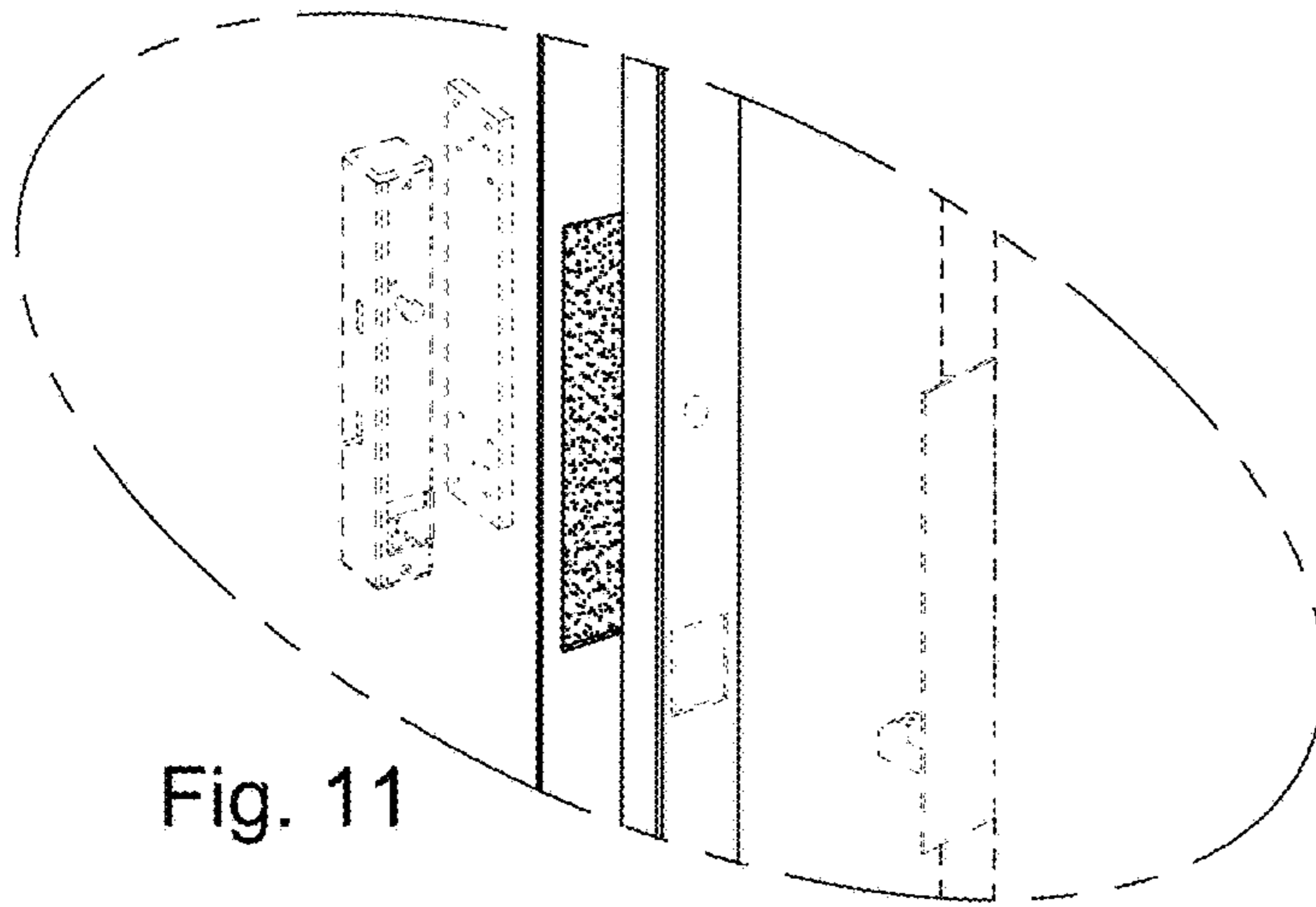


Fig. 11

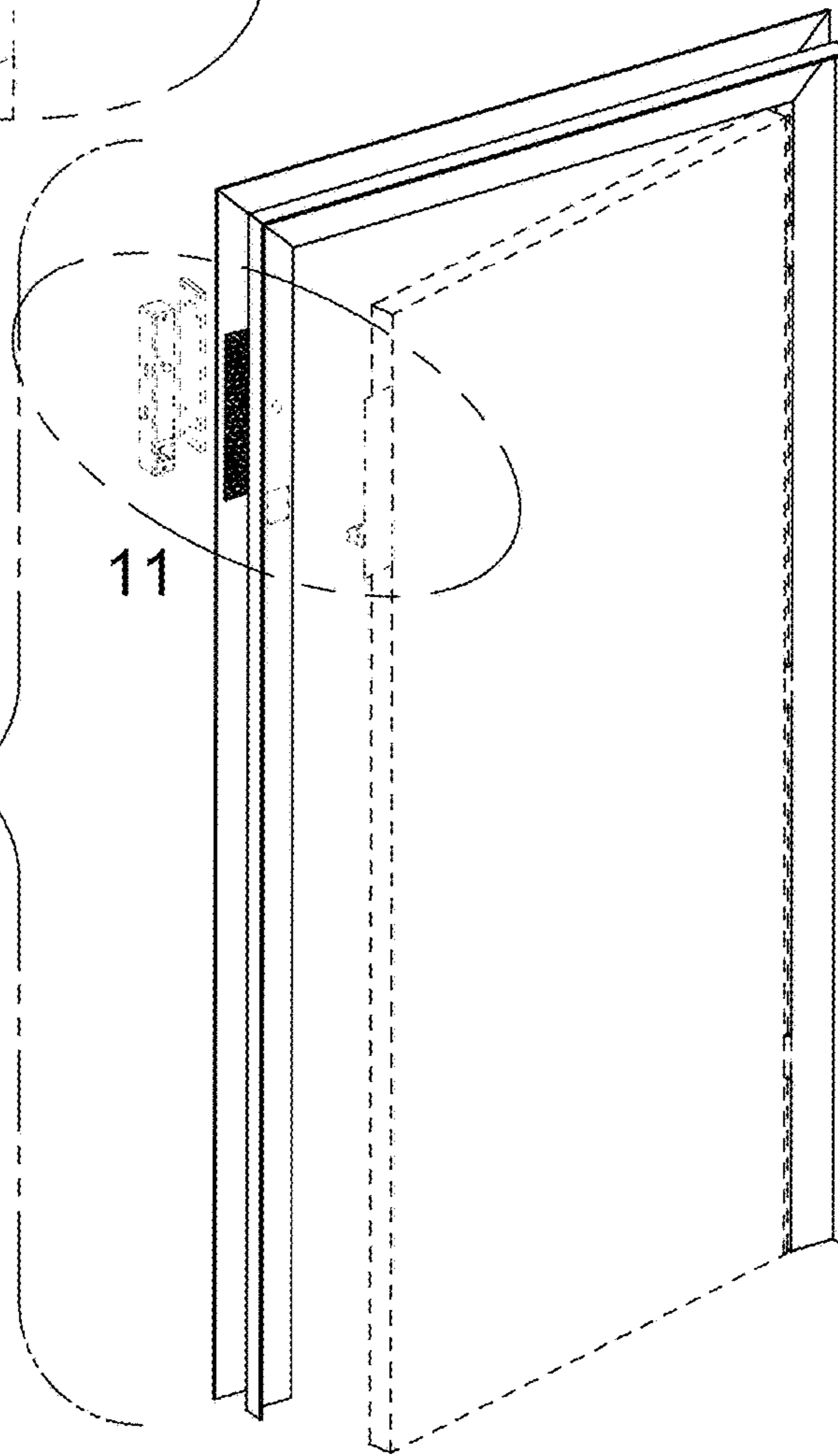


Fig. 10

11