



US00D821605S

(12) **United States Design Patent**
Tremblay et al.

(10) **Patent No.:** **US D821,605 S**
(45) **Date of Patent:** **** Jun. 26, 2018**

- (54) **SCANNING DEVICE ADAPTER**
- (71) Applicant: **Charles River Laboratories, Inc.**,
Wilmington, MA (US)
- (72) Inventors: **Jason Tremblay**, Mount Pleasant, SC
(US); **Dana M. Nutter**, Charleston, SC
(US); **Elizabeth Mills**, Charleston, SC
(US); **Luca Nicoli**, Mount Pleasant, SC
(US); **Eric Stimpson**, Mountain View,
CA (US); **Thomas Preidel**, Uslar (DE);
Michael Braun, Bovenden (DE)
- (73) Assignee: **Charles River Laboratories, Inc.**,
Wilmington, MA (US)

D717,463 S *	11/2014	Wainwright	D24/216
D717,464 S *	11/2014	Wainwright	D24/162
D743,034 S *	11/2015	Ebi	D24/162
D776,295 S *	1/2017	Wainwright	D24/224
D776,296 S *	1/2017	Wainwright	D24/224
9,624,463 B2 *	4/2017	Wainwright	C12M 47/04
2007/0196237 A1 *	8/2007	Neuzil	B01L 3/50851 422/67
2012/0061308 A1 *	3/2012	Gilet	B01L 3/508 210/232
2014/0352455 A1 *	12/2014	Pavels Peterson	A61B 10/0038 73/863
2016/0010052 A1 *	1/2016	Wainwright	C12M 47/04 435/252.1

(**) Term: **15 Years**

(21) Appl. No.: **29/604,039**

(22) Filed: **May 15, 2017**

(51) **LOC (11) Cl.** **24-01**

(52) **U.S. Cl.**
USPC **D24/224**

(58) **Field of Classification Search**
USPC D24/121, 162, 186, 216, 219–221,
D24/224–233; D10/81
CPC G01N 2001/4088; B01D 2201/301; B01D
2325/02; B01D 29/58; B01L 2300/0681;
B01L 2400/0683
See application file for complete search history.

(56) **References Cited**

U.S. PATENT DOCUMENTS

D506,261 S *	6/2005	Hellstrom	D24/224
8,697,436 B2 *	4/2014	Pflanz	B01L 3/5635 435/243

* cited by examiner

Primary Examiner — Anhdao Doan

(74) *Attorney, Agent, or Firm* — Goodwin Procter LLP

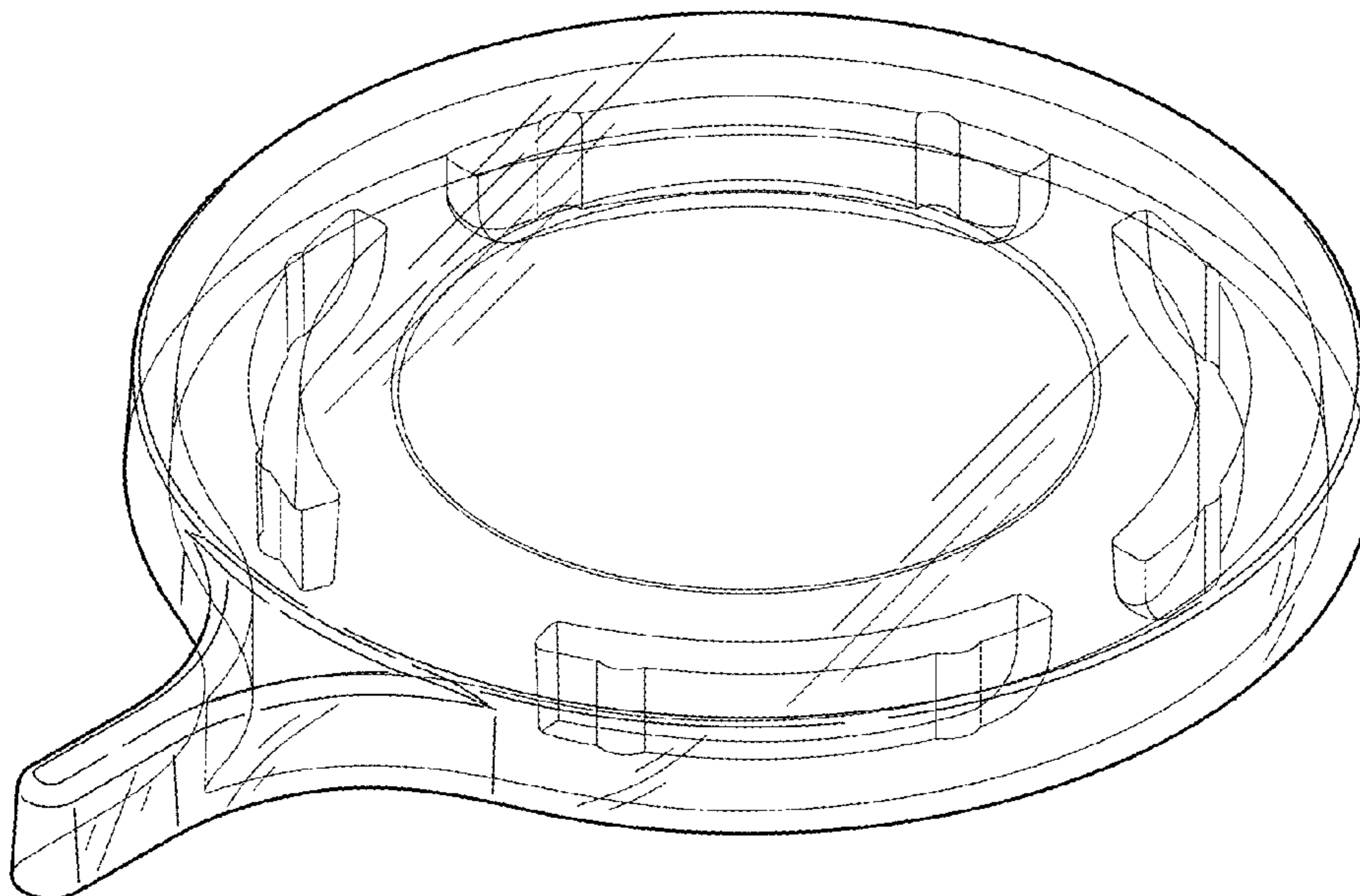
(57) **CLAIM**

The ornamental design for a scanning device adapter, as shown and described.

DESCRIPTION

FIG. 1 is a top perspective view of a scanning device adapter;
FIG. 2 is a front view of the scanning device adapter;
FIG. 3 is a rear view of the scanning device adapter;
FIG. 4 is a right side view of the scanning device adapter;
FIG. 5 is a left side view of the scanning device adapter;
FIG. 6 is a top view of the scanning device adapter; and,
FIG. 7 is a bottom view of the scanning device adapter.

1 Claim, 4 Drawing Sheets



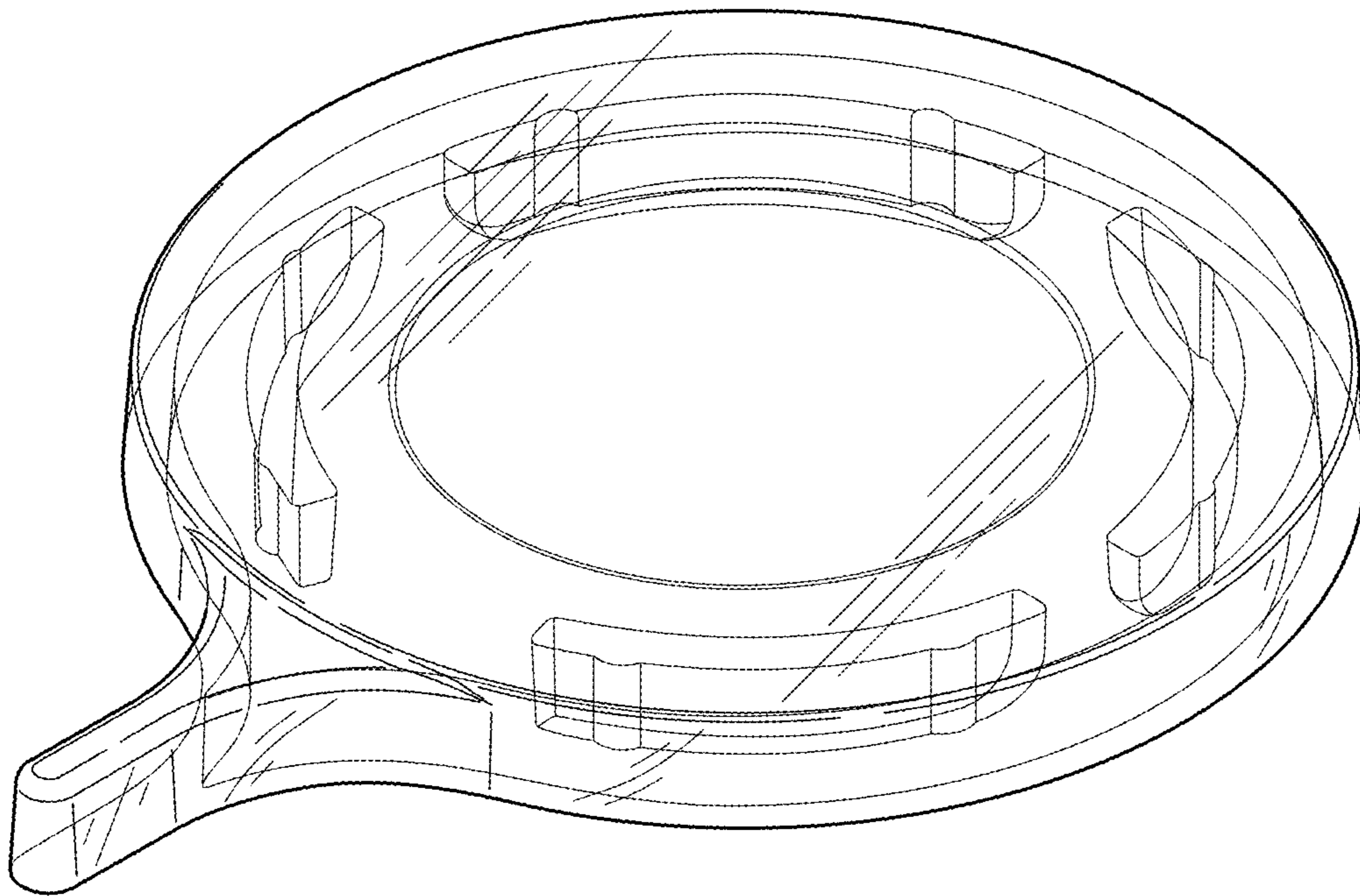


FIG. 1

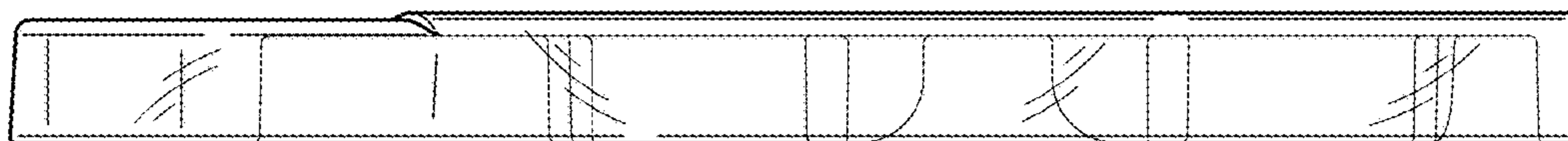


FIG. 2

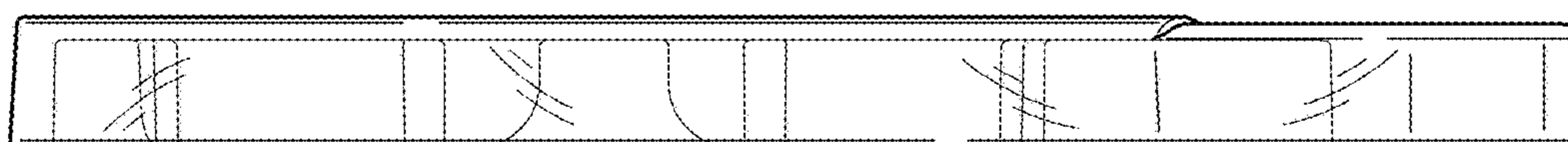


FIG. 3

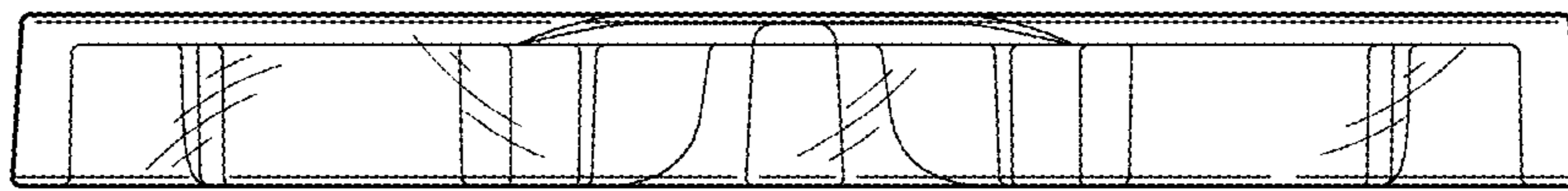


FIG. 4

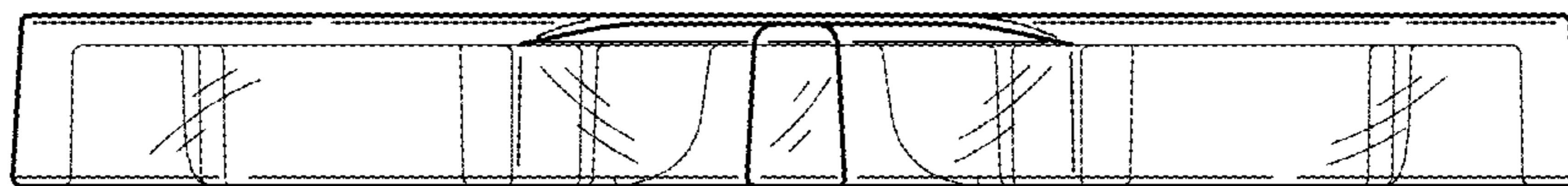


FIG. 5

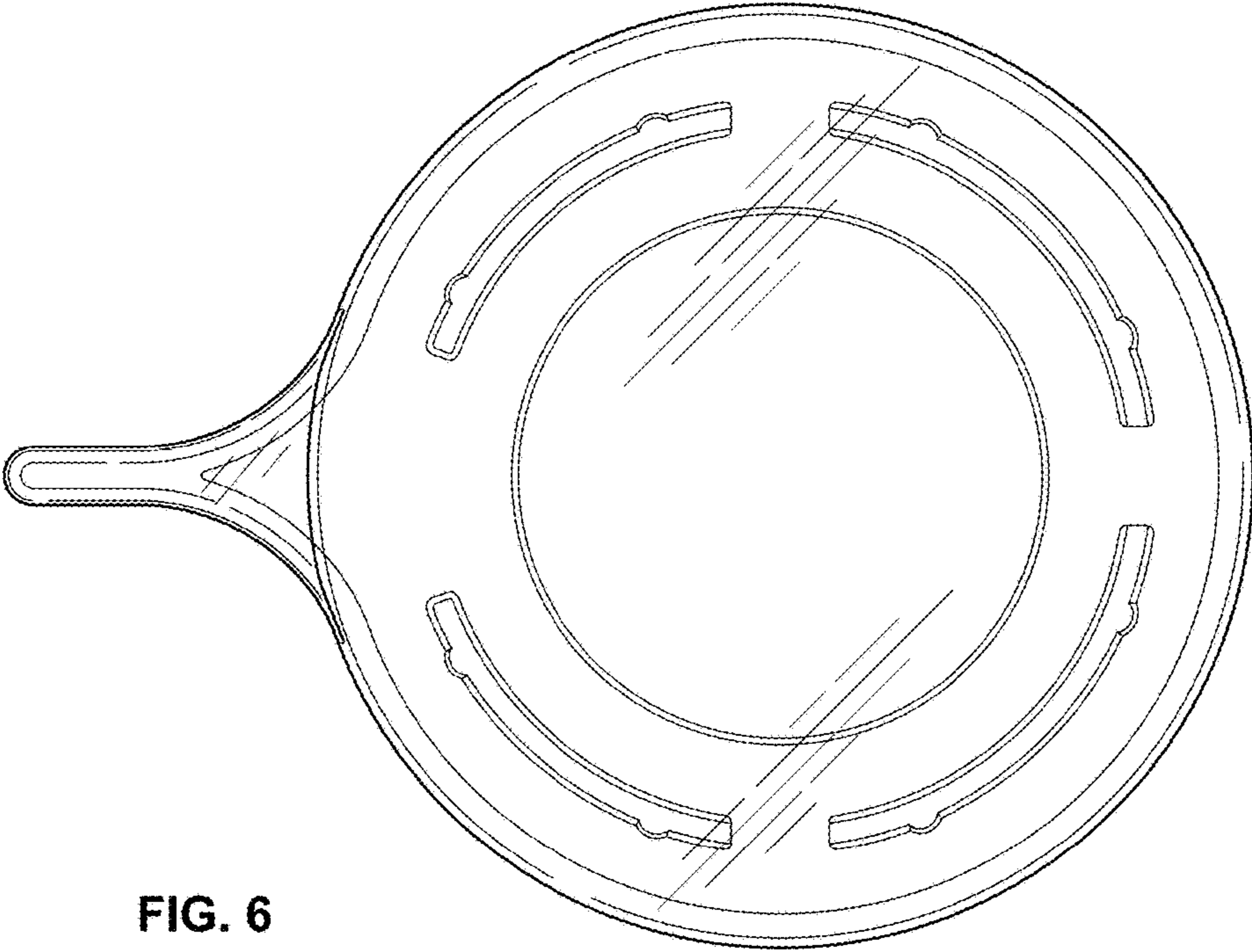


FIG. 6

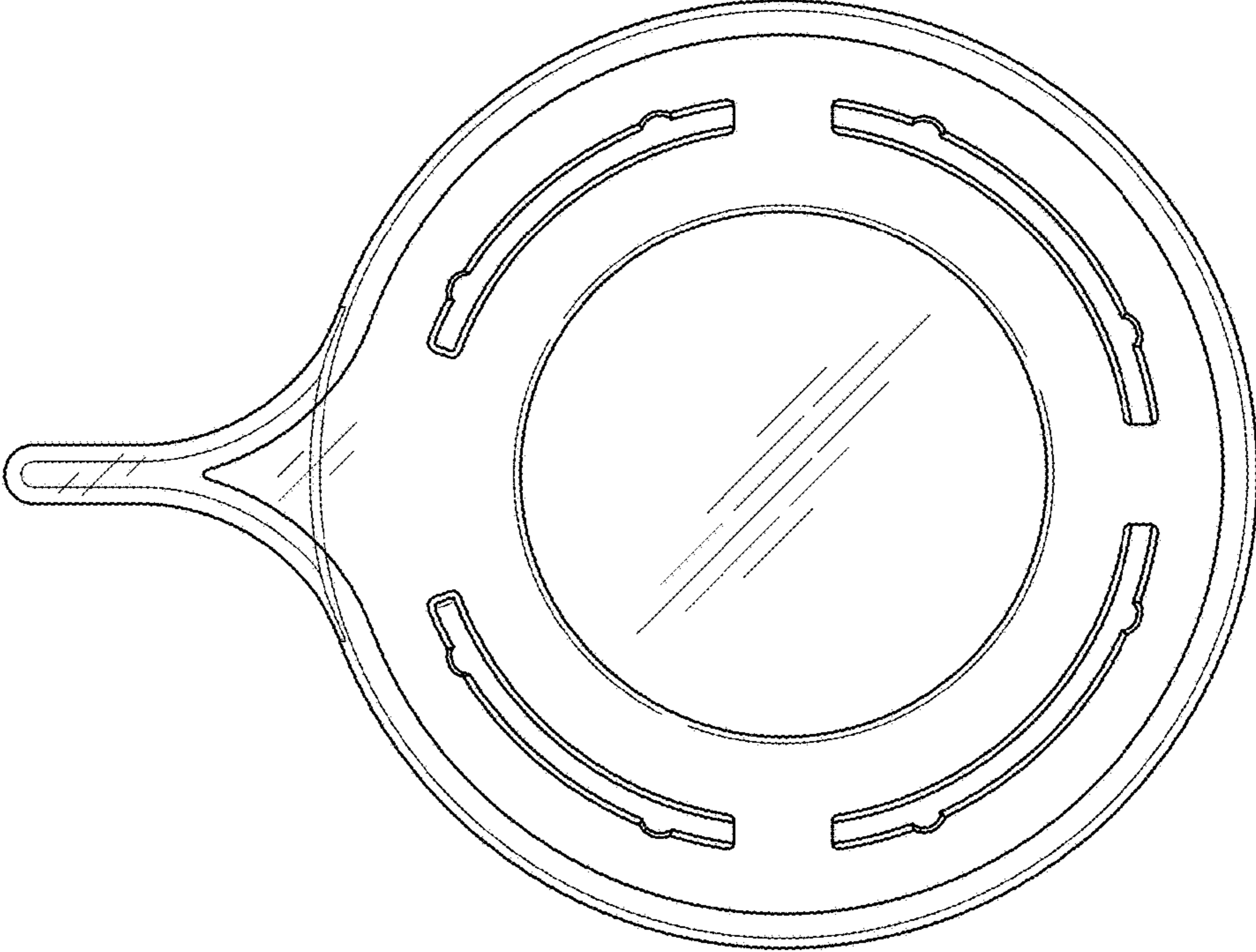


FIG. 7