



US00D821603S

(12) **United States Design Patent**
Tanner

(10) **Patent No.:** **US D821,603 S**
(45) **Date of Patent:** **** Jun. 26, 2018**

- (54) **CULTURE BOTTLE**
- (71) Applicant: **TPP Techno Plastic Products AG**,
Trasadingen (CH)
- (72) Inventor: **Rolf Tanner**, Loehningen (CH)
- (73) Assignee: **TPP TECHNO PLASTIC**
PRODUCTS AG, Trasadingen (CH)
- (**) Term: **15 Years**
- (21) Appl. No.: **29/528,966**
- (22) Filed: **Jun. 2, 2015**
- (51) **LOC (11) Cl.** **24-02**
- (52) **U.S. Cl.**
USPC **D24/224**
- (58) **Field of Classification Search**
USPC D24/216, 224; D9/438, 523, 526, 564,
D9/566; 422/503, 527, 535, 547, 556,
422/561, 566, 568, 550-551; 435/288.1,
435/288.3, 289.1, 294.1, 297.5, 299.2,
435/304.1-304.3, 395; 206/503-511;
215/10, 40, 204, 224, 230, 305-306, 317,
215/365, 380, 386; 220/23.2, 23.6, 371,
220/373, 4.26-4.27, 670, 731
CPC B01L 3/0275; B01L 3/502; B01L 3/50255;
B01L 3/567; B01L 3/5085; B01L
3/50825; B01L 3/502738; B04B 5/0414;
B65D 1/20; B65D 21/02; B65D 21/0202;
B65D 23/10; B65D 51/1616; B65D
51/243; B65D 71/70; C12M 23/04; C12M
23/08; C12M 23/10; C12M 23/12; C12M
23/20; C12M 23/22; C12M 23/24; C12M
23/32; C12M 23/34; C12M 23/38; C12M
23/40; C12M 23/44; C12M 25/06; C12M
29/04

See application file for complete search history.

- (56) **References Cited**
U.S. PATENT DOCUMENTS
3,870,602 A * 3/1975 Froman C12M 23/22
215/380
D264,127 S * 4/1982 Peterson D24/224
4,334,028 A * 6/1982 Carver C12M 23/08
422/547

(Continued)

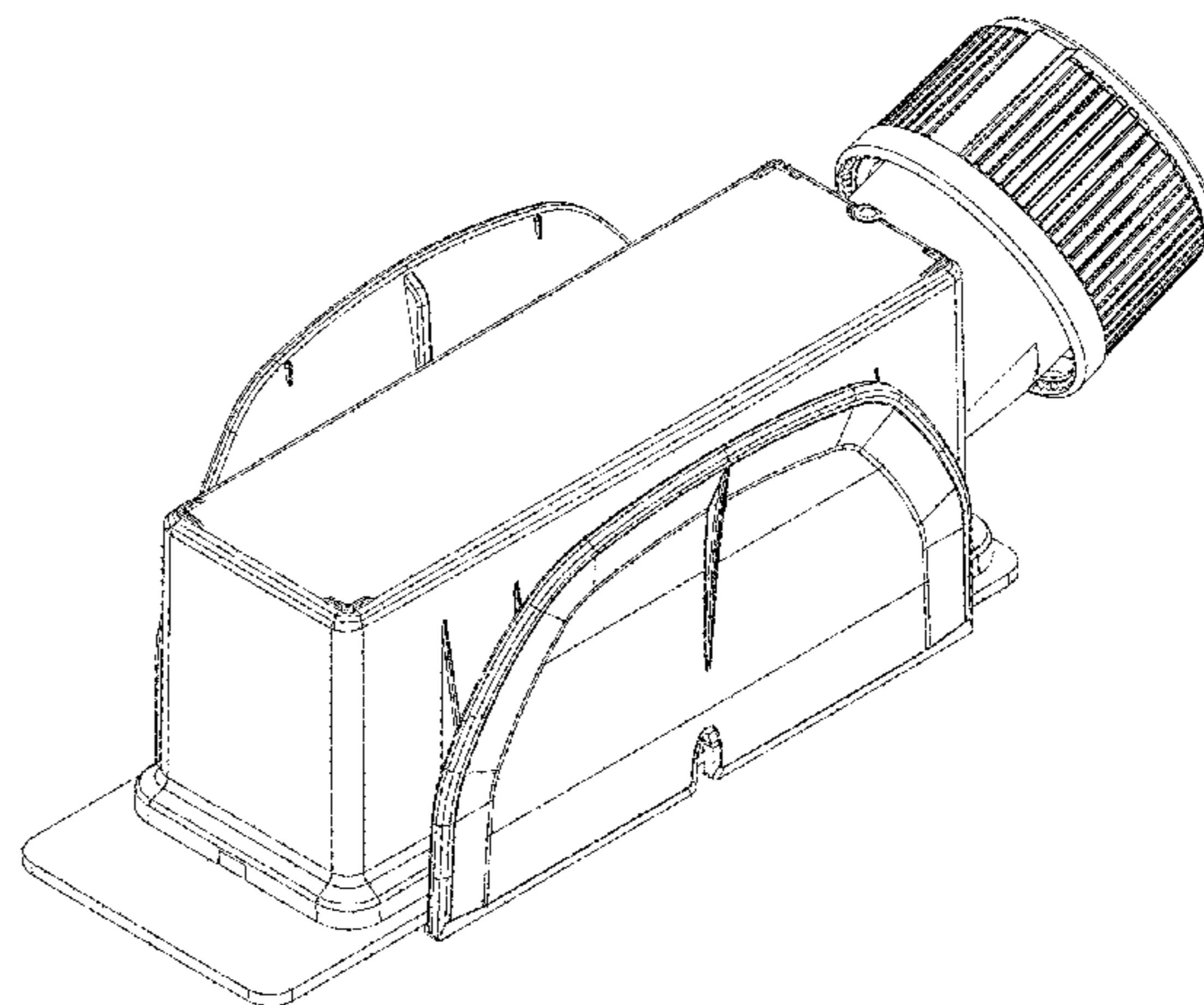
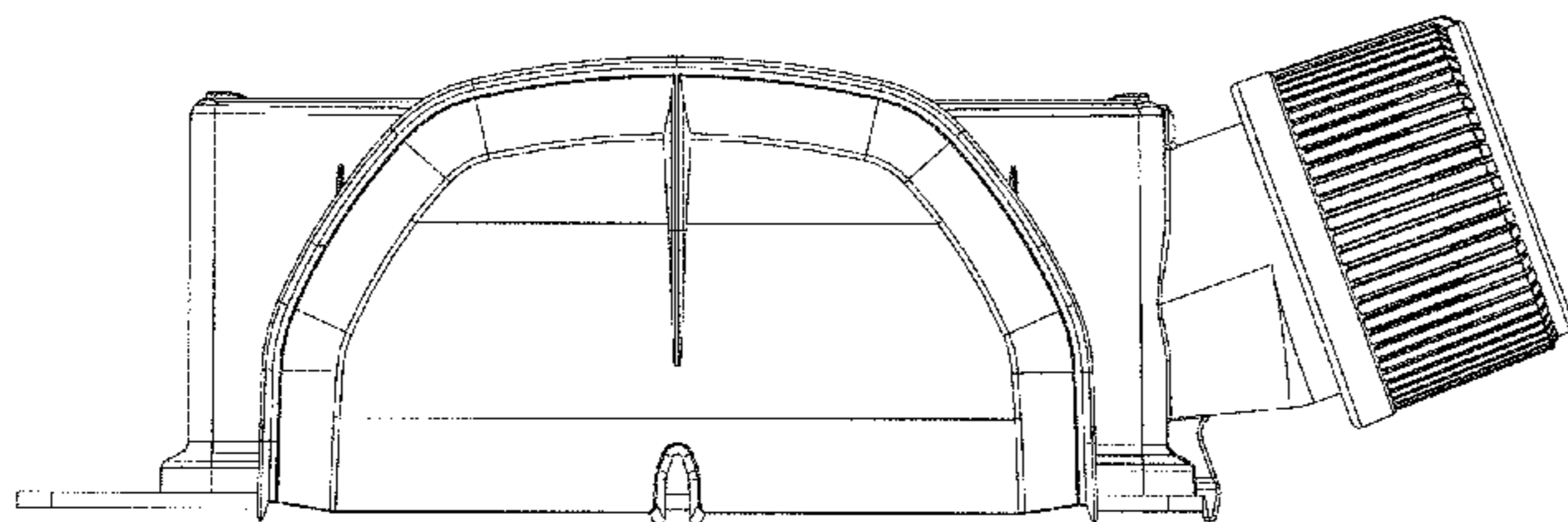
Primary Examiner — Ian Simmons
Assistant Examiner — Mark Cavanna
(74) *Attorney, Agent, or Firm* — Birch, Stewart, Kolasch
& Birch, LLP

(57) **CLAIM**
The ornamental design for a culture bottle, as shown and
described.

DESCRIPTION

FIG. 1 is a side view of a culture bottle showing my new
design;
FIG. 2 is an upper front perspective view thereof;
FIG. 3 is an upper rear perspective view thereof;
FIG. 4 is a lower rear perspective view thereof;
FIG. 5 is a lower front perspective view thereof;
FIG. 6 is a front view thereof;
FIG. 7 is a rear view thereof;
FIG. 8 is a bottom view thereof;
FIG. 9 is a lower rear perspective view thereof, similar to
FIG. 4, with the bottom panel removed;
FIG. 10 is a lower front perspective view thereof, similar to
FIG. 5, with the bottom panel removed;
FIG. 11 is a side view of the culture bottle shown in a
condition of use with a second culture bottle shown as
environment; and,
FIG. 12 is a front view thereof.
The broken lines seen in FIGS. 11 and 12 showing an
environment of a second culture bottle form no part of the
claimed design. The broken lines located on the claimed
design itself are included for the purpose of illustrating
unclaimed portions and form no part of the claimed design.

1 Claim, 12 Drawing Sheets



(56)

References Cited

U.S. PATENT DOCUMENTS

| | | | | | | | | | | | |
|---------------|---------|-----------|-------|--------------|-----------|-------------------|---------|-----------------|-------|-------------|-----------|
| 4,770,854 A * | 9/1988 | Lyman | | C12M 23/44 | 422/568 | 5,783,440 A * | 7/1998 | Stevens | | C12M 23/32 | 215/386 |
| 4,851,351 A * | 7/1989 | Akamine | | C12M 23/08 | 215/10 | 6,569,675 B2 * | 5/2003 | Wall | | C12M 23/08 | 435/294.1 |
| 5,310,676 A * | 5/1994 | Johansson | | C12M 23/40 | 435/304.1 | 6,818,438 B2 * | 11/2004 | Muser | | C12M 23/08 | 435/304.3 |
| D362,184 S * | 9/1995 | Carr | | D24/224 | | D642,062 S * | 7/2011 | Adams | | D9/526 | |
| 5,462,874 A * | 10/1995 | Wolf | | C12M 23/12 | 422/535 | D679,829 S * | 4/2013 | Clark | | D24/224 | |
| 5,565,353 A * | 10/1996 | Klebe | | B01L 3/502 | 435/289.1 | D779,331 S * | 2/2017 | Robson | | D18/56 | |
| D378,781 S * | 4/1997 | Stevens | | D24/225 | | 2004/0029266 A1 * | 2/2004 | Barbera-Guillem | ... | C12M 23/04 | 435/297.5 |
| D379,520 S * | 5/1997 | Stevens | | D24/224 | | 2004/0209755 A1 * | 10/2004 | Moore | | B04B 5/0414 | 422/547 |
| D382,063 S * | 8/1997 | Stevens | | D24/224 | | 2005/0074873 A1 * | 4/2005 | Shanler | | C12M 23/24 | 435/288.1 |
| 5,672,505 A * | 9/1997 | Jones | | C12M 23/38 | 422/561 | 2005/0239195 A1 * | 10/2005 | Oram | | B01L 3/502 | 435/288.3 |
| 5,695,987 A * | 12/1997 | Kayal | | B65D 51/1616 | 215/317 | 2016/0304823 A1 * | 10/2016 | Hirano | | C12M 23/12 | |
| | | | | | | 2017/0198247 A1 * | 7/2017 | Seiler | | B01L 3/567 | |
| | | | | | | 2017/0226456 A1 * | 8/2017 | Kuroda | | C12M 23/20 | |

* cited by examiner

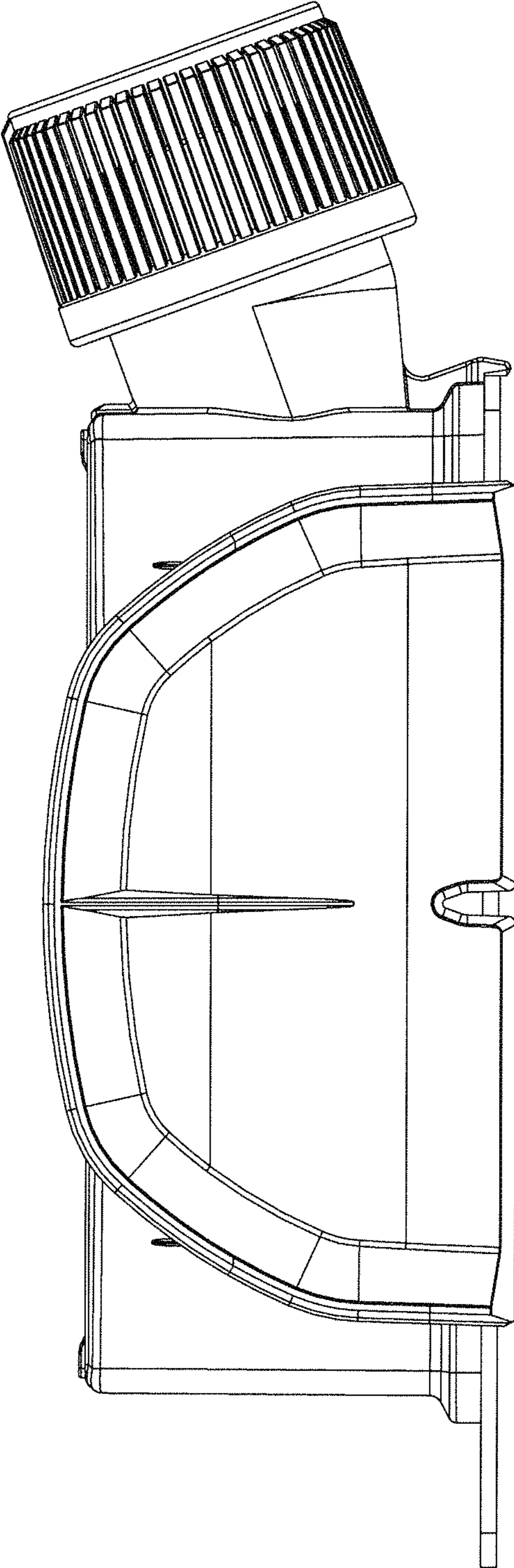


FIG. 1

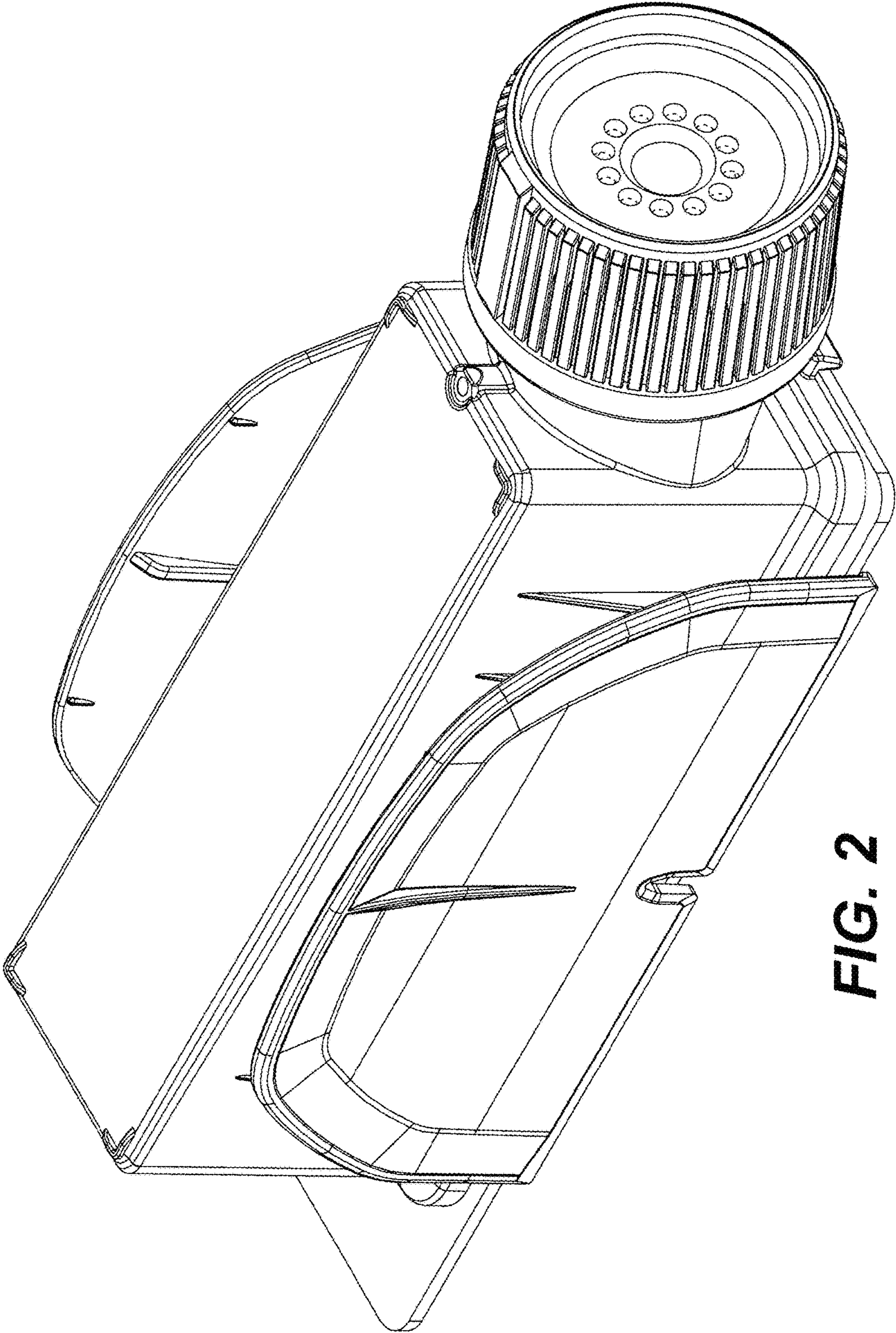


FIG. 2

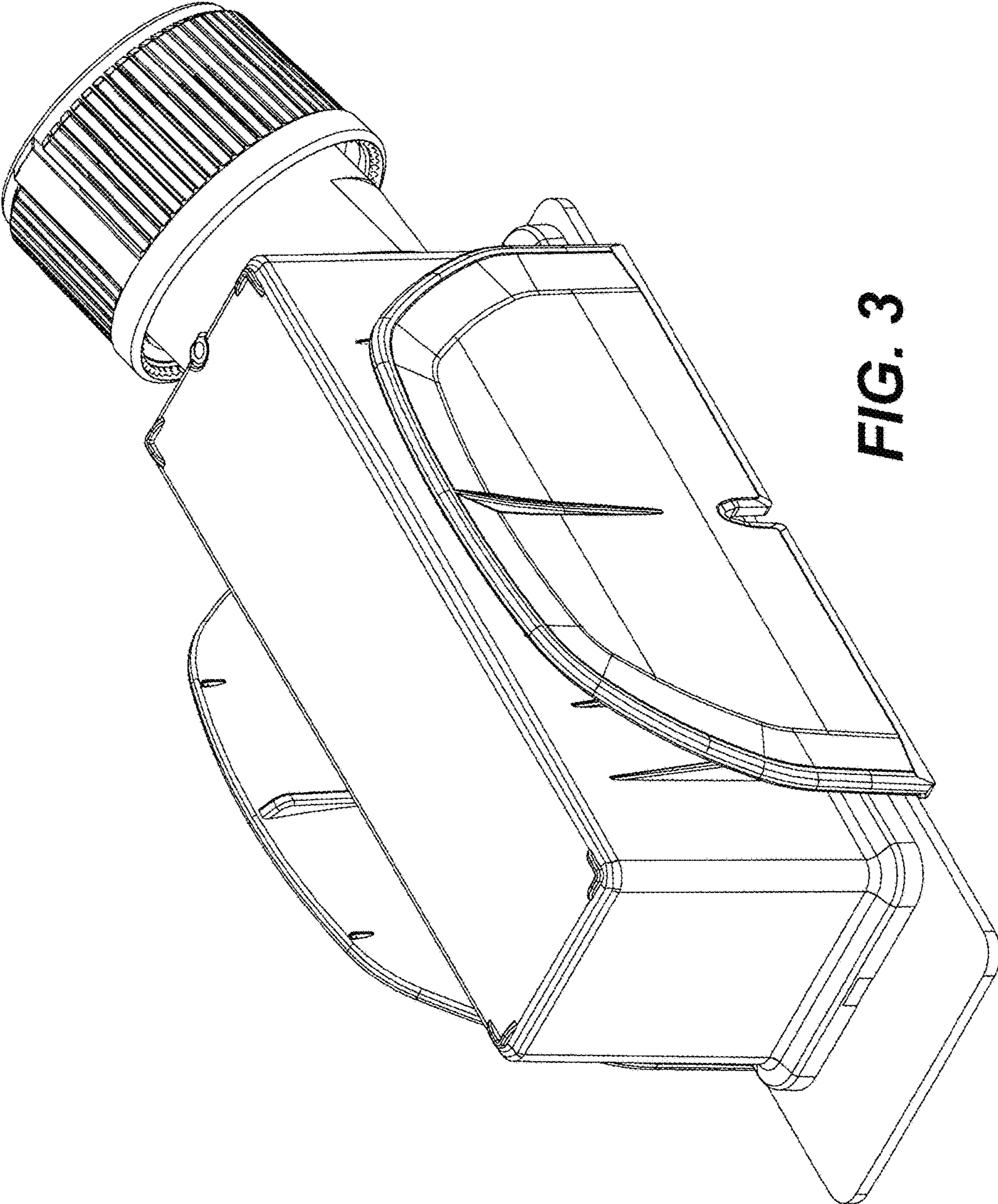


FIG. 3

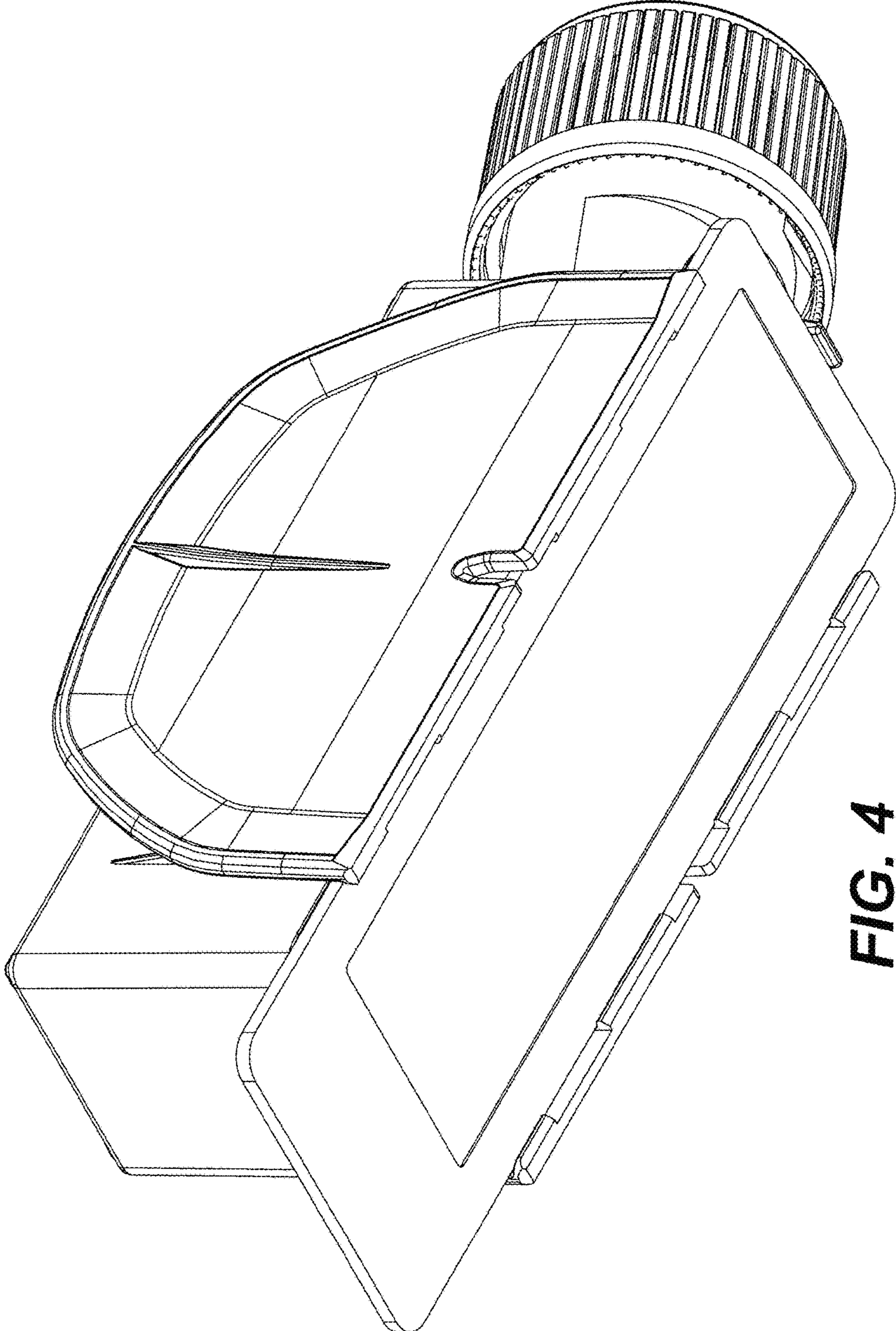


FIG. 4

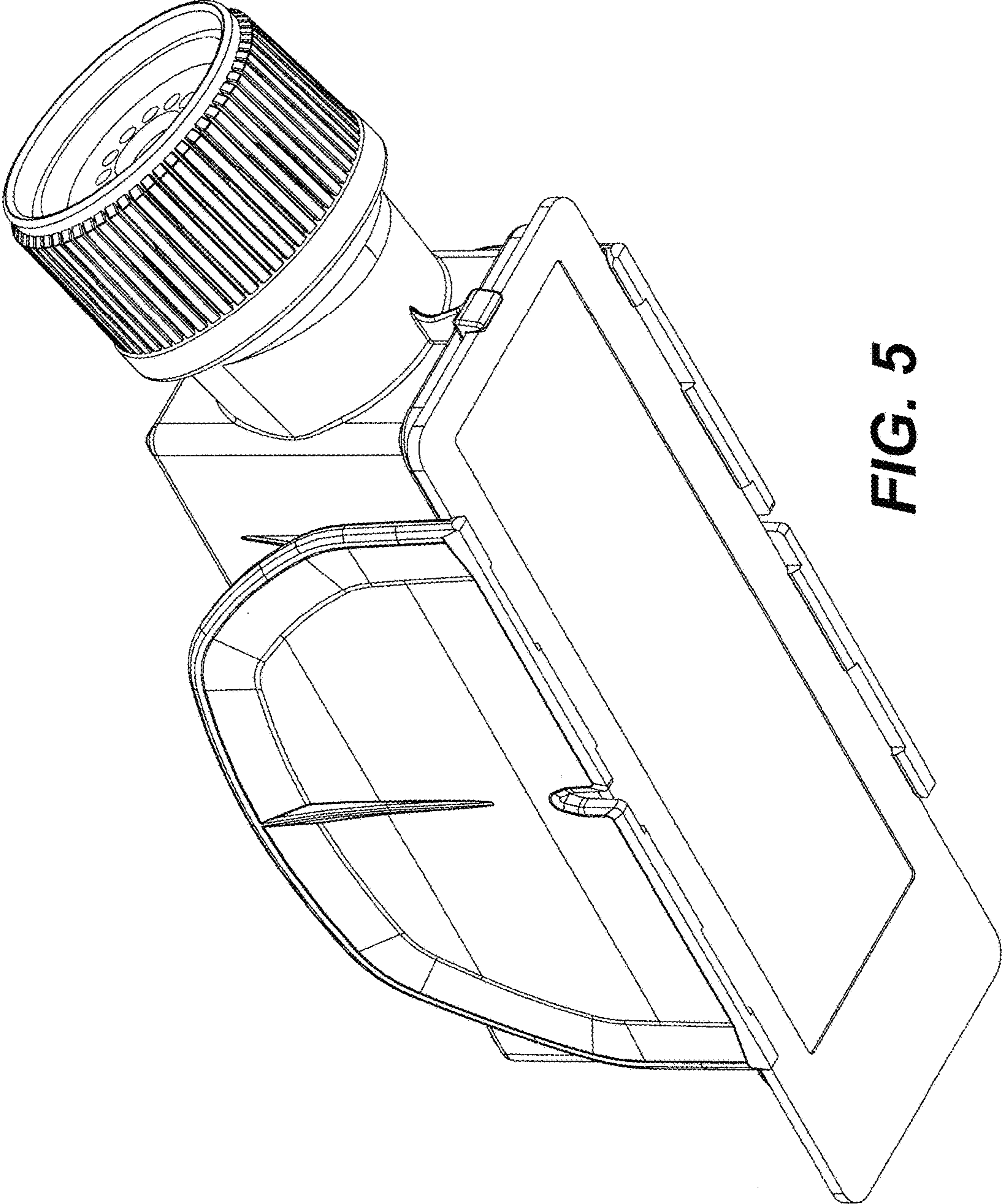


FIG. 5

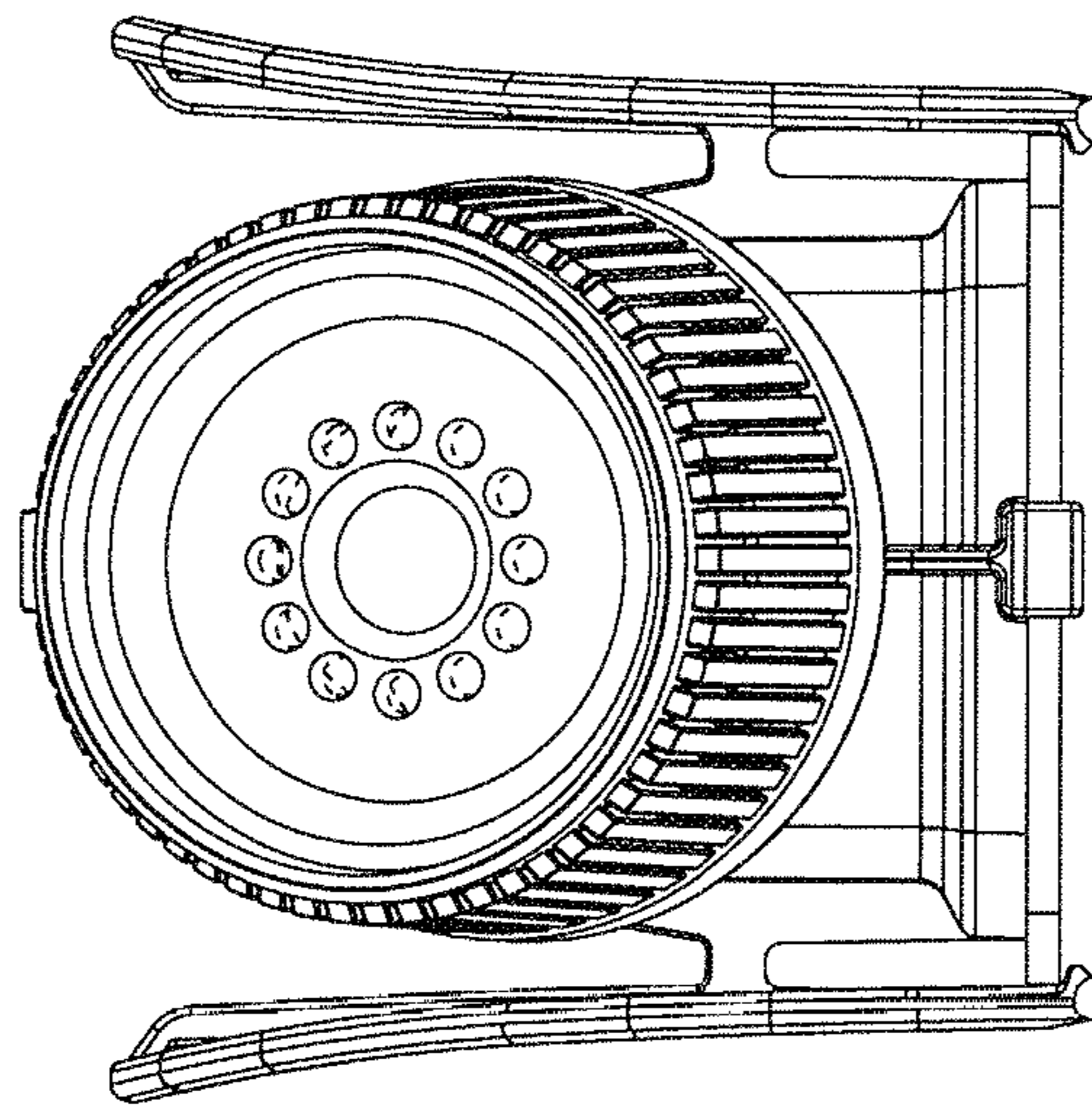


FIG. 6

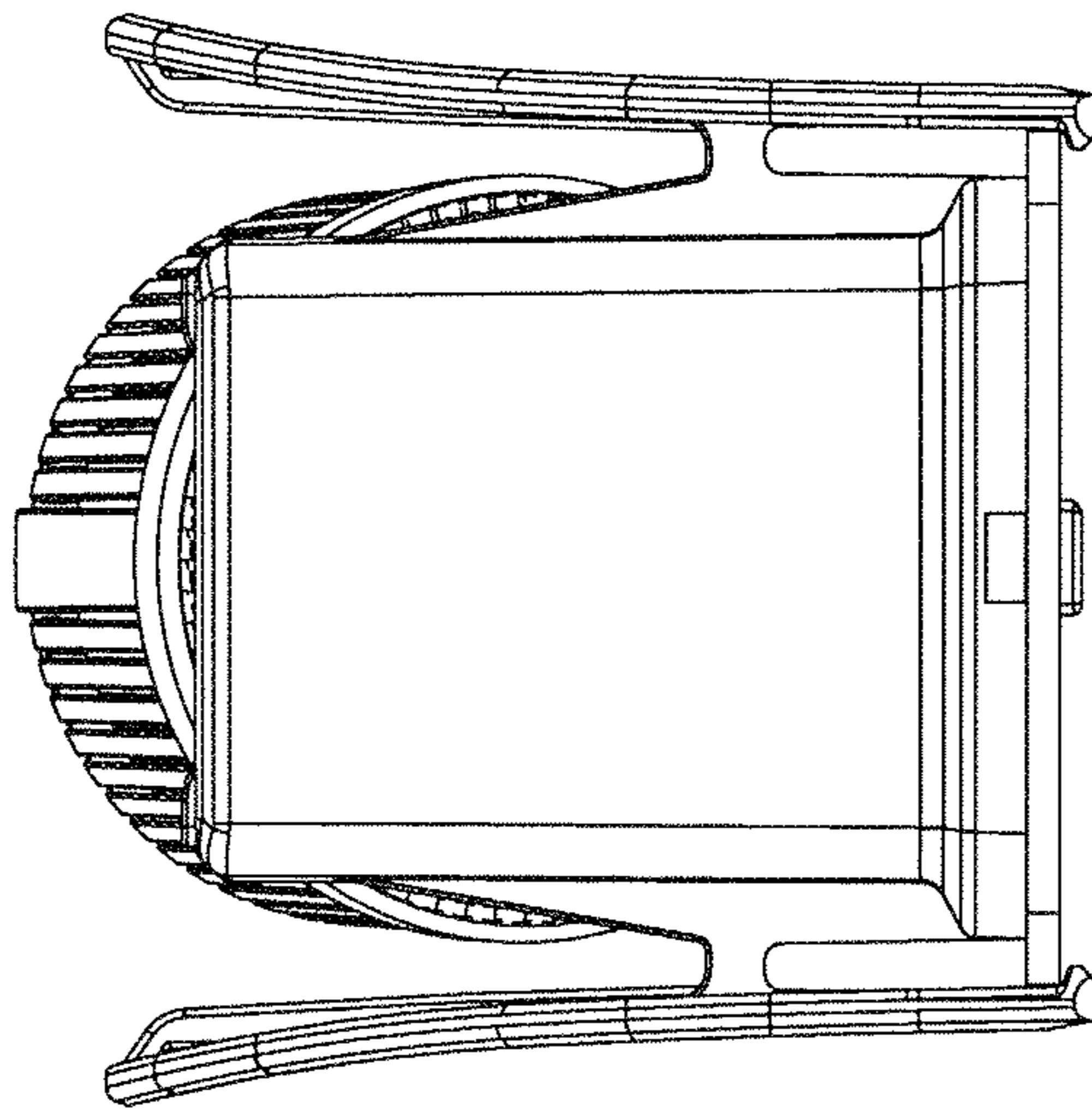


FIG. 7

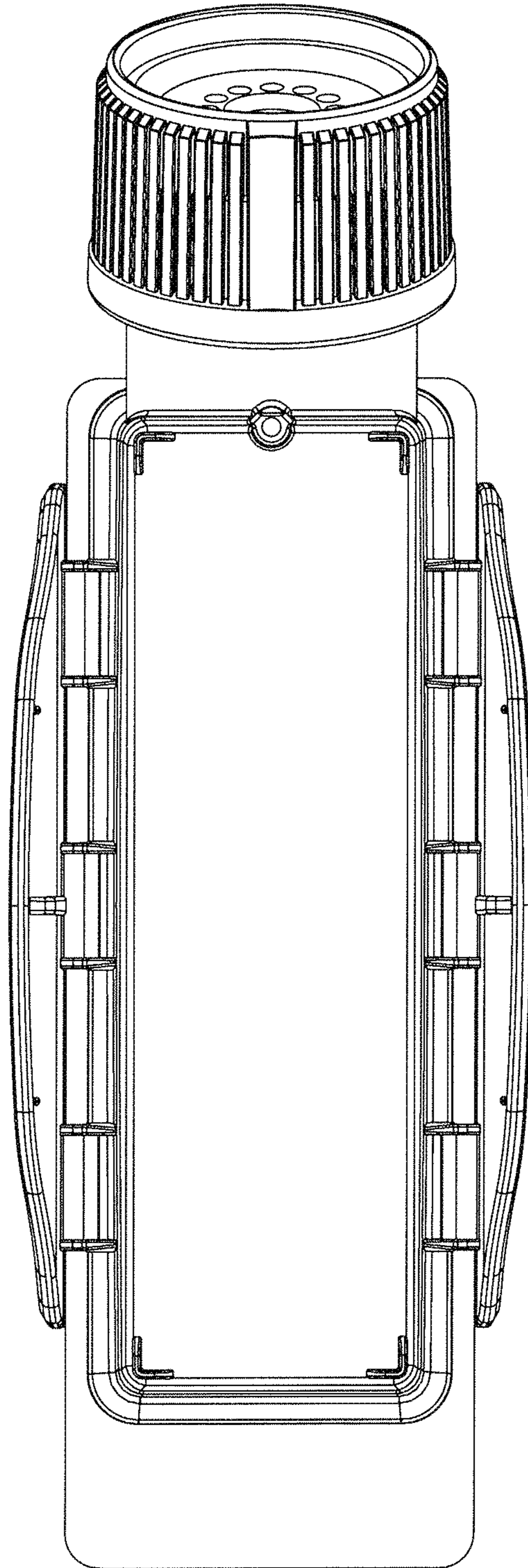


FIG. 8

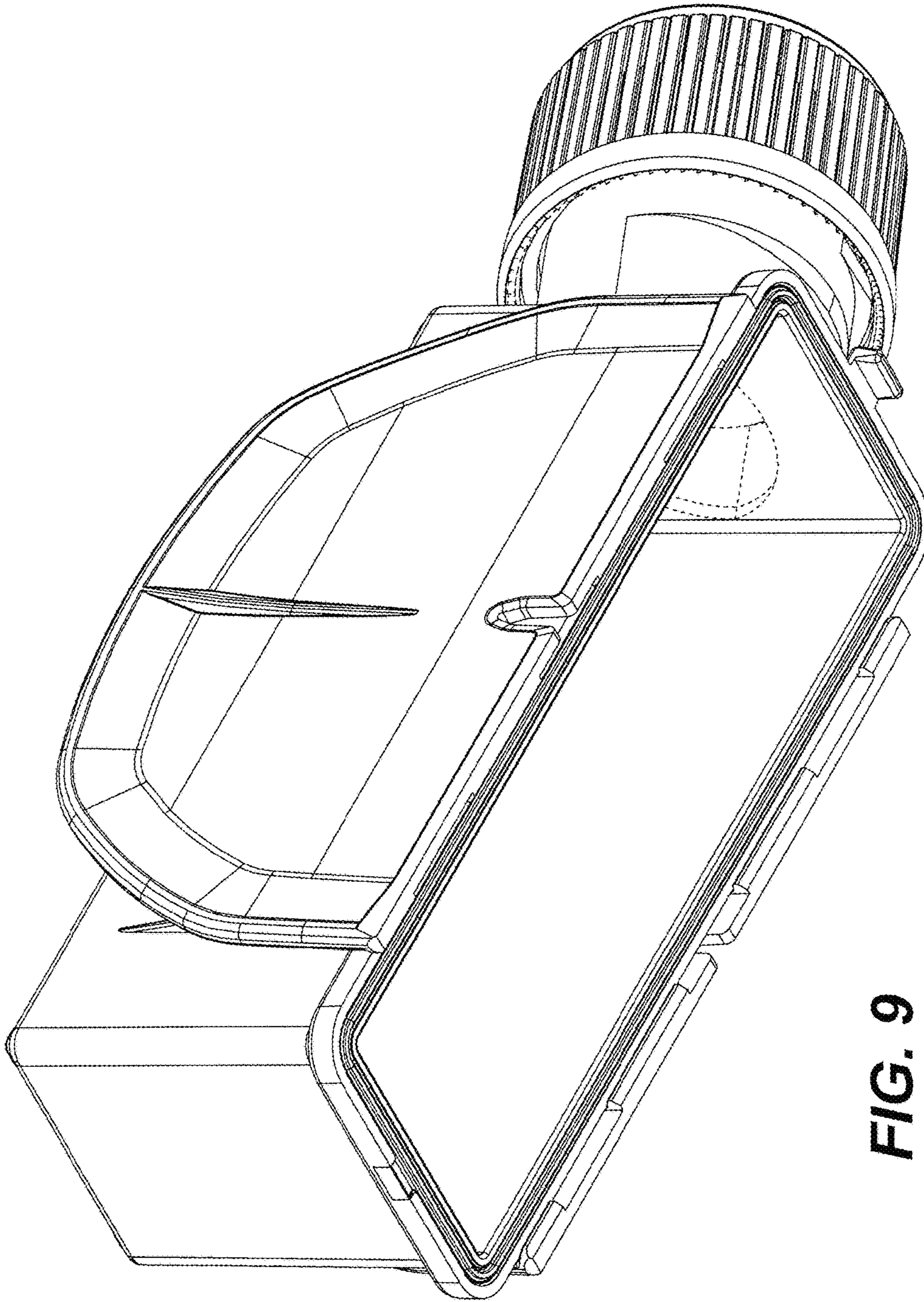


FIG. 9

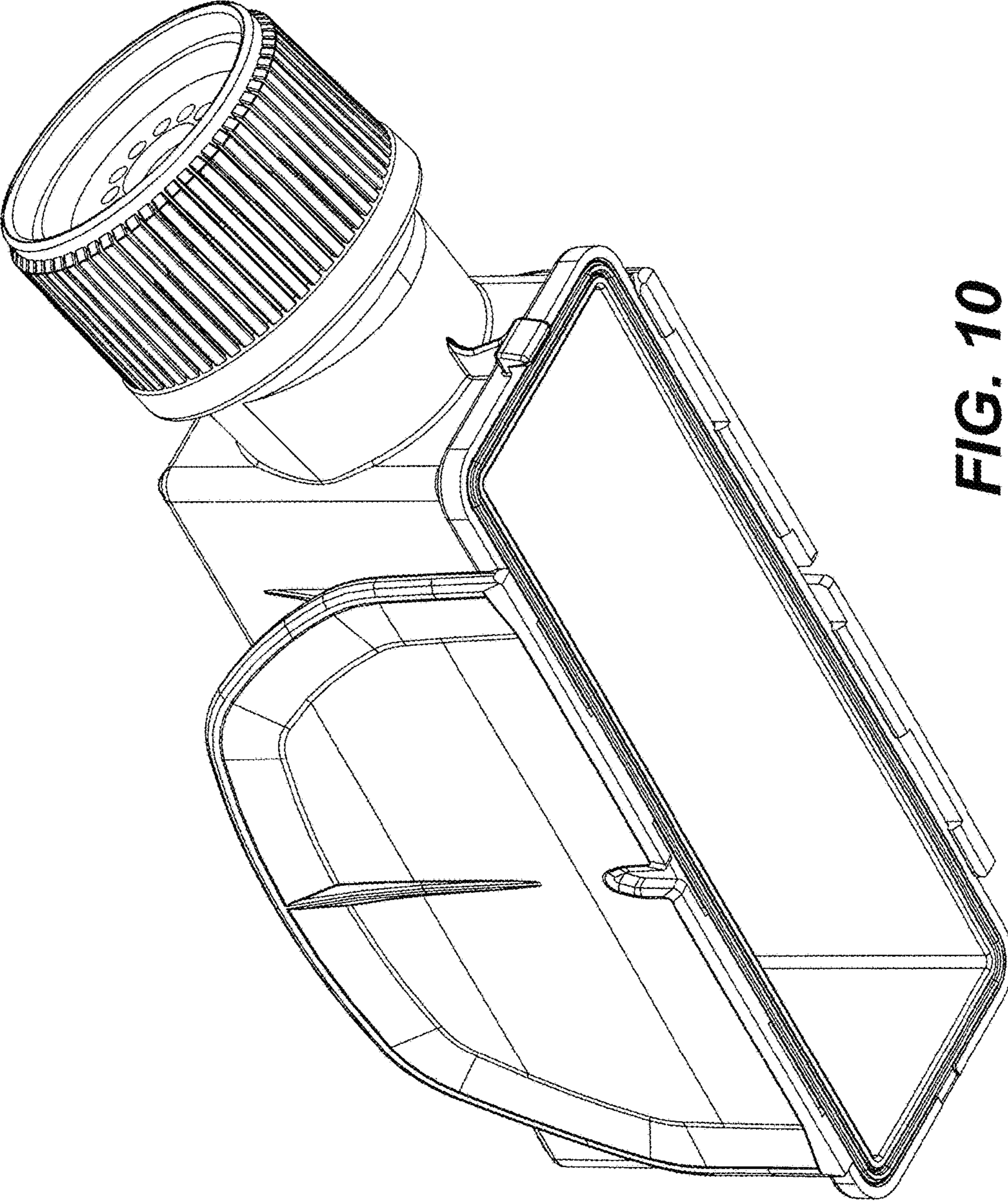


FIG. 10

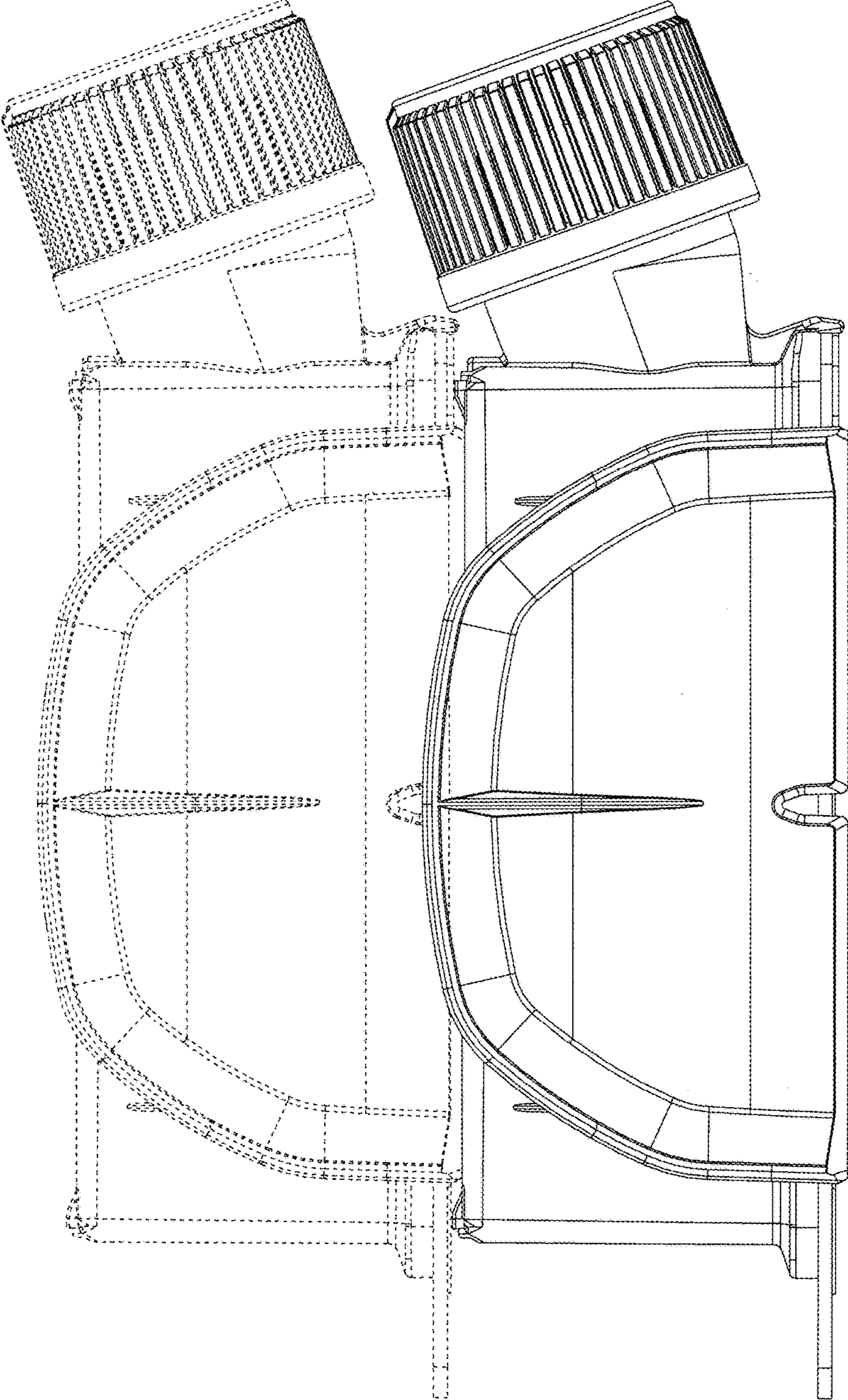


FIG. 11

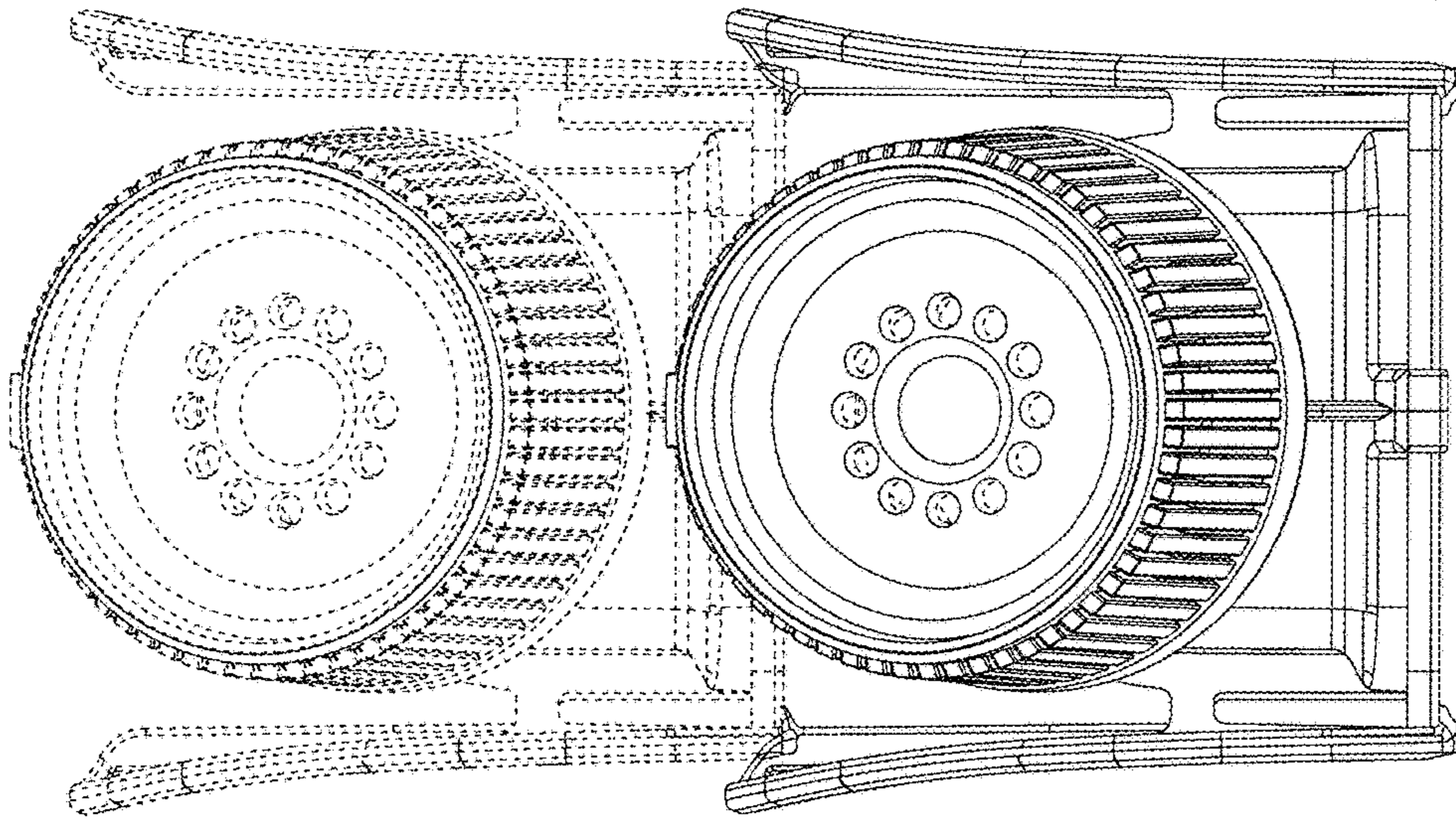


FIG. 12