



US00D821601S

(12) **United States Design Patent**  
**Henderson**

(10) **Patent No.:** **US D821,601 S**  
(45) **Date of Patent:** **\*\* Jun. 26, 2018**

- (54) **DIAGNOSTIC MEDICAL DEVICE**
- (71) Applicant: **SHENZHEN EDAN MESSER DIAGNOSTICS CO., LIMITED**, Shenzhen (CN)
- (72) Inventor: **Richard Henderson**, Sunnyvale, CA (US)
- (73) Assignee: **SHENZHEN EDAN MESSER DIAGNOSTICS CO., LIMITED**, Shenzhen (CN)
- (\*\*) Term: **15 Years**
- (21) Appl. No.: **29/582,268**
- (22) Filed: **Oct. 26, 2016**
- (51) **LOC (11) Cl.** ..... **24-01**
- (52) **U.S. Cl.**  
USPC ..... **D24/216; D24/169**
- (58) **Field of Classification Search**  
USPC ..... D24/107, 186, 216, 217, 219, 220, 223, D24/224, 225, 226, 229, 231, 232, 234, D24/233, 169; D10/81, 97  
(Continued)

(56) **References Cited**

**U.S. PATENT DOCUMENTS**

- D381,749 S \* 7/1997 Lawrence ..... D24/169
  - D670,400 S \* 11/2012 O'Sullivan ..... D24/169
- (Continued)

**OTHER PUBLICATIONS**

H30, posted at edan.com, no posting date given, available online, site visited Jan. 16, 2018, URL:<http://www.edan.com.cn/html/EN/products/IVD/Hematology%20Analyzer/201704/012490.html>.\*

*Primary Examiner* — Anhdao Doan  
*Assistant Examiner* — Mary Malley

(74) *Attorney, Agent, or Firm* — Gilberto M. Villacorta; Brett P. Belden; Foley & Lardner LLP

(57) **CLAIM**

I claim the ornamental design for a diagnostic medical device, as shown and described.

**DESCRIPTION**

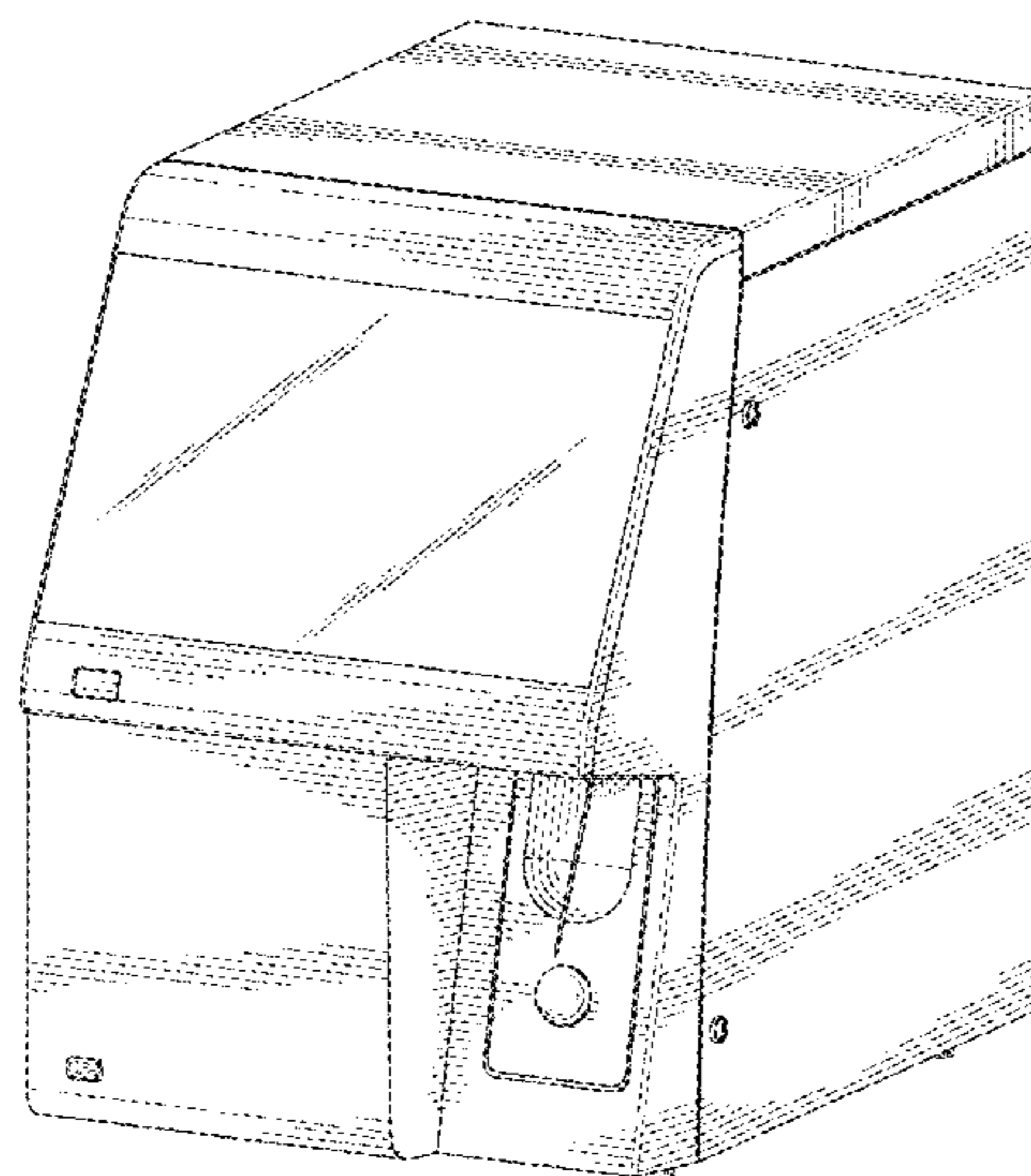
FIG. 1 is a top, front, right perspective view of an embodiment of the claimed design;  
FIG. 2 is a front elevation view thereof;  
FIG. 3 is a rear elevation view thereof;  
FIG. 4 is a left elevation view thereof;  
FIG. 5 is a right elevation view thereof;  
FIG. 6 is a top plan view thereof; and,  
FIG. 7 is a bottom plan view thereof.

The ornamental design which is claimed is shown in solid lines in the drawings. The broken lines in the drawings are for illustrative purposes only and form no part of the claimed design. Broken lines formed by equal length dashes show unclaimed portions of the design.

Broken lines formed of unequal length dashes (i.e., dash-dot) show boundaries between claimed and unclaimed portions of the design. Lines having a jagged element are not part of the claimed design and show that no particular length of the portion is claimed. Portions shown in stipple shading as opposed to line shading show contrasting surfaces unlimited by colors.

While the accompanying drawings illustrate one or more exemplary embodiments, it should be understood that according to other exemplary embodiments that should be considered to be within the possession of the inventors of the present application at the time this application is being filed, it is contemplated that any illustrated solid lines (or portions thereof) may be converted to broken lines and that any illustrated broken lines (or portions thereof) may be converted to solid lines so as to claim or disclaim portions, components, or sub-components of the designs shown. It is further contemplated that shading may be added or removed to claim or disclaim the corresponding surfaces.

**1 Claim, 7 Drawing Sheets**



(58) **Field of Classification Search**

CPC ..... G01N 2035/00306; G01N 2035/00326;  
G01N 2035/00336; G01N 33/53; G01N  
33/5302; G01N 33/569; C12Q 1/686;  
B01L 7/52

See application file for complete search history.

(56) **References Cited**

U.S. PATENT DOCUMENTS

D682,441 S *	5/2013	Kim .....	D24/216
D688,804 S *	8/2013	Kim .....	D24/216
D694,888 S *	12/2013	Chung .....	D24/169
D728,121 S *	4/2015	Cook .....	D24/216
D774,205 S *	12/2016	Grace .....	D24/169
2016/0303563 A1 *	10/2016	Granier .....	G01N 21/01

\* cited by examiner

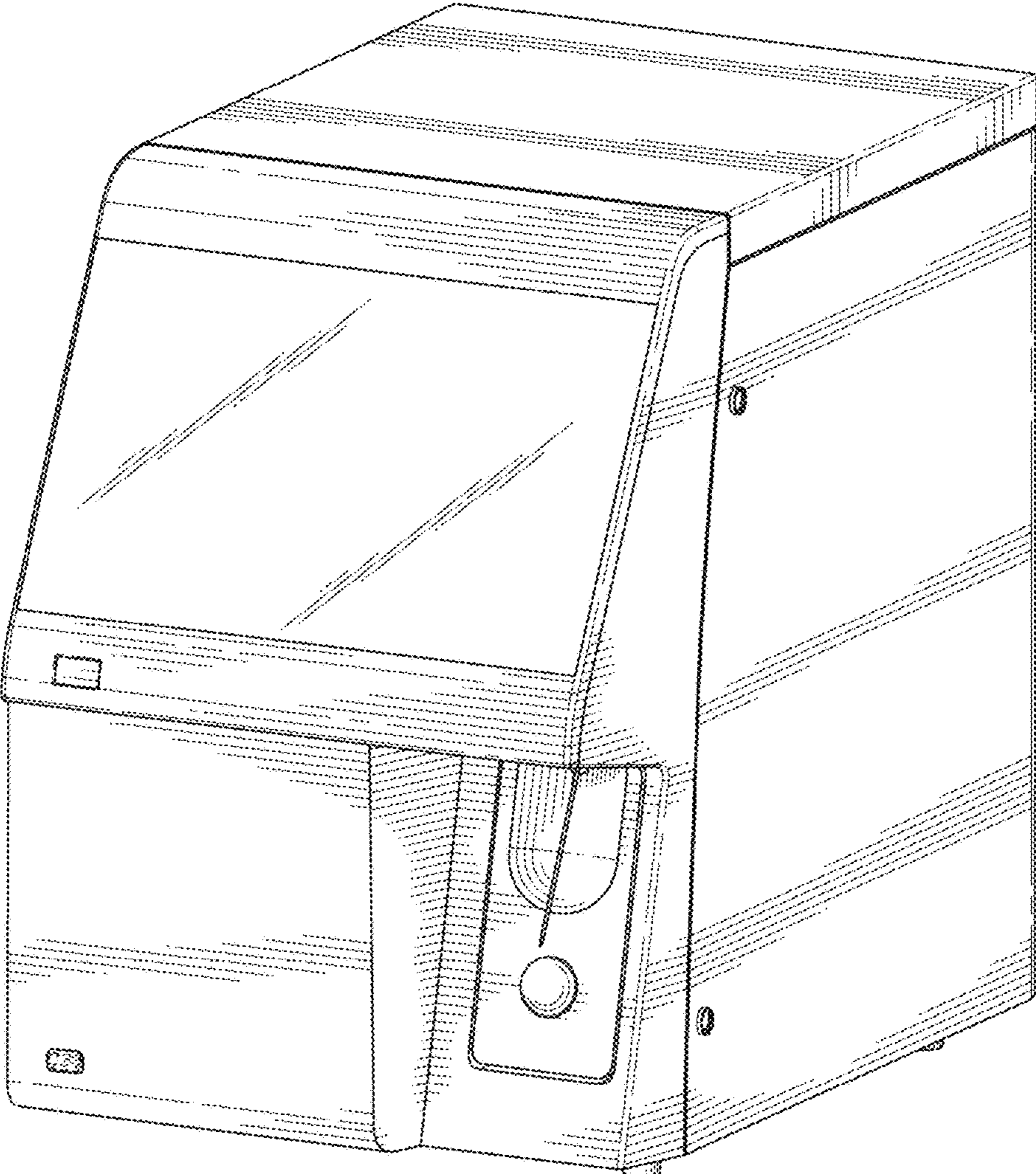


FIG. 1

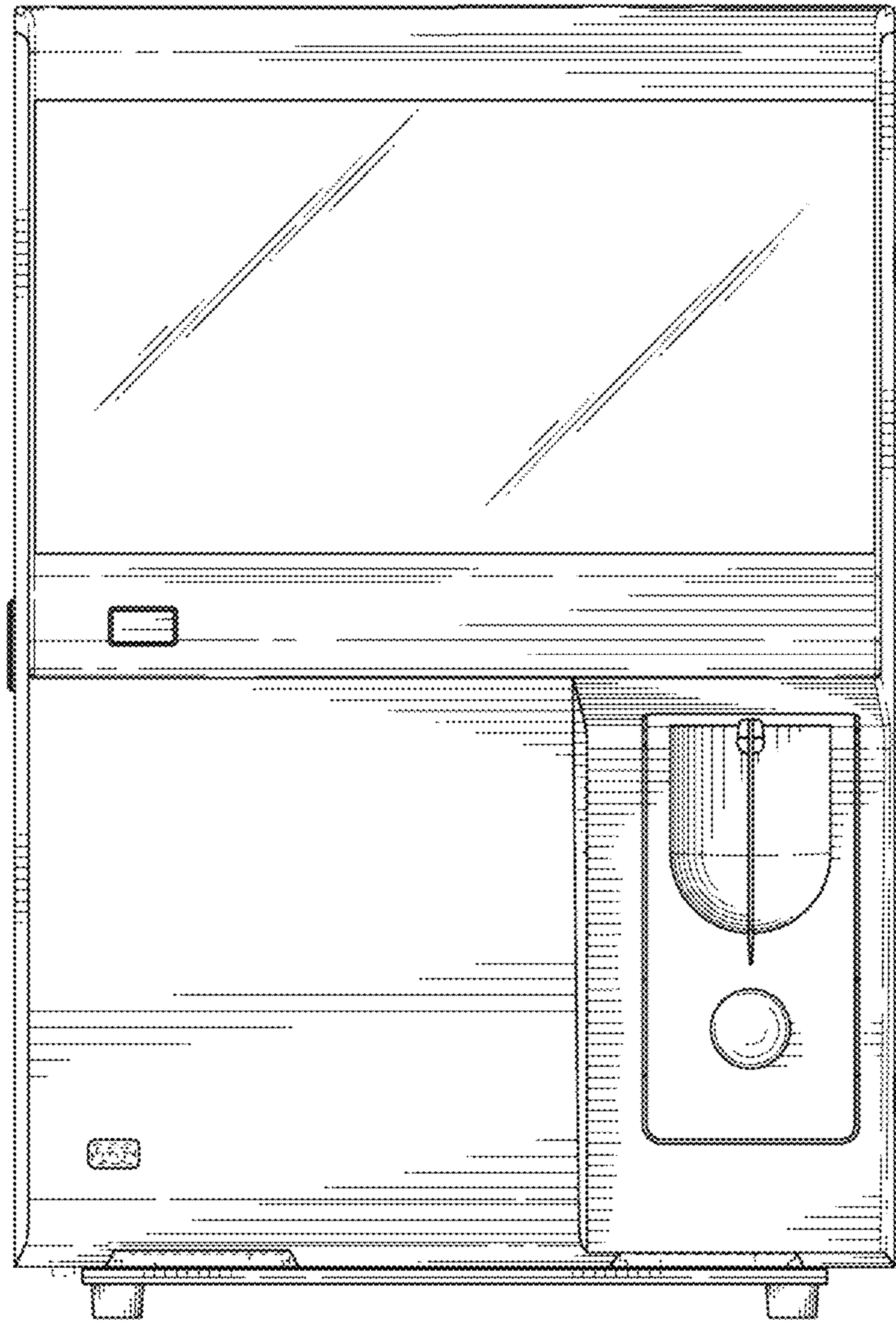


FIG. 2

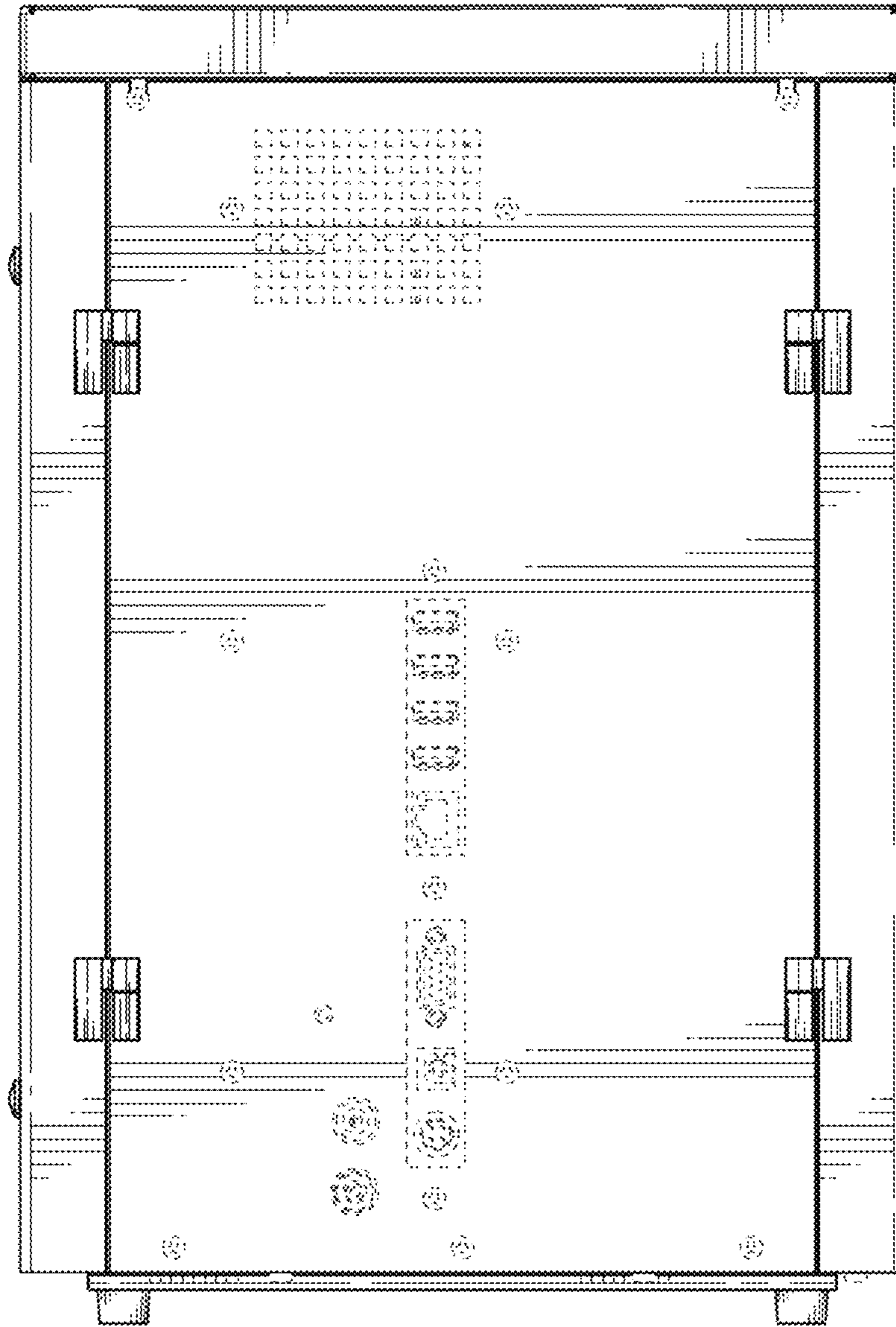


FIG. 3

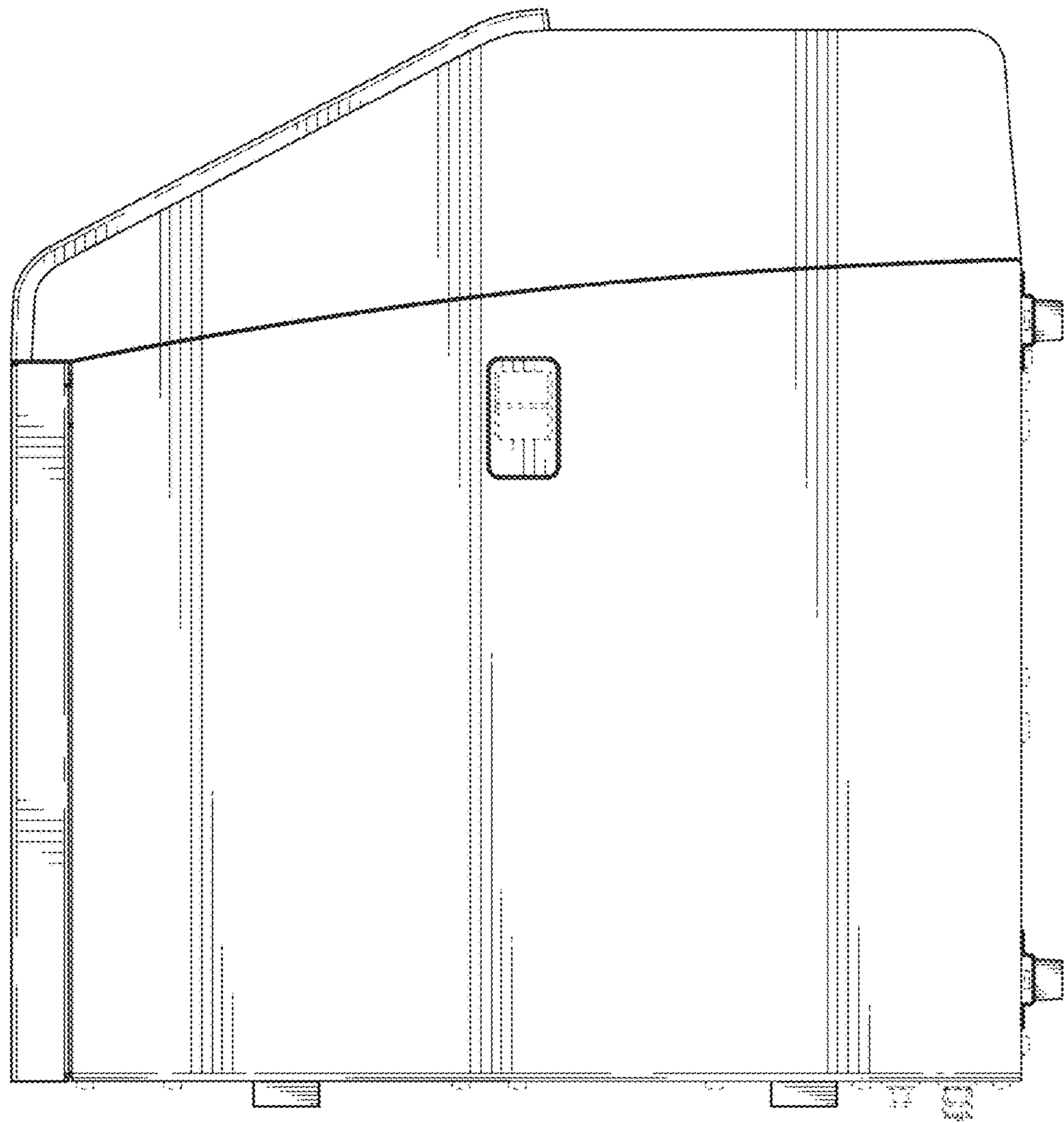


FIG. 4

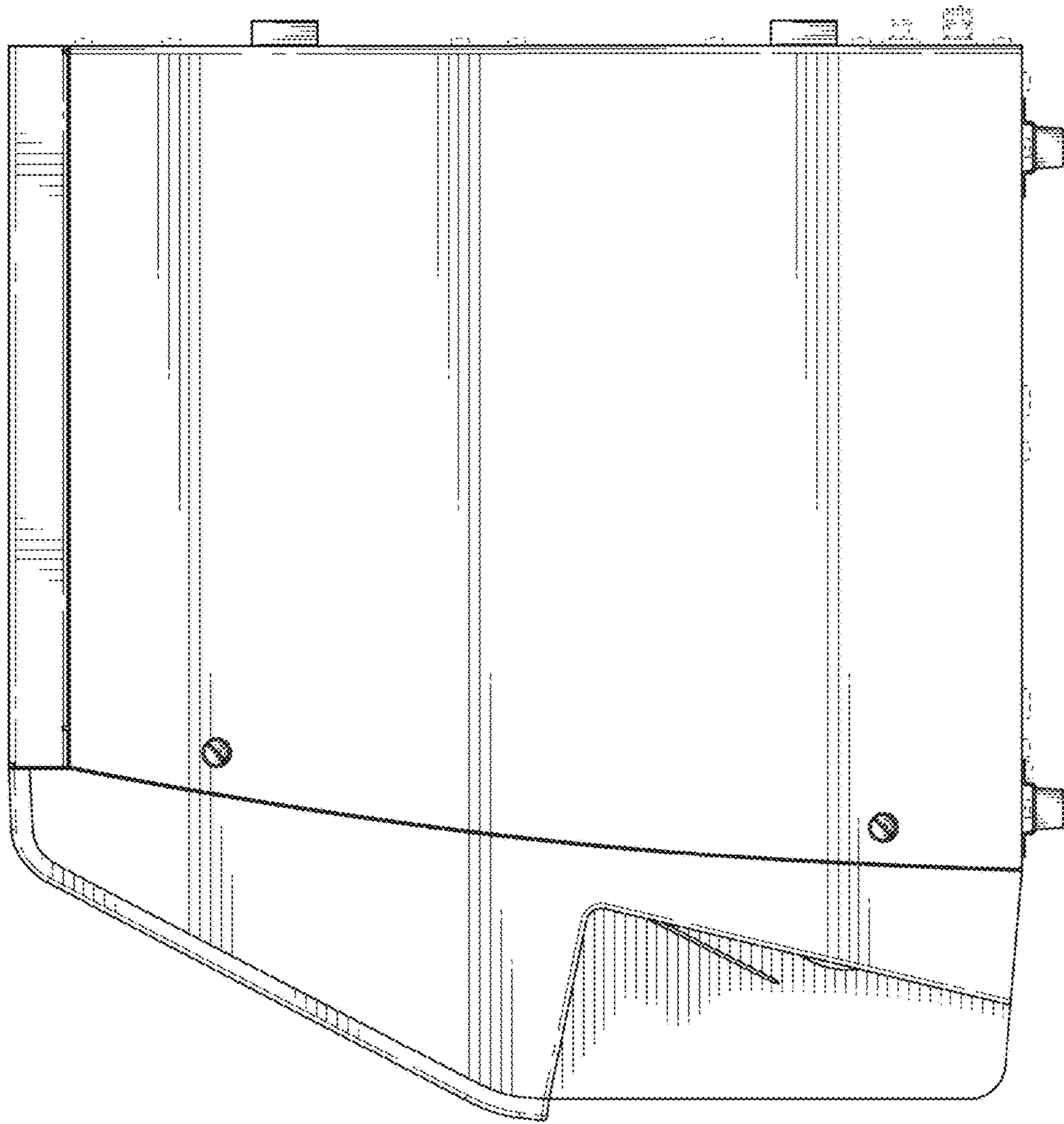


FIG. 5

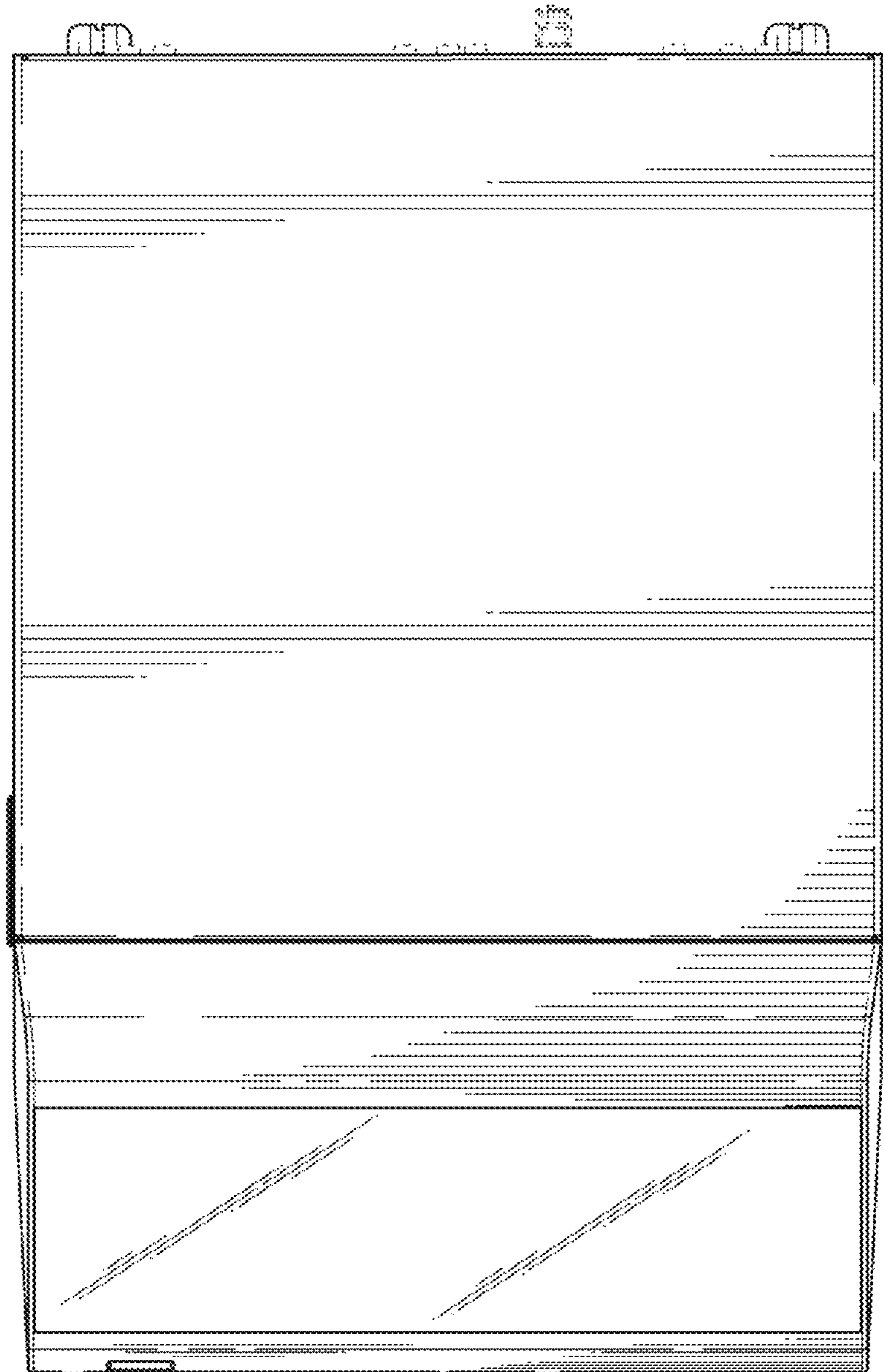


FIG. 6



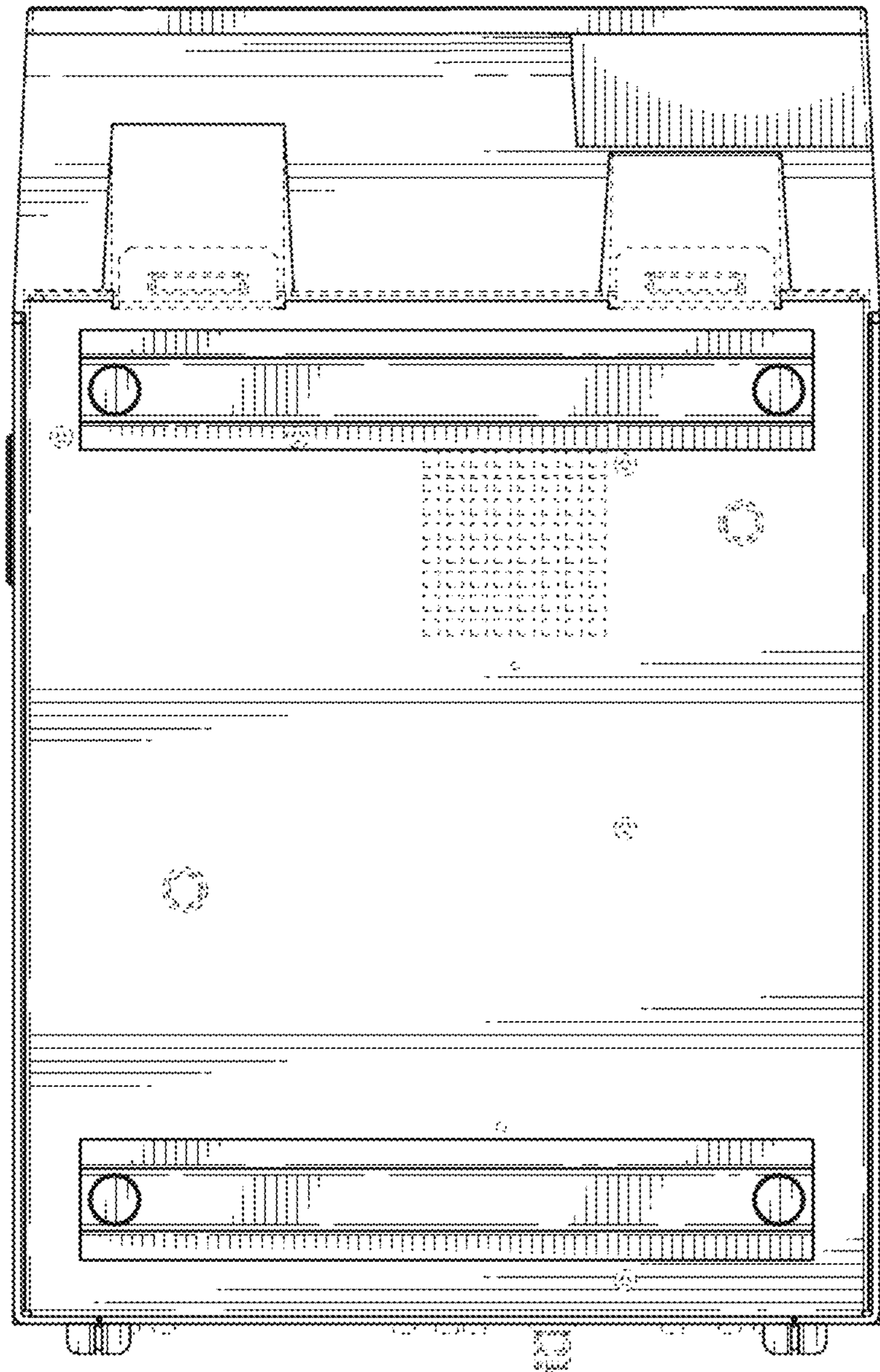


FIG. 7