



US00D821600S

(12) **United States Design Patent**
Chang et al.

(10) **Patent No.:** **US D821,600 S**
(45) **Date of Patent:** **** Jun. 26, 2018**

(54) **SEXUAL STIMULATION DEVICE**

(74) *Attorney, Agent, or Firm* — Jeffrey Schox; Diana Lin

(71) Applicant: **Crave Innovations, Inc.**, San Francisco, CA (US)

(57) **CLAIM**

We claim the ornamental design for a sexual stimulation device, as shown and described.

(72) Inventors: **Tian Yi Chang**, San Francisco, CA (US); **Christine Concho**, San Francisco, CA (US); **Michael Topolovac**, San Francisco, CA (US)

DESCRIPTION

(73) Assignee: **Crave Innovations, Inc.**, San Francisco, CA (US)

FIG. 1 is an isometric view from the bottom right of a first embodiment of the sexual stimulation device.

(**) Term: **15 Years**

FIG. 2 is an isometric view from the top left of the first embodiment of the sexual stimulation device.

(21) Appl. No.: **29/547,084**

FIG. 3 is an elevation view from the right of the first embodiment of the sexual stimulation device.

(22) Filed: **Dec. 1, 2015**

FIG. 4 is a plan view from the bottom of the first embodiment of the sexual stimulation device.

(51) **LOC (11) Cl.** **28-03**

FIG. 5 is a plan view from the top of the first embodiment of the sexual stimulation device.

(52) **U.S. Cl.**

USPC **D24/215**

FIG. 6 is an isometric view from the bottom right of a second embodiment of the sexual stimulation device, the second embodiment of the sexual stimulation device comprising a top segment and a bottom segment.

(58) **Field of Classification Search**

USPC D24/200, 211, 212, 213, 214, 215; 601/19, 27-32, 46-48, 52, 99, 112-113, 601/118, 135, 137, DIG. 12, DIG. 14, 601/DIG. 15, DIG. 16, DIG. 17; D30/160; D14/218, 138 AA, 248

FIG. 7 is an isometric view from the top left of the second embodiment of the sexual stimulation device.

CPC A61H 19/00; A61H 19/30; A61H 19/32; A61H 19/34; A61H 19/40; A61H 19/44; A61H 19/50; A61H 2015/0007; A61H 2015/0014; A61H 2015/0042; A61H 15/00; A61H 7/003; A61H 7/005

FIG. 8 is an elevation view from the right of the second embodiment of the sexual stimulation device.

See application file for complete search history.

FIG. 9 is a plan view from the top of the bottom segment of the second embodiment of the sexual stimulation device, wherein the top segment has been removed for ease of illustration.

(56) **References Cited**

U.S. PATENT DOCUMENTS

4,182,317 A * 1/1980 Ash A61H 31/00
601/107
D268,528 S * 4/1983 Hung D26/49
(Continued)

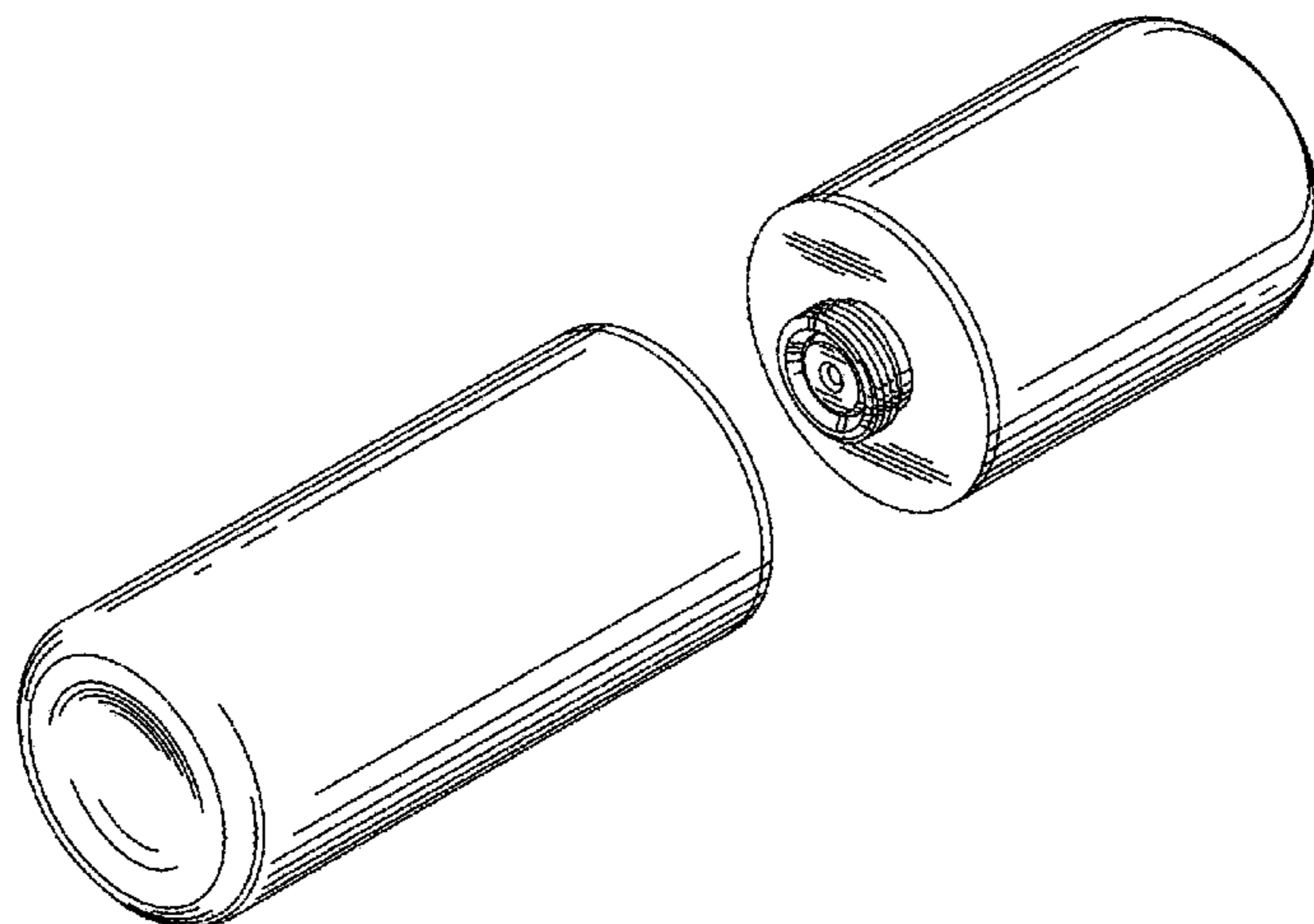
FIG. 10 is a plan view from the bottom of the top segment of the second embodiment of the sexual stimulation device, wherein the bottom segment has been removed for ease of illustration.

FIG. 11 is a plan view from the bottom of the second embodiment of the sexual stimulation device; and,
FIG. 12 is a plan view from the top of the second embodiment of the sexual stimulation device.

The sexual stimulation device is radially symmetric, so only one side view is provided.

1 Claim, 4 Drawing Sheets

Primary Examiner — Sandra Snapp



(56)

References Cited

U.S. PATENT DOCUMENTS

4,807,603 A * 2/1989 Yasui A61H 15/00
601/121
D313,827 S * 1/1991 Smith D21/684
5,244,442 A * 9/1993 Schill A63B 21/015
482/114
D342,139 S * 12/1993 Wollman D24/214
D369,442 S * 4/1996 Jones D2/500
D390,966 S * 2/1998 Huang D24/211
D426,311 S * 6/2000 Horowitz D24/215
D429,819 S * 8/2000 Coolidge D24/110
D451,564 S * 12/2001 Dean D21/662
D485,910 S * 1/2004 Chan D24/215
D499,811 S * 12/2004 Nan D24/215
D592,313 S * 5/2009 Levine D24/214
D630,761 S * 1/2011 Marshall D24/215
D636,888 S * 4/2011 Nikitzuk D24/215
D639,442 S * 6/2011 Chandler A45D 44/22
D24/190
D648,862 S * 11/2011 Yen D24/215
D652,527 S * 1/2012 Marshall D24/215
D666,733 S * 9/2012 Caggiano D24/215
D695,413 S * 12/2013 Grust D24/214
D708,754 S * 7/2014 Harangvolgyi D24/211
D708,756 S * 7/2014 Marshall D24/215
D732,687 S * 6/2015 Johnson D24/231
D777,939 S * 1/2017 Black D21/662
2008/0027364 A1 * 1/2008 Moutray A61H 7/001
601/134

* cited by examiner

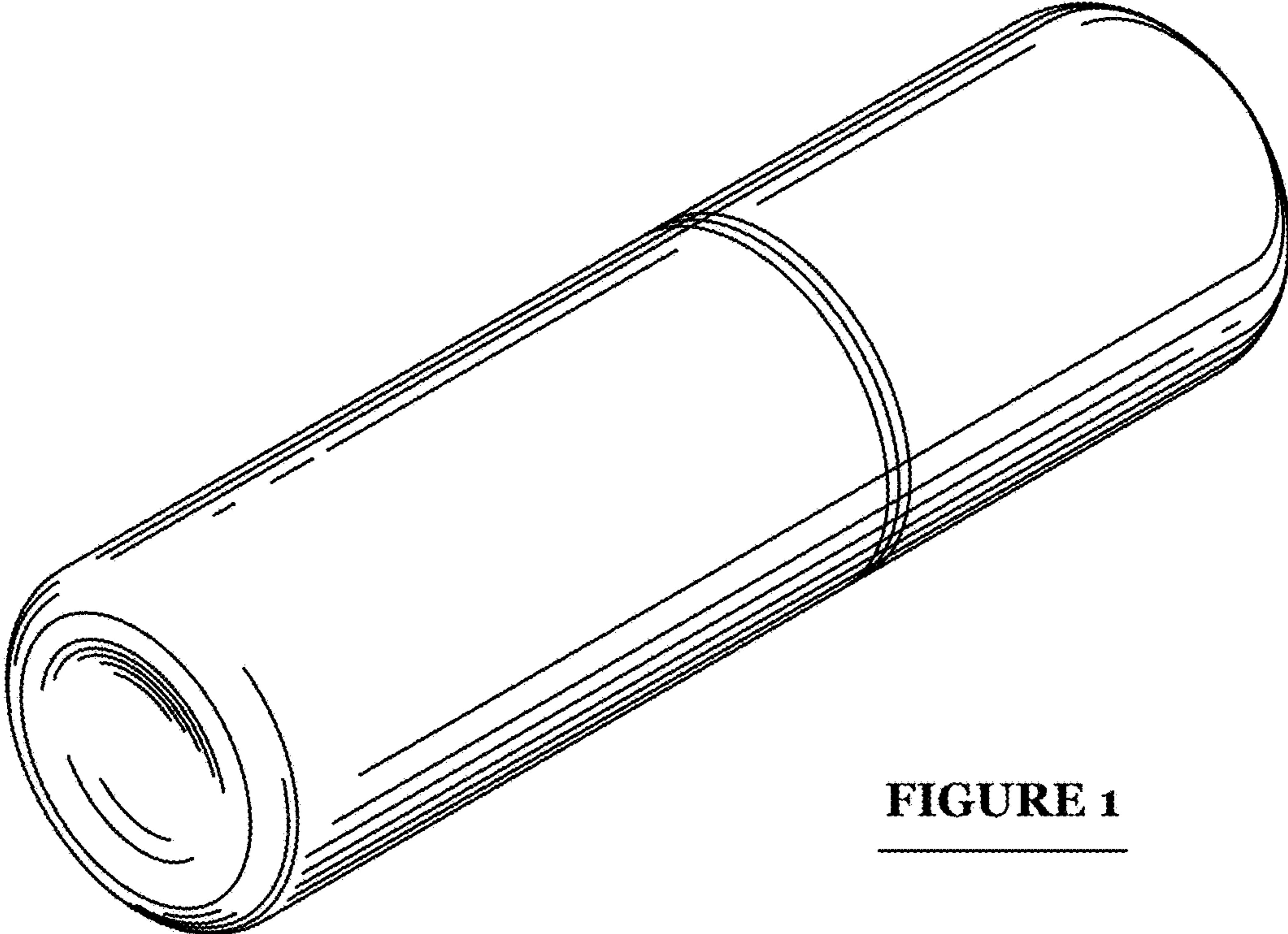


FIGURE 1

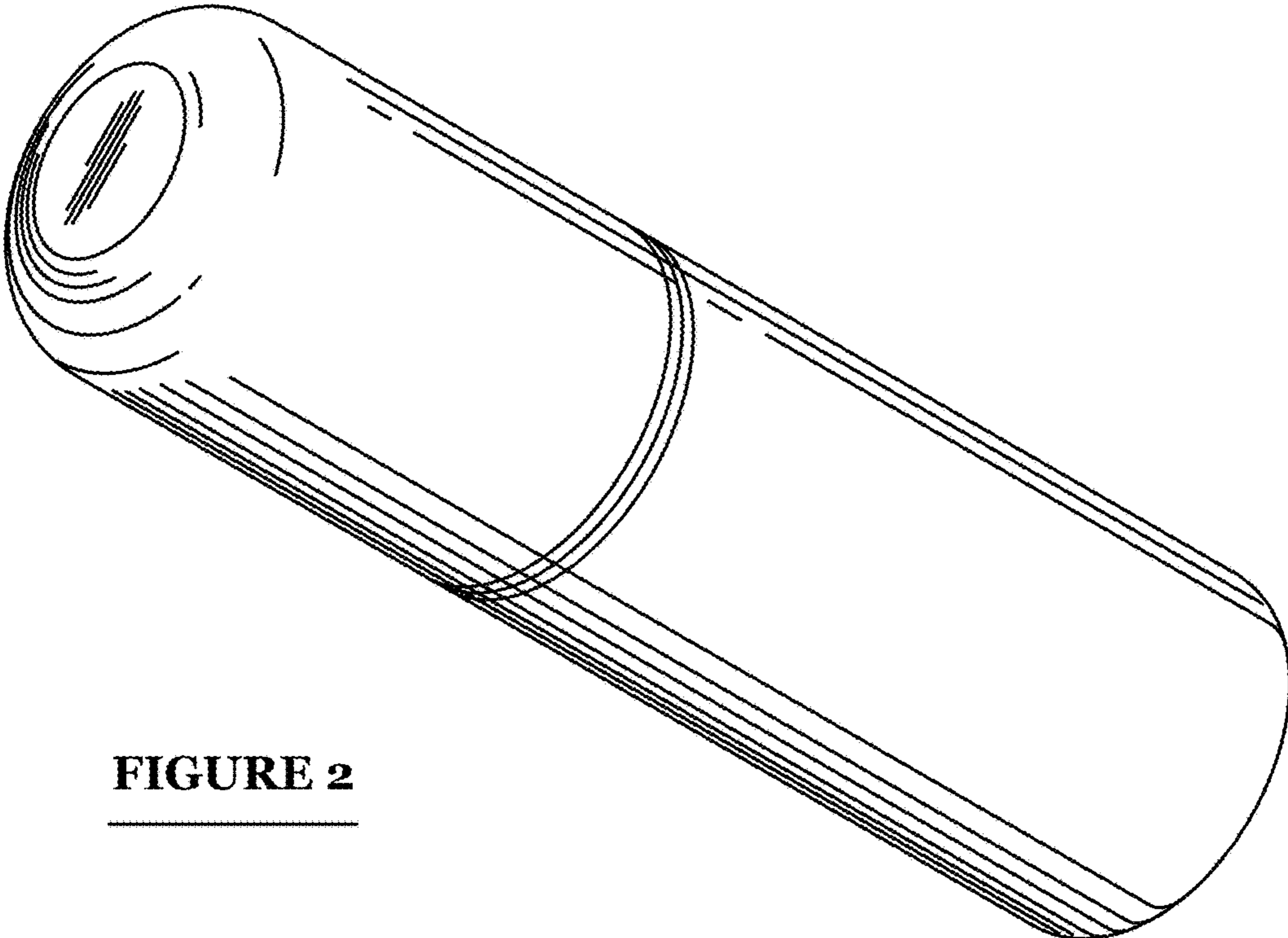


FIGURE 2

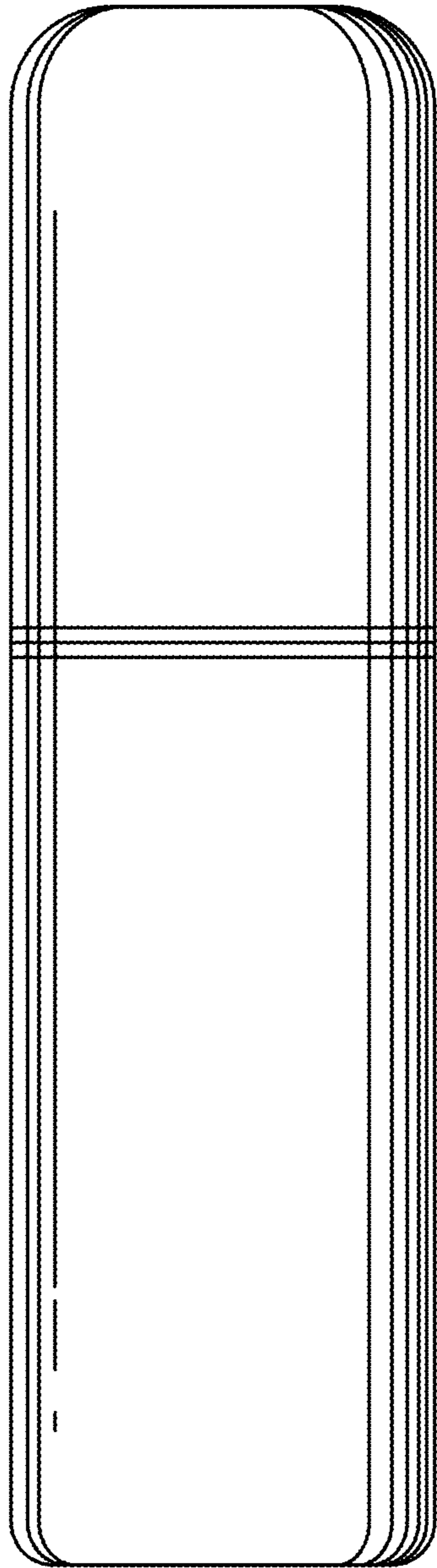


FIGURE 3

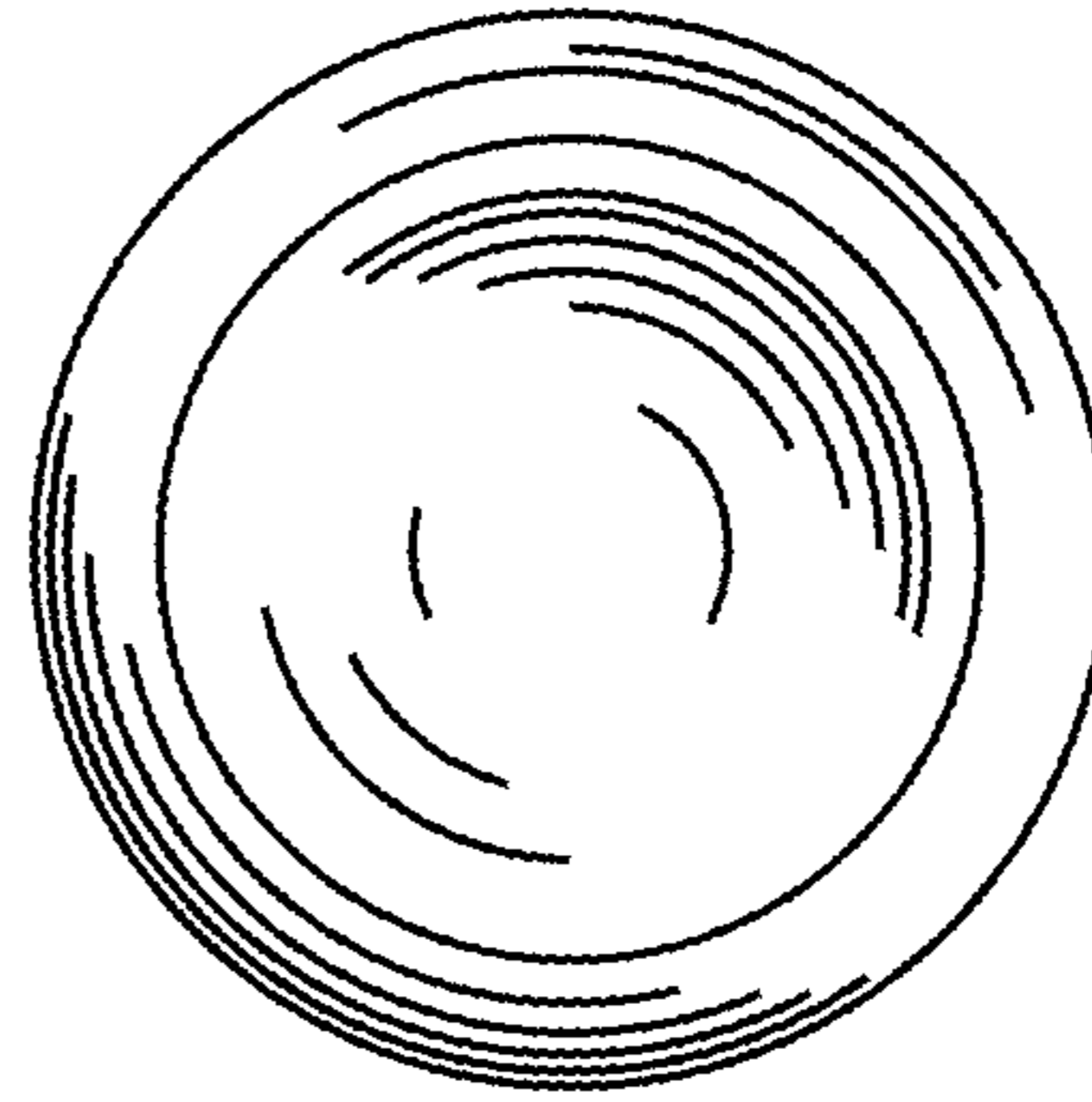


FIGURE 4

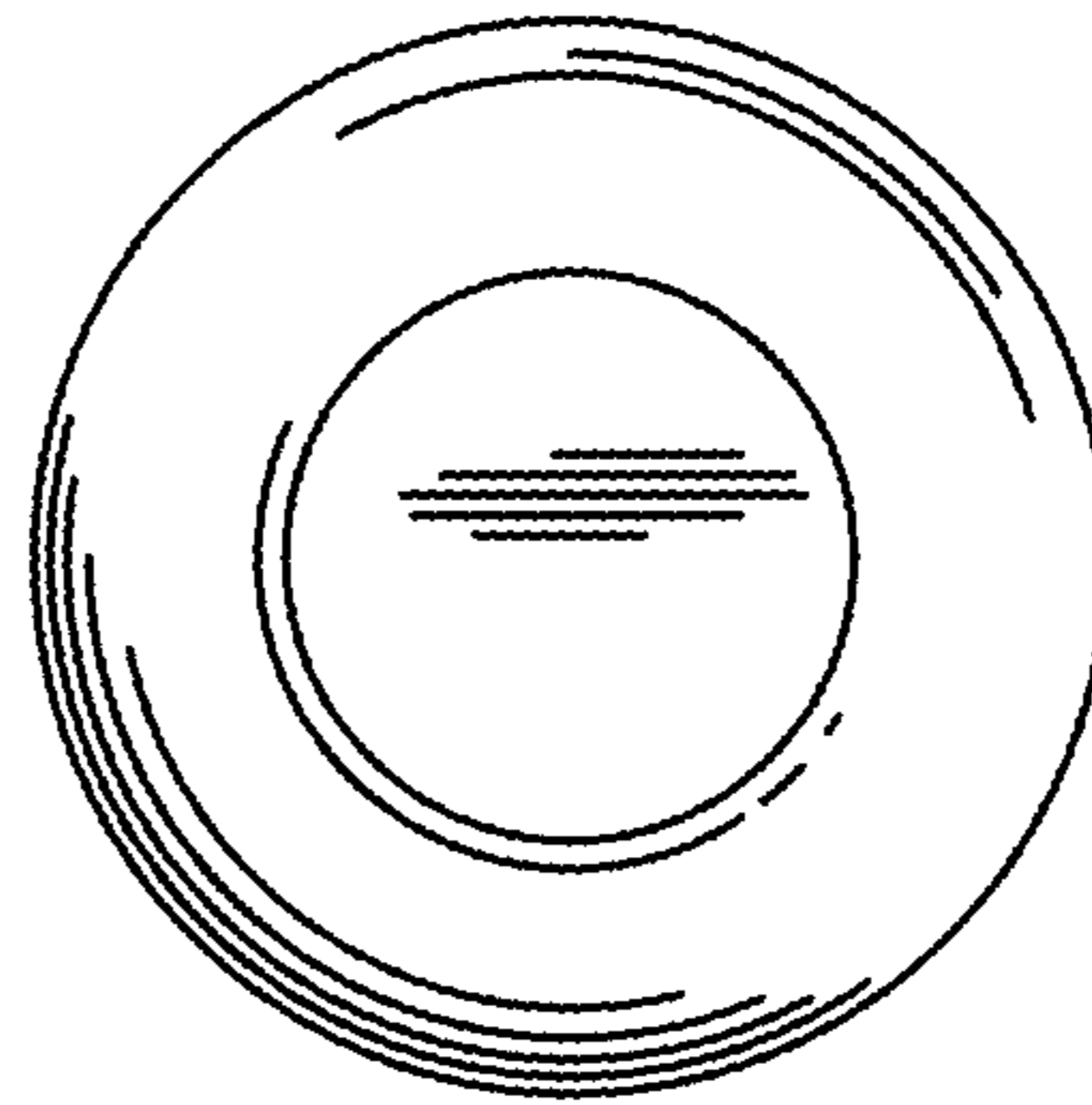


FIGURE 5

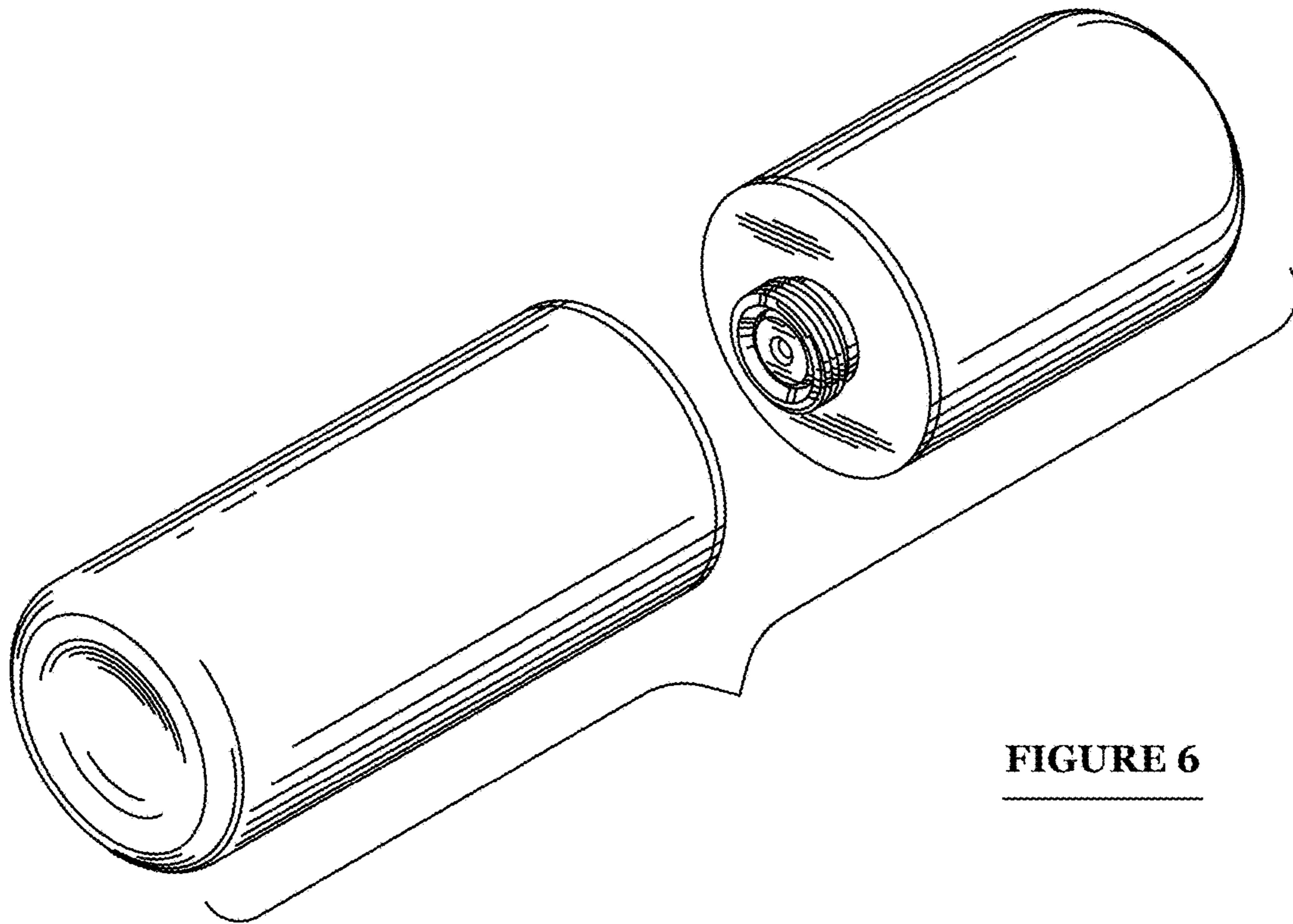


FIGURE 6

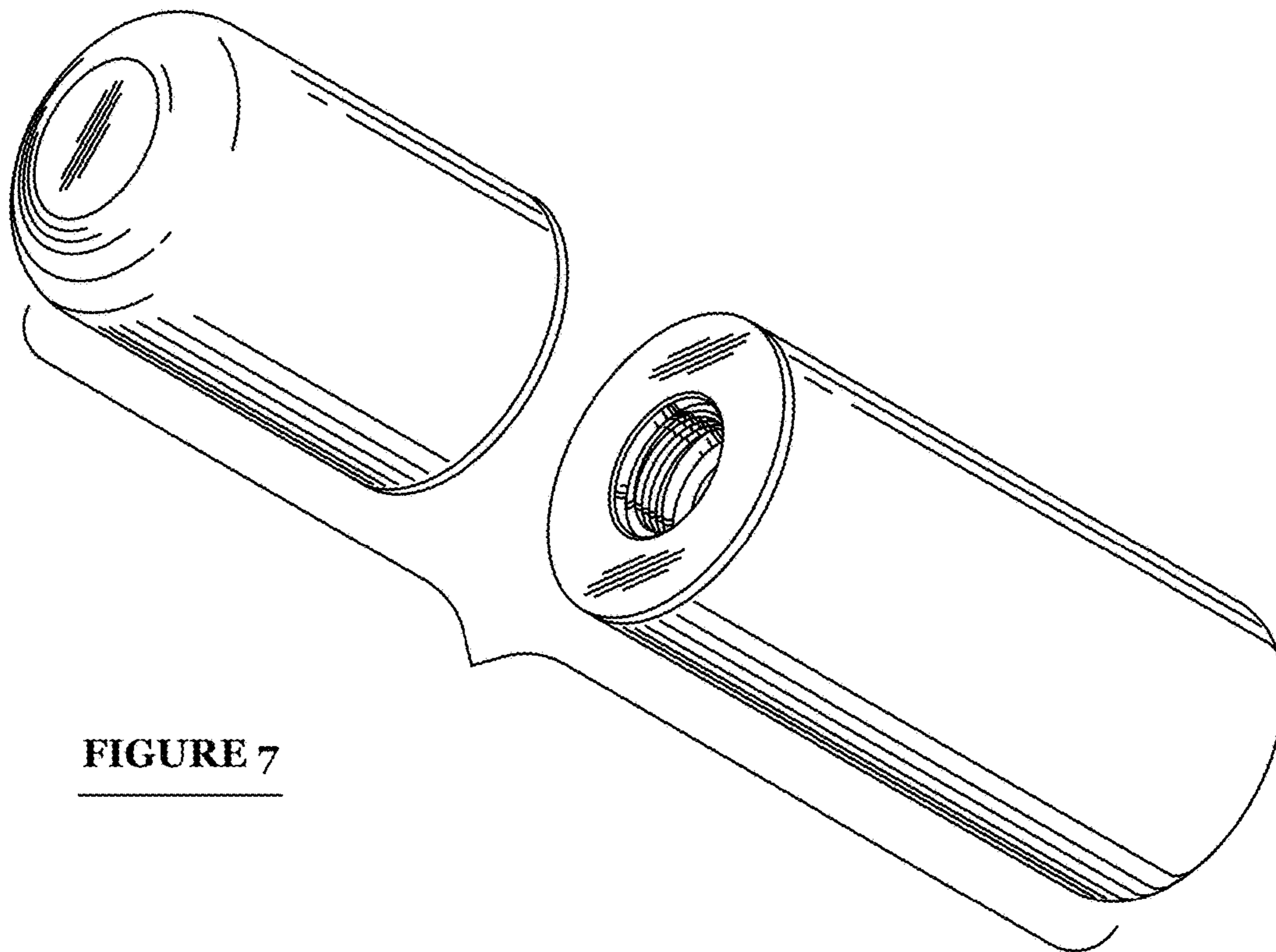


FIGURE 7

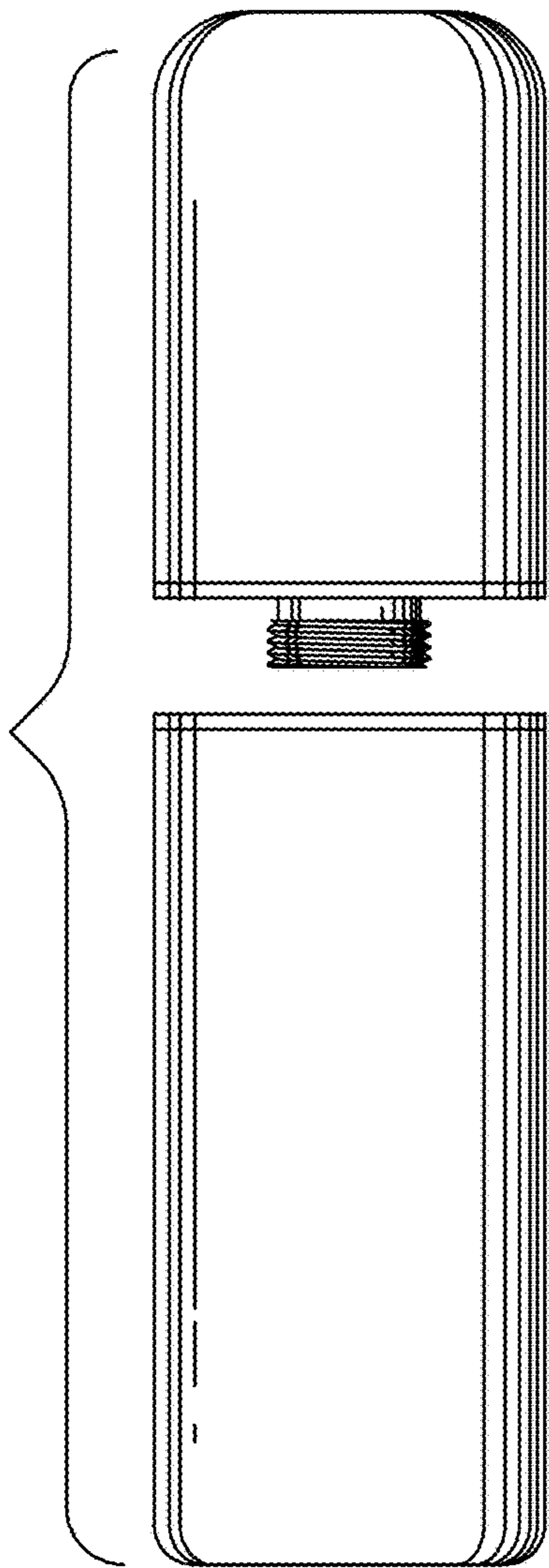


FIGURE 8

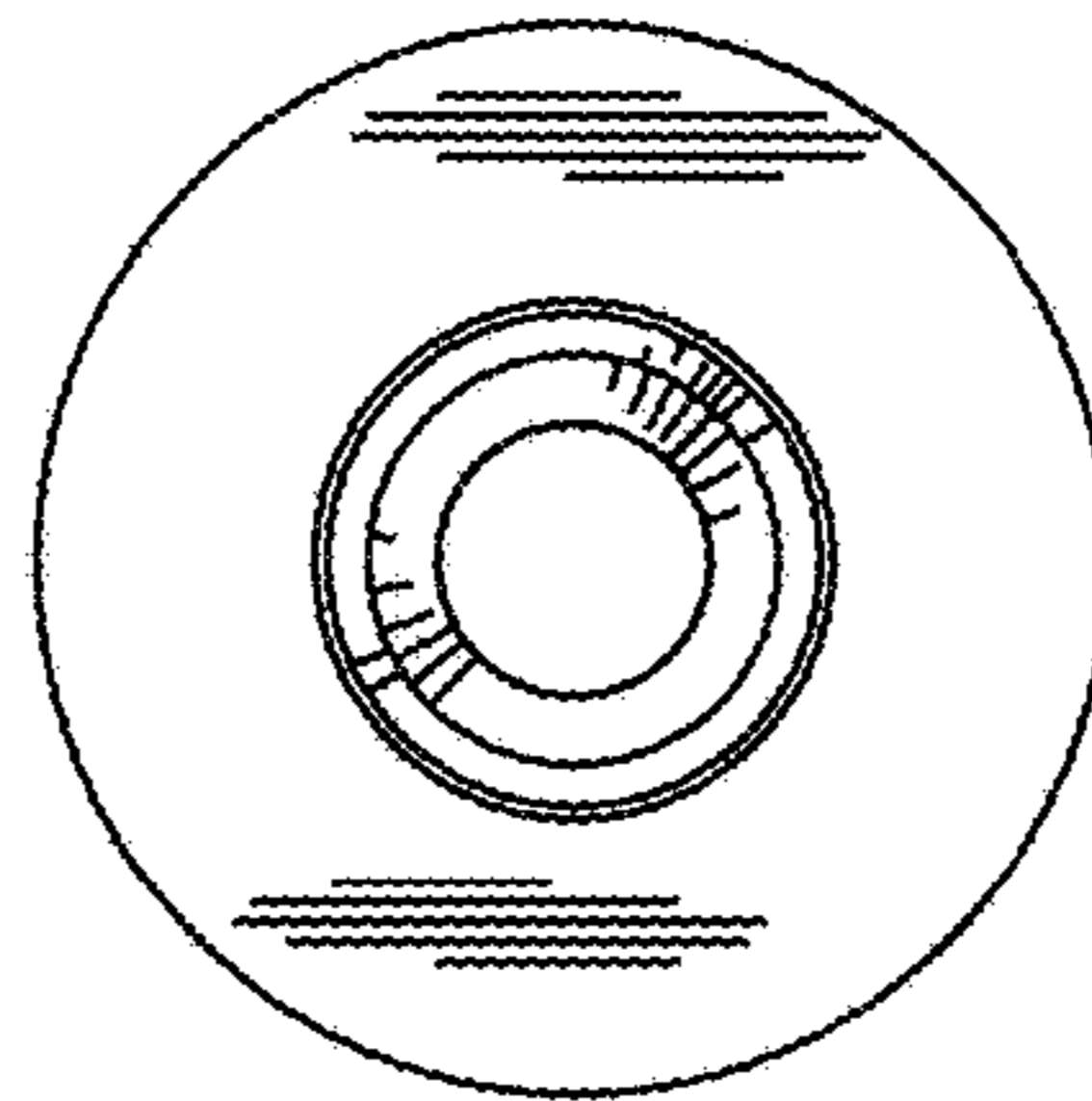


FIGURE 9

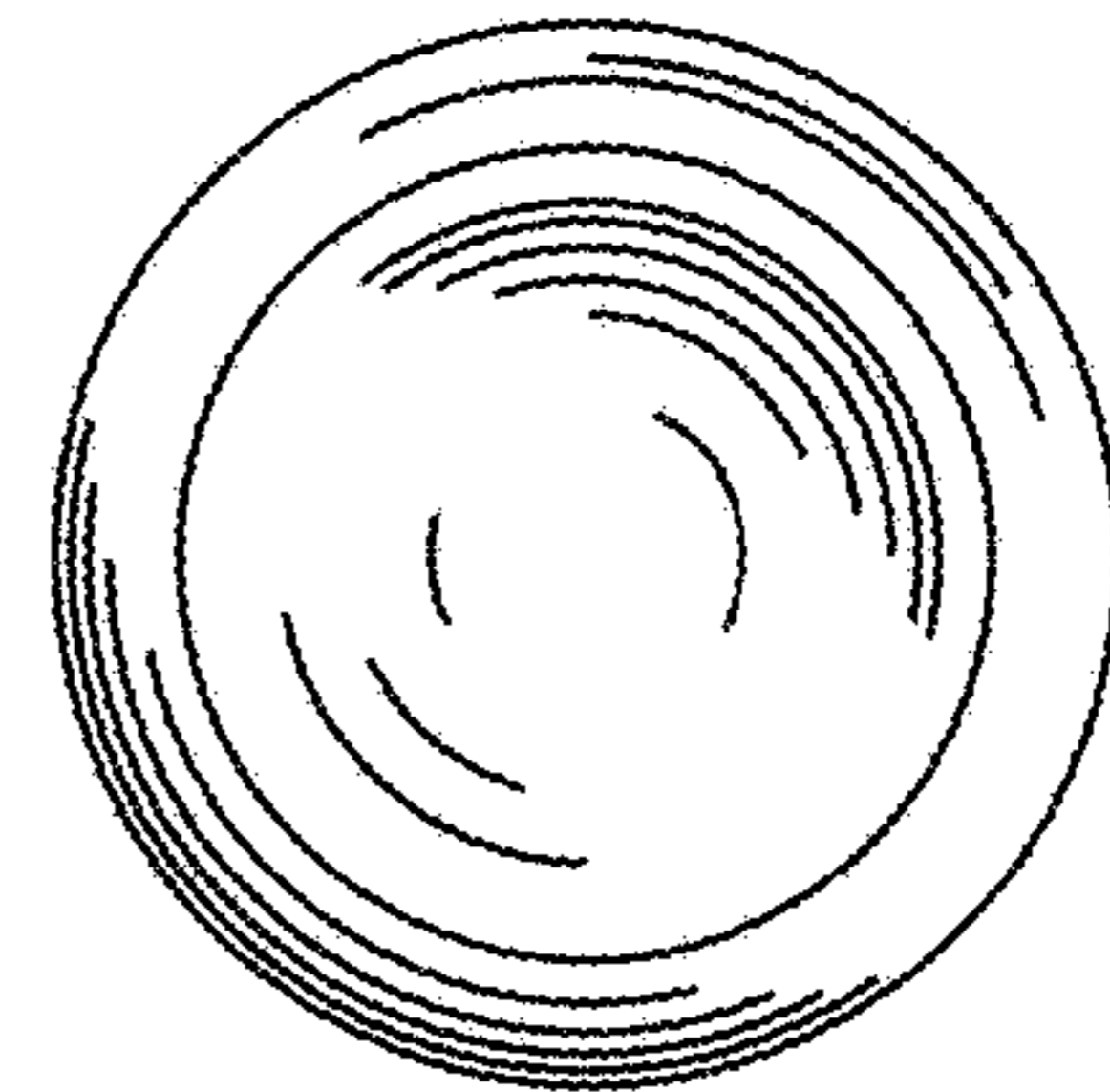


FIGURE 11

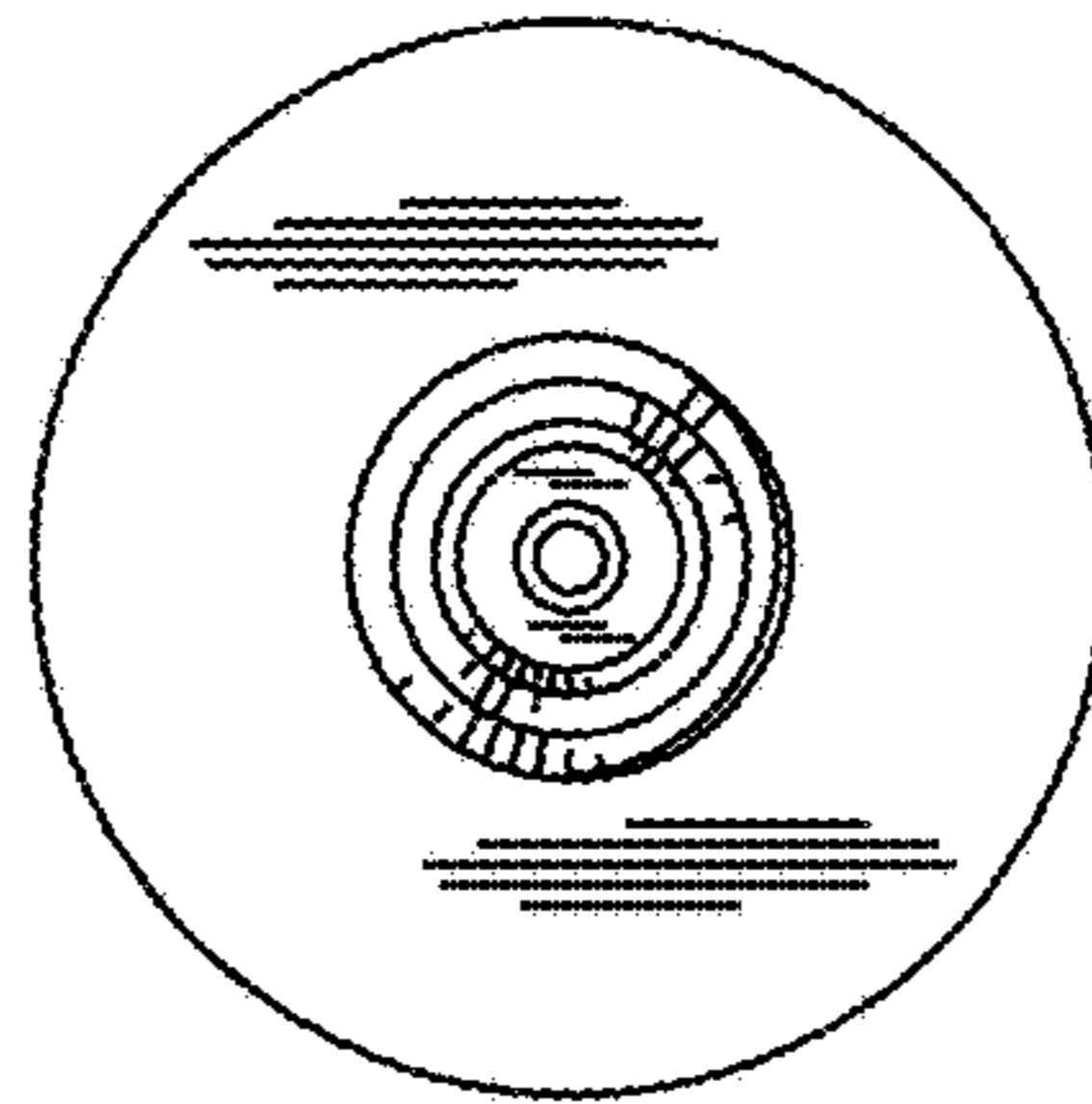


FIGURE 10

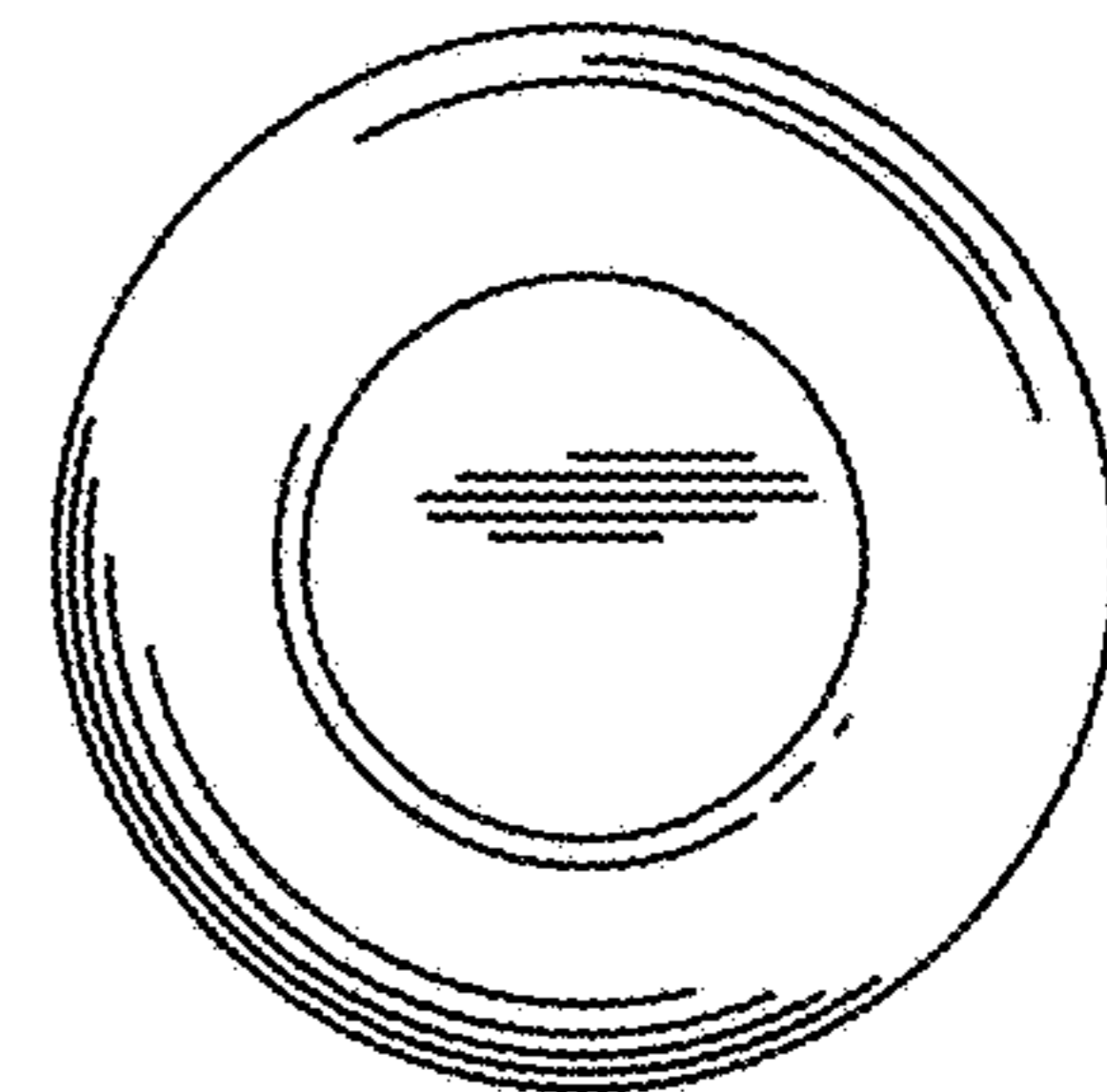


FIGURE 12