



US00D821596S

(12) **United States Design Patent**
Ito et al.

(10) **Patent No.:** **US D821,596 S**
(45) **Date of Patent:** **** Jun. 26, 2018**

- (54) **PAD**
- (71) Applicant: **OMRON HEALTHCARE Co., Ltd.**,
Muko-shi, Kyoto (JP)
- (72) Inventors: **Tamaki Ito**, Muko (JP); **Tsuyoshi Ogihara**, Muko (JP); **Takashi Shigeno**, Tokyo (JP); **Kazuya Andachi**, Tokyo (JP)
- (73) Assignee: **OMRON HEALTHCARE Co., Ltd.** (JP)
- (**) Term: **15 Years**
- (21) Appl. No.: **29/596,921**
- (22) Filed: **Mar. 13, 2017**
- (30) **Foreign Application Priority Data**

Nov. 28, 2016 (JP) 2016-025737

- (51) **LOC (11) Cl.** **28-03**
- (52) **U.S. Cl.**
USPC **D24/200**
- (58) **Field of Classification Search**
USPC D24/171, 185, 186, 187, 188, 200, 201,
D24/206, 207, 209, 215; D29/101.3,
D29/101.5; D3/205, 299; D21/683;
128/95.1, 96.1, 99.1, 845, 846, 112.1;
602/2, 5, 6, 41; 607/1, 48
CPC ... A61N 1/04; A61N 1/06; A61N 1/18; A61N
1/26; A61N 1/36; A61N 1/0424; A61N
1/0484; A61N 1/0456; A61N 1/0452;
A61N 1/0476; A61N 1/36014; A61B
5/00; A61B 5/02; A61B 5/0006; A61H
23/00; A61H 23/006; A61H 2205/00;
A61H 2205/084; A61H 1/00; A61H
2001/0233

See application file for complete search history.

(56) **References Cited**

U.S. PATENT DOCUMENTS

D394,906 S 6/1998 Lange et al.
D412,751 S 8/1999 Davis et al.

D413,168 S 8/1999 Davis et al.
D484,984 S * 1/2004 Takizawa D24/189
7,069,089 B2 6/2006 Minogue et al.
D534,871 S * 1/2007 Larsen D13/162
D566,288 S 4/2008 Chuang
D584,414 S * 1/2009 Lash D24/187
D625,016 S * 10/2010 Potts D24/155
D626,244 S 10/2010 Sagnip et al.
8,086,318 B2 12/2011 Strother et al.
D704,848 S * 5/2014 Thomas D24/200
D712,052 S * 8/2014 Thomas D24/200
D713,049 S * 9/2014 Shah D24/200
D745,975 S * 12/2015 Igaue D24/206

(Continued)

OTHER PUBLICATIONS

Aleve Direct Therapy; Retrieved from www.aleve.com; Retrieved on Apr. 9, 2018; <https://www.aleve.com/aleve-direct-therapy/>; Apr. 2016 (Year: 2016).*

Primary Examiner — Wan Laymon

Assistant Examiner — Clint A Samuel

(74) *Attorney, Agent, or Firm* — Saidman DesignLaw Group, LLC

(57) **CLAIM**

The ornamental design for a pad, as shown and described.

DESCRIPTION

FIG. 1 is a perspective view of a pad showing our new design;

FIG. 2 is a front view thereof;

FIG. 3 is a rear view thereof;

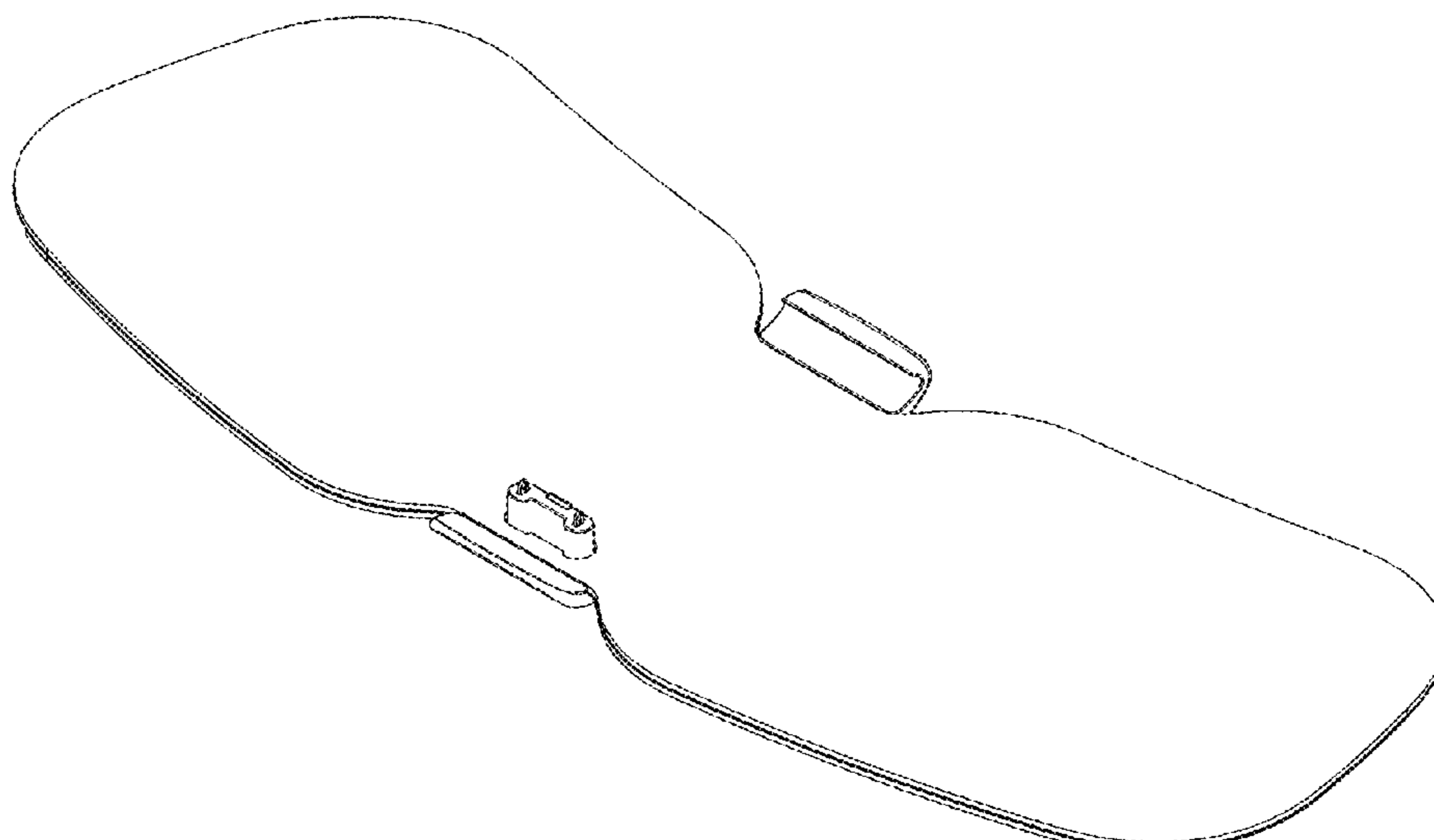
FIG. 4 is a top view thereof;

FIG. 5 is a bottom view thereof;

FIG. 6 is a left side view thereof; and,

FIG. 7 is a right side view thereof.

1 Claim, 5 Drawing Sheets



(56)

References Cited

U.S. PATENT DOCUMENTS

9,283,371	B2	3/2016	Duncan	
D754,355	S	4/2016	Ganapathy et al.	
D775,361	S *	12/2016	Vosch	D24/187
D798,170	S *	9/2017	Toth	D10/65
D810,311	S *	2/2018	Chen	D24/200
D810,952	S *	2/2018	Hsu	D24/200
2010/0305669	A1	12/2010	Sasaki	
2013/0197341	A1 *	8/2013	Grob	A61N 1/0472
				600/391
2013/0317333	A1 *	11/2013	Yang	A61B 5/00
				600/372
2014/0206976	A1 *	7/2014	Thompson	A61B 5/0006
				600/391
2015/0238094	A1 *	8/2015	Lai	A61B 5/0002
				600/301
2016/0008597	A1	1/2016	Chen	
2017/0188872	A1 *	7/2017	Hughes	A61B 5/04087
2017/0209693	A1 *	7/2017	An	A61N 1/36014
2017/0224990	A1 *	8/2017	Goldwasser	A61N 1/36025
2017/0368345	A1 *	12/2017	Kong	A61N 1/0456

* cited by examiner

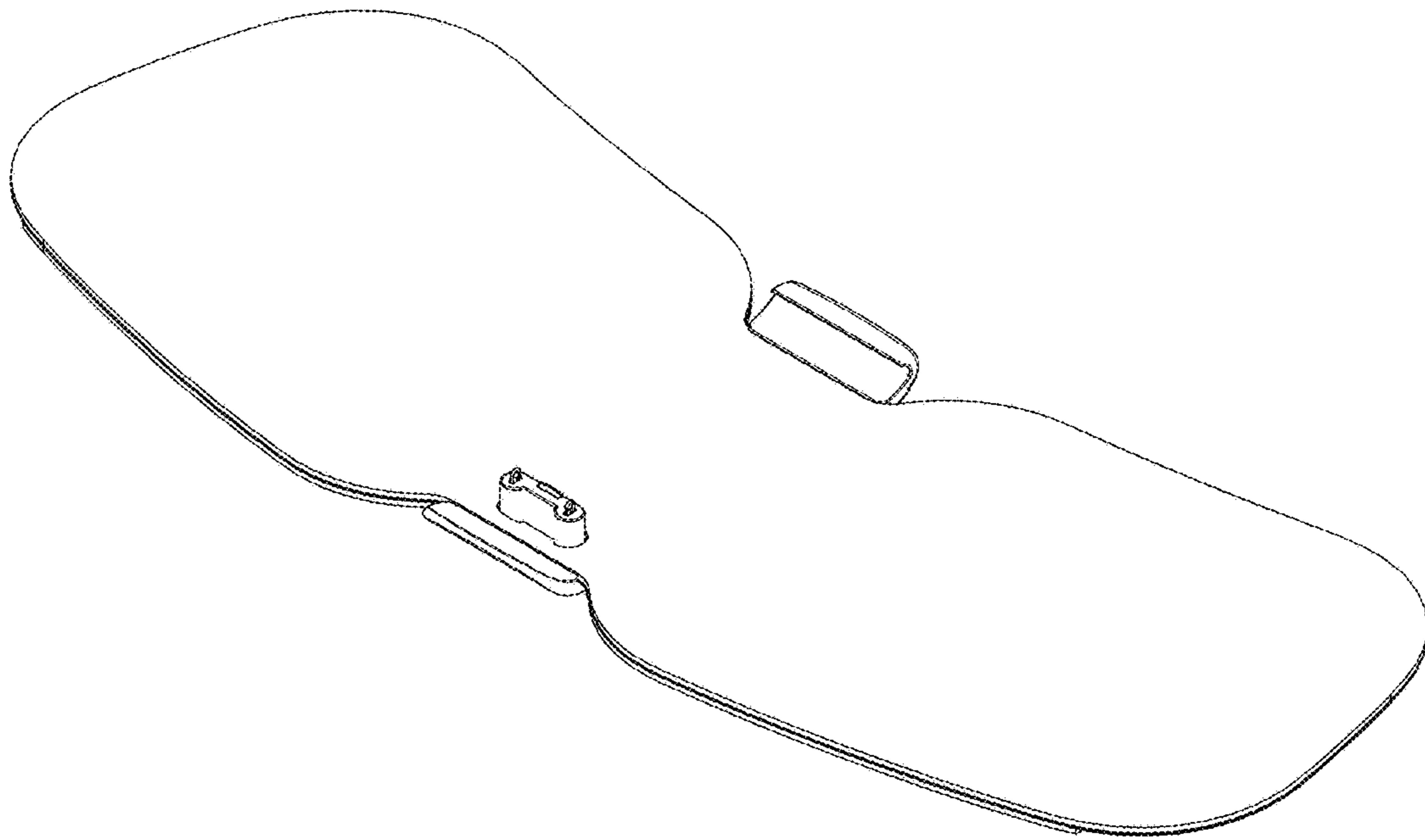


FIG. 1

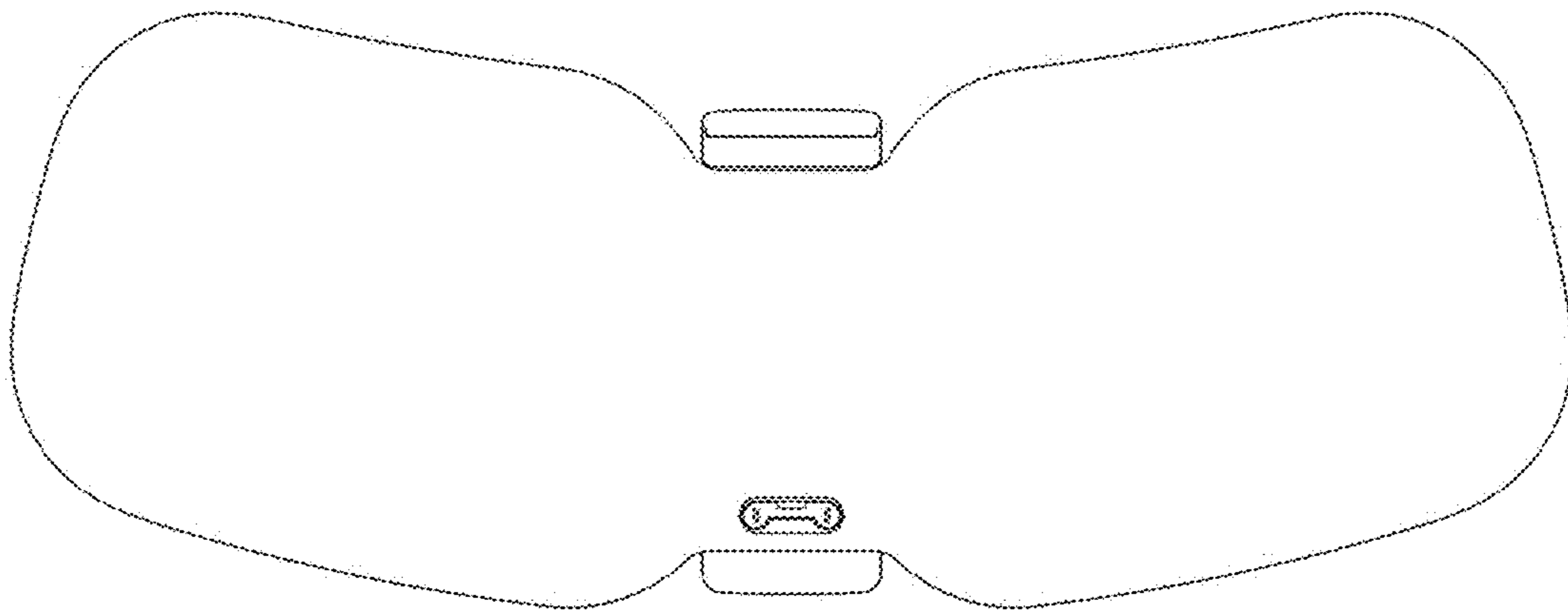


FIG. 2

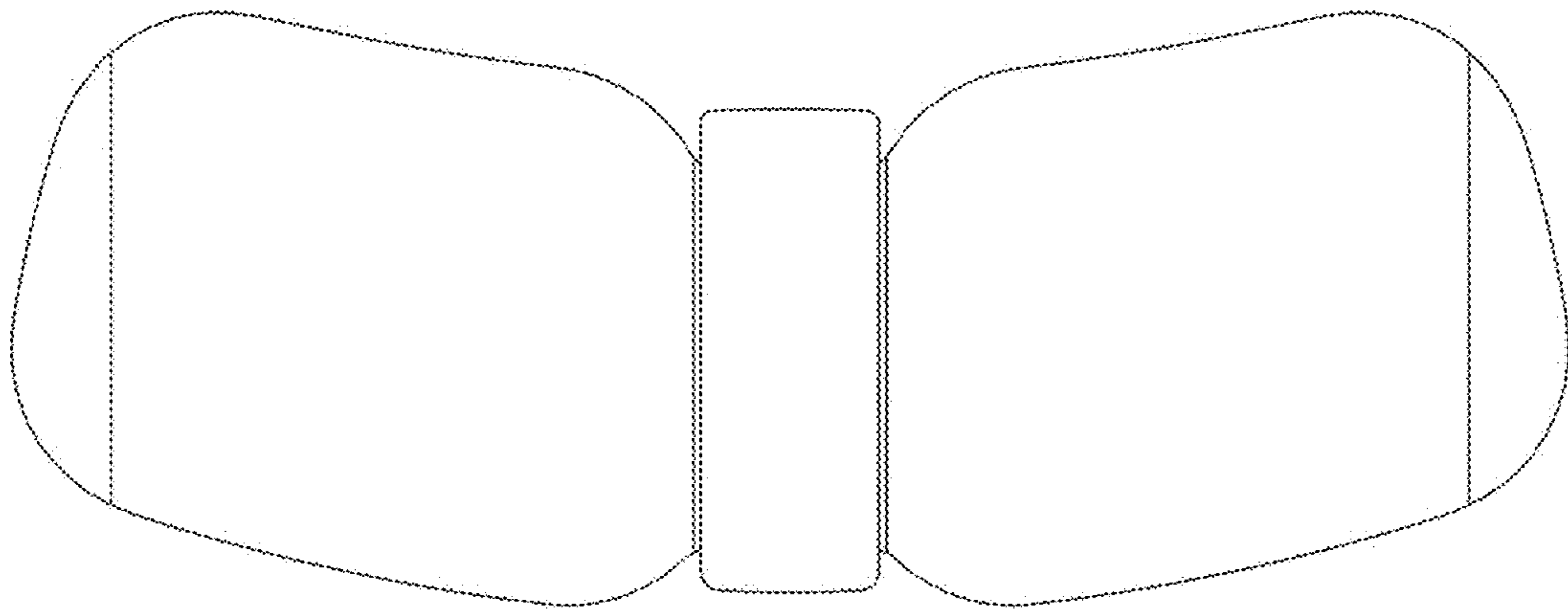


FIG. 3



FIG. 4

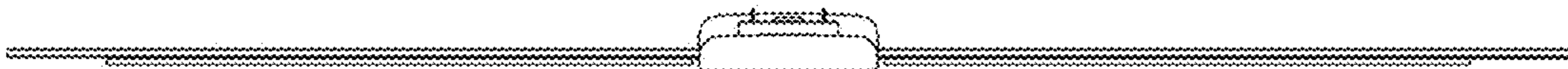


FIG. 5

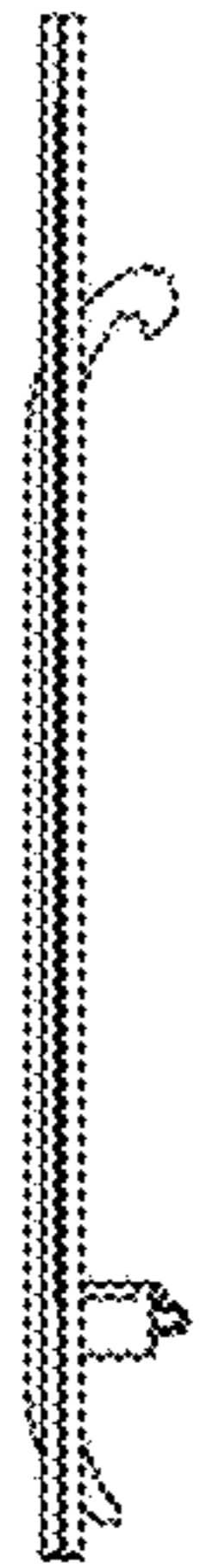


FIG. 6



FIG. 7