

US00D821592S

(12) **United States Design Patent** (10) **Patent No.:** **US D821,592 S**  
**Pham et al.** (45) **Date of Patent:** **\*\* Jun. 26, 2018**

(54) **NERVE STIMULATOR**  
 (71) Applicant: **Avent, Inc.**, Alpharetta, GA (US)  
 (72) Inventors: **Bao-Tram N. Pham**, Irvine, CA (US);  
**Joseph A. Cesa**, Cumming, GA (US)  
 (73) Assignee: **Avent, Inc.**, Alpharetta, GA (US)  
 (\*\*) Term: **15 Years**  
 (21) Appl. No.: **29/576,012**

D676,136 S \* 2/2013 Arimitsu ..... D24/186  
 D676,142 S \* 2/2013 Chen ..... D24/215  
 D696,404 S \* 12/2013 Golnik ..... D24/169  
 D721,437 S \* 1/2015 Oka ..... D24/169  
 D724,223 S \* 3/2015 Nishiyama ..... D24/169  
 D739,035 S \* 9/2015 Tavidian ..... D24/200  
 D747,489 S \* 1/2016 Ahlstrom ..... D24/169  
 D748,273 S \* 1/2016 Chang ..... D24/186  
 D757,273 S \* 5/2016 Nelson ..... D10/81  
 D759,262 S \* 6/2016 Chen ..... D24/215  
 D768,866 S \* 10/2016 Shigeno ..... D24/215  
 D787,067 S \* 5/2017 Wightman ..... D24/169  
 D787,508 S \* 5/2017 Takiguchi ..... D14/341

(Continued)

(22) Filed: **Aug. 31, 2016**  
 (51) **LOC (11) Cl.** ..... **28-03**  
 (52) **U.S. Cl.**  
 USPC ..... **D24/200**  
 (58) **Field of Classification Search**  
 USPC ..... D24/107, 133, 168, 169, 186, 187, 200,  
 D24/215, 232, 341; D10/46, 49, 104.1;  
 D14/217, 218, 401, 489, 492; D21/333  
 CPC ... A61N 1/00; A61N 1/04; A61N 1/06; A61N  
 1/20; A61N 1/36; A61N 1/0404; A61N  
 1/30614; A61N 1/36003; A61N 1/36007;  
 A61N 1/36021; A61N 1/36057; A61N  
 1/3605; A61H 2201/0207; A61H  
 2201/1053; A61H 1/00; A61H 7/00;  
 A61H 39/002; A61B 5/4893; A61B  
 5/4041; G06F 3/015  
 See application file for complete search history.

*Primary Examiner* — Wan Laymon  
*Assistant Examiner* — Clint A Samuel  
 (74) *Attorney, Agent, or Firm* — Dority & Manning, P.A.

(57) **CLAIM**

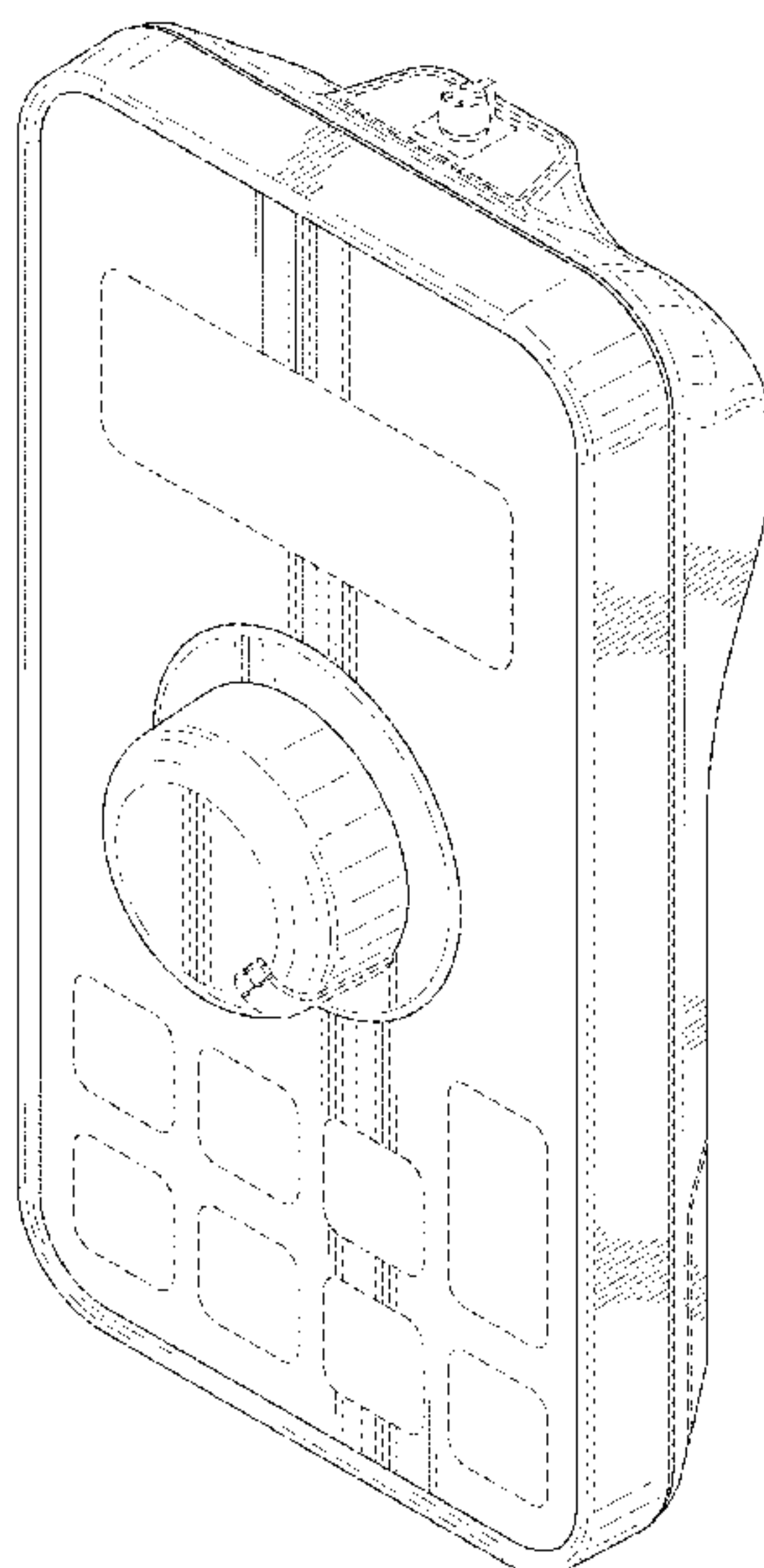
The ornamental design for a nerve stimulator, as shown and described.

**DESCRIPTION**

FIG. 1 is a perspective view of a nerve stimulator according to the present design;  
 FIG. 2 is a front view of the nerve stimulator of FIG. 1;  
 FIG. 3 is a right side view of the nerve stimulator of FIG. 1;  
 FIG. 4 is a rear view of the nerve stimulator of FIG. 1;  
 FIG. 5 is a left side view of the nerve stimulator of FIG. 1;  
 FIG. 6 is a top view of the nerve stimulator of FIG. 1; and,  
 FIG. 7 is a bottom view of the nerve stimulator of FIG. 1.  
 The broken lines in the figures represent unclaimed environmental subject matter illustrating the design in use and form no part of the claimed design. For example, the nerve stimulator's display and buttons present on the display are included for the purpose of illustrating environmental aspects of the nerve stimulator and form no part of the claimed design.

(56) **References Cited**  
 U.S. PATENT DOCUMENTS  
 D323,561 S \* 1/1992 Bartelt ..... D24/200  
 D498,302 S \* 11/2004 Wade ..... D24/200  
 D547,454 S \* 7/2007 Hsieh ..... D24/186  
 D562,985 S \* 2/2008 Brefka ..... D24/186  
 D591,182 S \* 4/2009 Schoenherr ..... D10/49  
 D634,430 S \* 3/2011 Osiecki ..... D24/165

**1 Claim, 5 Drawing Sheets**



(56)

**References Cited**

U.S. PATENT DOCUMENTS

D787,510 S \* 5/2017 Kitade ..... D14/341  
D804,033 S \* 11/2017 Wightman ..... D24/169  
2012/0209340 A1\* 8/2012 Escibano ..... A61N 1/0456  
607/3

\* cited by examiner

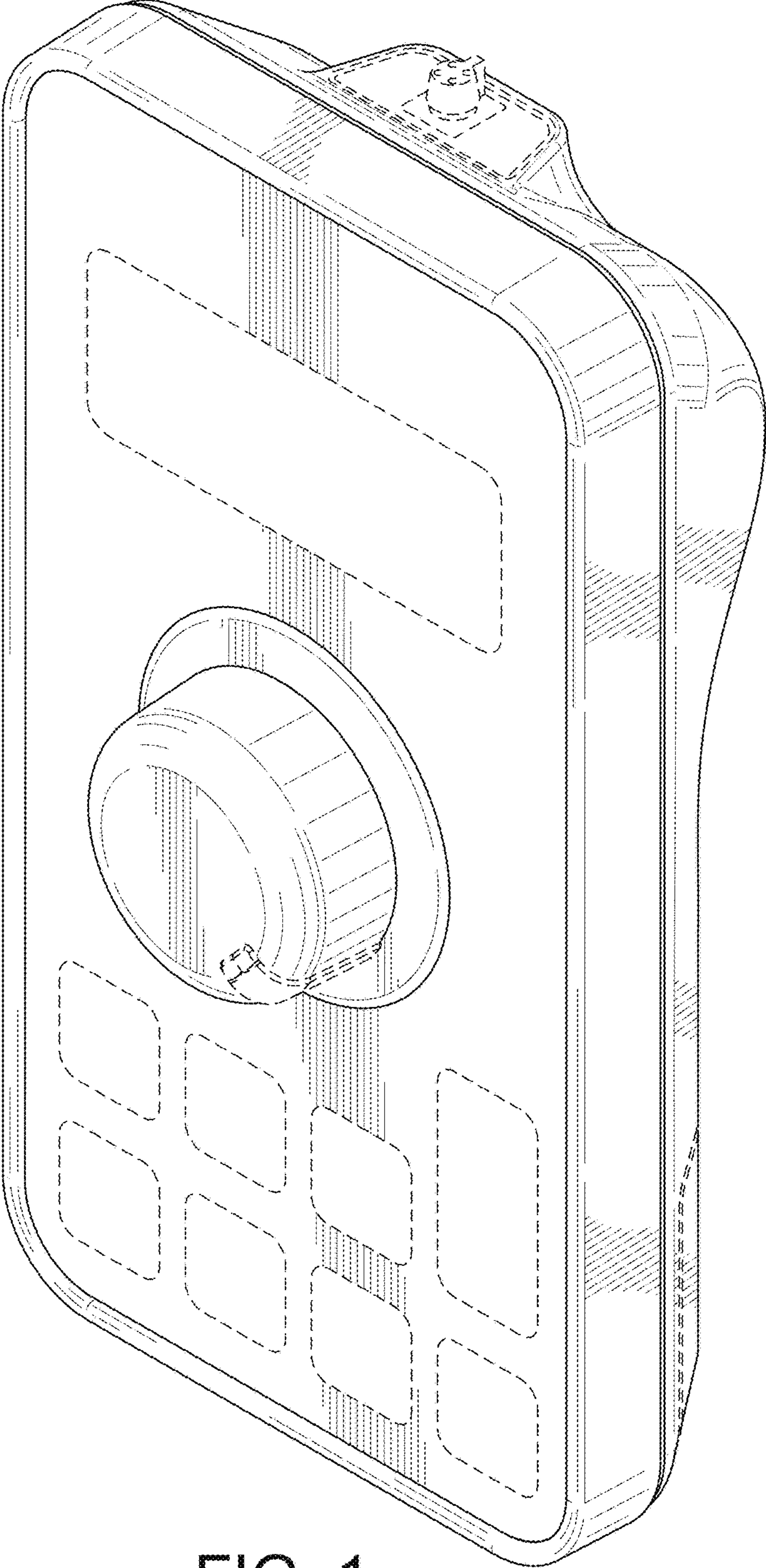


FIG. 1



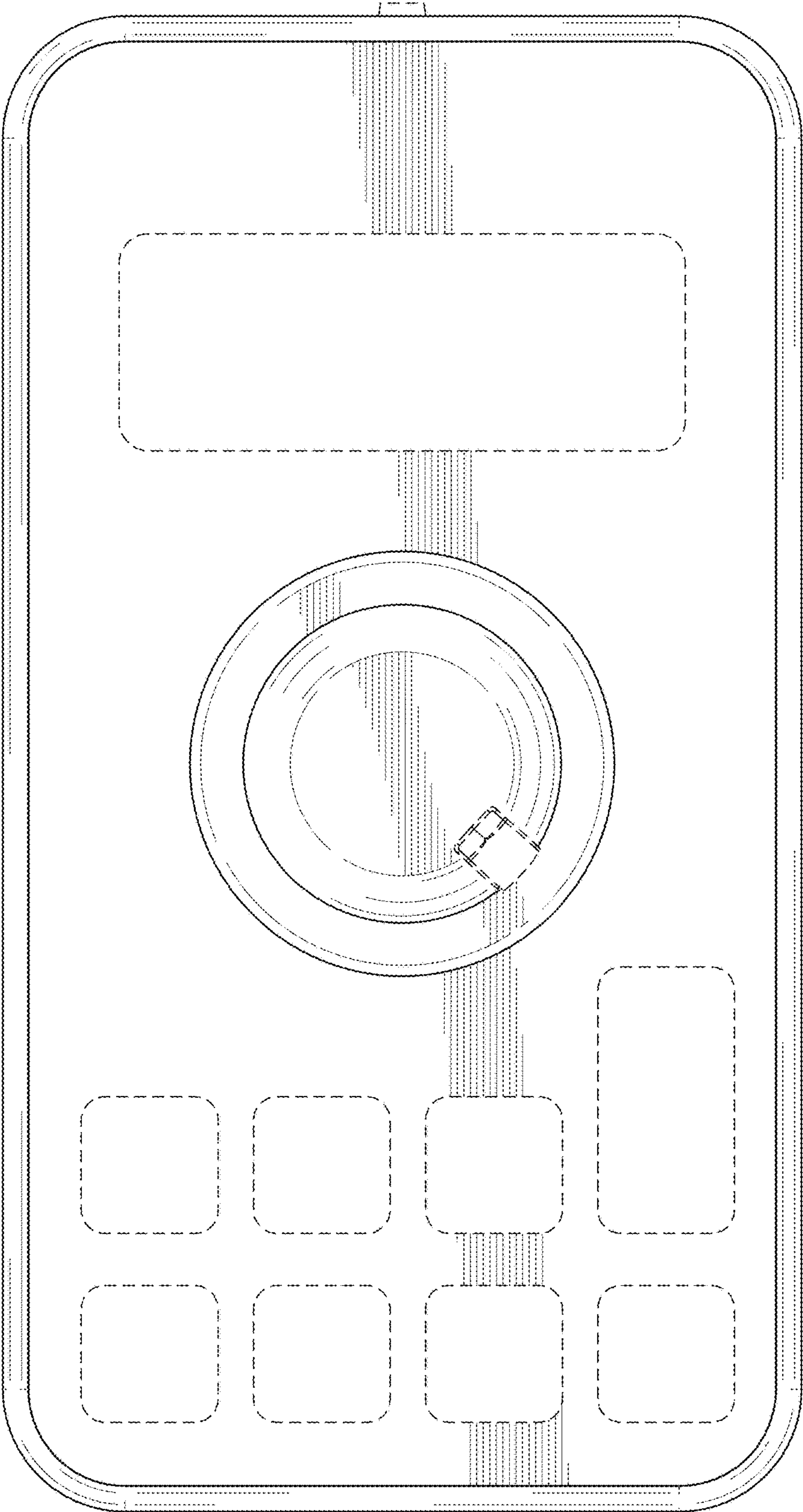


FIG. 2

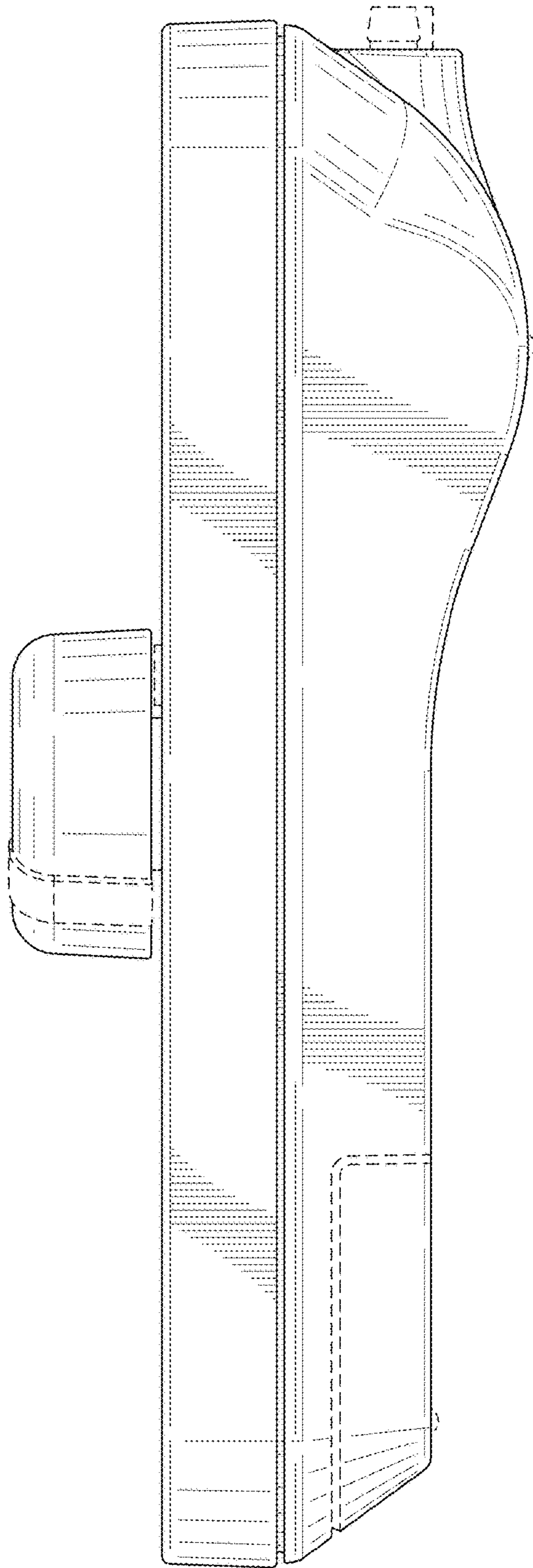


FIG. 3

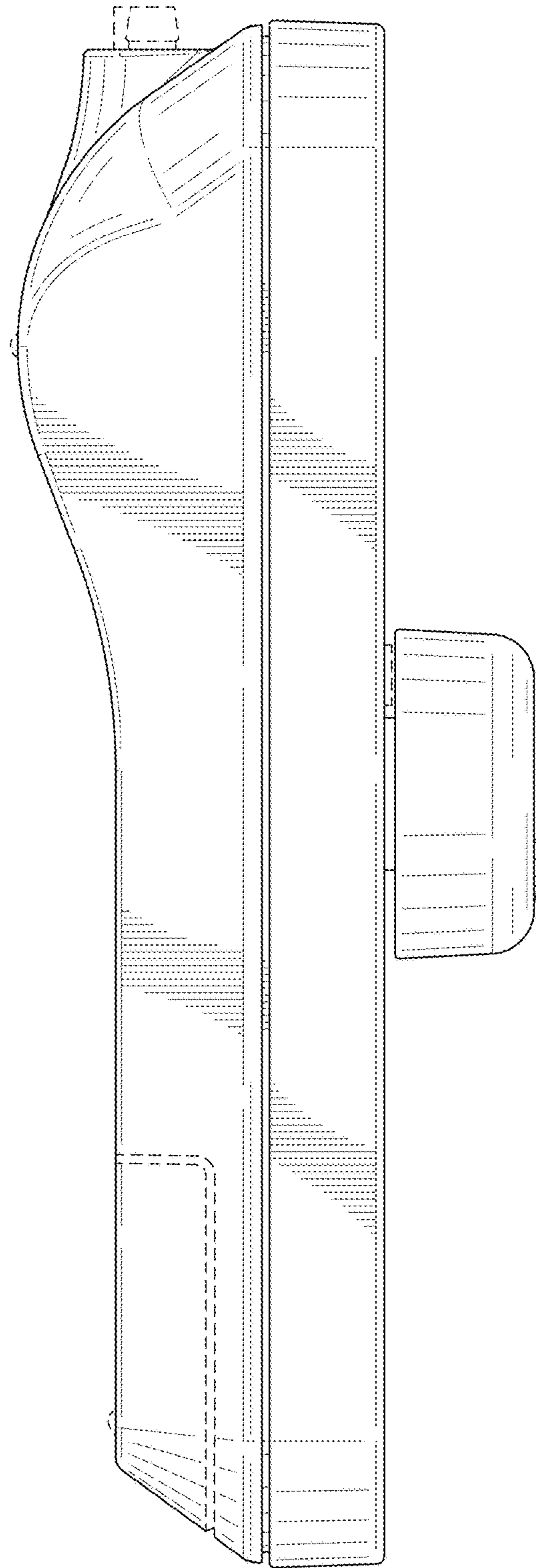


FIG. 5

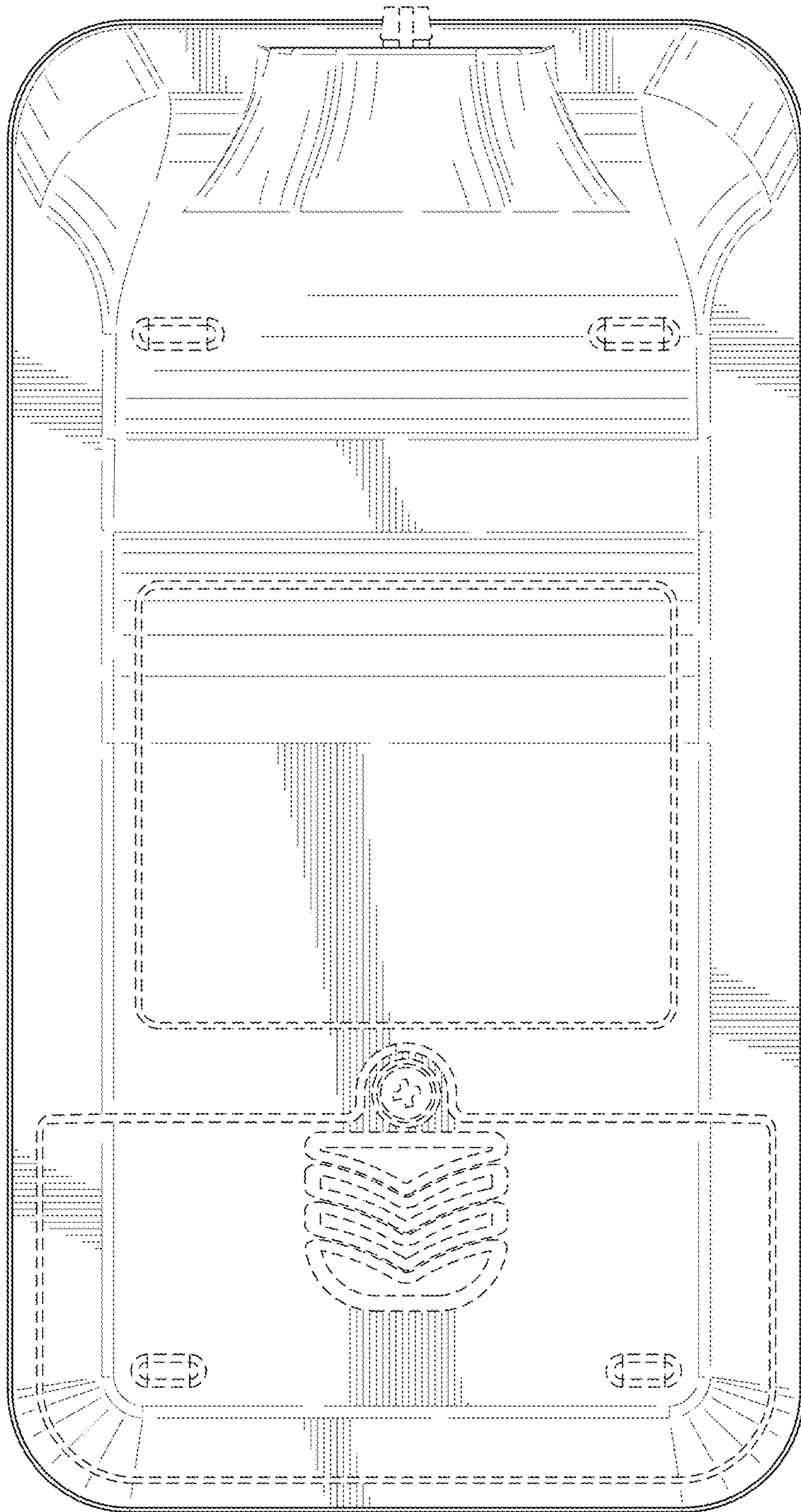


FIG. 4

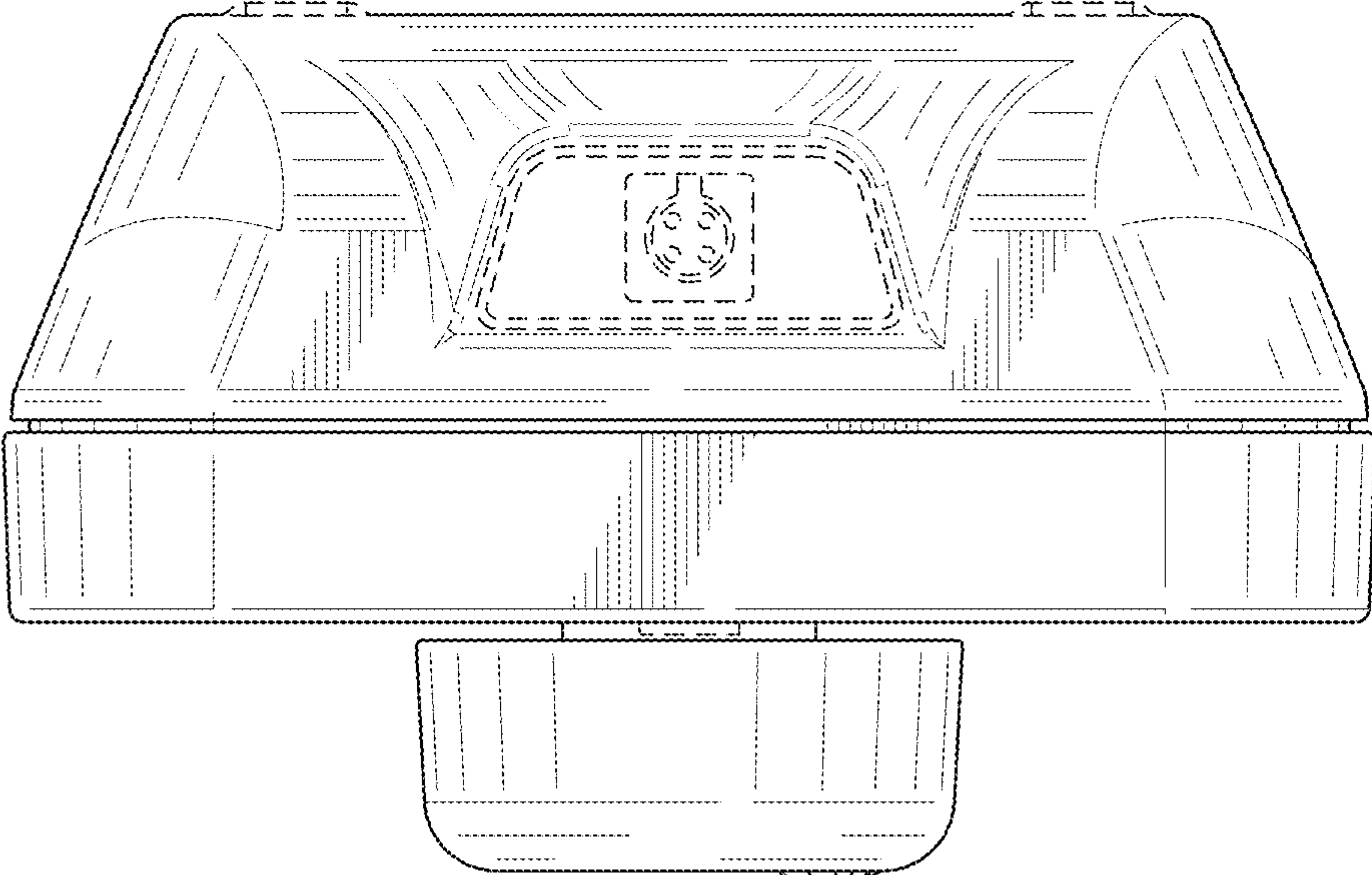


FIG. 6

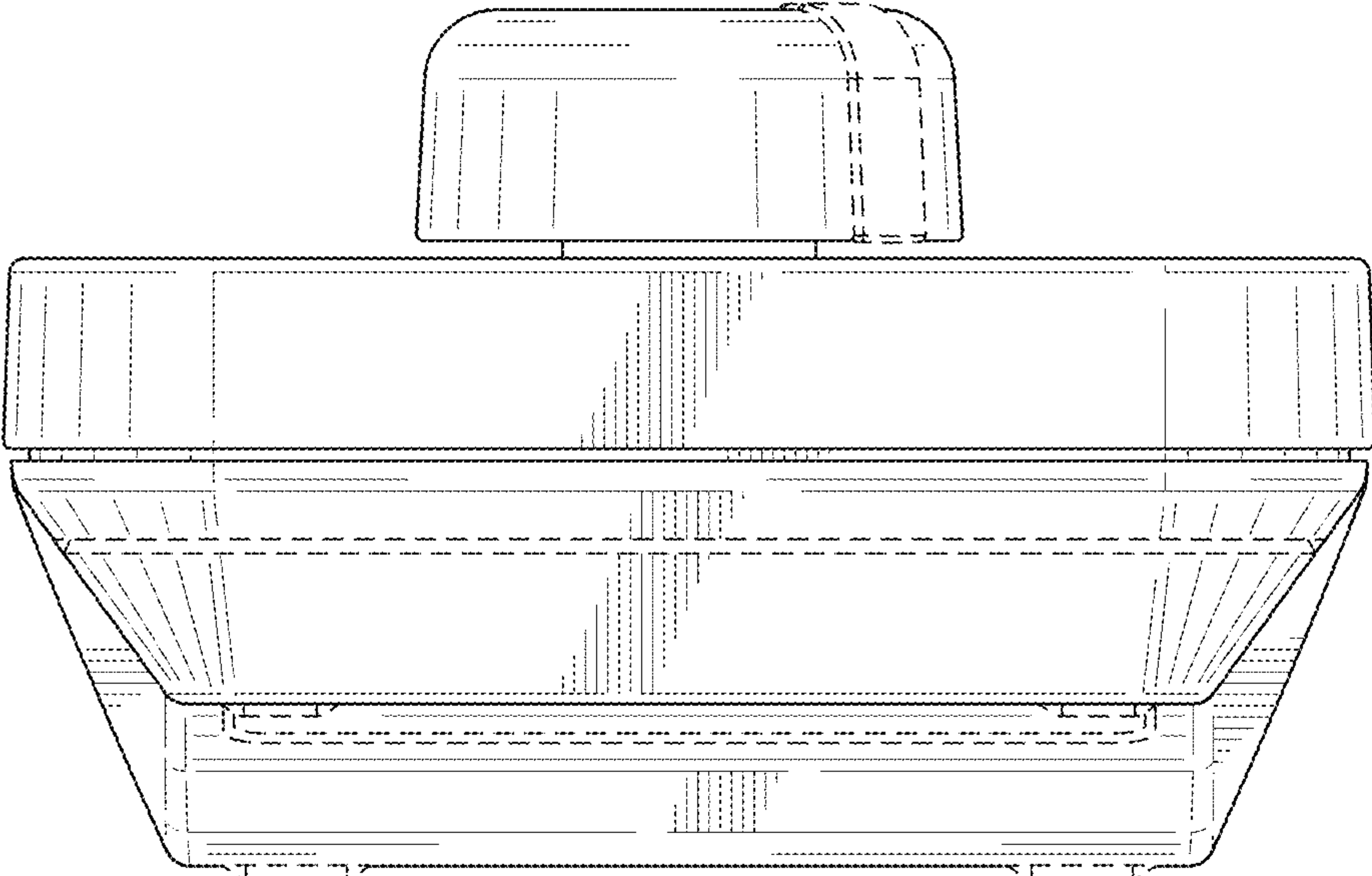


FIG. 7