

US00D821591S

(12) **United States Design Patent**
Smith et al.

(10) **Patent No.:** **US D821,591 S**
(45) **Date of Patent:** **** Jun. 26, 2018**

- (54) **BABY BOTTLE**
- (71) Applicant: **TOMY INTERNATIONAL, INC.**,
Dyersville, IA (US)
- (72) Inventors: **Collin Smith**, Gilbert, AZ (US); **Casey L. Moore**, Mesa, AZ (US); **Kathryn Wozniak**, Scottsdale, AZ (US); **Leda Belden**, Chandler, AZ (US); **Hideo Tone**, Chandler, AZ (US)
- (73) Assignee: **TOMY INTERNATIONAL, INC.**,
Dyersville, IA (US)
- (**) Term: **15 Years**
- (21) Appl. No.: **29/622,283**
- (22) Filed: **Oct. 16, 2017**
- (51) **LOC (11) Cl.** **07-01**
- (52) **U.S. Cl.**
USPC **D24/197**
- (58) **Field of Classification Search**
USPC D24/193, 194, 195, 196, 197, 198, 199,
D24/207; D7/392, 510, 511, 517, 539,
D7/619.2; D9/516, 530, 719, 761
CPC A61J 9/00; A61J 9/008
See application file for complete search history.

(56) **References Cited**

U.S. PATENT DOCUMENTS

D393,315 S *	4/1998	Crisi	D24/197
D470,593 S *	2/2003	Iodice	D9/535
D564,665 S *	3/2008	Kim	D24/193
D585,558 S *	1/2009	Feeley	D24/199
D609,355 S *	2/2010	Strickler	D24/197
D650,233 S *	12/2011	Roehrig	D7/510
D666,731 S *	9/2012	Mustecaplioğlu	D24/197
D696,410 S *	12/2013	Tollman	D24/197
D752,765 S *	3/2016	Taylor	D24/197

(Continued)

OTHER PUBLICATIONS

“Boon Nursh Silicone Pouch Bottle”. Found online Apr. 12, 2018 at amazon.ca. Page dated Apr. 2, 2018. Retrieved from https://www.amazon.ca/Boon-Nursh-Silicone-Pouch-Bottle/dp/B07BL7ZXW9/ref=sr_1_112?ie=UTF8&qid=1523552076&sr=8-112&keywords=boon.*

amazon.ca/Boon-Nursh-Silicone-Pouch-Bottle/dp/B07BL7ZXW9/ref=sr_1_112?ie=UTF8&qid=1523552076&sr=8-112&keywords=boon.*

(Continued)

Primary Examiner — George D. Kirschbaum
Assistant Examiner — Kendra Leslie Hamilton
(74) *Attorney, Agent, or Firm* — Lando & Anastasi, LLP

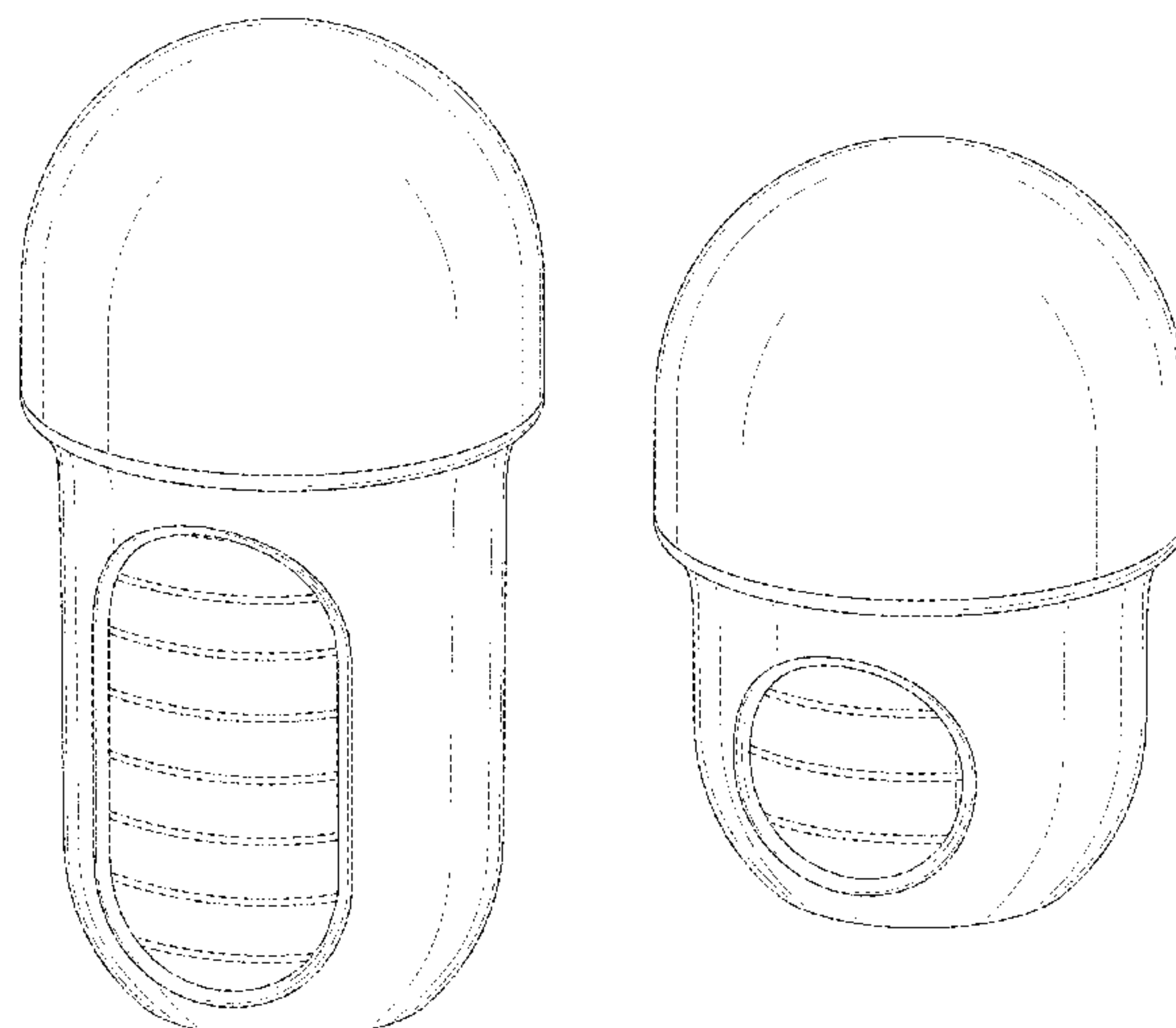
(57) **CLAIM**

The ornamental design for a baby bottle, as shown and described.

DESCRIPTION

FIG. 1 is a top-front perspective view of a first embodiment of a baby bottle, showing our new design;
 FIG. 2 is a top-front perspective view thereof, shown exploded for clarity of disclosure.
 FIG. 3 is a front elevational view of the baby bottle of FIG. 1;
 FIG. 4 is a rear elevational view thereof;
 FIG. 5 is a left side view thereof;
 FIG. 6 is a right side view thereof;
 FIG. 7 is a top plan view thereof;
 FIG. 8 is a bottom plan view thereof;
 FIG. 9 is a top-front perspective view of a second embodiment of a baby bottle;
 FIG. 10 is a top-front perspective view thereof, shown exploded for clarity of disclosure.
 FIG. 11 is a front elevational view of the baby bottle of FIG. 1;
 FIG. 12 is a rear elevational view thereof;
 FIG. 13 is a left side view thereof;
 FIG. 14 is a right side view thereof;
 FIG. 15 is a top plan view thereof; and,
 FIG. 16 is a bottom plan view thereof.
 The broken lines depict portions of the baby bottle that form no part of the claimed design.

1 Claim, 16 Drawing Sheets



(56)

References Cited

U.S. PATENT DOCUMENTS

D808,721 S *	1/2018	Soni	D7/510
2006/0213858 A1 *	9/2006	Kraus	A61J 9/00 215/11.1
2015/0290086 A1 *	10/2015	Prentice	A61J 9/04 215/11.5
2016/0089306 A1 *	3/2016	Chee	A61J 9/00 215/11.1

OTHER PUBLICATIONS

“Beaba Bib Secondes Quick Baby Bottle Food Warmer”. Found online Feb. 12, 2018 at amazon.com. Page dated Nov. 28, 2011. Retrieved from https://www.amazon.com/Beaba-Secondes-Quick-Bottle-Warmer/dp/B004WUBNNM/ref=cm_cr_ar_p_d_product_top?ie=UTF8.*

“Comotomo Natural Feel Baby Bottle”. Found online Feb. 12, 2018 at amazon.com. Page dated Feb. 25, 2011. Retrieved from https://www.amazon.com/Comotomo-Natural-Bottle-Green-Ounces/dp/B004C053AQ/ref=cm_cr_ar_p_d_product_top?ie=UTF8&th=1.*

“Boon Modster Short Soft Spout Sippy Cup”. Found online Apr. 12, 2018 at amazon.com. Page dated Jun. 12, 2013. Retrieved from https://www.amazon.com/...-Modster-Orange-Discontinued-Manufacturer/dp/B0046JYEDU/ref=sr_1_28_s_it?s=baby-products&ie=UTF8&qid=1523496044&sr=1-28&keywords=boon.*

* cited by examiner

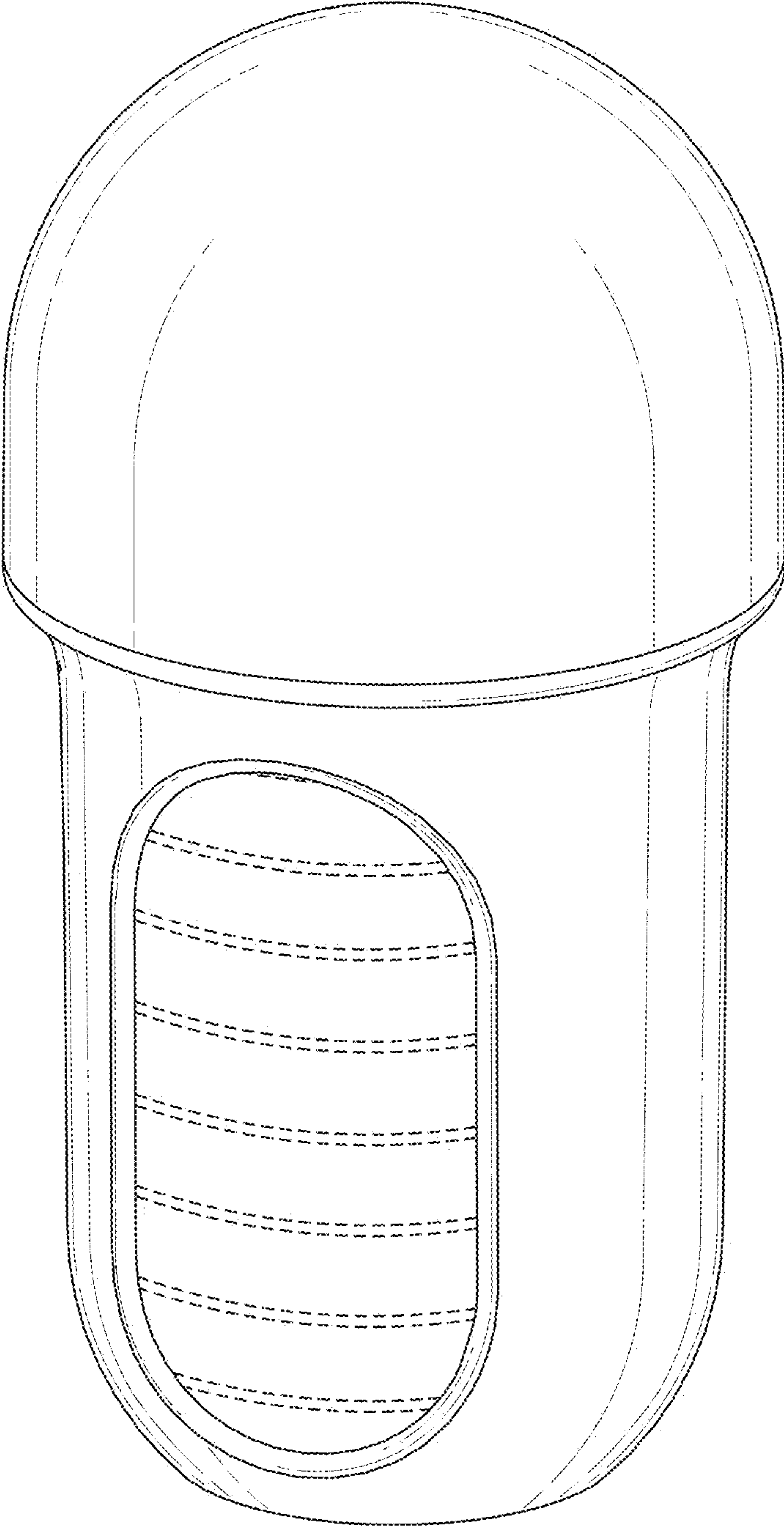


FIG. 1

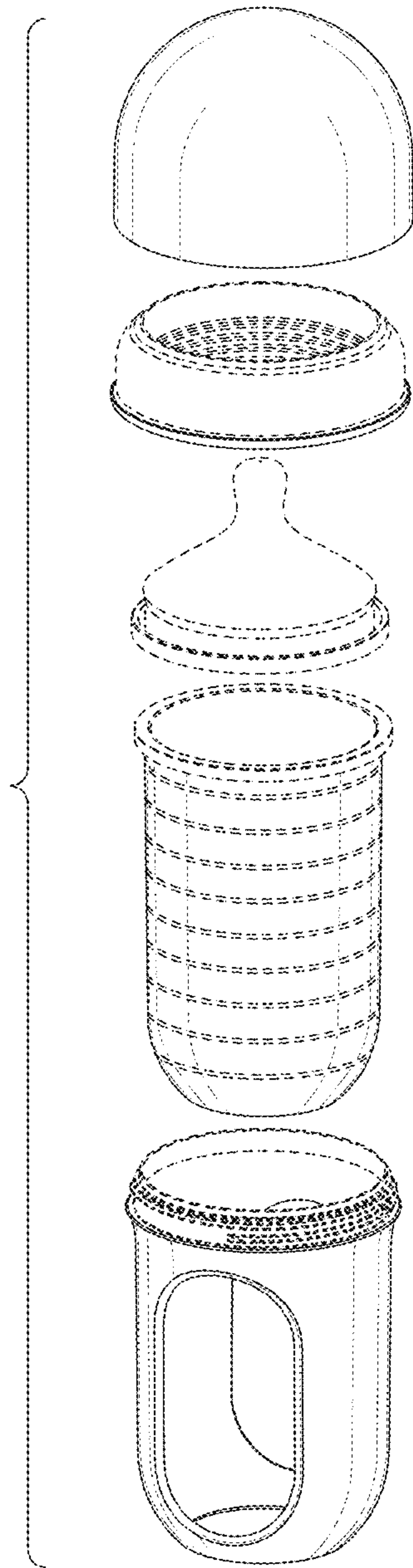


FIG. 2

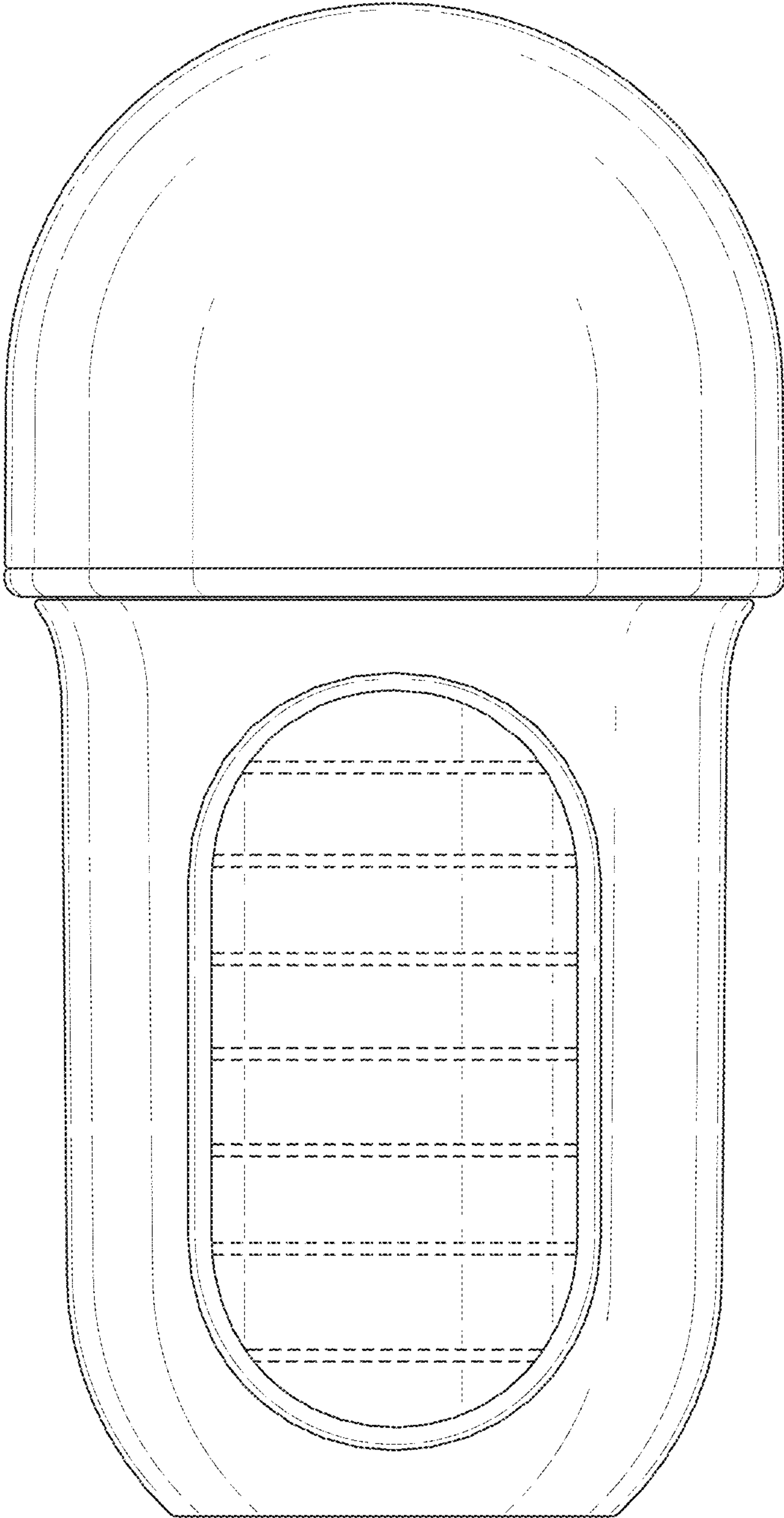


FIG. 3

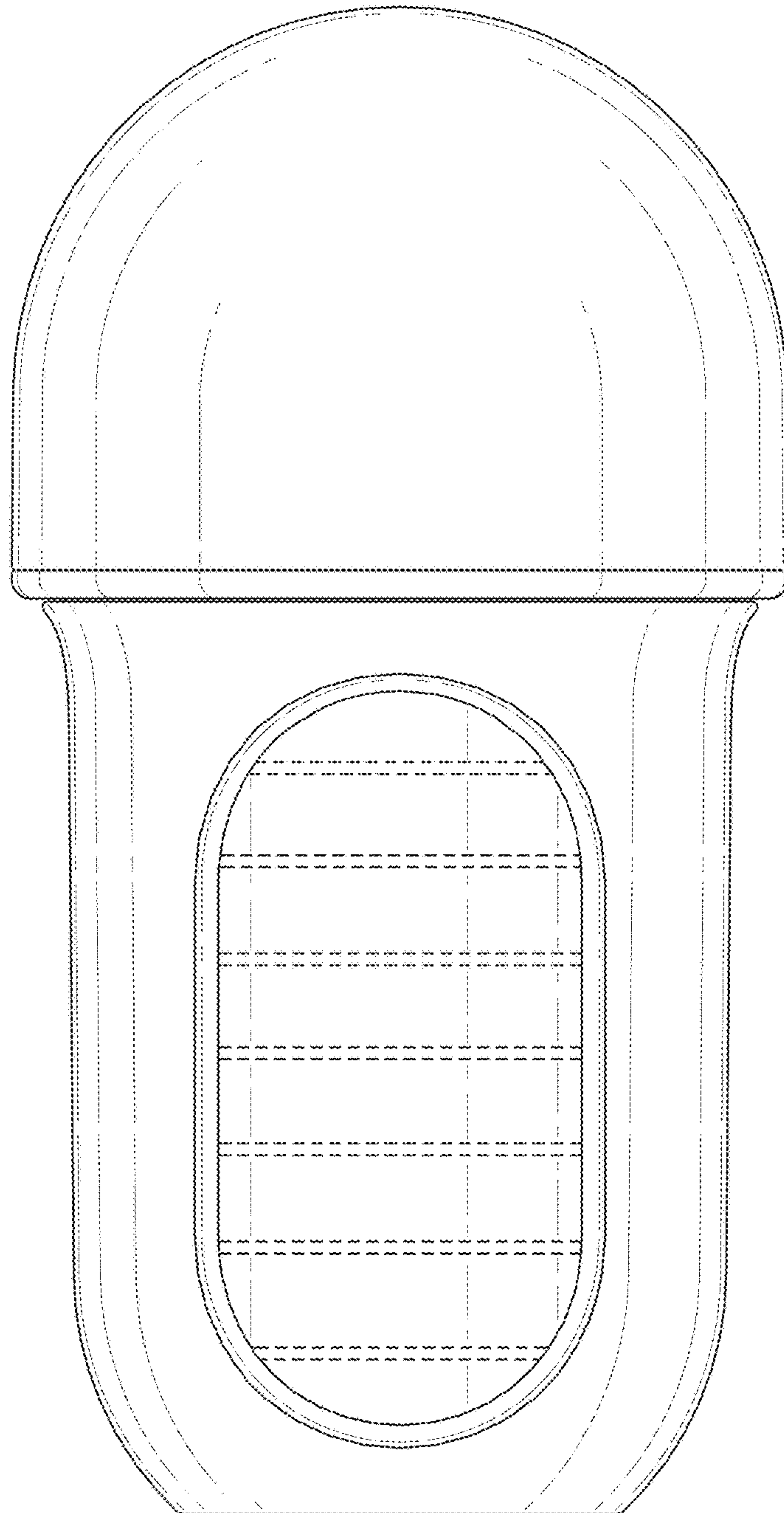


FIG. 4

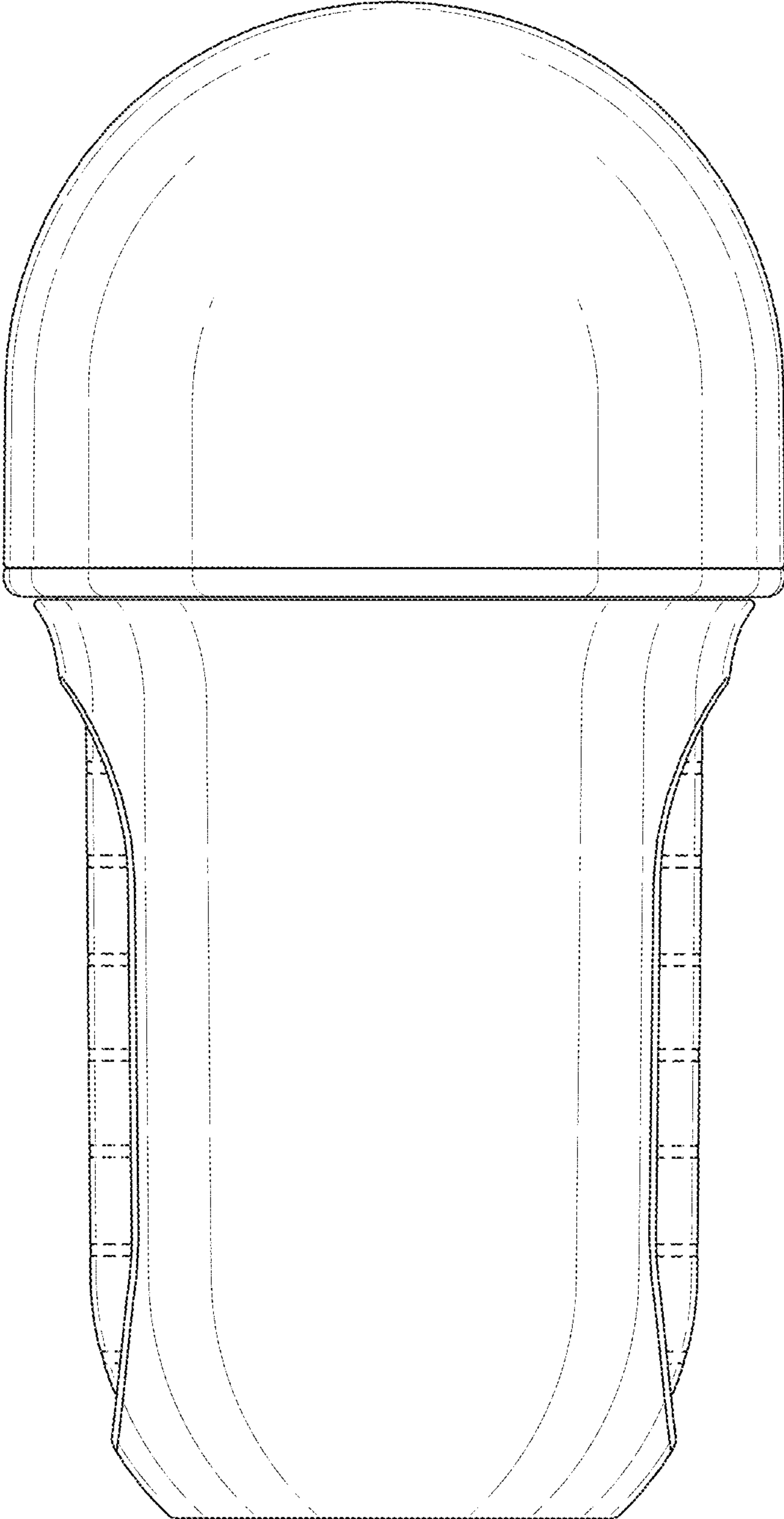


FIG. 5

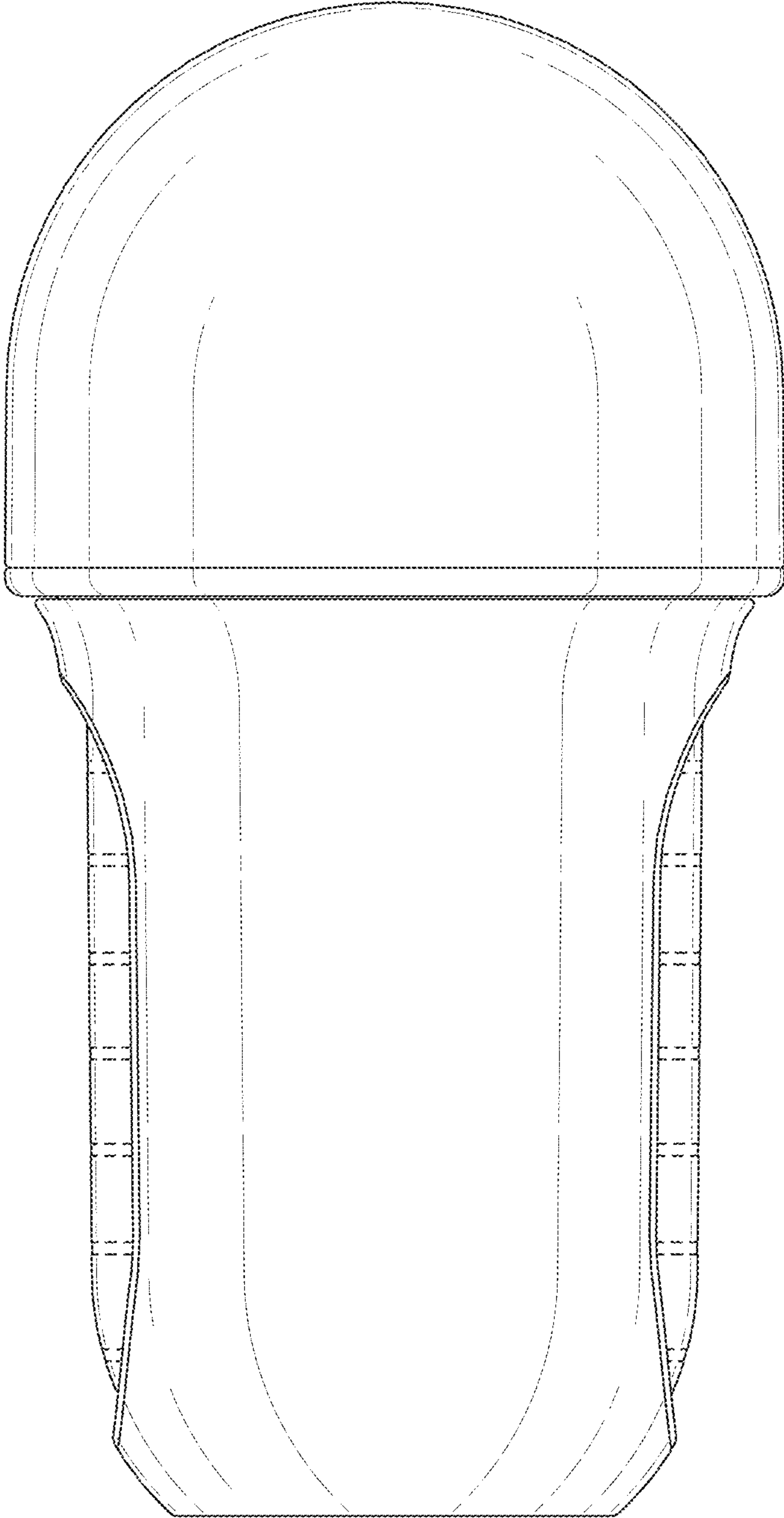


FIG. 6

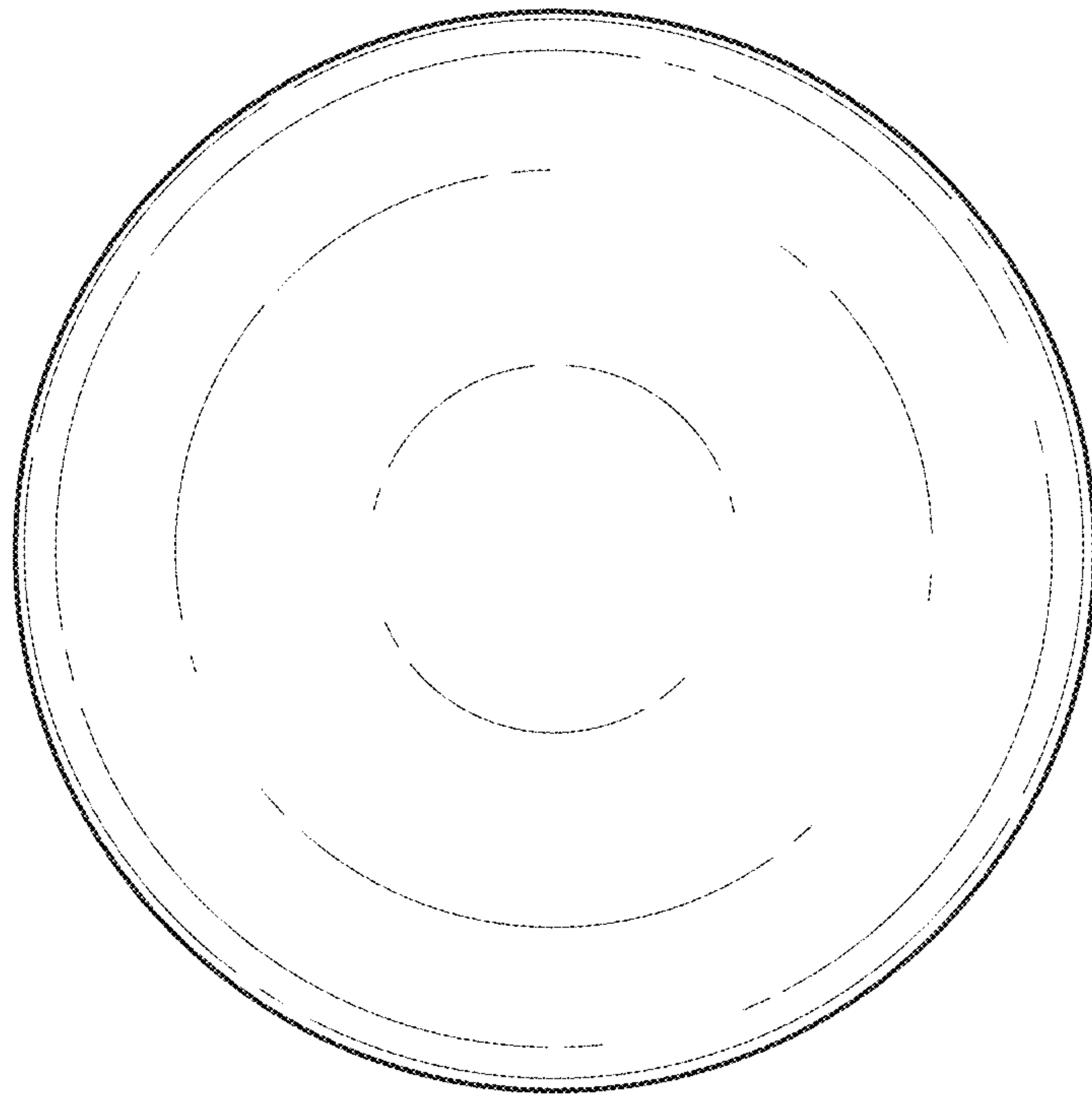


FIG. 7

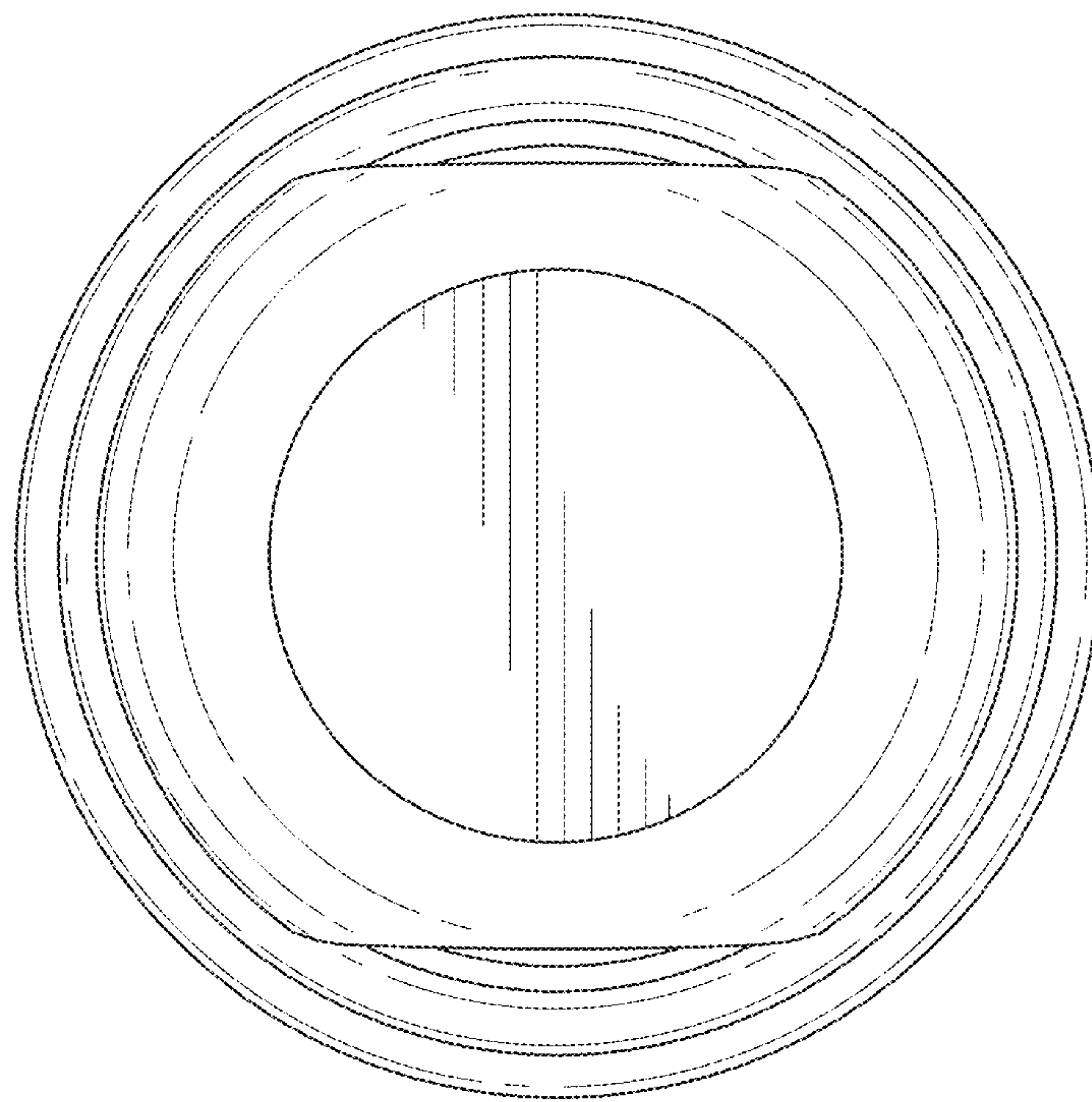


FIG. 8

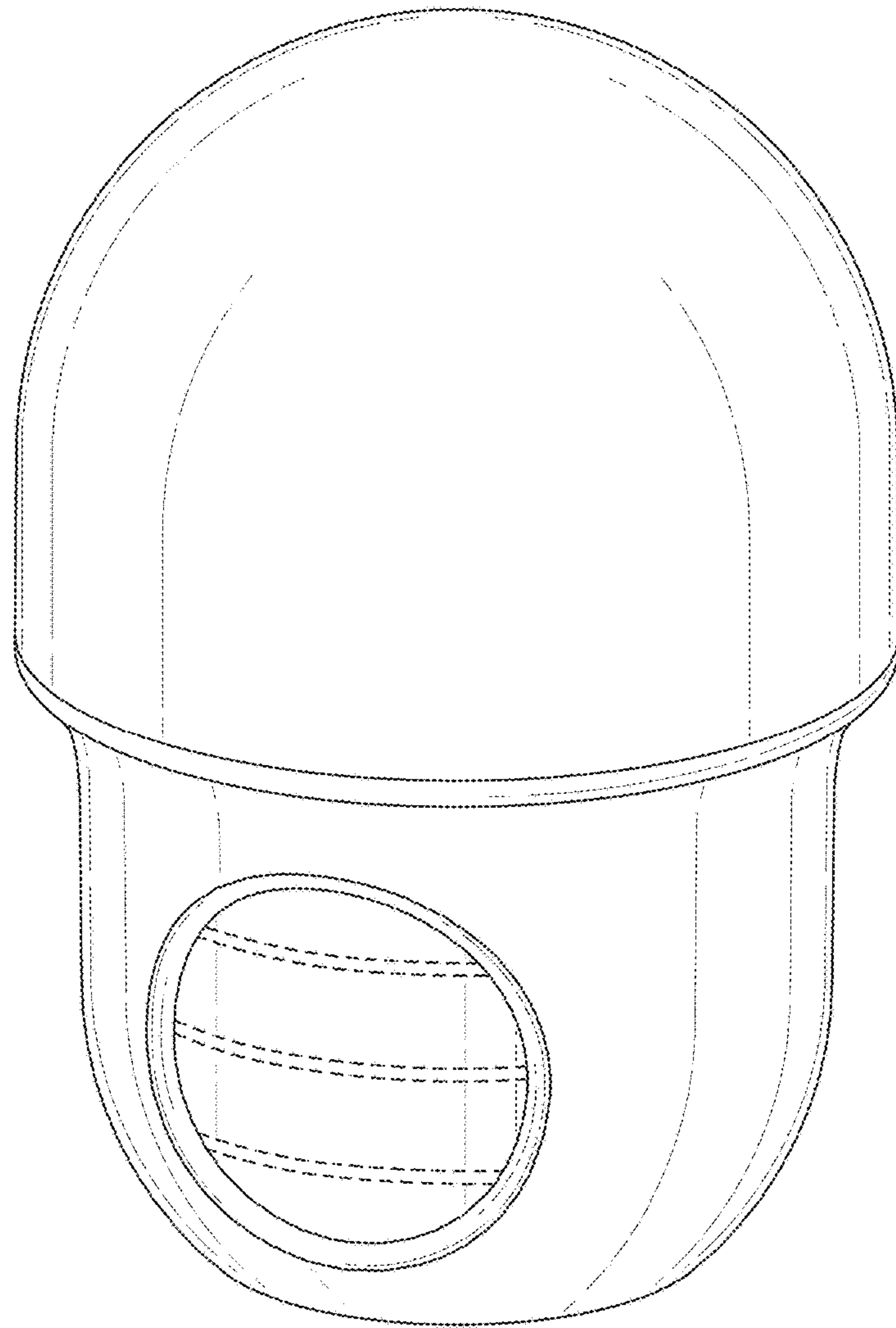


FIG. 9

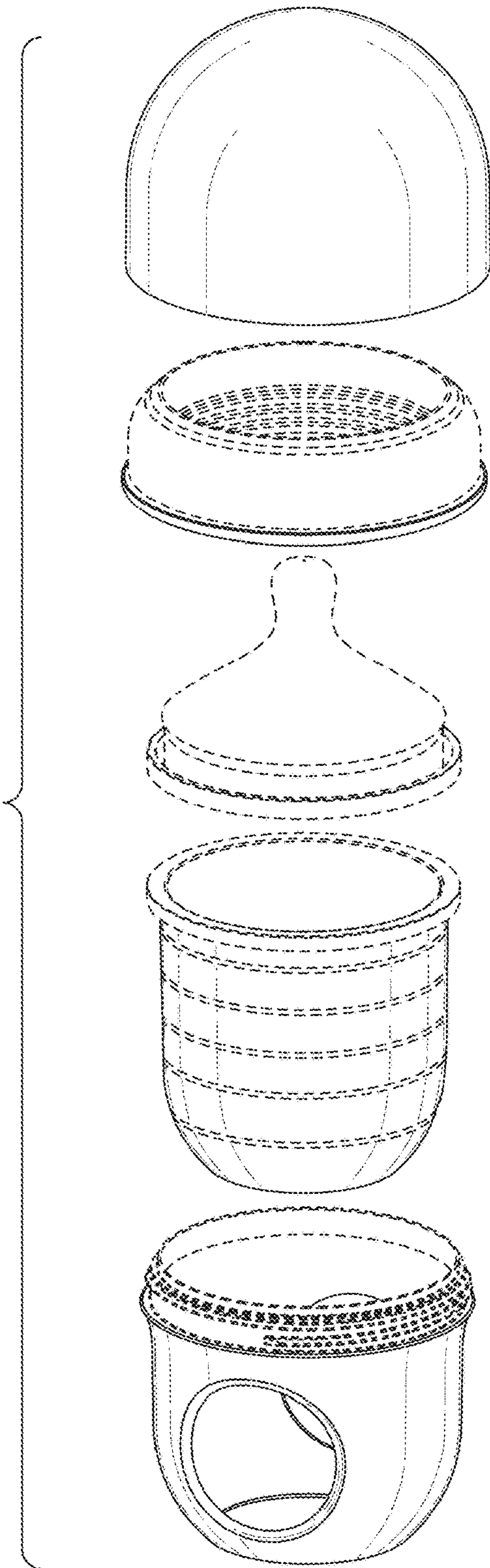


FIG. 10

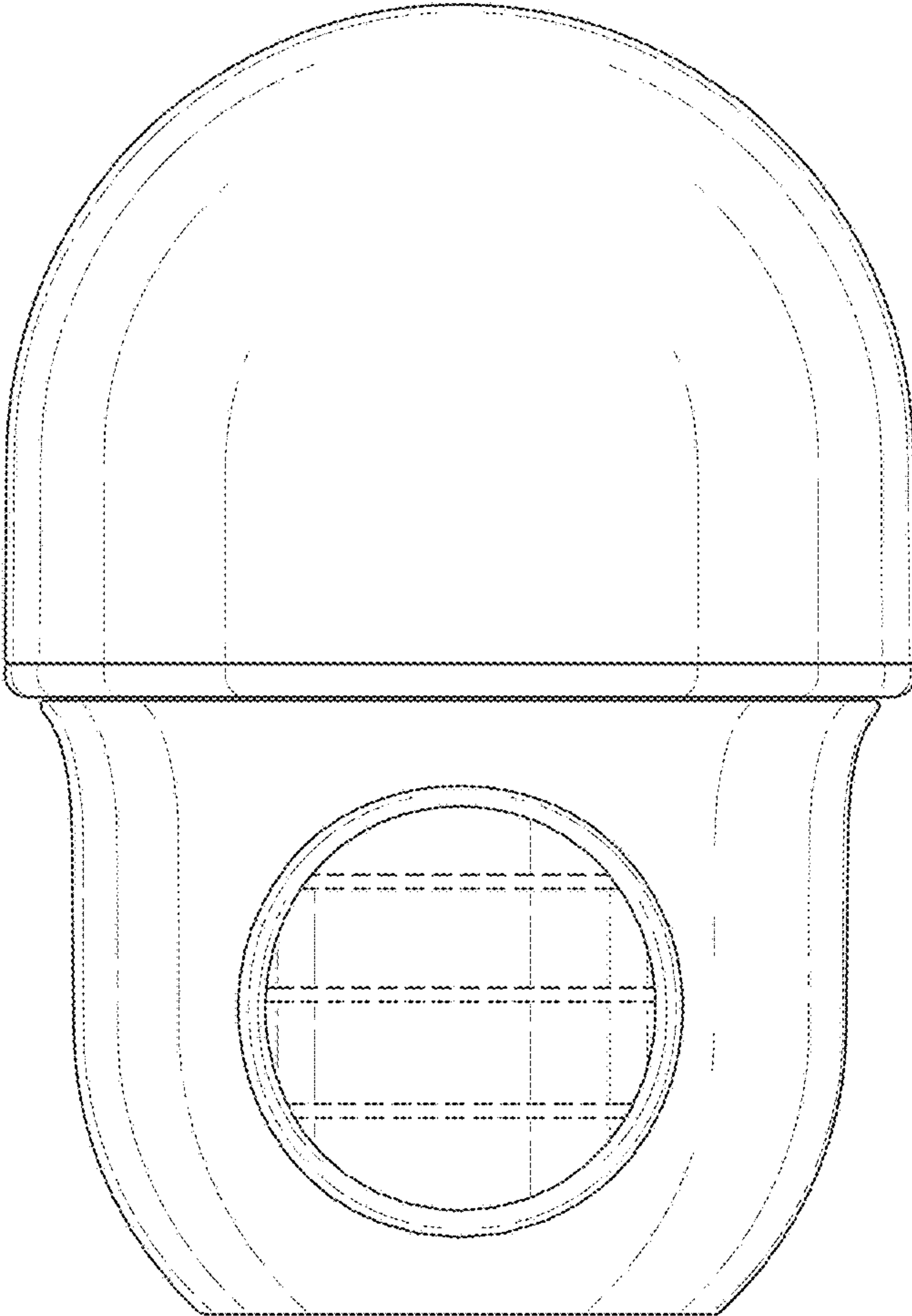


FIG. 11

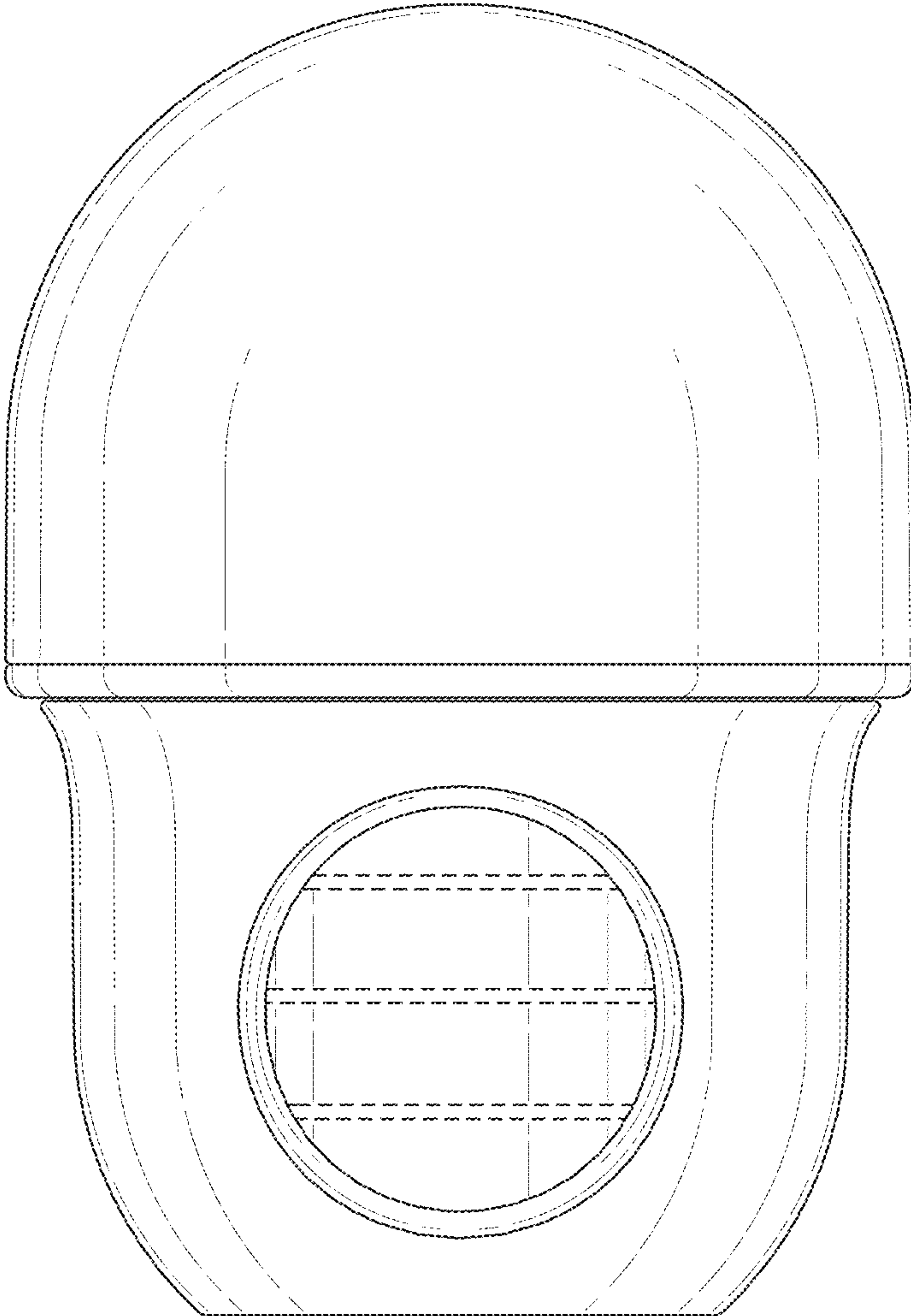


FIG. 12

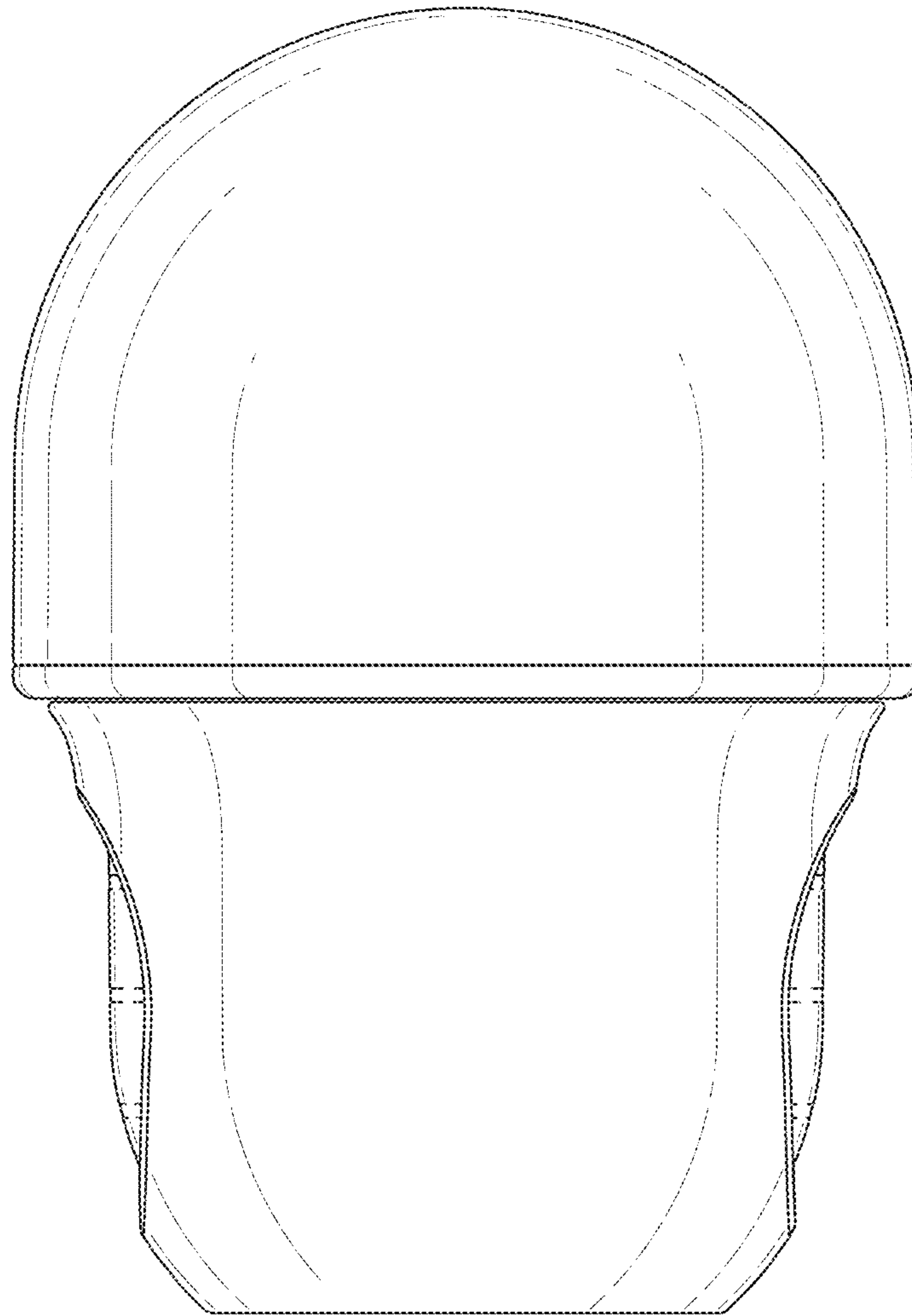


FIG. 13

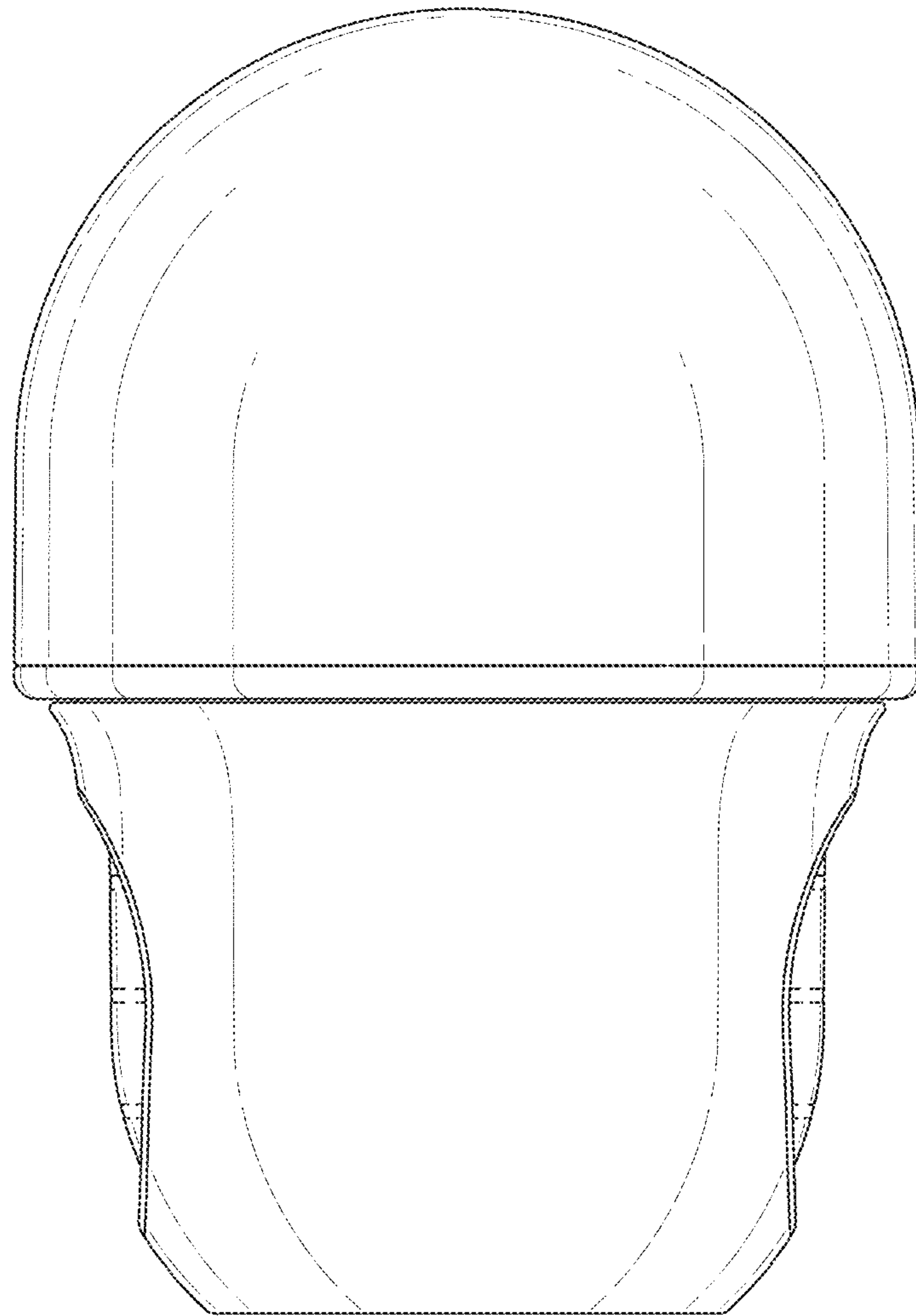


FIG. 14

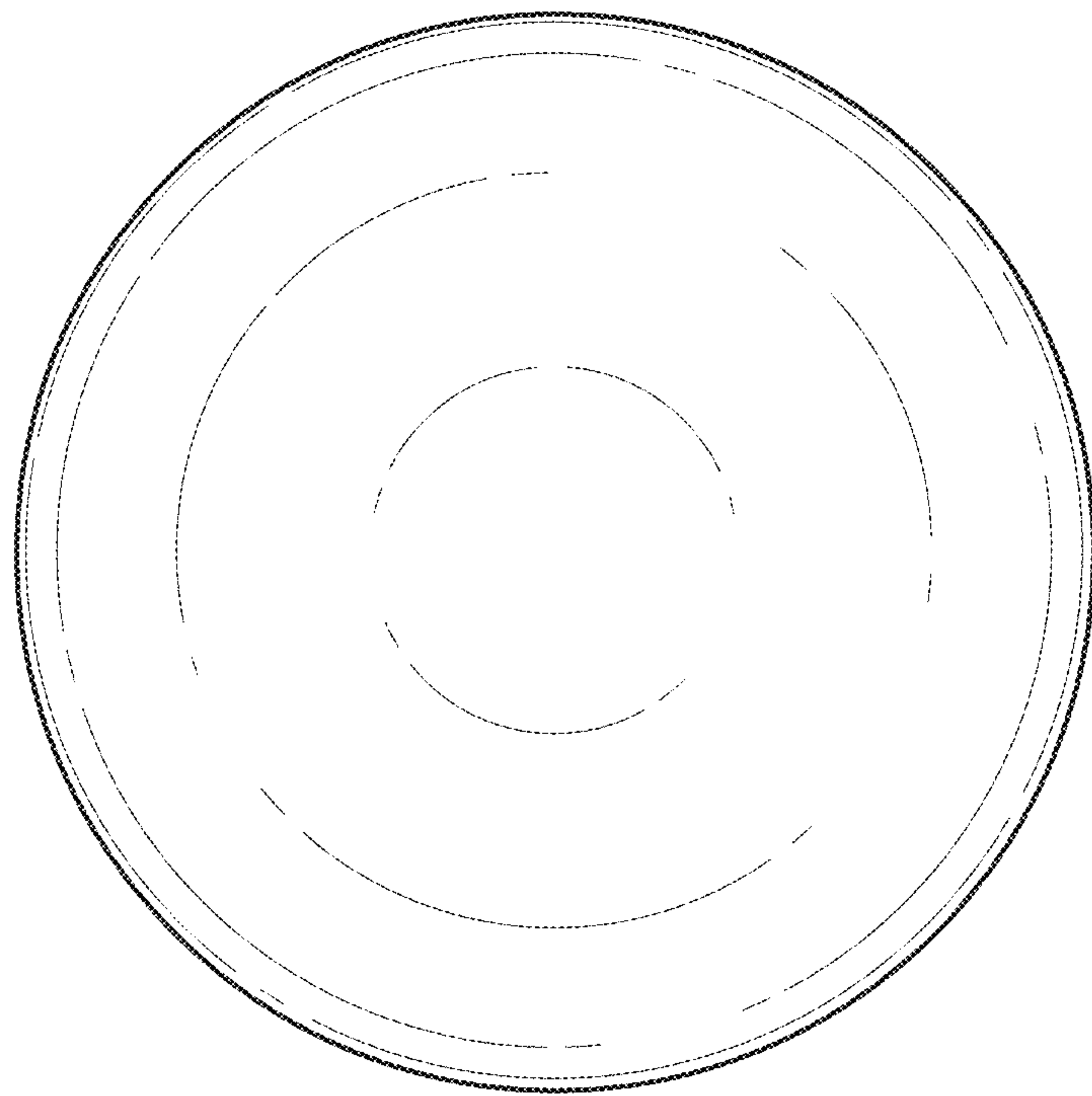


FIG. 15

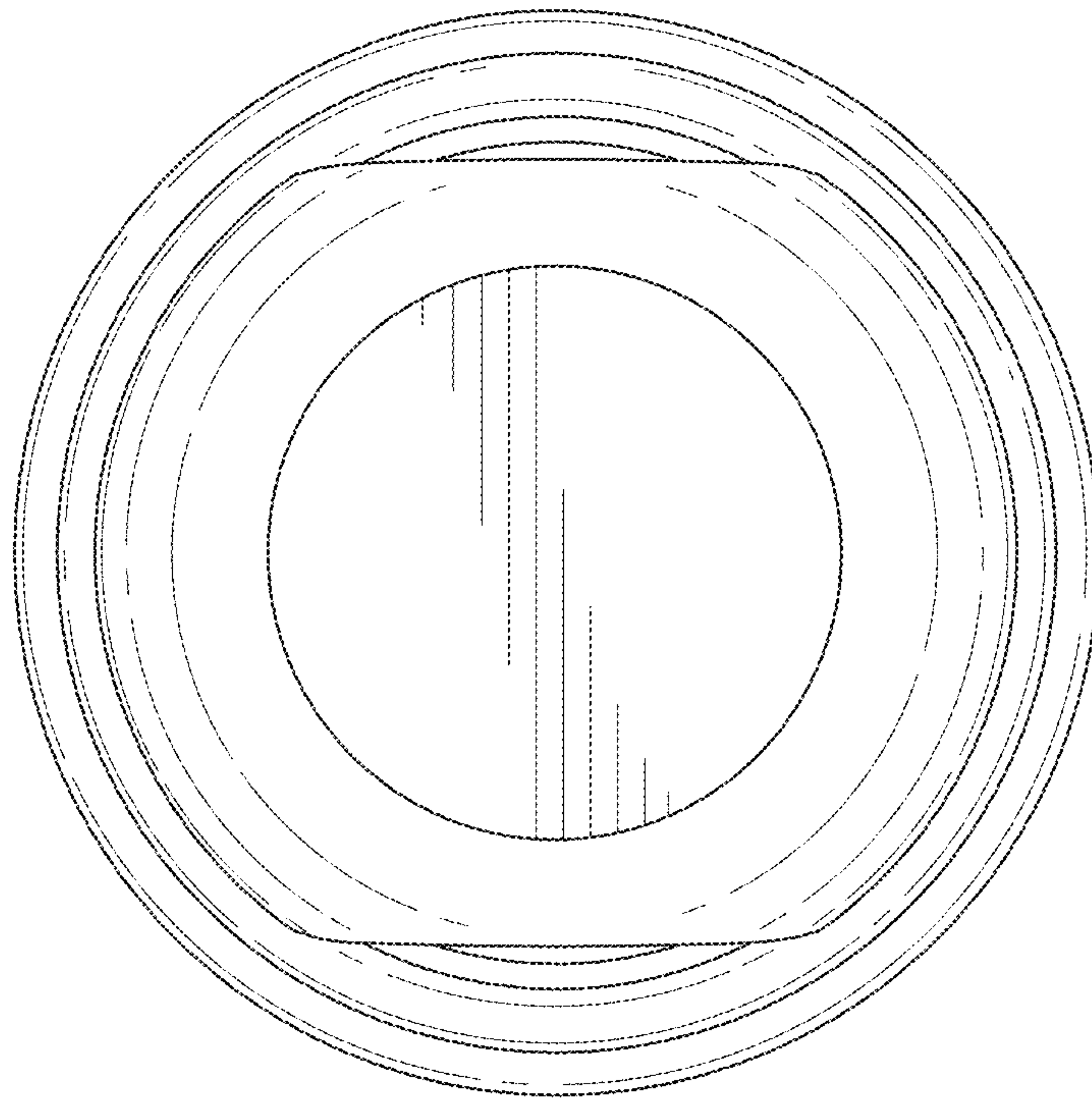


FIG. 16