



US00D821586S

(12) **United States Design Patent**  
**Kile et al.**

(10) **Patent No.:** **US D821,586 S**  
(45) **Date of Patent:** **\*\* Jun. 26, 2018**

- (54) **DENTAL DISPENSER CAP**
- (71) Applicant: **DENTSPLY SIRONA Inc.**, York, PA (US)
- (72) Inventors: **Jeremy Kile**, York, PA (US); **Paul R. Pierson**, Camden, DE (US)
- (73) Assignee: **DENTSPLY SIRONA Inc.**, York, PA (US)
- (\*\*) Term: **15 Years**
- (21) Appl. No.: **29/595,618**
- (22) Filed: **Mar. 1, 2017**
- (51) **LOC (11) Cl.** ..... **24-02**
- (52) **U.S. Cl.**  
USPC ..... **D24/176**
- (58) **Field of Classification Search**  
USPC ..... D24/176-182, 112  
CPC ..... A61C 19/063; A61C 19/00; A61C 5/062;  
A61C 5/62; A61C 5/64; A61C 5/66;  
A61C 5/68; A61C 9/0026; A61C 9/004  
See application file for complete search history.

- 6,135,771 A \* 10/2000 Dragan ..... A61C 5/62  
433/90
- 8,616,879 B2 \* 12/2013 Dubey ..... A61C 5/62  
433/80
- D711,542 S \* 8/2014 Pierson ..... D24/176
- D737,958 S \* 9/2015 Pieroni ..... D24/112
- 9,283,059 B2 \* 3/2016 Pierson ..... A61C 9/0026
- D760,393 S \* 6/2016 Pierson ..... D24/176
- D760,394 S \* 6/2016 Pieroni ..... D24/176
- 2012/0017412 A1 \* 1/2012 Pierson ..... A61C 5/64  
29/428

\* cited by examiner

*Primary Examiner* — Wan Laymon

(74) *Attorney, Agent, or Firm* — Sushma Chauhan;  
Douglas J. Hura; David A. Zdurne

(57) **CLAIM**

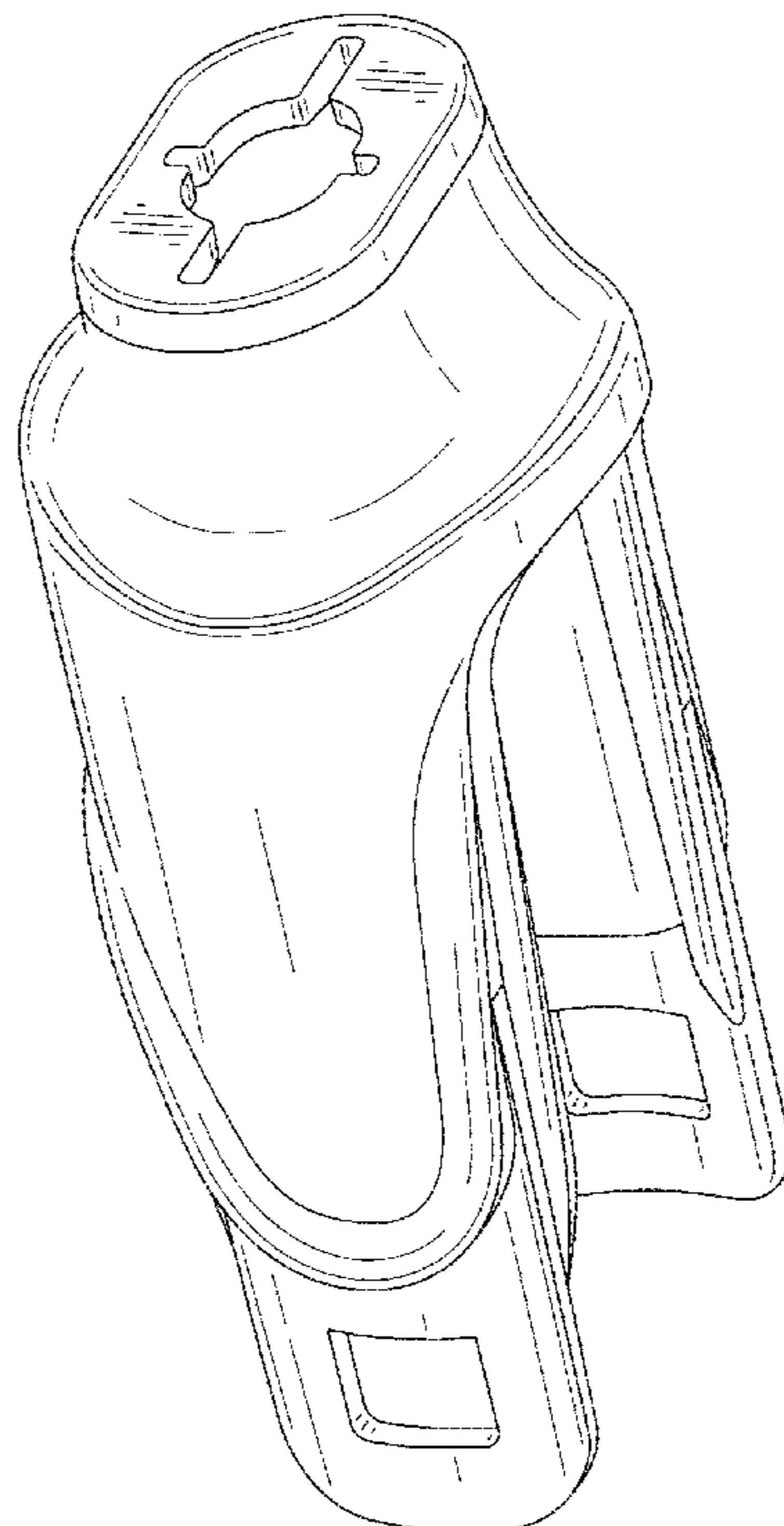
The ornamental design for a dental dispenser cap, as shown and described.

**DESCRIPTION**

FIG. 1 is a perspective view of a dental dispenser cap showing our new design.  
 FIG. 2 is a front view thereof.  
 FIG. 3 is a rear view thereof.  
 FIG. 4 is a side view thereof, the opposite side being a mirror image.  
 FIG. 5 is a top view thereof; and,  
 FIG. 6 is a bottom view thereof.  
 The broken line showing in the drawings is included for the purpose of illustrating portions of the dental dispenser cap and forms no part of the claimed design.

**1 Claim, 5 Drawing Sheets**

- (56) **References Cited**  
U.S. PATENT DOCUMENTS
- 5,125,836 A \* 6/1992 Dragan ..... A61C 5/62  
433/90
- D353,673 S \* 12/1994 Disco, Jr. .... D24/152
- 5,871,355 A \* 2/1999 Dragan ..... A61C 5/66  
433/90



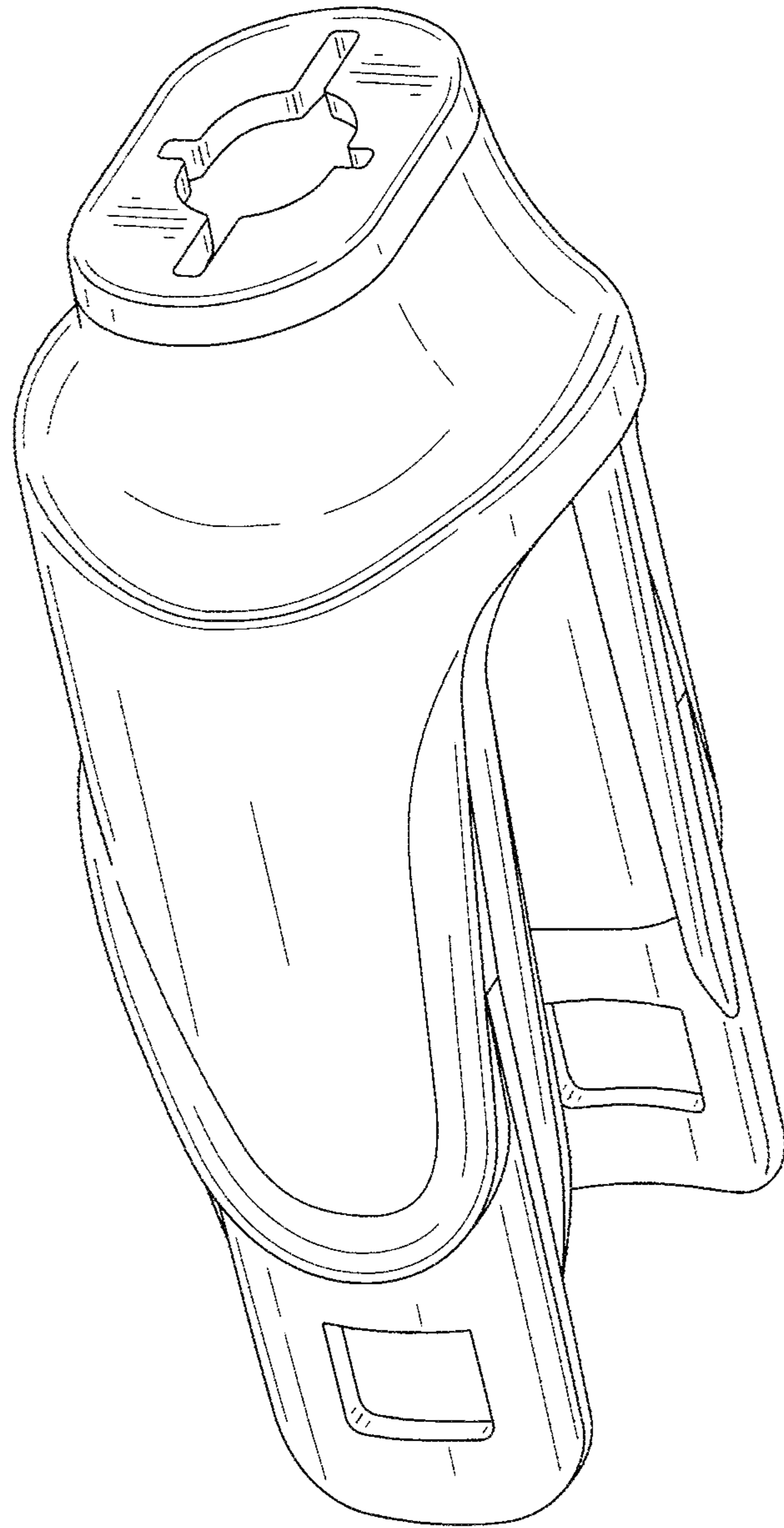


FIG. 1

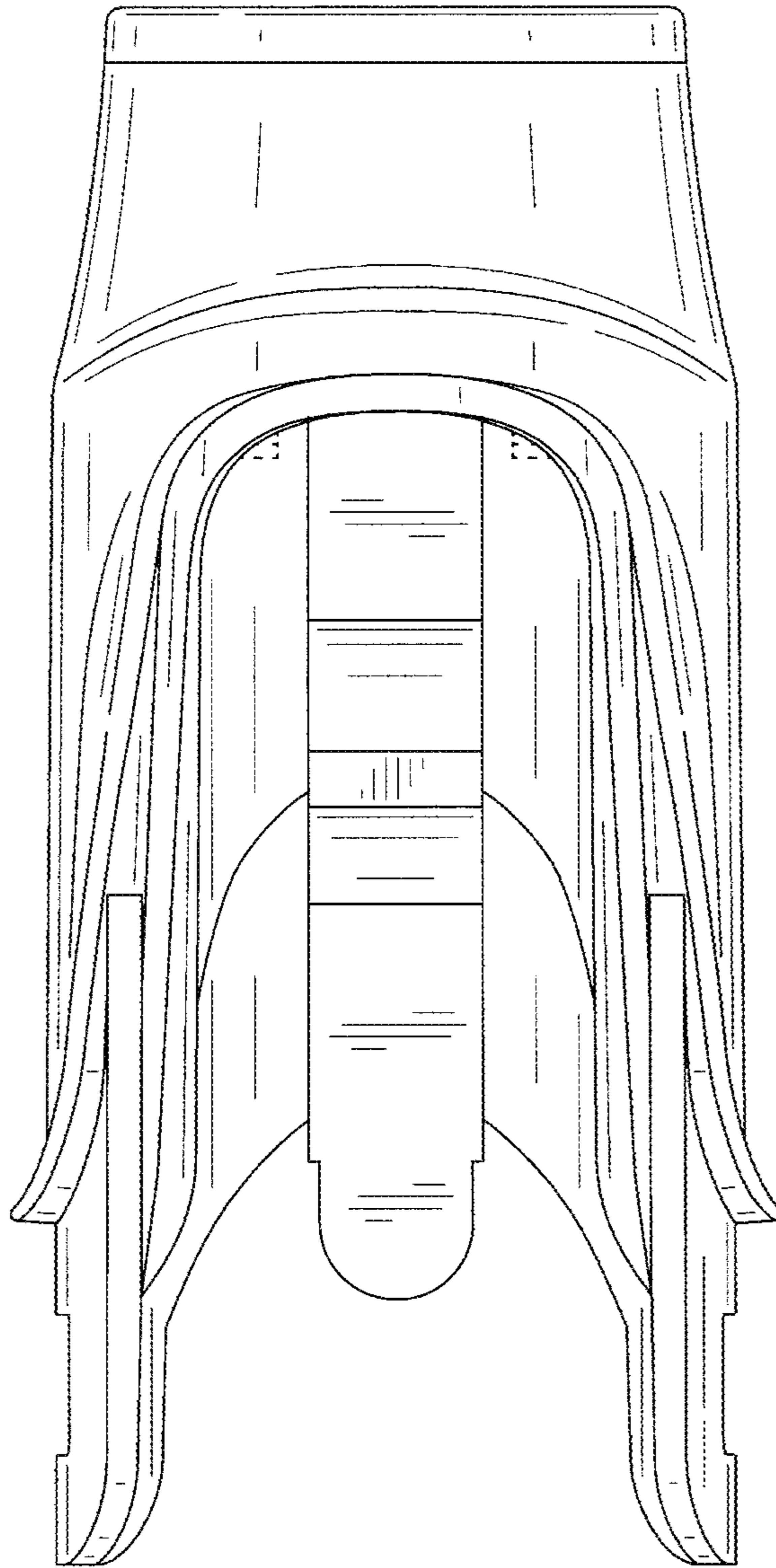


FIG. 2

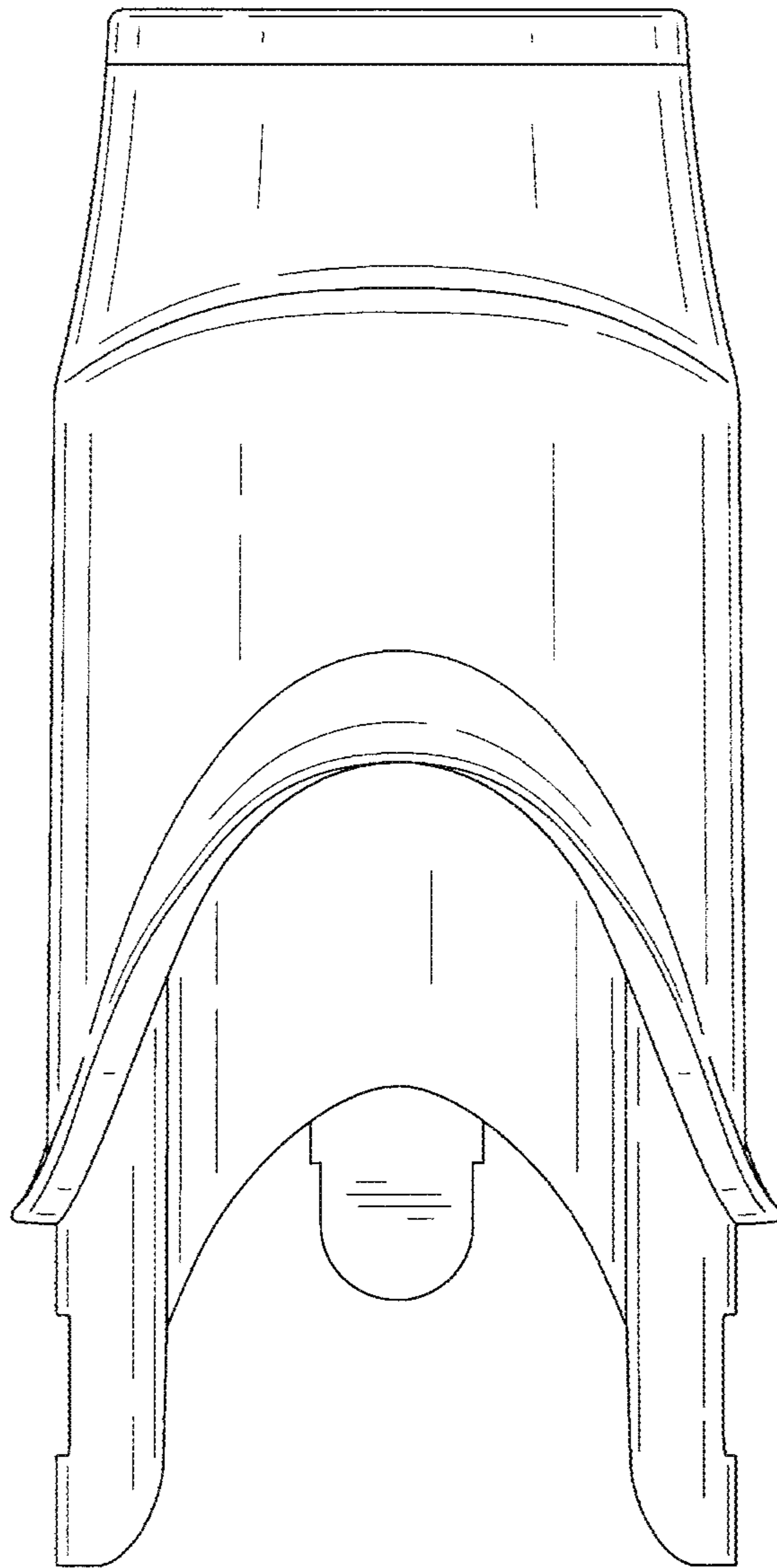


FIG. 3

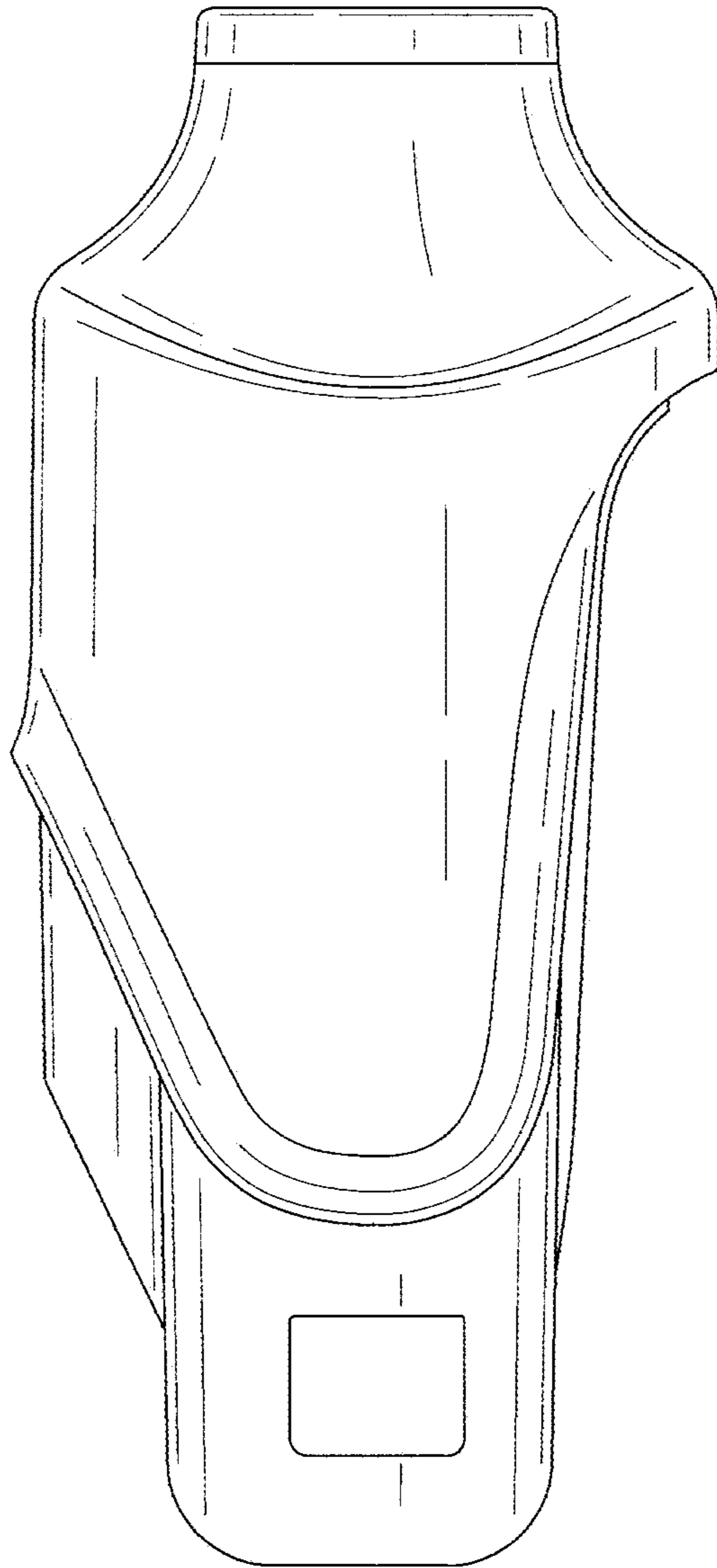


FIG. 4



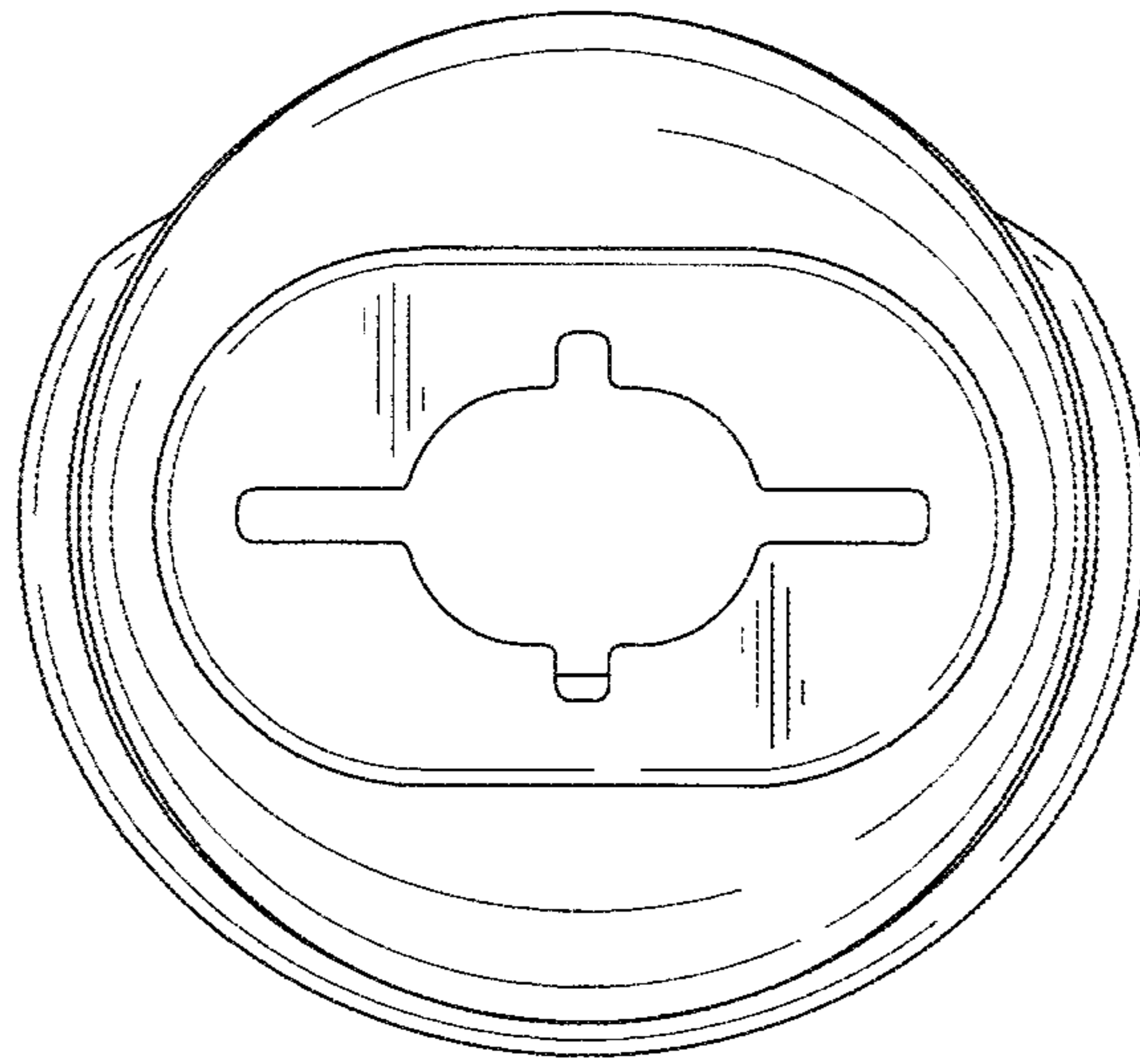


FIG. 5

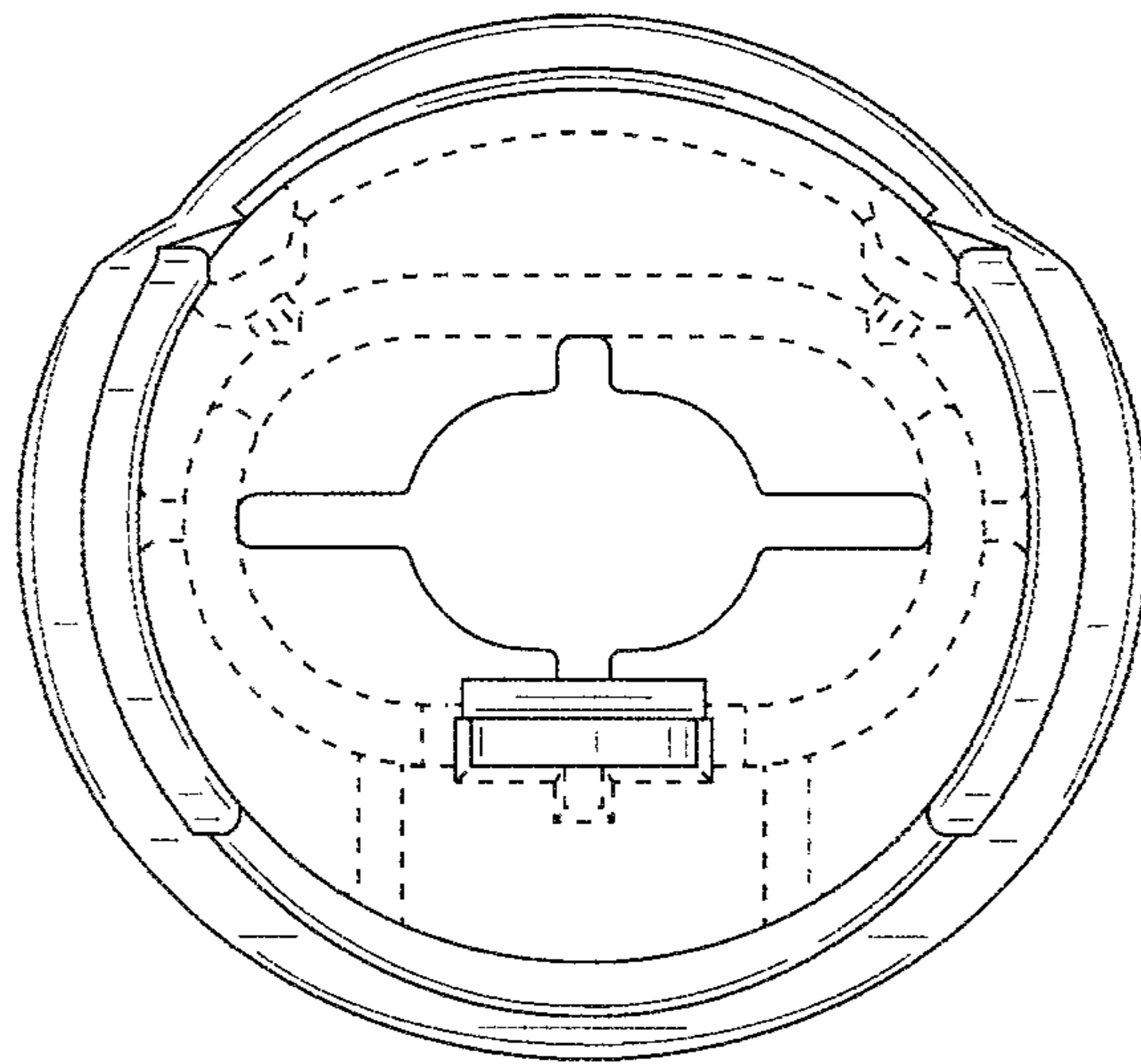


FIG. 6