



US00D821585S

(12) **United States Design Patent**
Kile et al.

(10) **Patent No.:** **US D821,585 S**
(45) **Date of Patent:** **** Jun. 26, 2018**

(54) **DENTAL DISPENSER CAP AND CARTRIDGE MIXTIP ASSEMBLY**

(71) Applicant: **DENTSPLY SIRONA Inc.**, York, PA (US)

(72) Inventors: **Jeremy Kile**, York, PA (US); **Paul R. Pierson**, Camden, DE (US)

(73) Assignee: **DENTSPLY SIRONA Inc.**, York, PA (US)

(**) Term: **15 Years**

(21) Appl. No.: **29/595,617**

(22) Filed: **Mar. 1, 2017**

(51) **LOC (11) Cl.** **24-02**

(52) **U.S. Cl.**
USPC **D24/176**

(58) **Field of Classification Search**
USPC D24/176-182, 112
CPC A61C 19/063; A61C 19/00; A61C 5/062;
A61C 5/62; A61C 5/64; A61C 5/66;
A61C 5/68; A61C 9/0026; A61C 9/004
See application file for complete search history.

(56) **References Cited**

U.S. PATENT DOCUMENTS

- 5,125,836 A * 6/1992 Dragan A61C 5/62
433/90
- D353,673 S * 12/1994 Discko, Jr. D24/152
- 5,871,355 A * 2/1999 Dragan A61C 5/66
433/90

- 6,135,771 A * 10/2000 Dragan A61C 5/62
433/90
- 8,616,879 B2 * 12/2013 Dubey A61C 5/62
433/80
- D711,542 S * 8/2014 Pierson D24/176
- D737,958 S * 9/2015 Pieroni D24/112
- 9,283,059 B2 * 3/2016 Pierson A61C 9/0026
- D760,393 S * 6/2016 Pierson D24/176
- D760,394 S * 6/2016 Pieroni D24/176
- 2012/0017412 A1 * 1/2012 Pierson A61C 5/64
29/428

* cited by examiner

Primary Examiner — Wan Laymon

(74) *Attorney, Agent, or Firm* — Leana Levin; Douglas J. Hura; David A. Zdurne

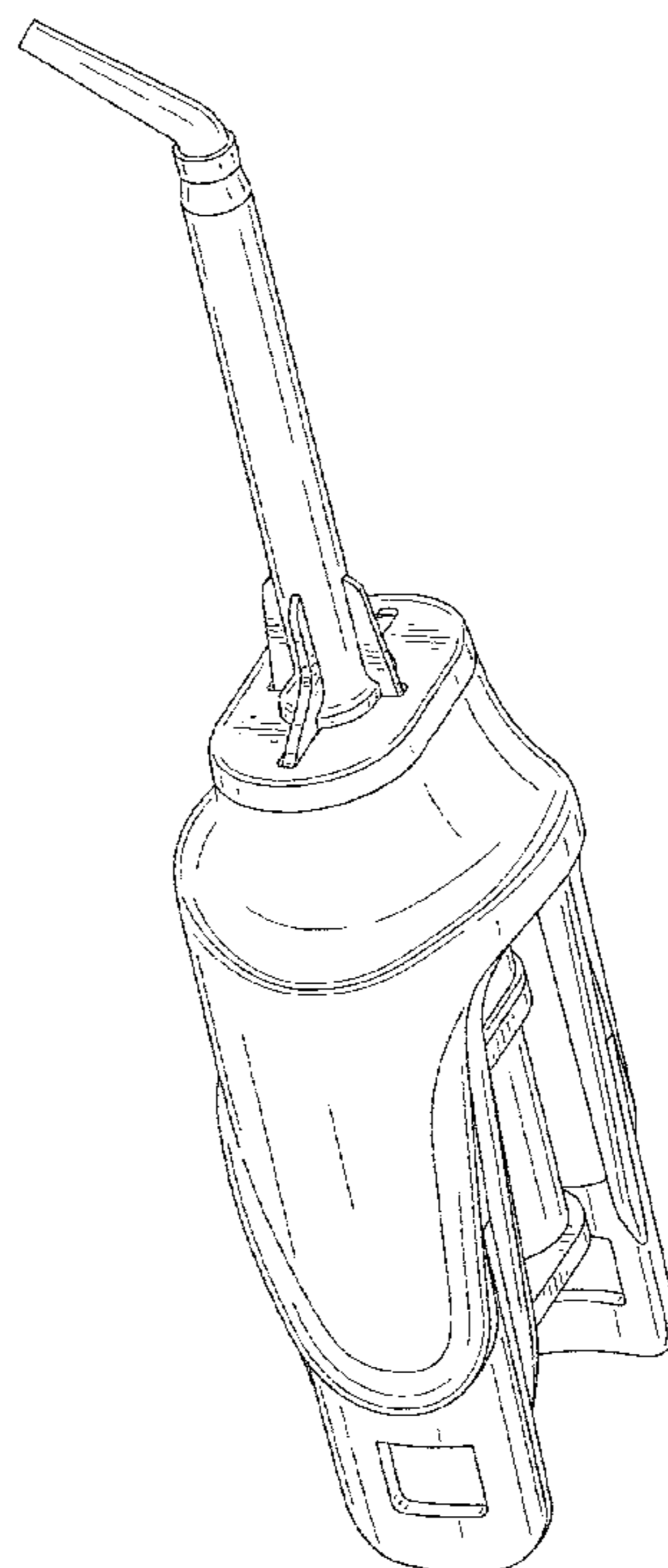
(57) **CLAIM**

The ornamental design for a dental dispenser cap and cartridge mixtip assembly, as shown and described.

DESCRIPTION

FIG. 1 is a perspective view of a dental dispenser cap and cartridge mixtip assembly showing our new design.
 FIG. 2 is a front view thereof.
 FIG. 3 is a rear view thereof.
 FIG. 4 is a side view thereof, the opposite side being a mirror image.
 FIG. 5 is a top view thereof; and,
 FIG. 6 is a bottom view thereof.
 The broken line showing in the drawings is included for the purpose of illustrating portions of the dental dispenser cap and cartridge mixtip assembly and forms no part of the claimed design.

1 Claim, 5 Drawing Sheets



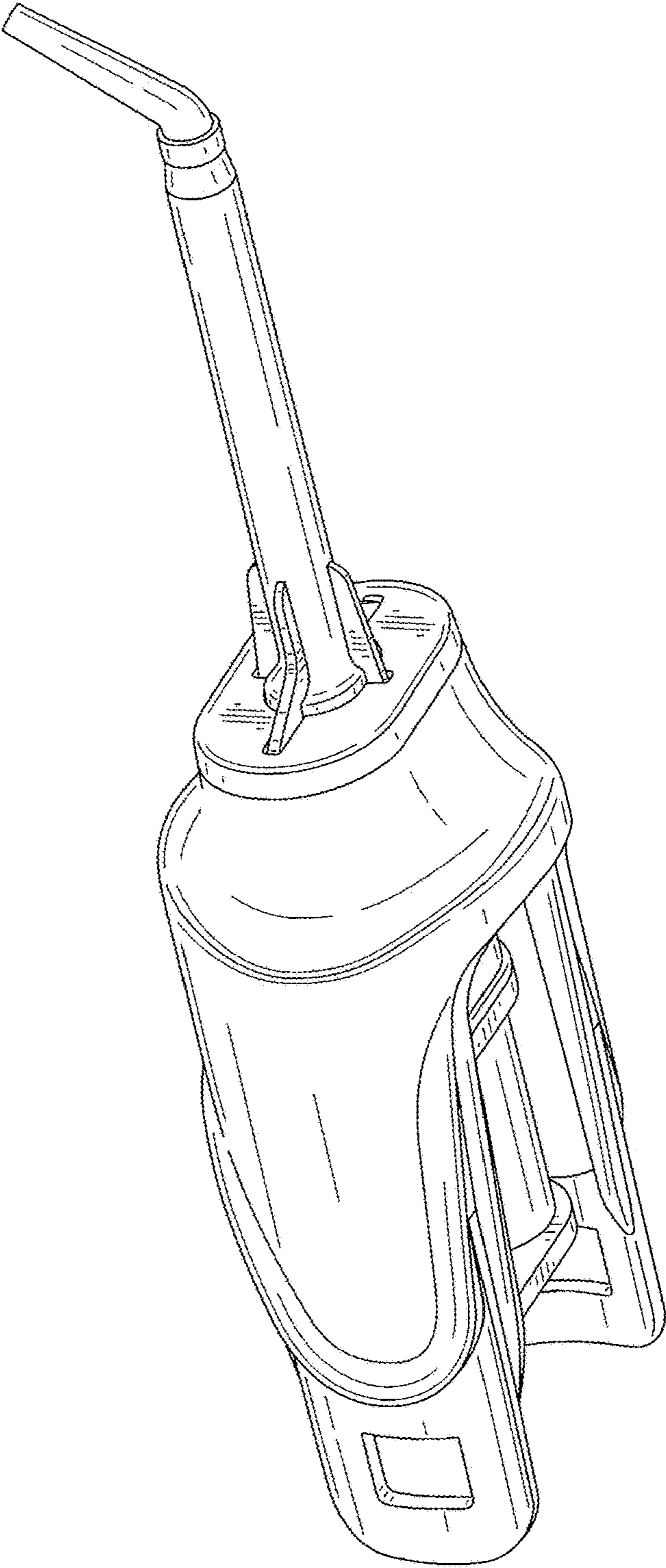


FIG. 1

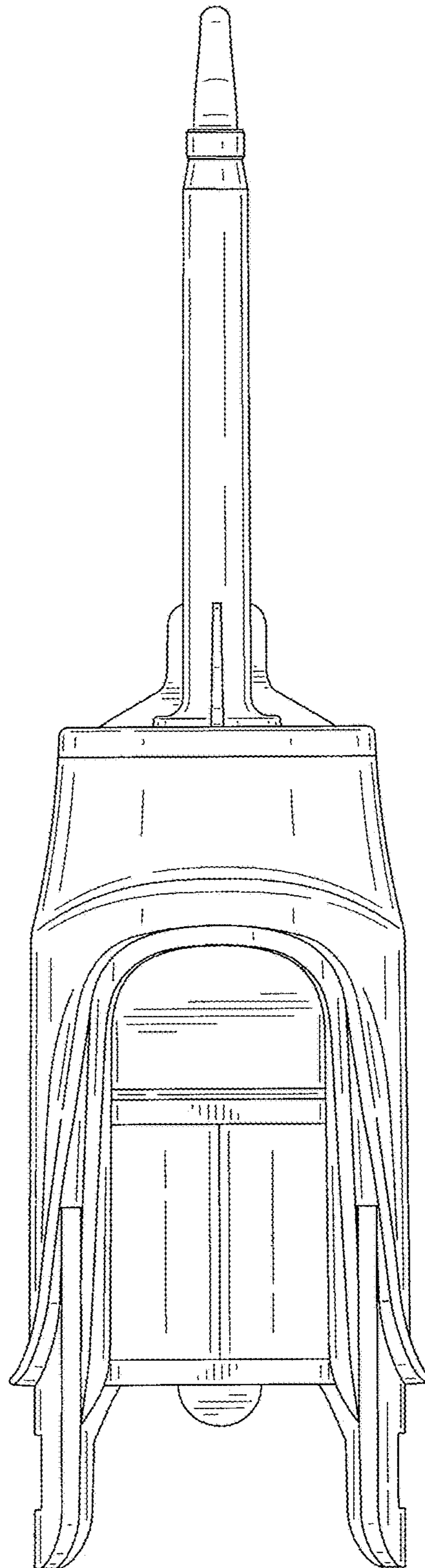


FIG. 2

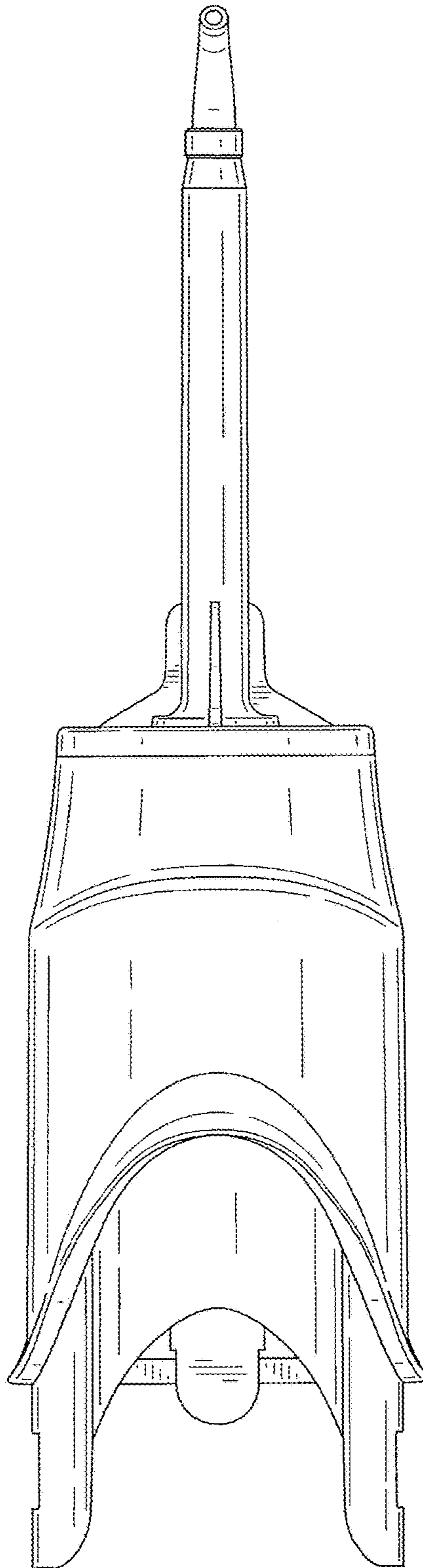


FIG. 3

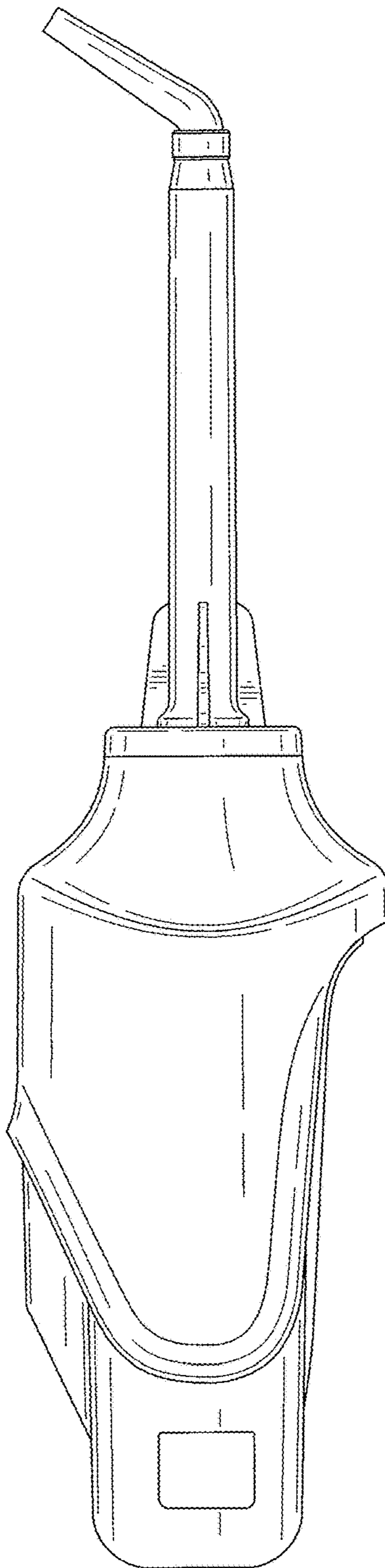


FIG. 4

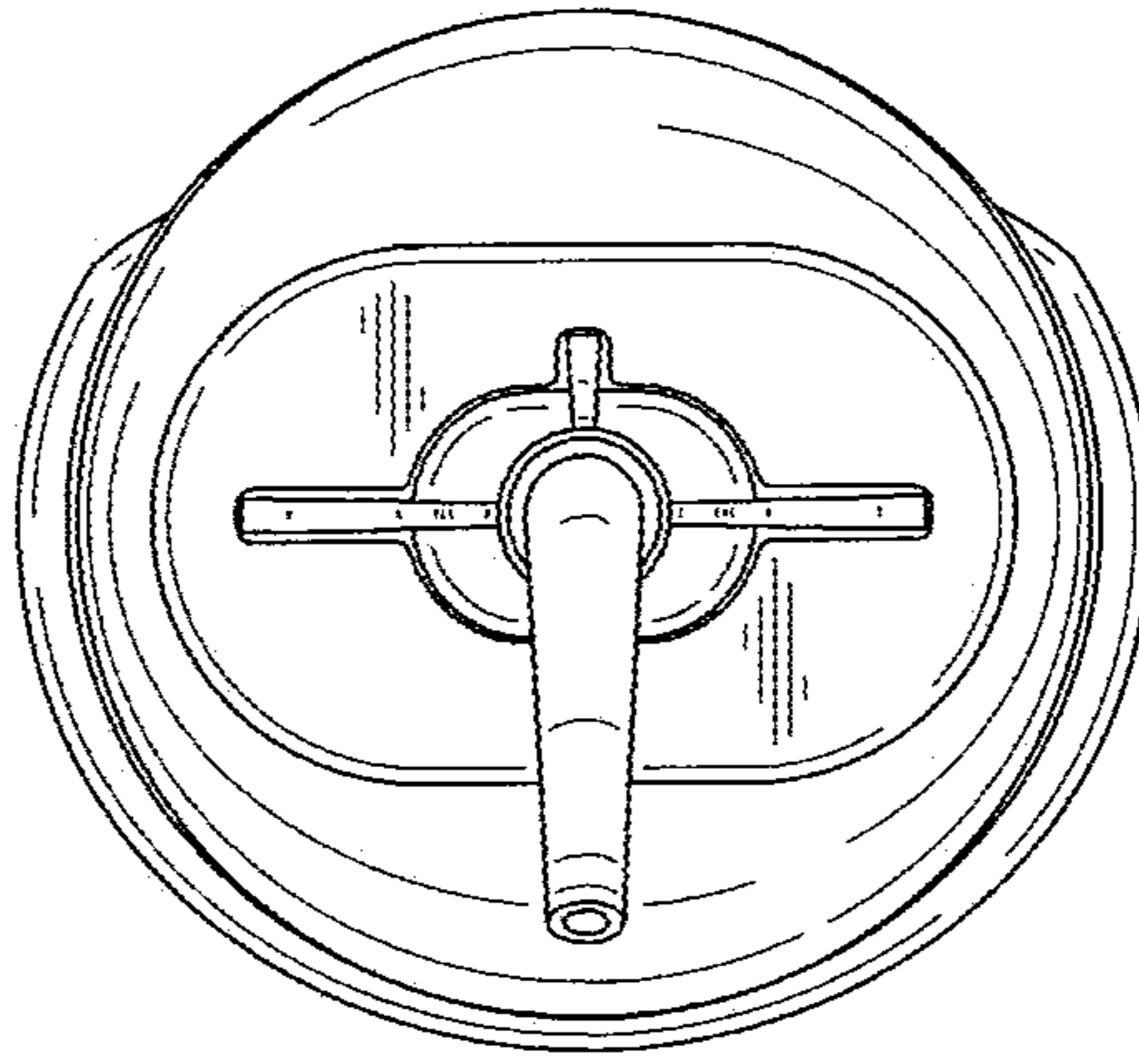


FIG. 5

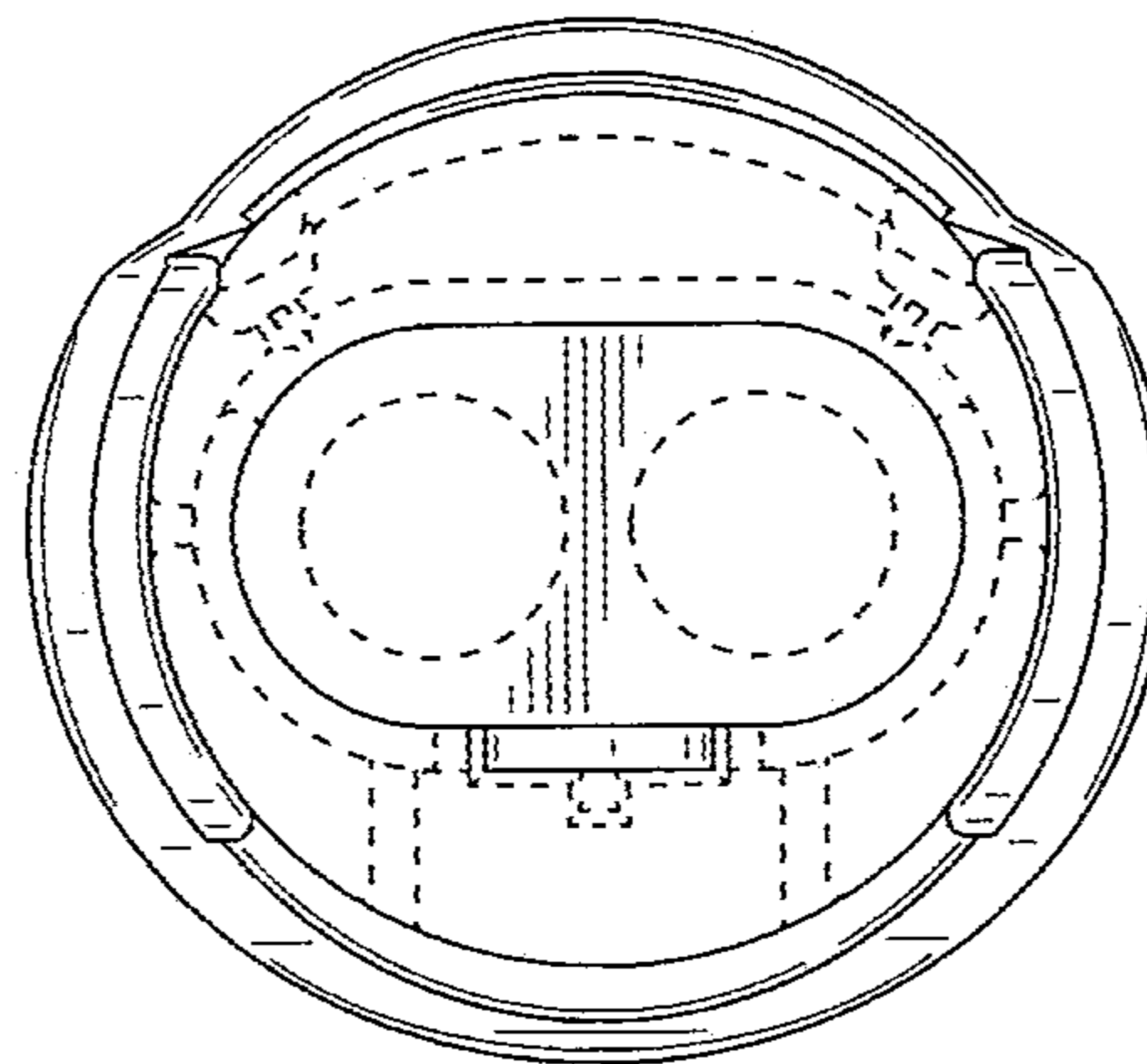


FIG. 6