



US00D821584S

(12) **United States Design Patent**  
**DePiano et al.**

(10) **Patent No.:** **US D821,584 S**  
(45) **Date of Patent:** **\*\* Jun. 26, 2018**

- (54) **CONSOLE**
- (71) Applicant: **Interscope, Inc.**, Whitinsville, MA (US)
- (72) Inventors: **John DePiano**, Burlington, MA (US);  
**Mark Anthony Begley**, West  
Barnstable, MA (US); **Jeffery Bennith  
Ryan, Jr.**, Whitinsville, MA (US)
- (73) Assignee: **INTERSCOPE, INC.**, Whitinsville,  
MA (US)
- (\*\*) Term: **15 Years**
- (21) Appl. No.: **29/545,292**
- (22) Filed: **Nov. 11, 2015**
- (51) **LOC (11) Cl.** ..... **24-00**
- (52) **U.S. Cl.**  
USPC ..... **D24/170**
- (58) **Field of Classification Search**  
USPC ..... D24/170, 144, 185, 186, 138; D13/112;  
601/152, 18; 219/234; 439/909  
CPC ..... A61B 18/1402; A61N 1/06  
See application file for complete search history.

D669,993 S *	10/2012	Merchant	.....	D24/170
D705,424 S *	5/2014	Yarbrough	.....	D24/144
D711,005 S *	8/2014	Purdy	.....	D24/186
D712,031 S *	8/2014	Feng	.....	D24/144
D715,946 S *	10/2014	Yoshida	.....	D24/170
D745,173 S *	12/2015	Marzynski	.....	D24/186
D748,805 S *	2/2016	Wolfson	.....	D24/185
D789,533 S *	6/2017	Tanaka	.....	D24/138

\* cited by examiner

*Primary Examiner* — Rhea Shields

(74) *Attorney, Agent, or Firm* — Shabbi S. Khan; Foley  
& Lardner LLP

(57) **CLAIM**

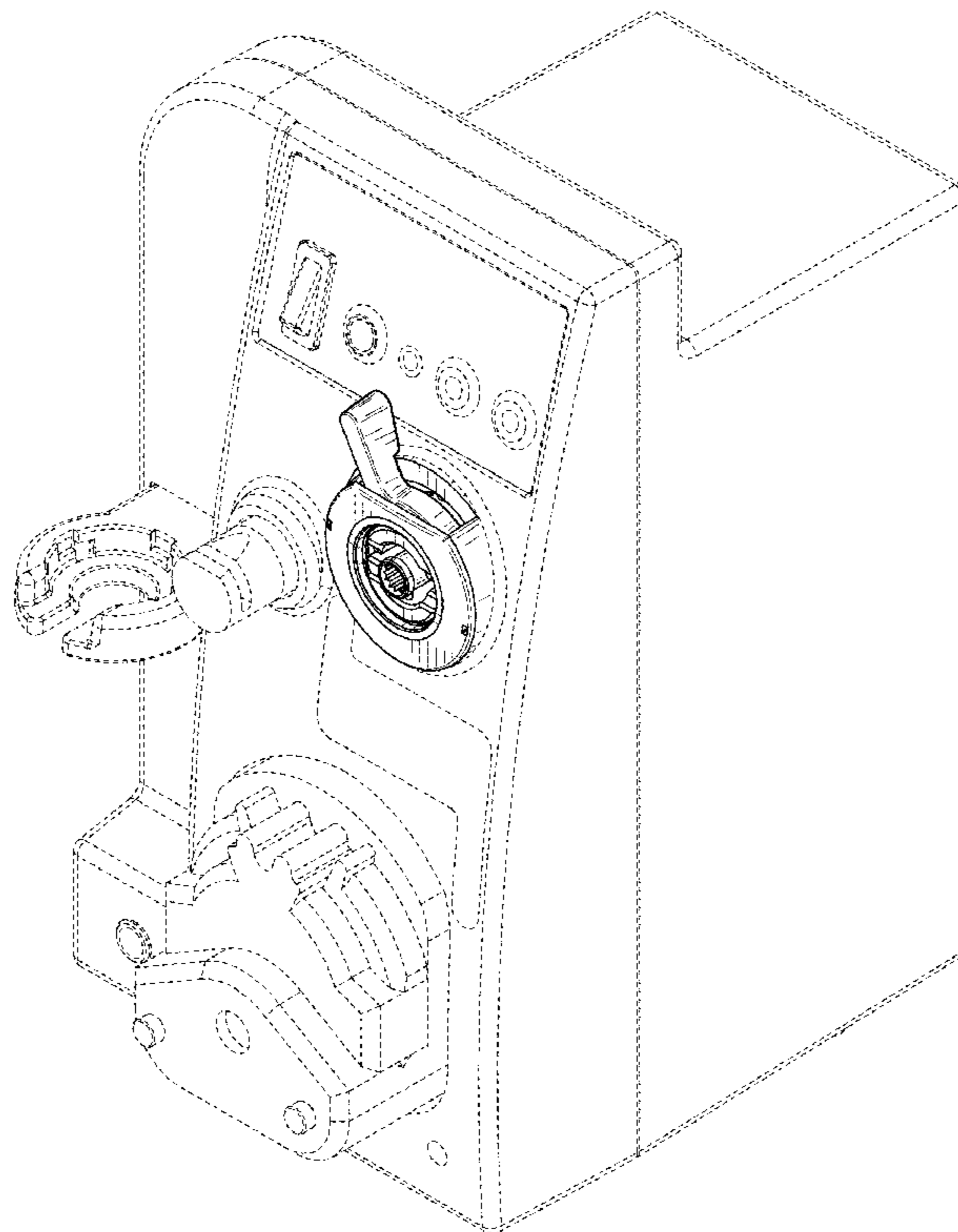
We claim the ornamental design for a console, as shown and described.

**DESCRIPTION**

FIG. 1 is a top, front, left perspective view of an embodiment of the claimed design;  
 FIG. 2 is a front elevation view thereof;  
 FIG. 3 is a rear elevation view thereof;  
 FIG. 4 is a left elevation view thereof;  
 FIG. 5 is a right elevation view thereof;  
 FIG. 6 is a top plan view thereof; and,  
 FIG. 7 is a bottom plan view thereof.  
 In the drawings, the broken lines are for the purpose of illustrating environment only and form no part of the claimed design.

**1 Claim, 7 Drawing Sheets**

- (56) **References Cited**  
U.S. PATENT DOCUMENTS  
4,593,691 A \* 6/1986 Lindstrom ..... A61B 18/1402  
219/234  
5,562,710 A \* 10/1996 Olsen ..... A61N 1/3931  
439/909



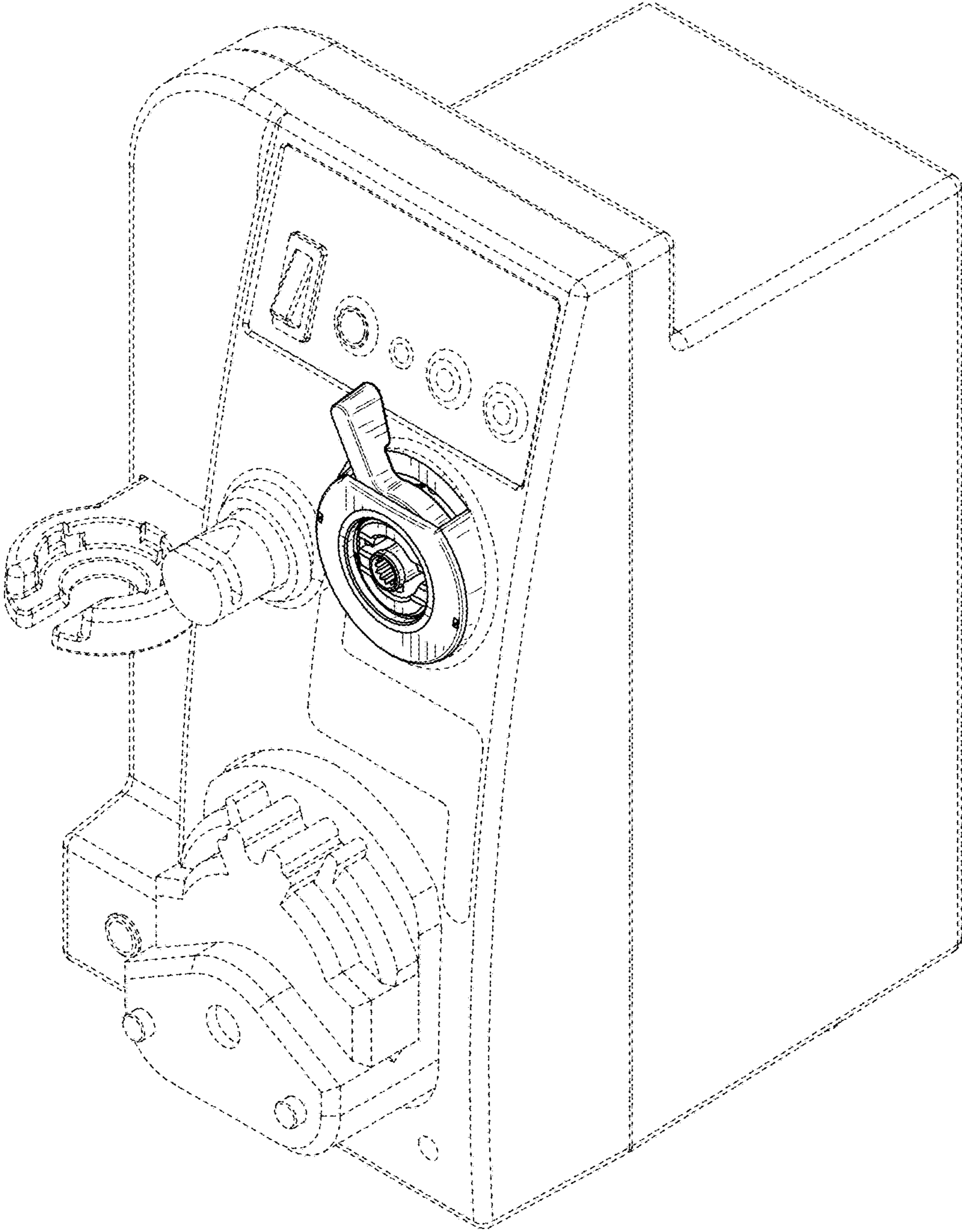


FIG. 1

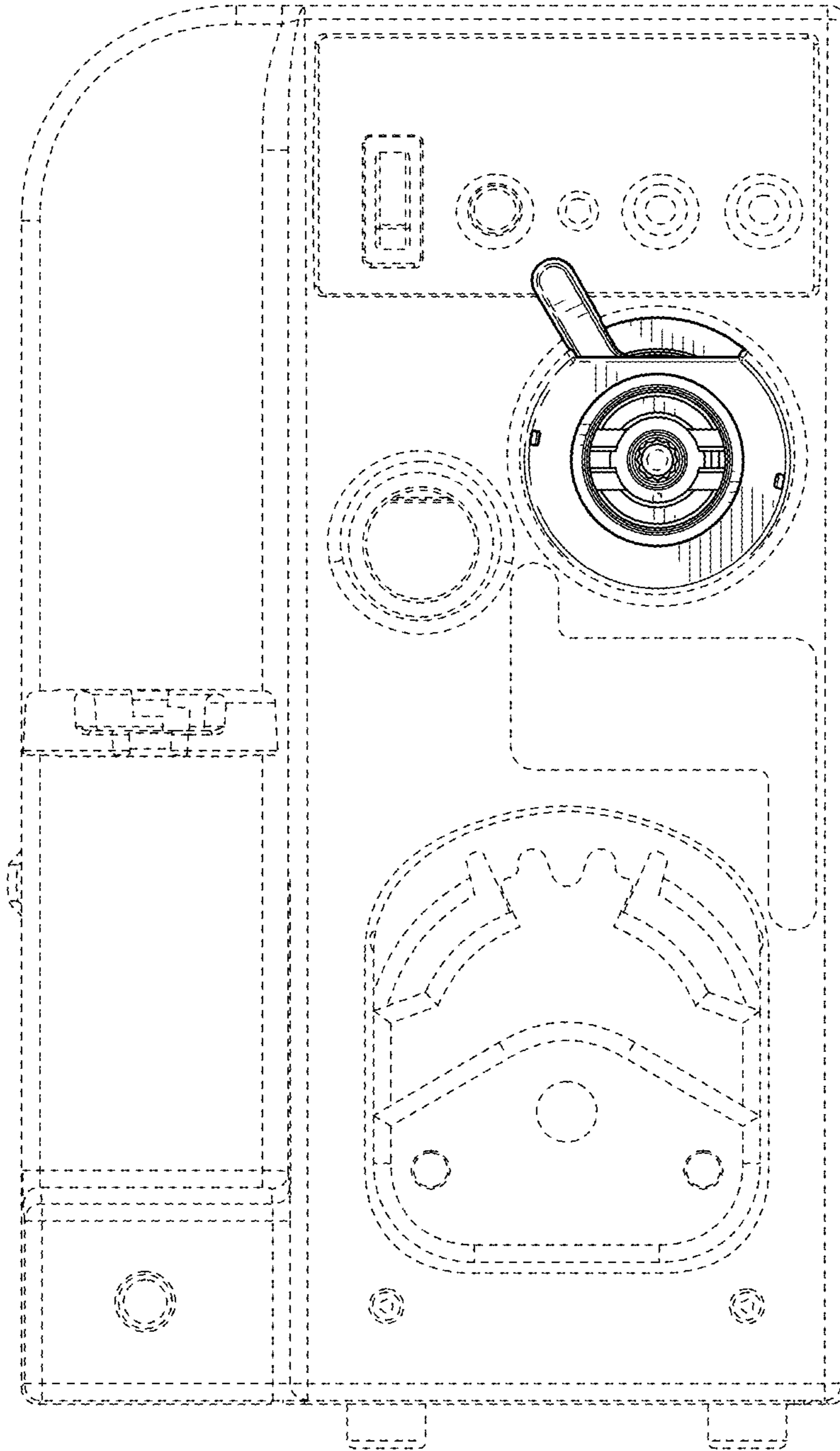


FIG. 2

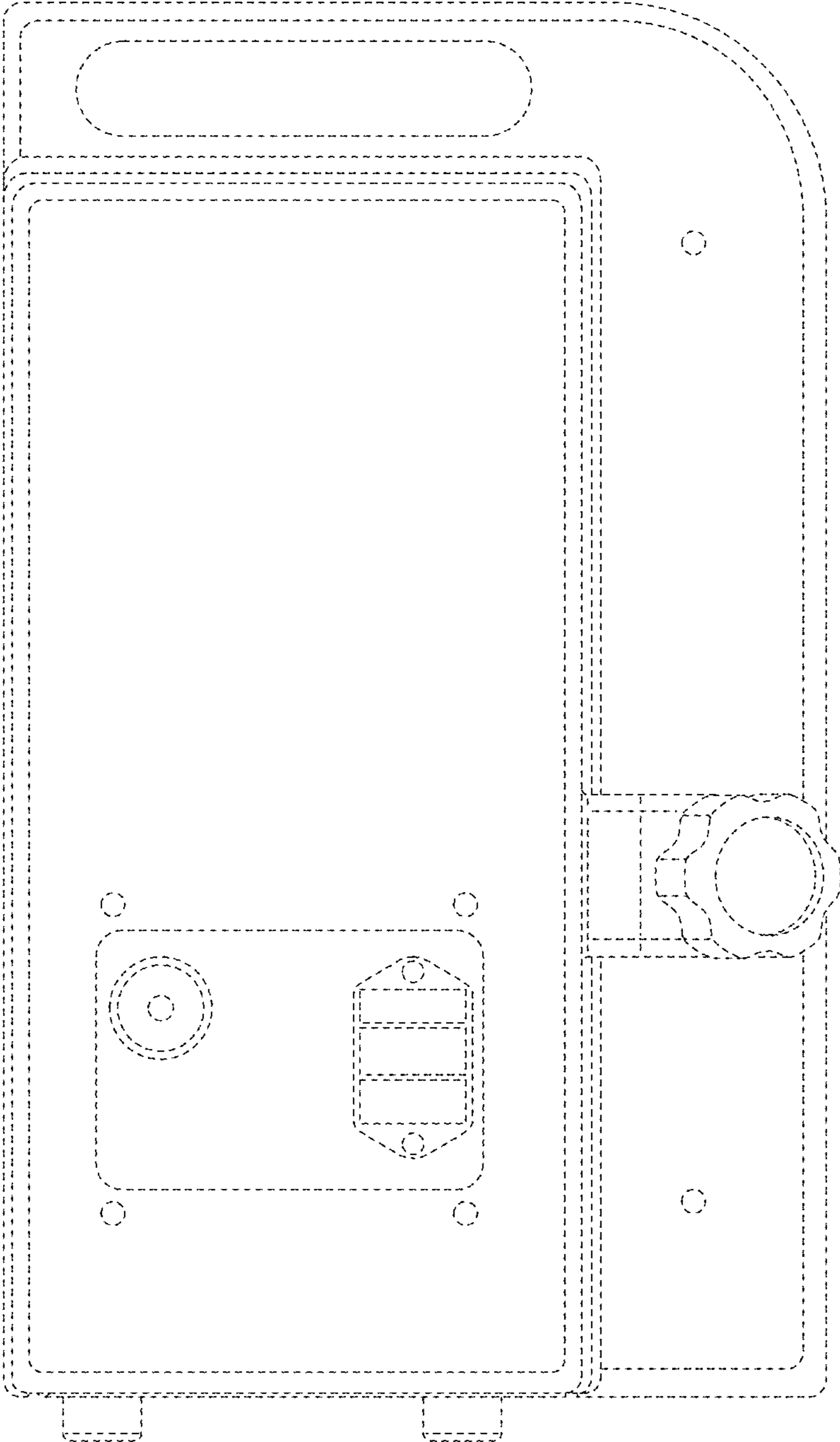


FIG. 3



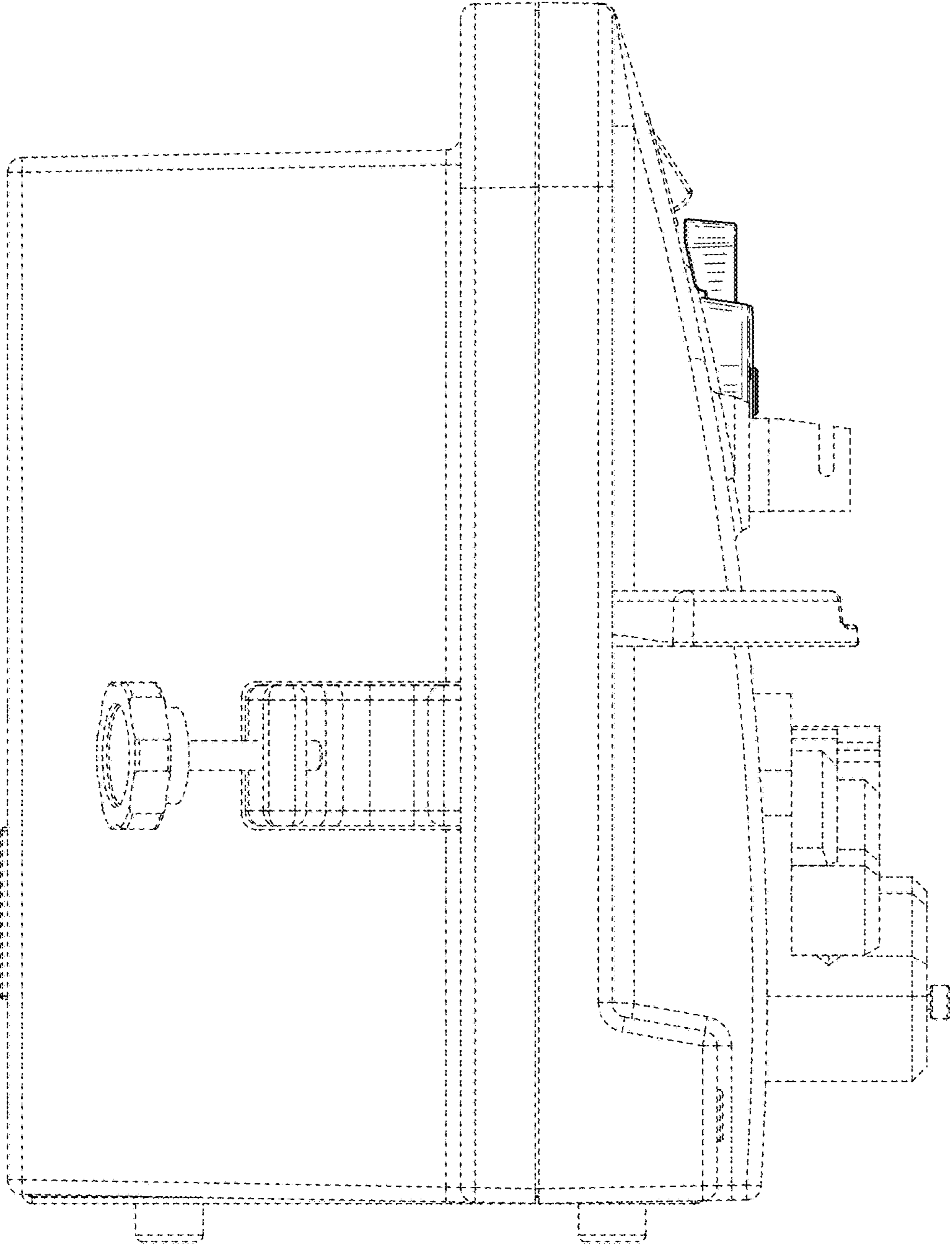


FIG. 4

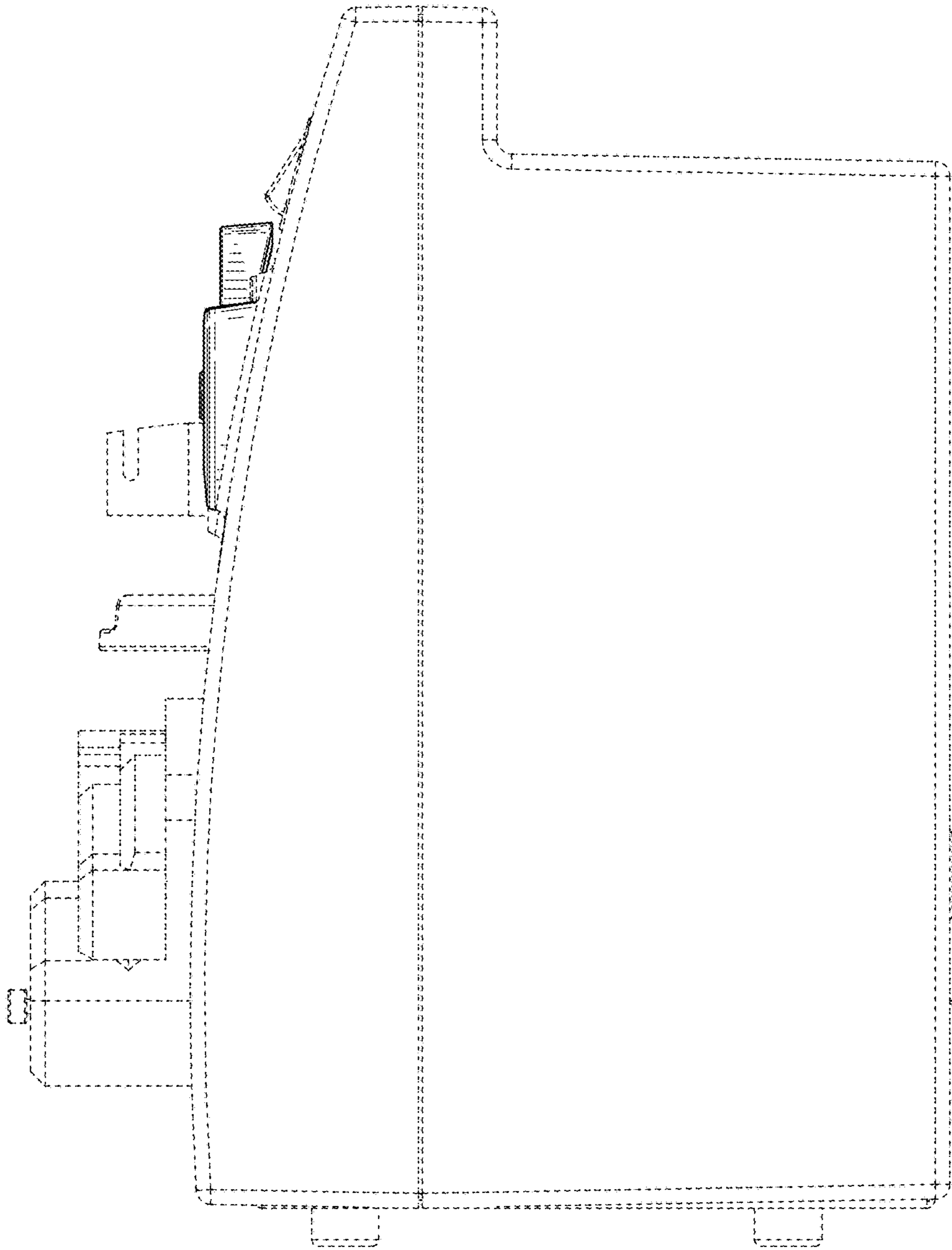


FIG. 5



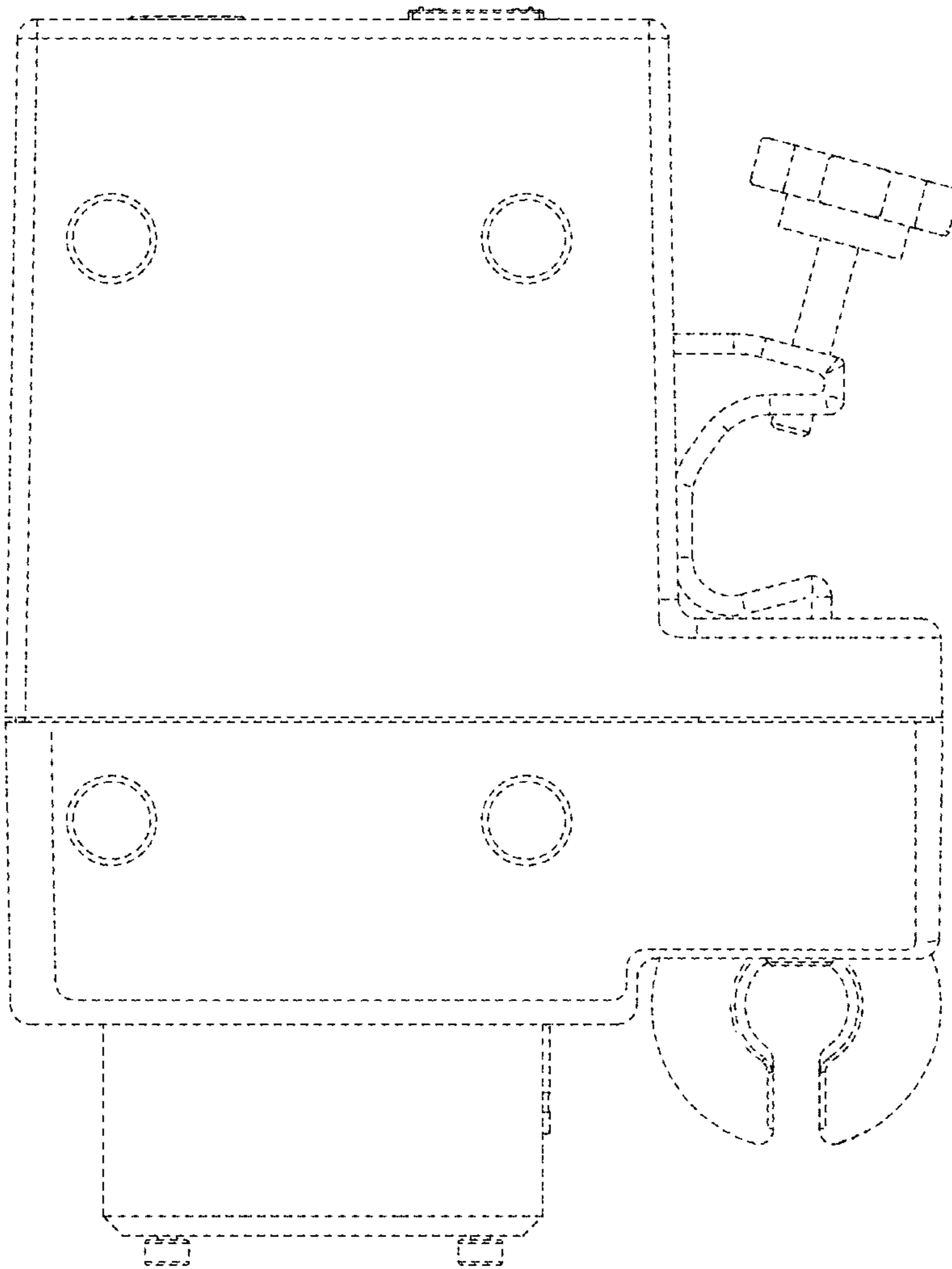


FIG. 7