



US00D821580S

(12) **United States Design Patent**  
**Elam et al.**

(10) **Patent No.:** **US D821,580 S**  
(45) **Date of Patent:** **\*\* Jun. 26, 2018**

(54) **TIP**

(71) Applicant: **Perimetrics, LLC**, Los Angeles, CA (US)  
(72) Inventors: **John Michael Elam**, Woodland Hills, CA (US); **Lance Gordon Hussey**, Thousand Oaks, CA (US); **Shushuo Wu**, Rancho Santa Margarita, CA (US); **Jungwoo Choi**, Woodland Hills, CA (US)

(73) Assignee: **Perimetrics, LLC**, Los Angeles, CA (US)

(\*\*) Term: **15 Years**

(21) Appl. No.: **29/589,455**

(22) Filed: **Dec. 30, 2016**

(51) **LOC (11) Cl.** ..... **24-02**

(52) **U.S. Cl.**  
USPC ..... **D24/152**

(58) **Field of Classification Search**  
USPC ..... D24/152, 176, 111-113, 127, 146-147  
CPC .... A61C 1/00; A61C 1/10; A61C 1/12; A61C 1/18; A61C 3/00; A61C 3/03; A61C 17/005; A61C 17/0202

See application file for complete search history.

(56) **References Cited**

U.S. PATENT DOCUMENTS

2,629,172 A *	2/1953	Keiger .....	A61C 5/00 D24/152
D219,979 S *	2/1971	Coss .....	D24/146
D616,101 S *	5/2010	Chronister .....	A61C 17/005 D24/176
D648,438 S *	11/2011	Chronister .....	D24/176
D700,330 S *	2/2014	Way .....	D24/152
2016/0081766 A1 *	3/2016	Wilson .....	A61C 1/12 433/125

\* cited by examiner

*Primary Examiner* — Wan Laymon

(74) *Attorney, Agent, or Firm* — Quan & Associates;  
Nancy N. Quan; Christopher Quan

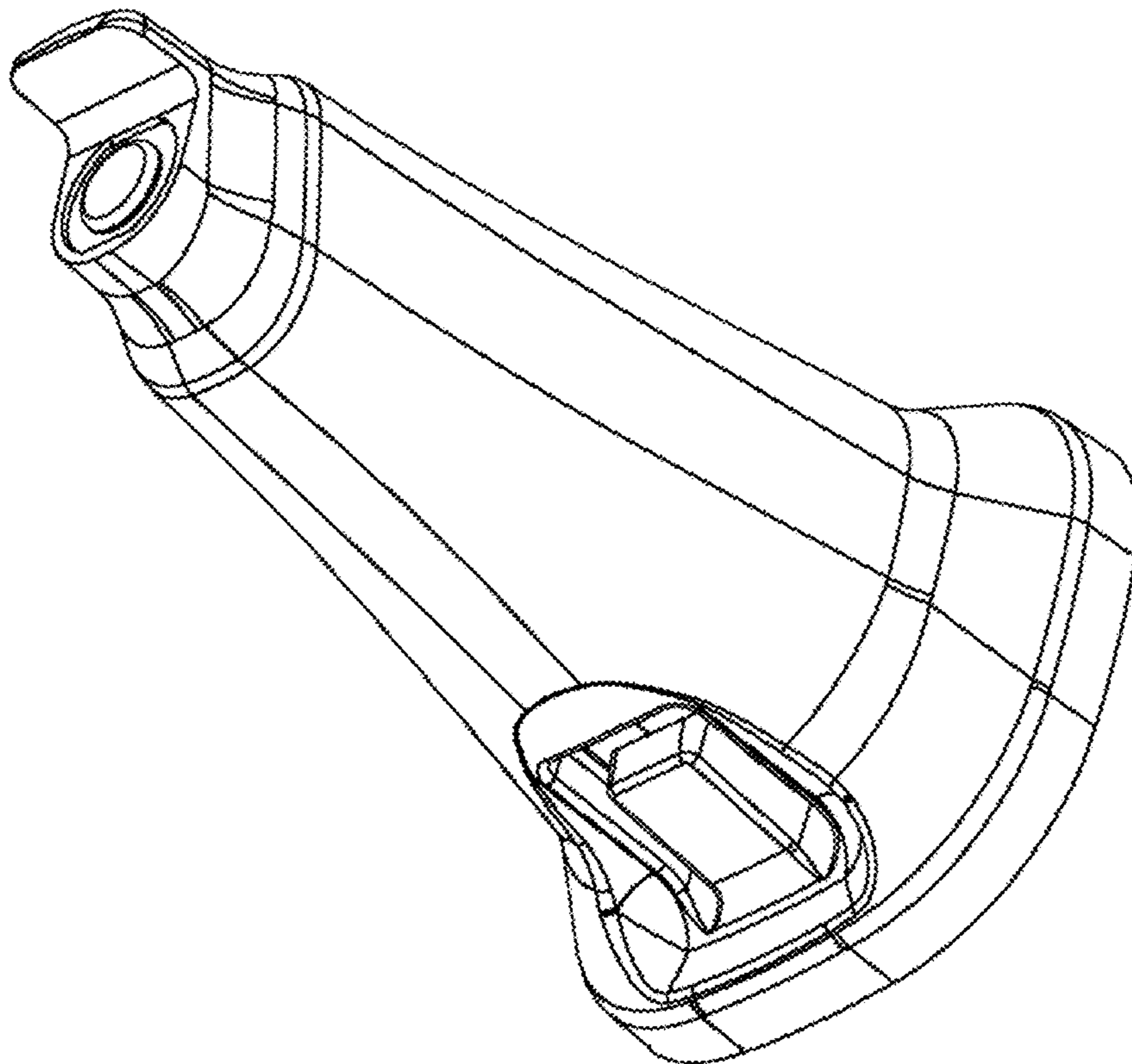
(57) **CLAIM**

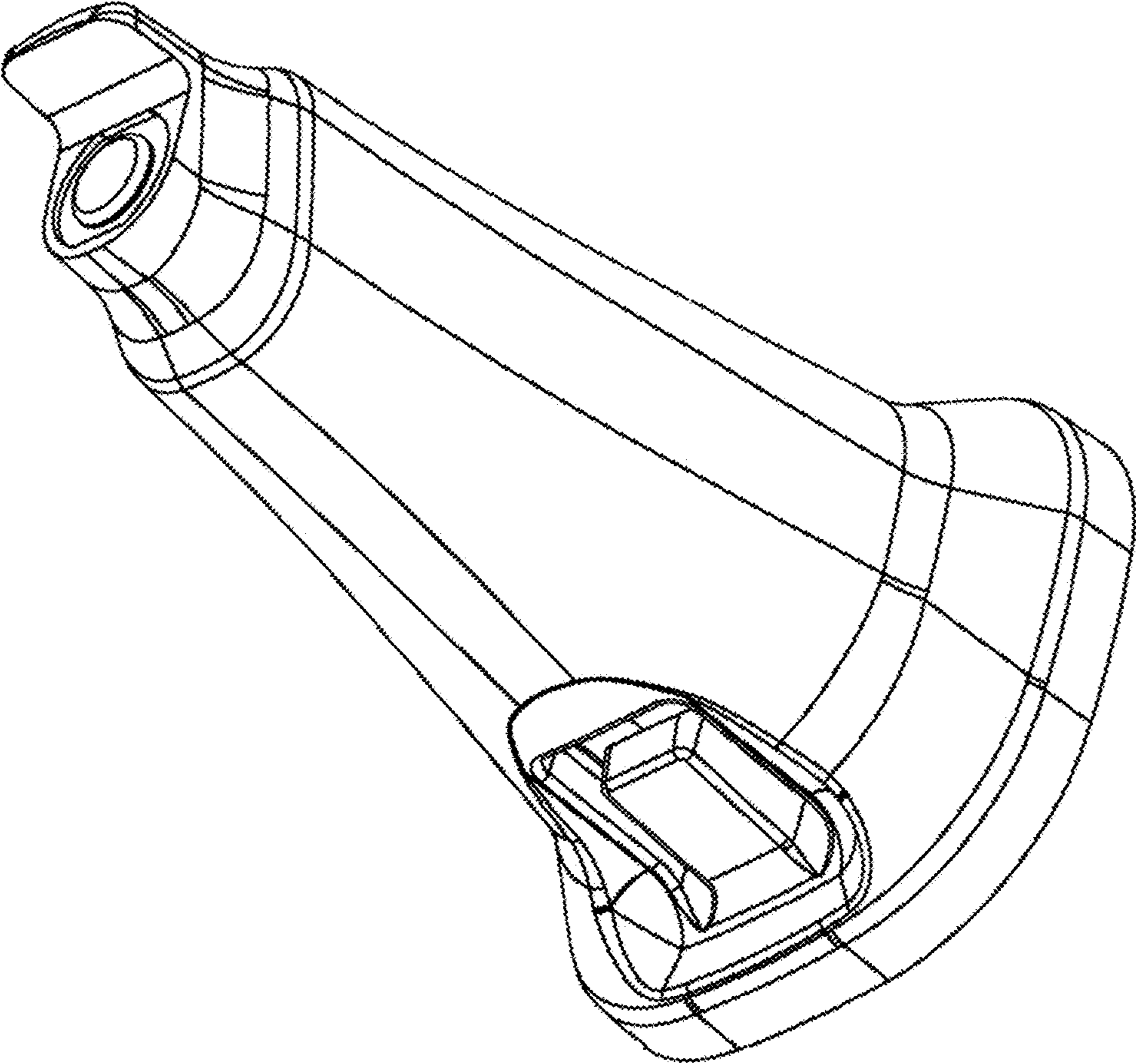
The ornamental design for a tip, as shown and described.

**DESCRIPTION**

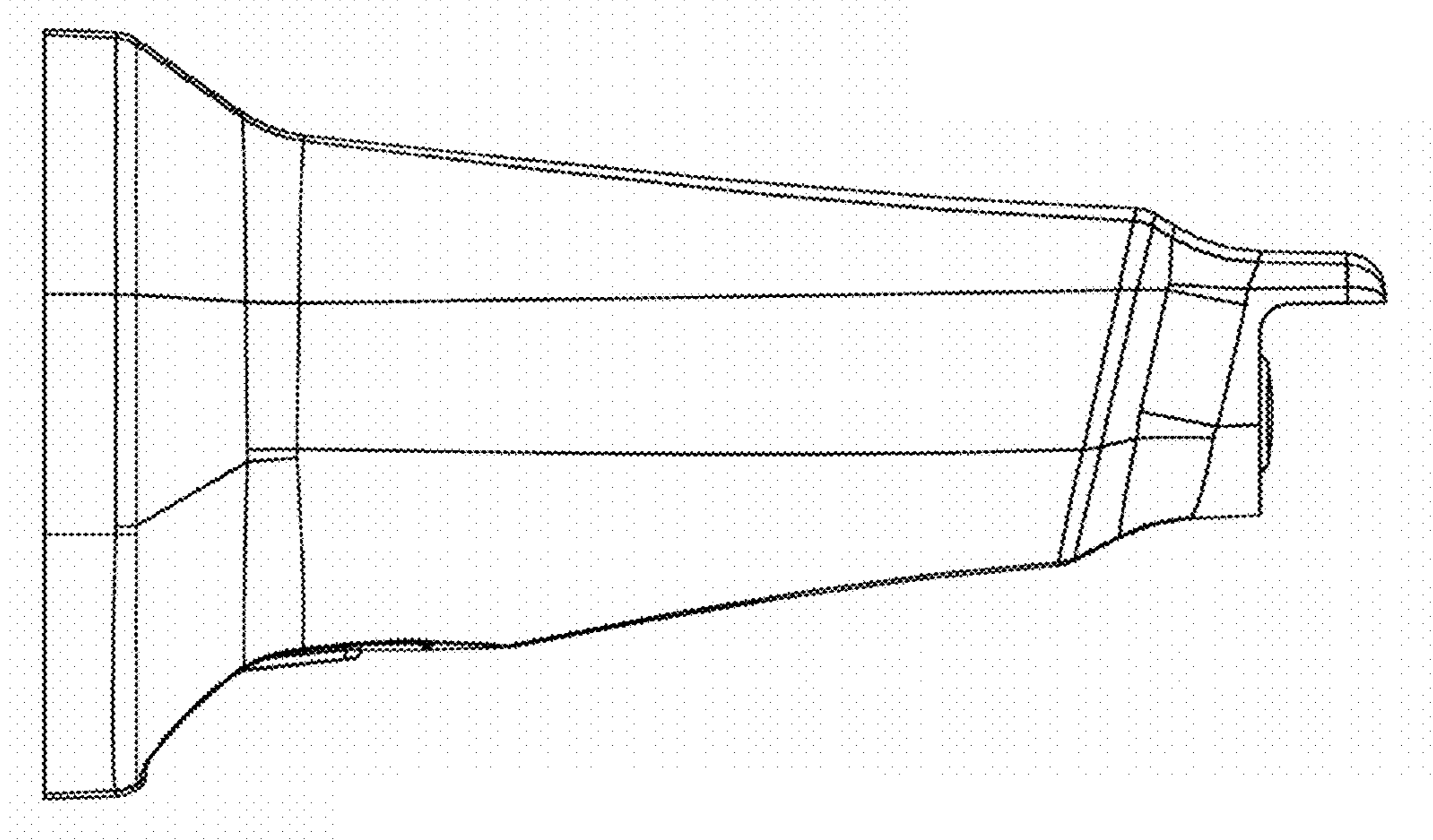
FIG. 1 is a front bottom perspective view of a tip embodying our new design;  
FIG. 2 is a right side view thereof;  
FIG. 3 is a left side view thereof;  
FIG. 4 is a reduced top view thereof;  
FIG. 5 is a reduced bottom view thereof;  
FIG. 6 is a reduced front view thereof; and,  
FIG. 7 is a front top perspective view thereof.

**1 Claim, 4 Drawing Sheets**

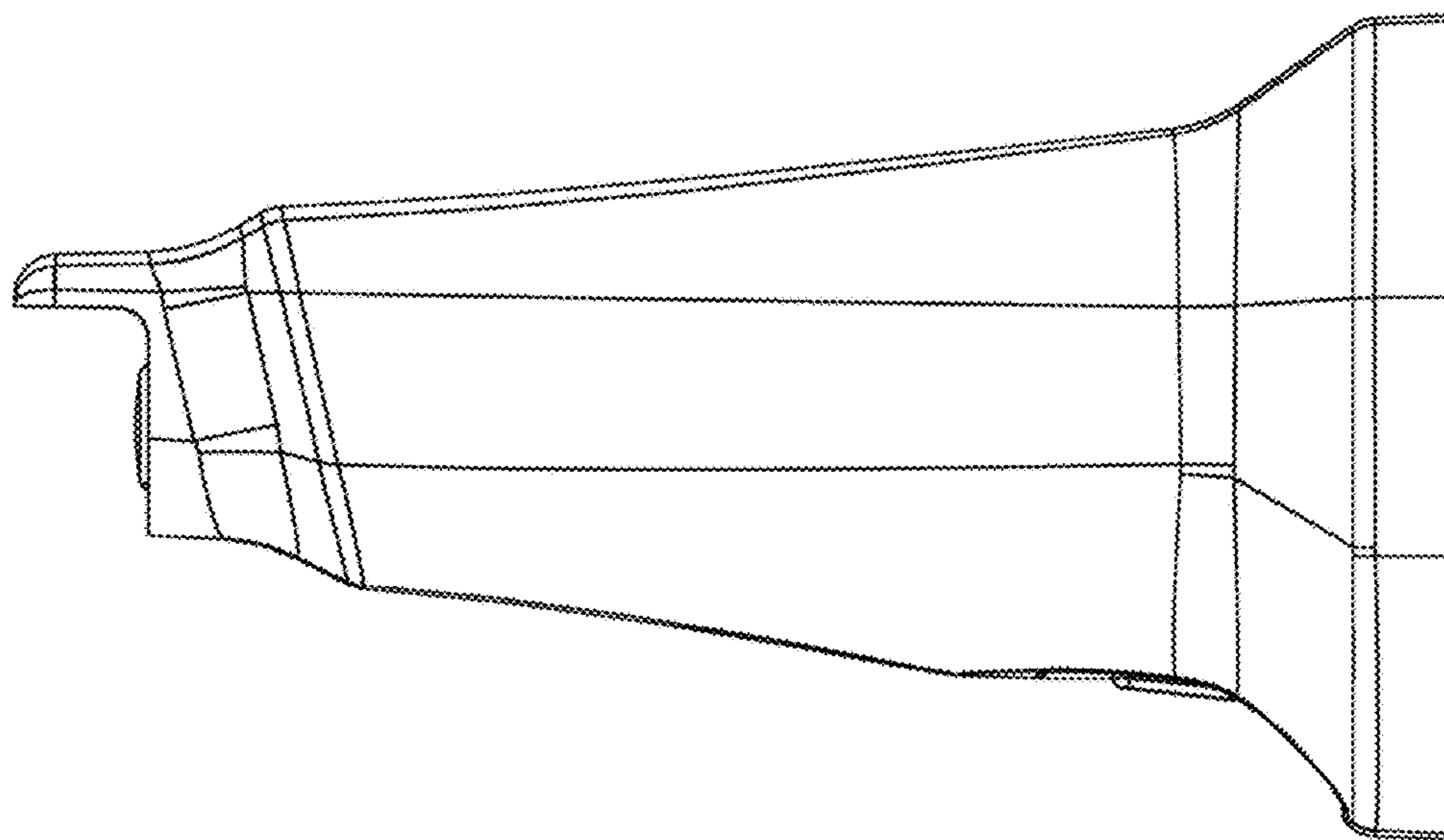




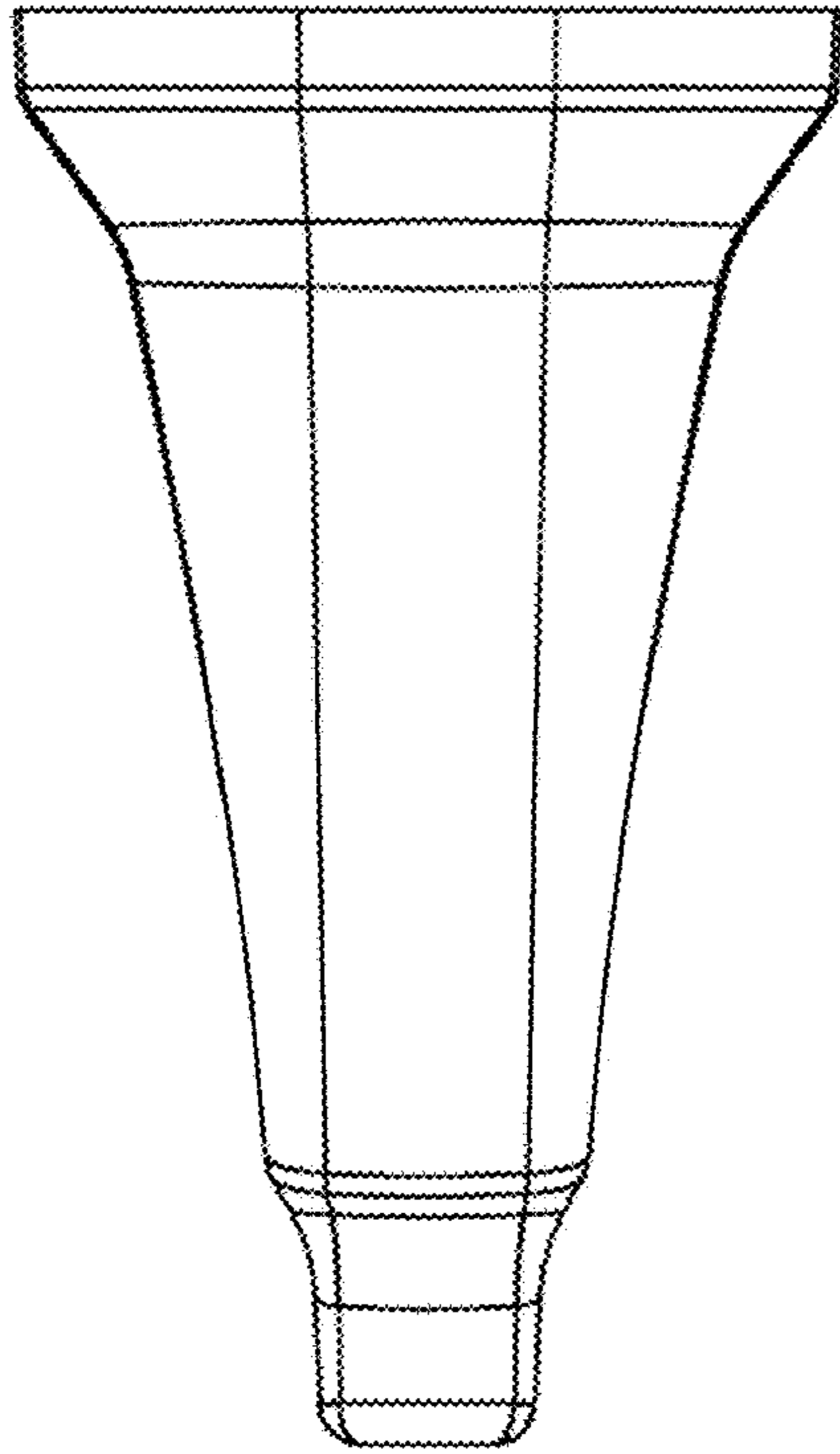
*Fig.1.*



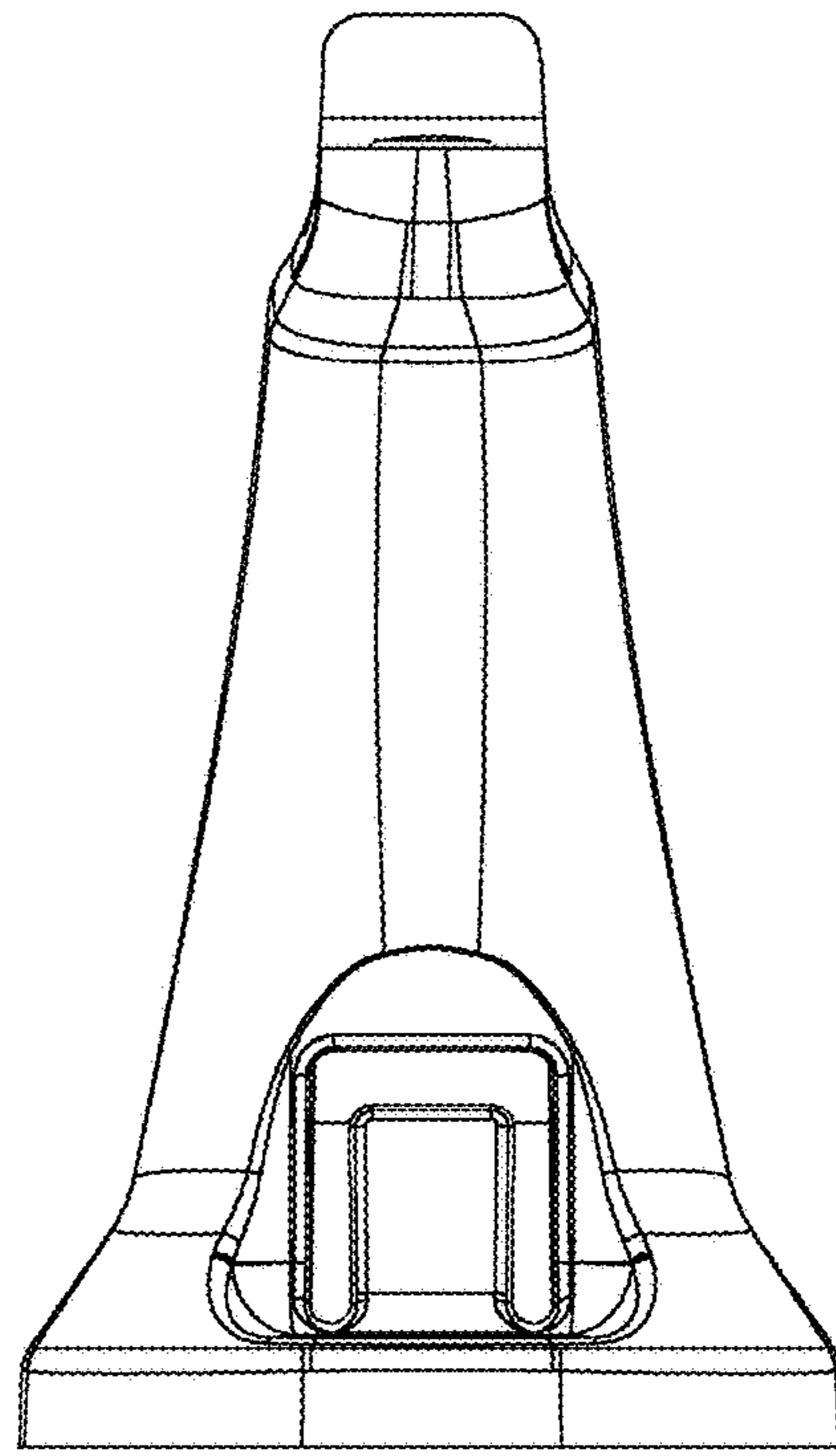
*Fig. 2.*



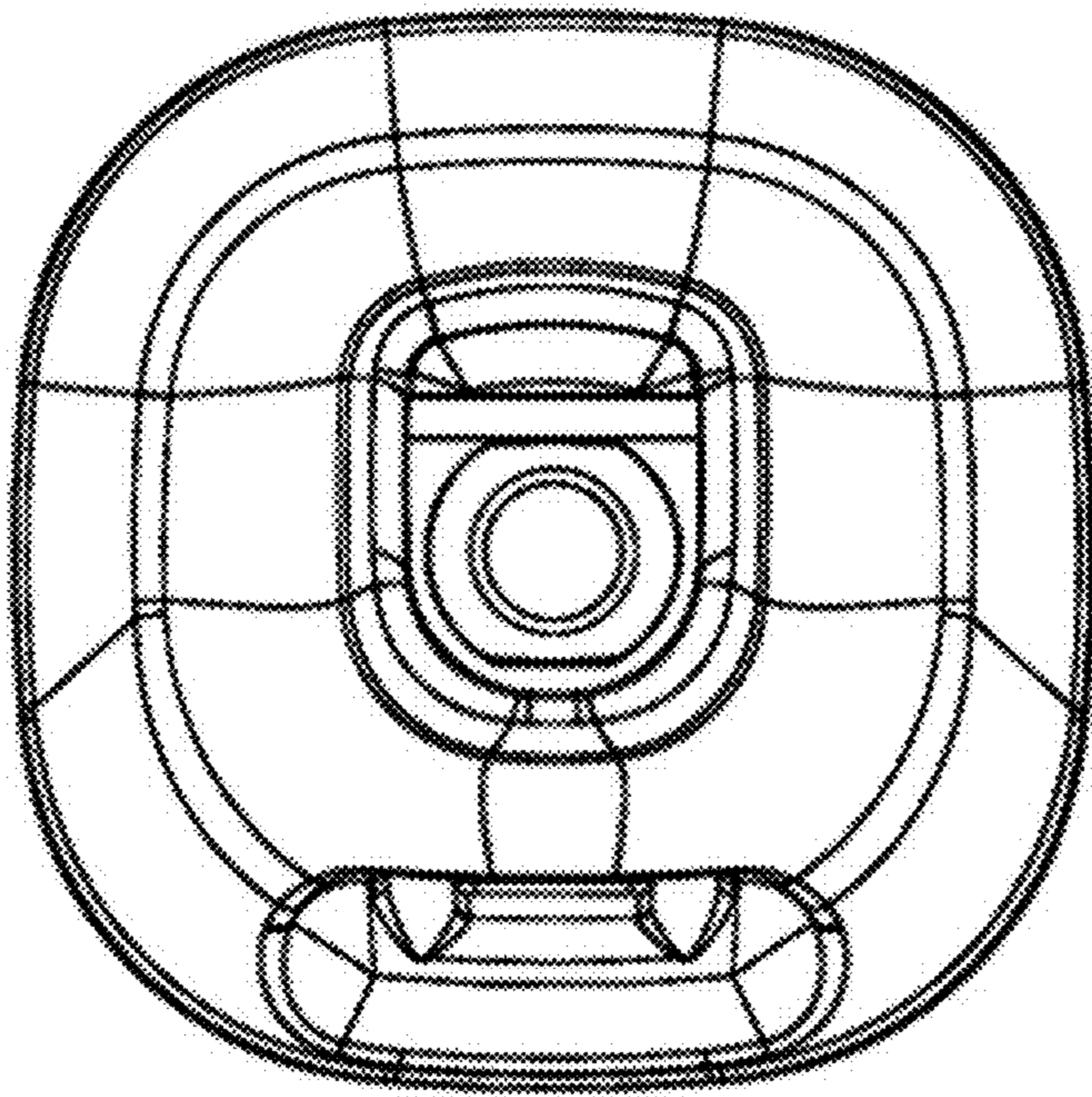
*Fig. 3.*



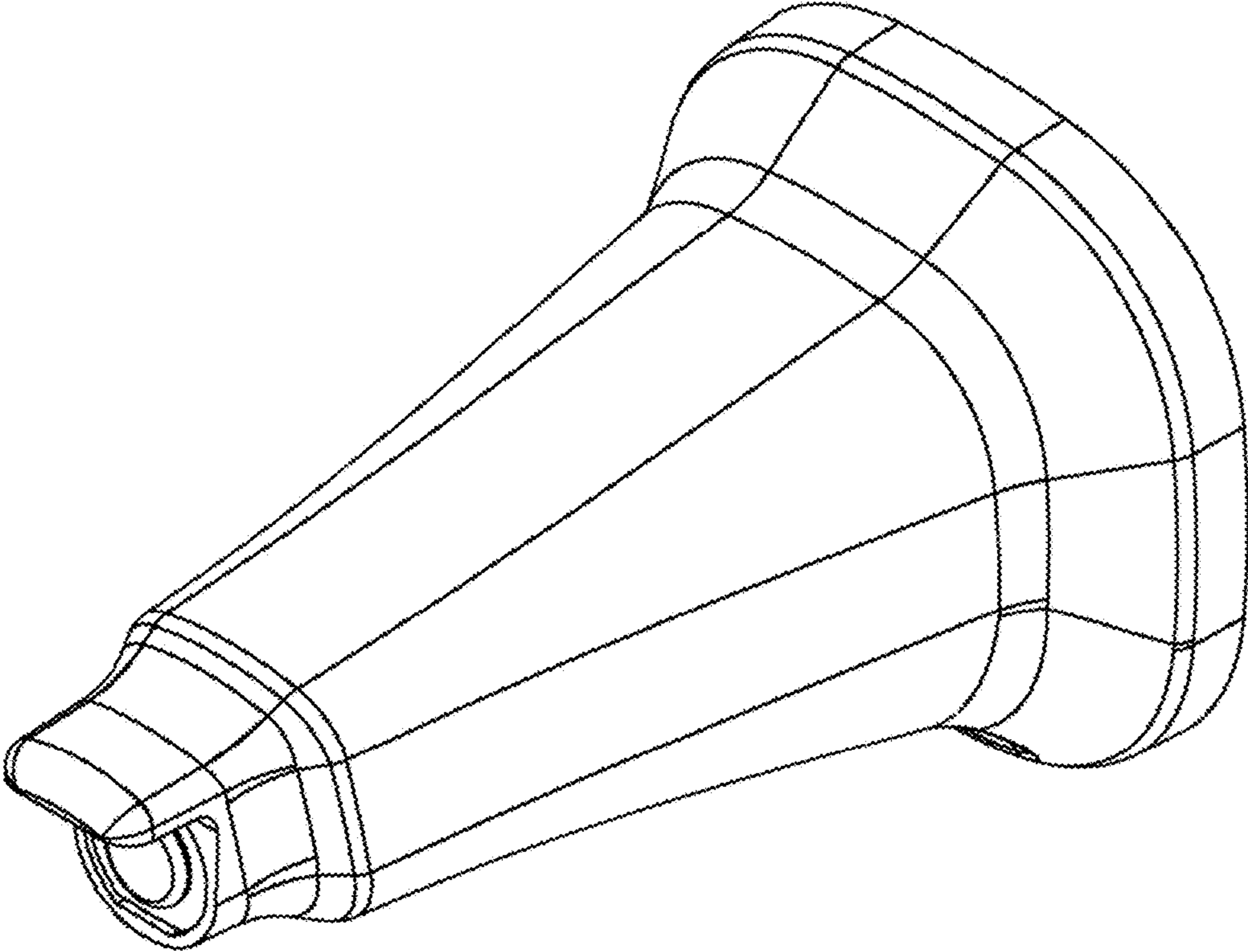
*Fig. 4.*



*Fig. 5.*



*Fig. 6.*



*Fig. 7.*