

US00D821575S

(12) **United States Design Patent**
Harding et al.

(10) **Patent No.:** **US D821,575 S**
(45) **Date of Patent:** **** Jun. 26, 2018**

(54) **NEEDLE COVER**

(71) Applicant: **Becton, Dickinson and Company**,
Franklin Lakes, NJ (US)
(72) Inventors: **Weston Harding**, Lehi, UT (US);
Stephen Bornhoft, Sandy, UT (US);
Curt Bingham, Hyde Park, UT (US)
(73) Assignee: **Becton, Dickinson and Company**,
Franklin Lakes, NJ (US)

D592,302 S 5/2009 Stokes et al.
8,235,945 B2 8/2012 Baid
D724,199 S * 3/2015 Bambot D24/112
D751,699 S * 3/2016 Mills D24/127
D758,568 S * 6/2016 Wohlfahrt D24/113
D777,324 S * 1/2017 Nguyen D24/127
D784,523 S * 4/2017 Kearns D24/127
D789,528 S * 6/2017 Wohlfahrt D24/130
D796,025 S * 8/2017 Lo D24/108
D797,281 S * 9/2017 Ohashi D24/130
D802,748 S * 11/2017 Mills D24/112
2014/0364809 A1 12/2014 Isaacson et al.

(**) Term: **15 Years**

(21) Appl. No.: **29/591,958**

(22) Filed: **Jan. 25, 2017**

(51) **LOC (11) Cl.** **24-02**

(52) **U.S. Cl.**
USPC **D24/130**

(58) **Field of Classification Search**
USPC D24/127-131, 112-114, 133, 186;
606/181, 185; 604/264, 523-528, 272,
604/187, 158, 164.01-164.11, 181, 184,
604/227; 600/101, 139, 143;
128/200.24, 207.14, 207.15
CPC A61M 5/178; A61M 3/00; A61M 5/20;
A61M 5/31; A61M 5/3146; A61M
5/3129; A61M 5/3148; A61M 5/315
See application file for complete search history.

(56) **References Cited**

U.S. PATENT DOCUMENTS

D353,456 S * 12/1994 Fayngold D24/128
5,501,674 A 3/1996 Trombley, III et al.
D381,418 S 7/1997 Erskine et al.
D381,422 S 7/1997 Erskine et al.
D433,505 S * 11/2000 Crawford D24/130
D452,311 S * 12/2001 Guala D24/112
D460,182 S * 7/2002 Swenson D24/108

FOREIGN PATENT DOCUMENTS

WO WO-02068022 A1 9/2002
WO WO-2010061405 A2 6/2010

* cited by examiner

Primary Examiner — David Muller

(74) *Attorney, Agent, or Firm* — Dickinson Wright PLLC

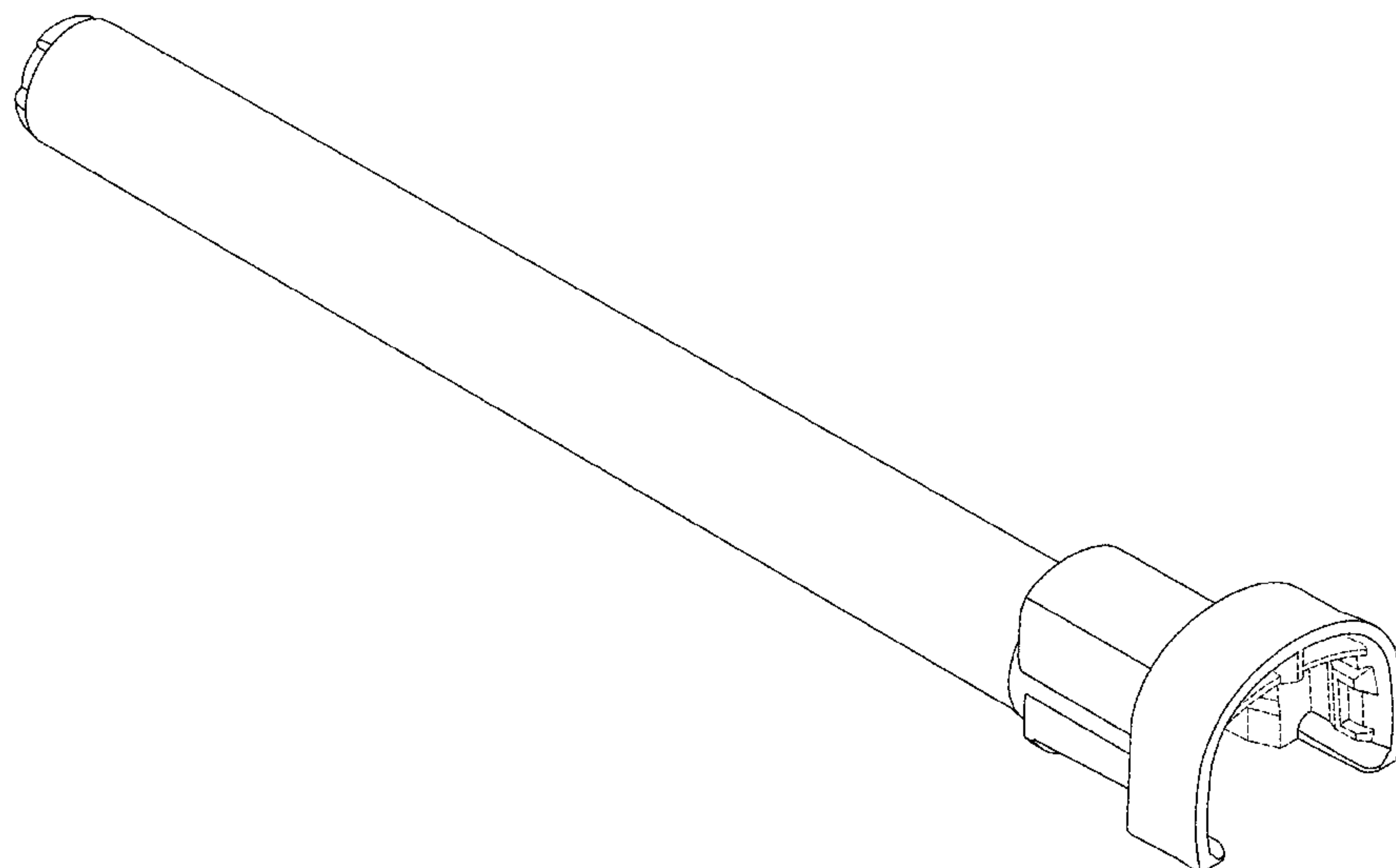
(57) **CLAIM**

The ornamental design for a needle cover, as shown and described.

DESCRIPTION

FIG. 1 is a top front perspective view of a needle cover embodying our new design;
FIG. 2 is a bottom perspective view thereof;
FIG. 3 is a top rear perspective view thereof;
FIG. 4 is a top plan view thereof;
FIG. 5 is a side elevation view thereof;
FIG. 6 is an opposite side elevation view thereof;
FIG. 7 is a bottom plan view thereof;
FIG. 8 is a front elevation view thereof; and,
FIG. 9 is a rear elevation view thereof.
The broken lines in the drawings represent portions of the needle cover that form no part of the claimed design.

1 Claim, 6 Drawing Sheets



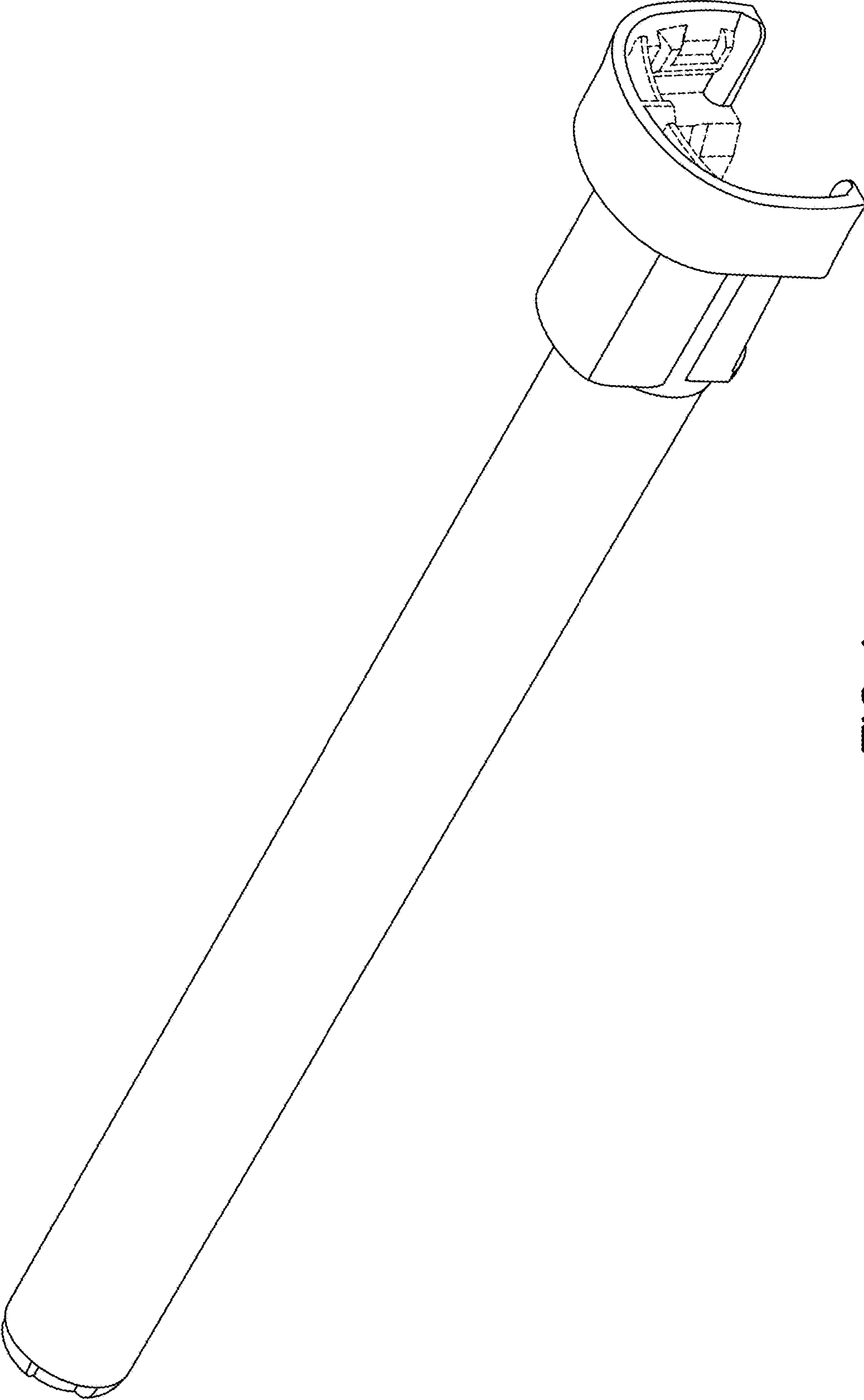


FIG.1

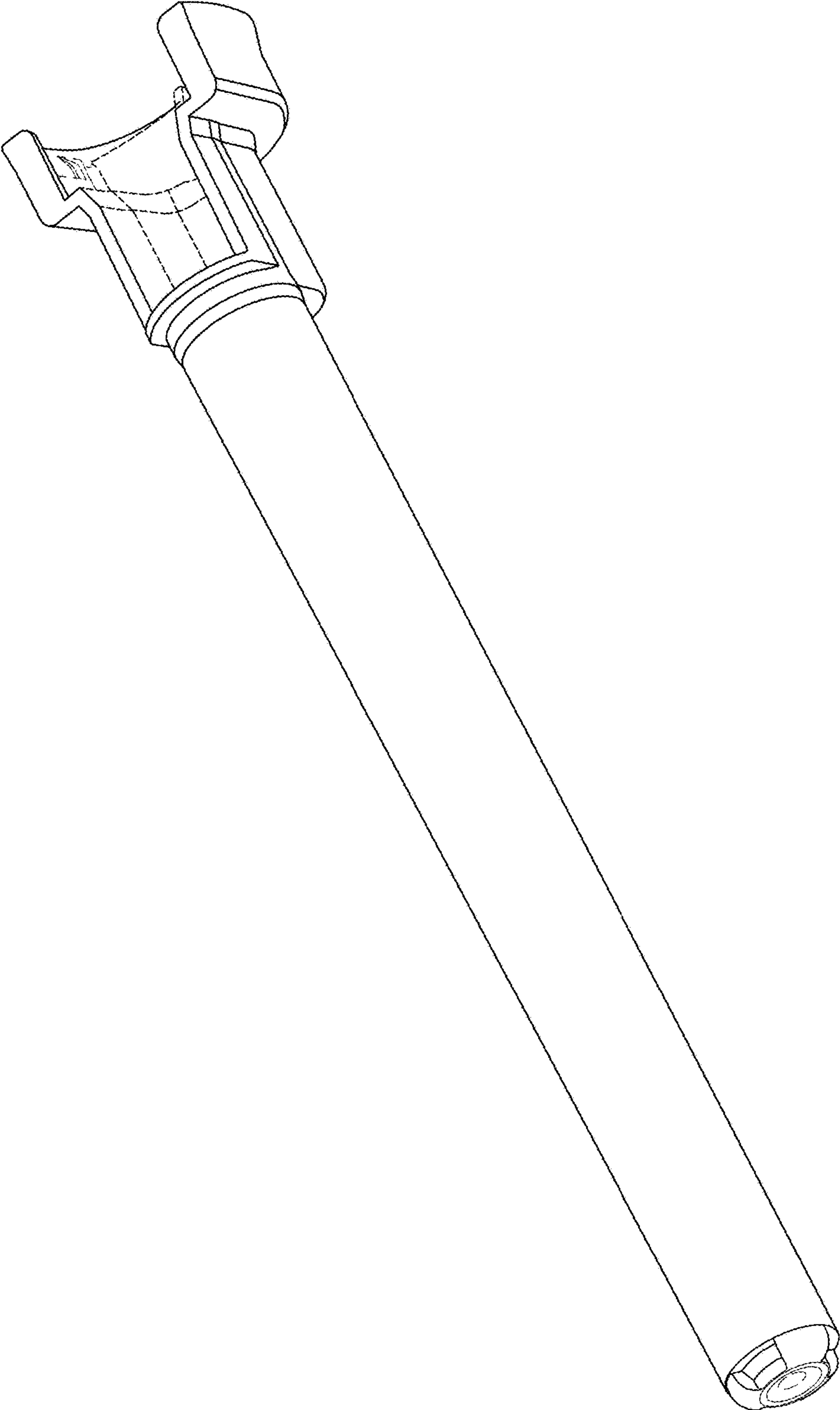


FIG.2

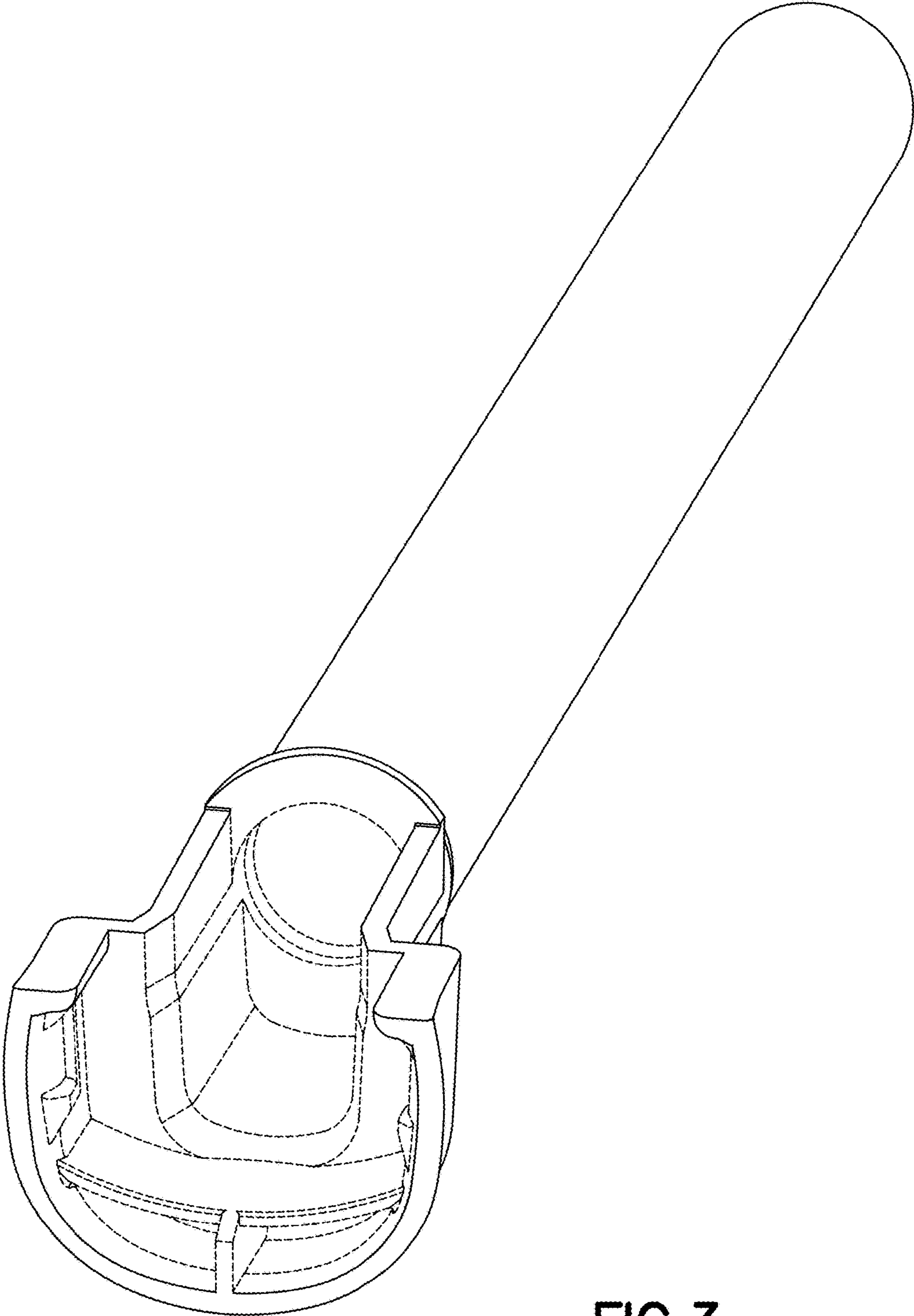


FIG.3

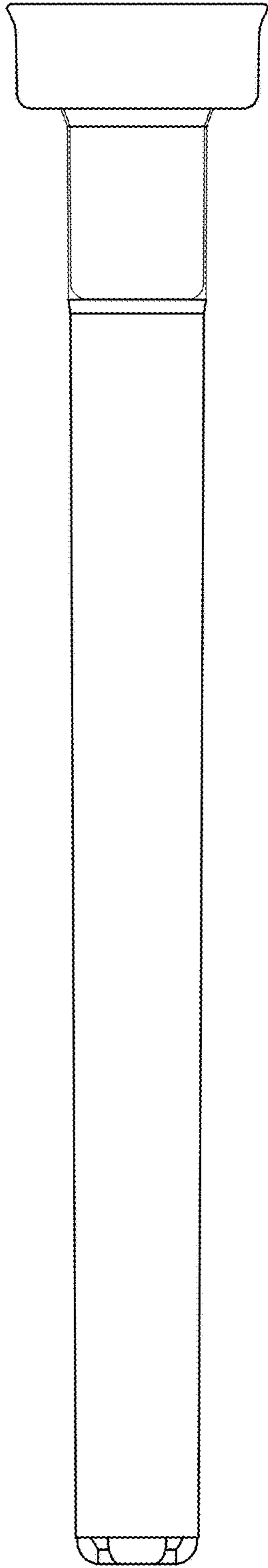


FIG. 4

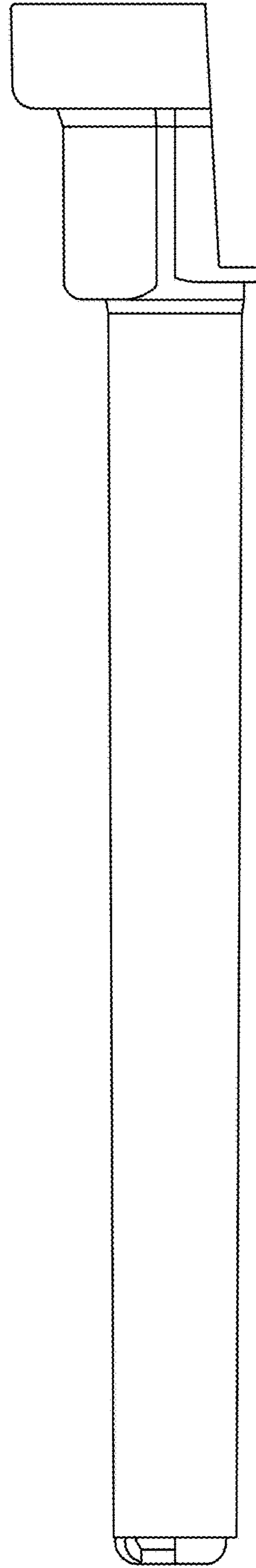


FIG. 5

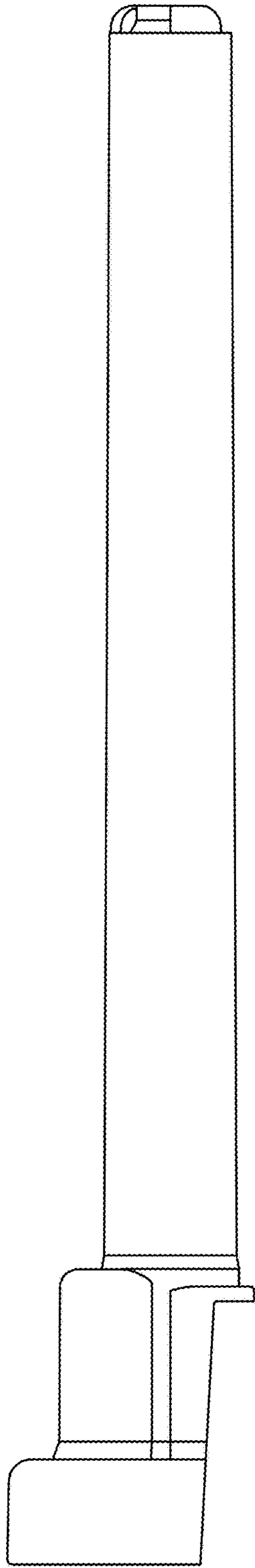


FIG. 6

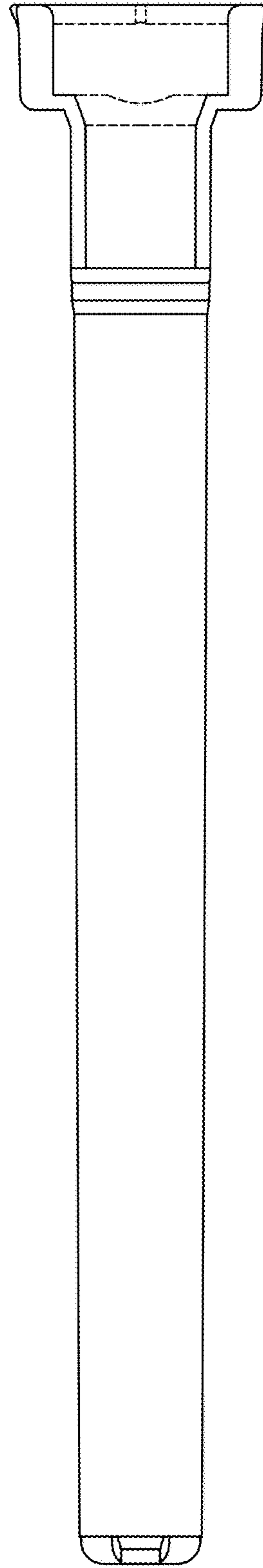


FIG. 7

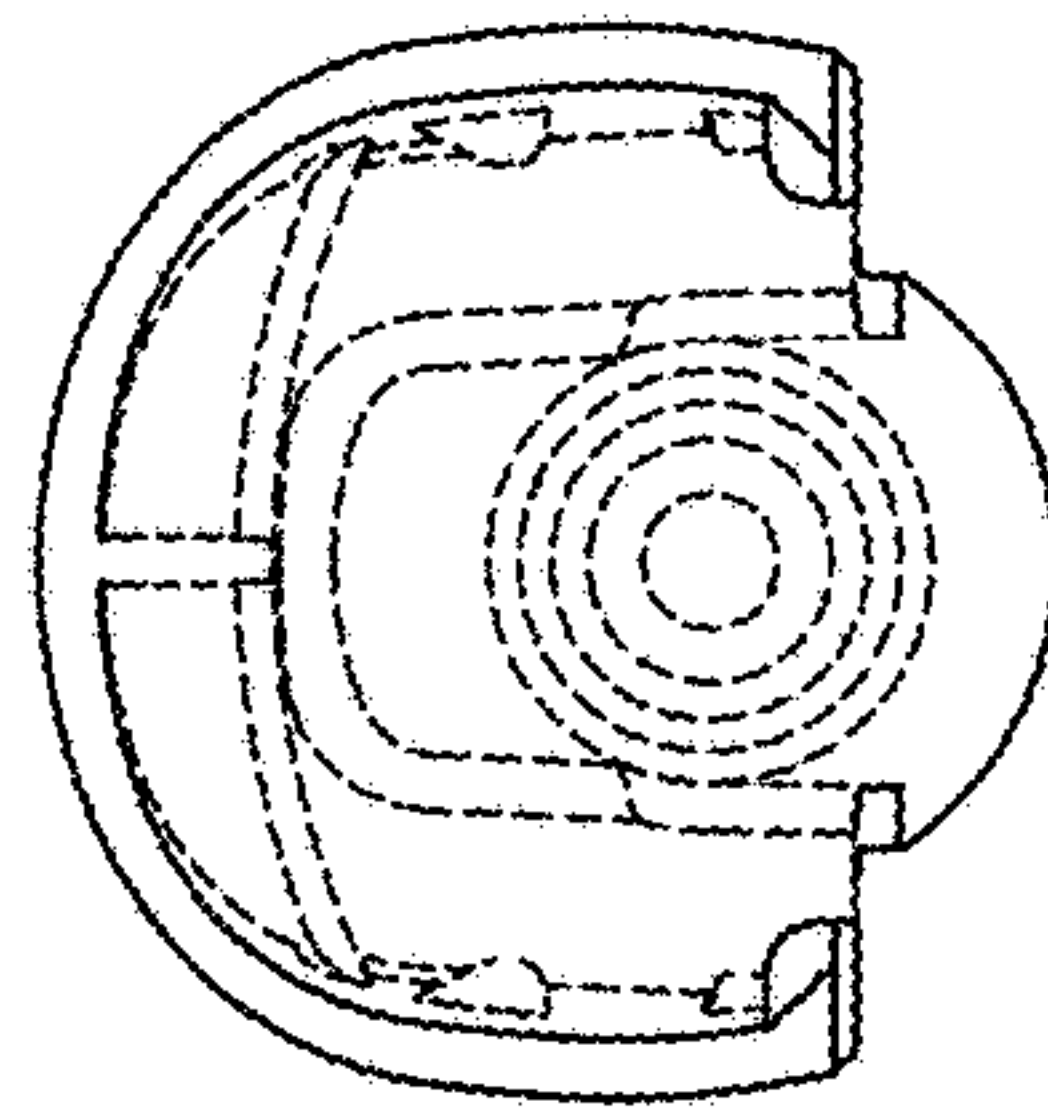


FIG. 9

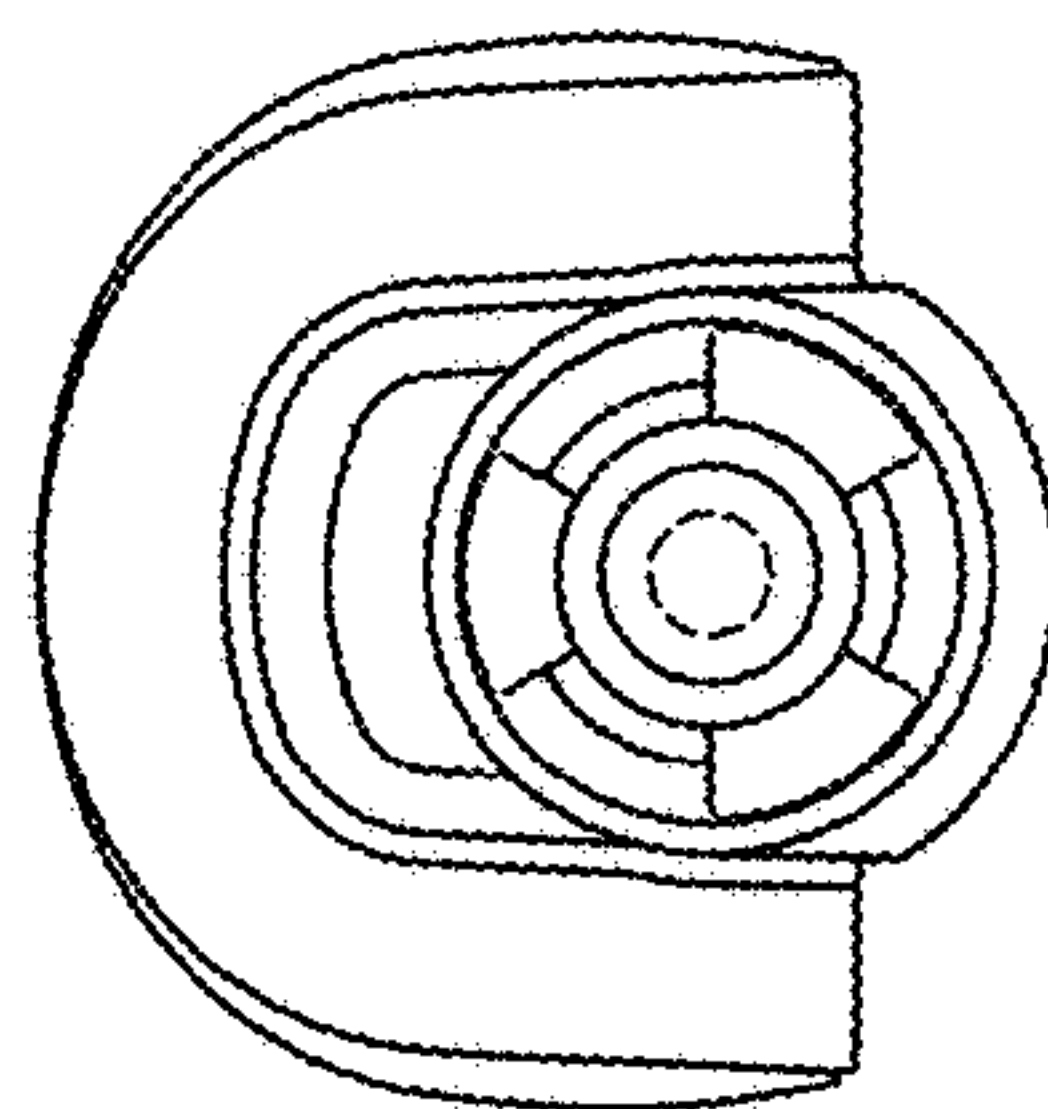


FIG. 8