

US00D821574S

(12) **United States Design Patent** (10) **Patent No.:** **US D821,574 S**
Harding et al. (45) **Date of Patent:** **** Jun. 26, 2018**

(54) **NEEDLE HUB**
(71) Applicant: **Becton, Dickinson and Company**,
Franklin Lakes, NJ (US)
(72) Inventors: **Weston Harding**, Lehi, UT (US);
Stephen Bornhoft, Sandy, UT (US);
Siddarth Shevgoor, Laguna Beach, CA
(US); **Curt Bingham**, Hyde Park, UT
(US)
(73) Assignee: **Becton, Dickinson and Company**,
Franklin Lakes, NJ (US)
(**) Term: **15 Years**

D460,551 S * 7/2002 Swenson D24/108
D492,031 S 6/2004 Cindrich et al.
6,749,588 B1 6/2004 Howell et al.
D592,302 S 5/2009 Stokes et al.
7,530,965 B2 5/2009 Villa et al.
RE40,755 E * 6/2009 McWethy D24/130
D604,839 S * 11/2009 Crawford D24/130
D605,287 S * 12/2009 Crawford D24/130
7,658,725 B2 * 2/2010 Bialecki A61M 25/0606
604/164.08
7,722,569 B2 5/2010 Soderholm et al.
8,591,467 B2 11/2013 Walker et al.
9,056,188 B2 6/2015 Hager et al.
9,095,679 B2 8/2015 Nishimura et al.
D748,777 S * 2/2016 Uenishi D24/130
D771,247 S * 11/2016 Shinohara D24/130
D777,324 S * 1/2017 Nguyen D24/127

(Continued)

(21) Appl. No.: **29/591,949**
(22) Filed: **Jan. 25, 2017**
(51) **LOC (11) Cl.** **24-02**
(52) **U.S. Cl.**
USPC **D24/130**
(58) **Field of Classification Search**
USPC D24/127-131, 112-114, 133, 186;
606/181, 185; 604/264, 523-528, 272,
604/187, 158, 164.01-164.11, 181, 184,
604/227; 600/101, 139, 143;
128/200.24, 207.14, 207.15
CPC A61M 25/00; A61M 39/00; A61M 27/00;
A61M 25/0043; A61M 25/0067; A61M
25/0097; A61F 2/958
See application file for complete search history.

FOREIGN PATENT DOCUMENTS

WO WO-2013137348 A1 9/2013
Primary Examiner — David Muller
(74) *Attorney, Agent, or Firm* — Dickinson Wright PLLC

(57) **CLAIM**

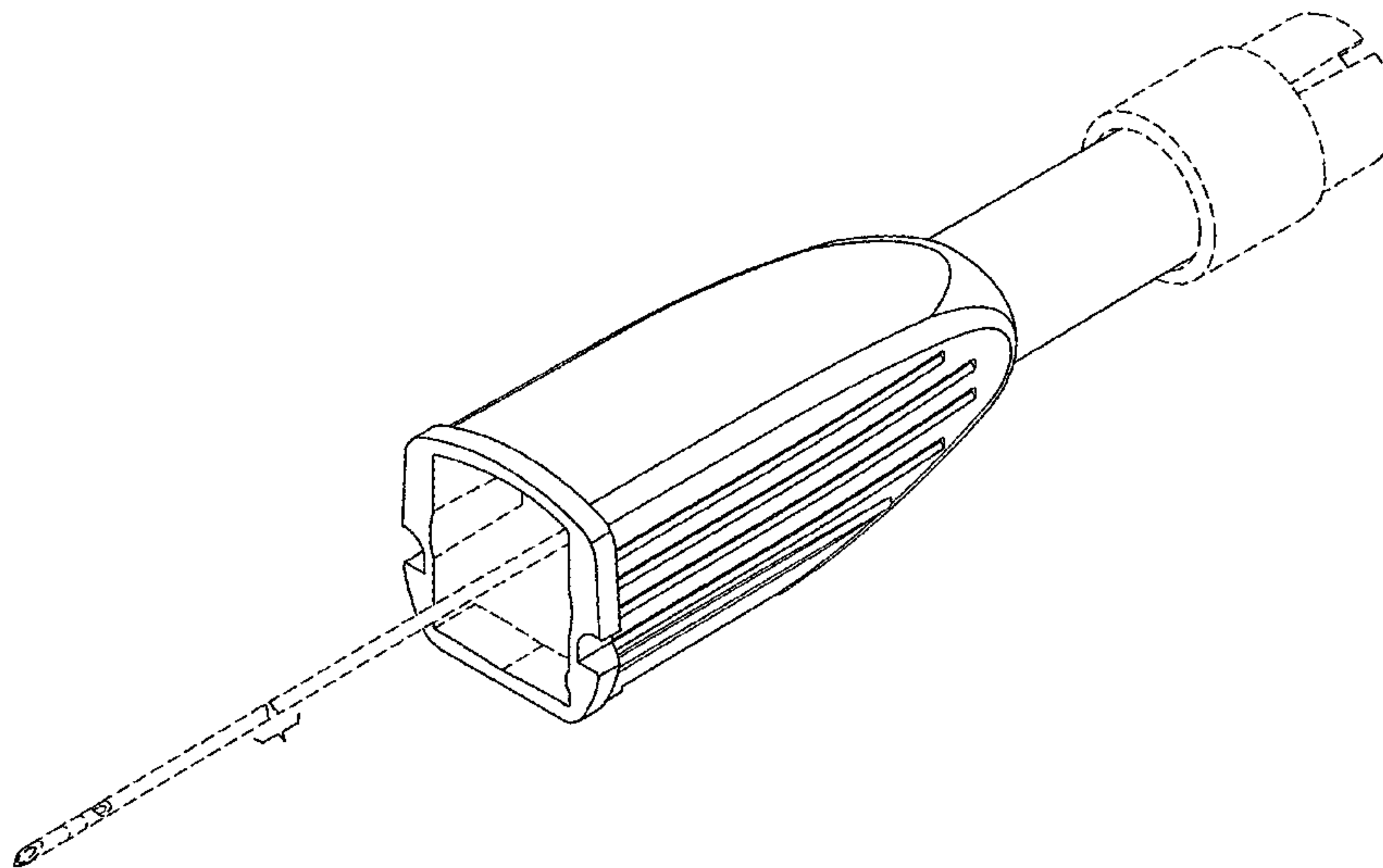
The ornamental design for a needle hub, as shown and described.

DESCRIPTION

FIG. 1 is a top perspective view of a needle hub embodying our new design;
FIG. 2 is a bottom perspective view thereof;
FIG. 3 is a top plan view thereof;
FIG. 4 is a side elevation view thereof;
FIG. 5 is an opposite side elevation view thereof;
FIG. 6 is a bottom plan view thereof;
FIG. 7 is a front elevation view thereof; and,
FIG. 8 is a rear elevation view thereof.
The broken lines in the drawings represent portions of the needle hub that form no part of the claimed design.

(56) **References Cited**
U.S. PATENT DOCUMENTS
5,713,876 A 2/1998 Bogert et al.
5,830,190 A * 11/1998 Howell A61M 25/0631
604/168.01
5,951,515 A 9/1999 Osterlind
6,004,294 A 12/1999 Brimhall et al.
D452,311 S * 12/2001 Guala D24/112

1 Claim, 5 Drawing Sheets



(56)

References Cited

U.S. PATENT DOCUMENTS

D782,035 S * 3/2017 Bainton D24/113
D800,897 S * 10/2017 Aneas D24/113
D802,748 S * 11/2017 Mills D24/112
2014/0303561 A1 10/2014 Li
2014/0364809 A1 12/2014 Isaacson et al.
2015/0238733 A1 8/2015 bin Abdulla

* cited by examiner

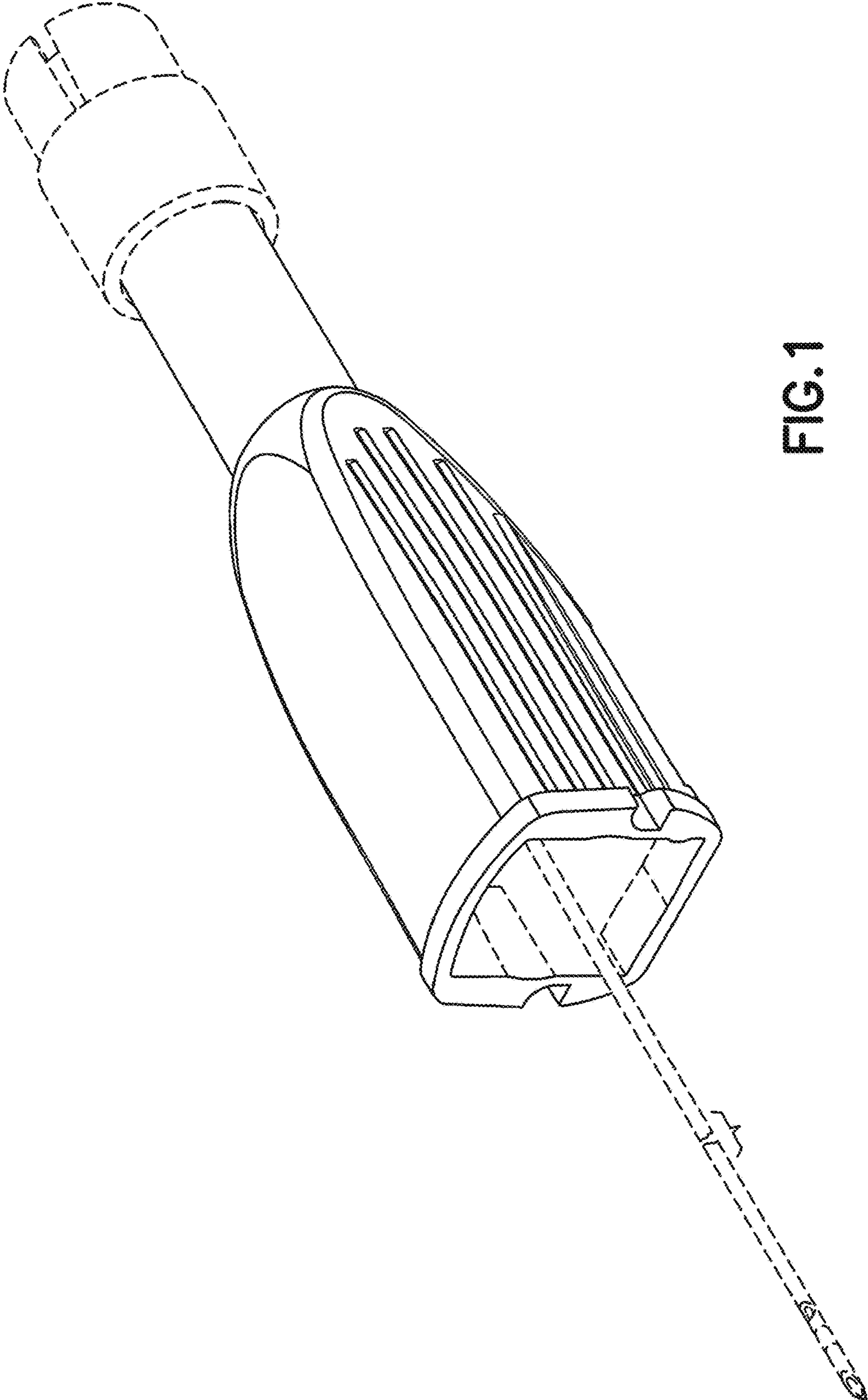


FIG. 1

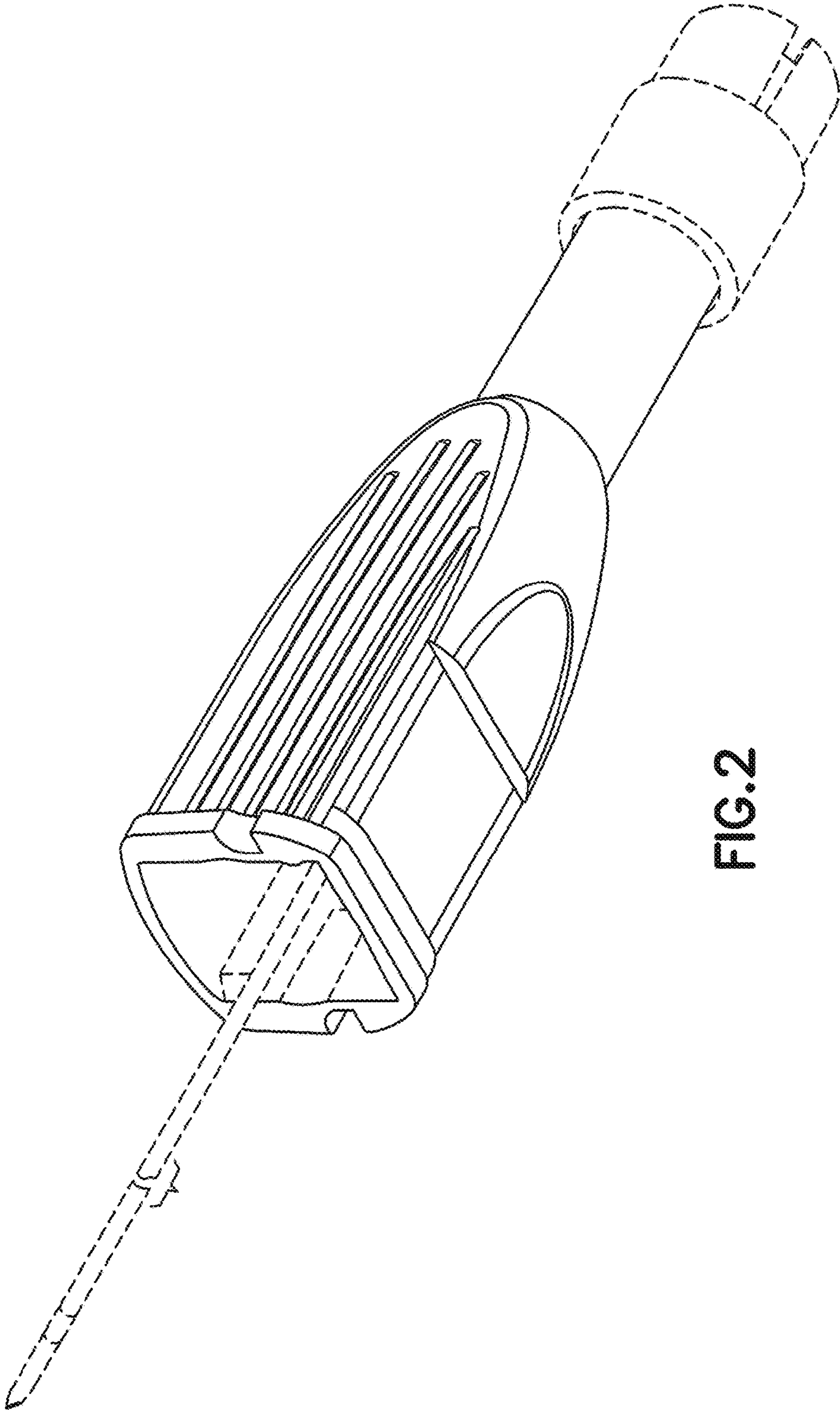


FIG.2

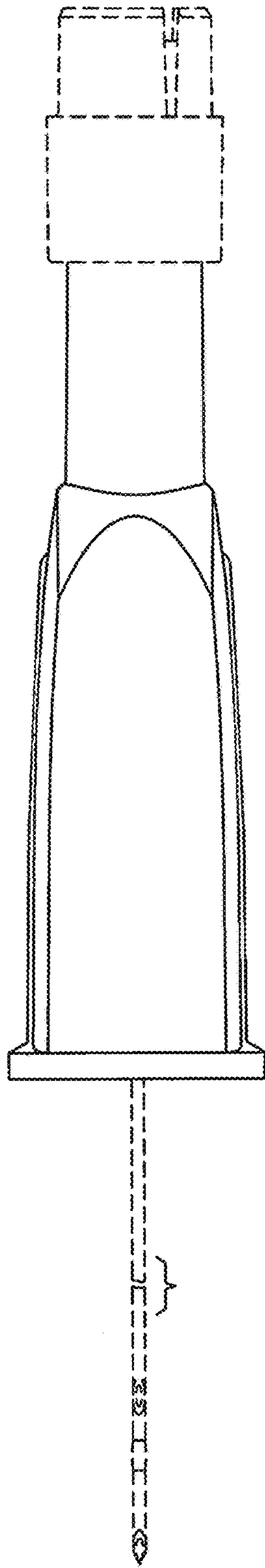


FIG. 3

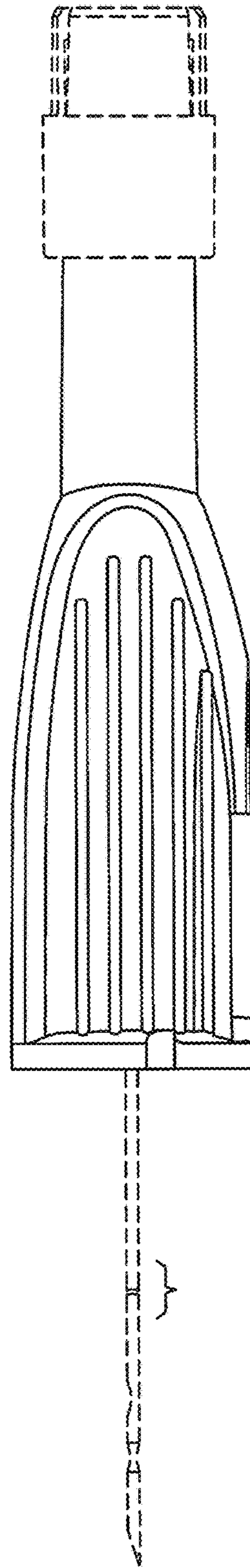


FIG. 4

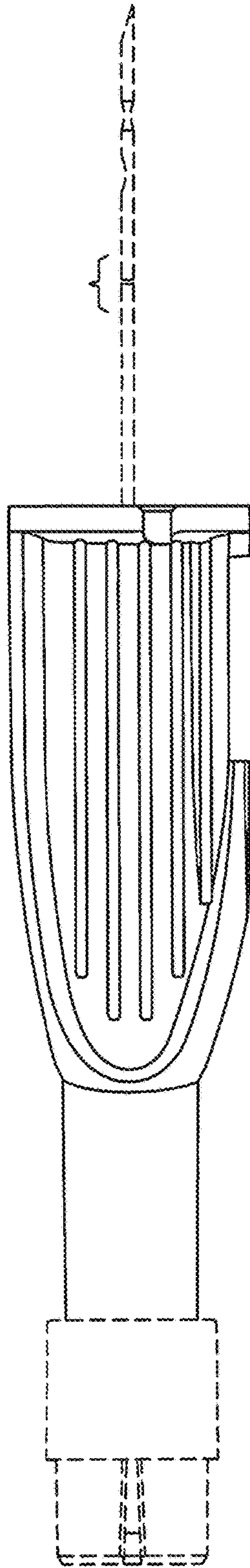


FIG. 5

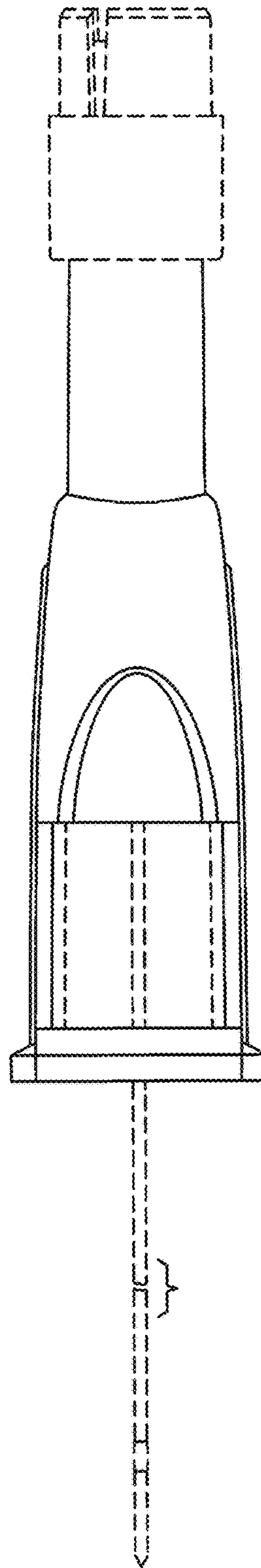


FIG. 6

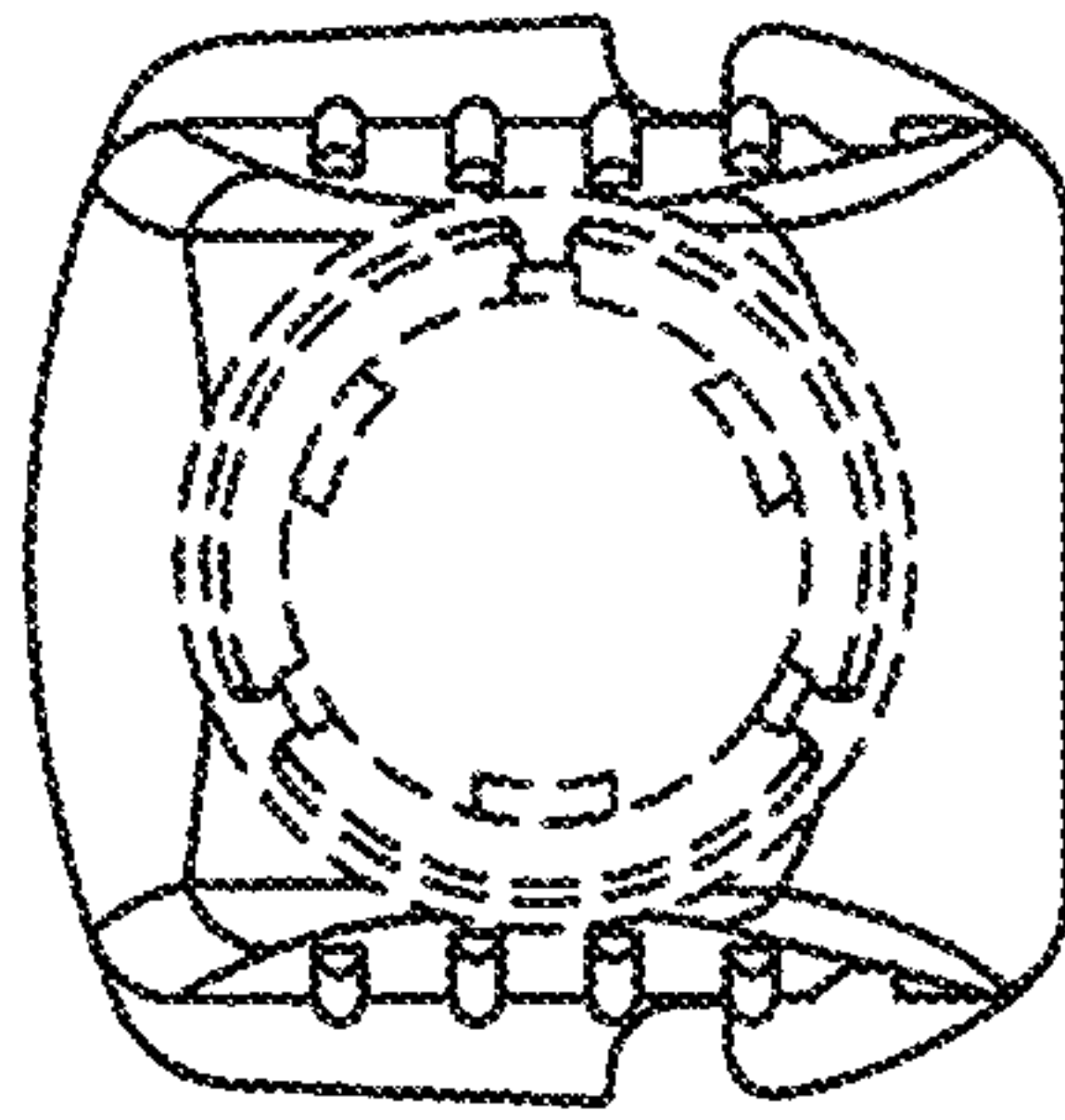


FIG. 8

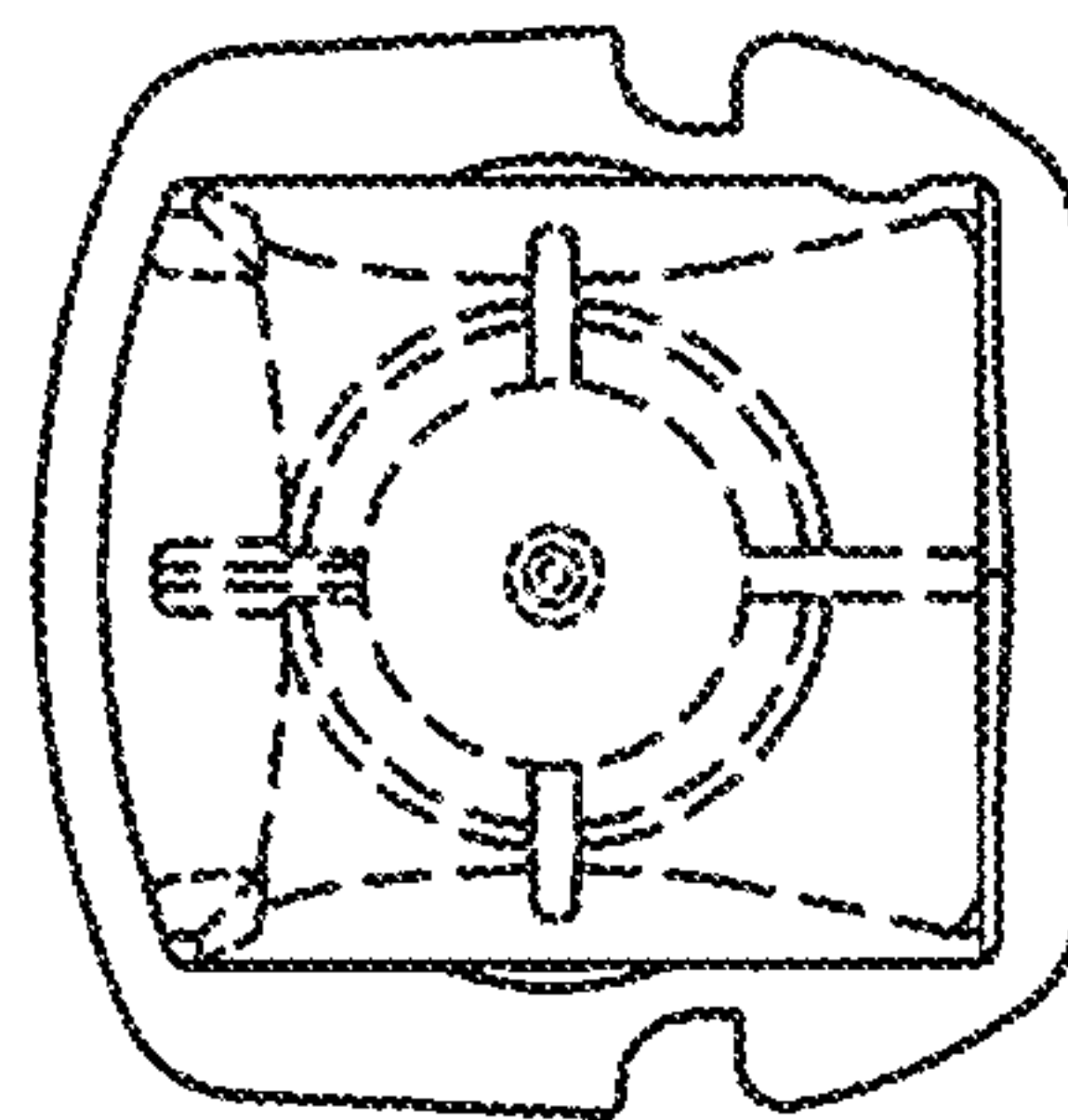


FIG. 7