



US00D821573S

(12) **United States Design Patent** (10) **Patent No.:** **US D821,573 S**  
**Daniel et al.** (45) **Date of Patent:** **\*\* Jun. 26, 2018**

- (54) **HOUSING FOR A MEDICAL INJECTOR**
- (71) Applicant: **SHL GROUP AB**, Nacka Strand (SE)
- (72) Inventors: **Mattias Daniel**, Taby (SE); **Katja Wessel**, Stockholm (SE)
- (73) Assignee: **SHL GROUP AB**, Nacka Strand (SE)
- (\*\*) Term: **15 Years**
- (21) Appl. No.: **29/601,116**
- (22) Filed: **Apr. 19, 2017**

**Related U.S. Application Data**

- (63) Continuation of application No. 13/650,708, filed on Oct. 12, 2012, now Pat. No. 9,662,452, and a continuation of application No. 13/636,241, filed as application No. PCT/SE2011/050326 on Mar. 23, 2011, now Pat. No. 9,199,038.

**Foreign Application Priority Data**

- Mar. 31, 2010 (SE) ..... 1050307
- (51) **LOC (11) Cl.** ..... **24-02**
- (52) **U.S. Cl.**  
USPC ..... **D24/113**
- (58) **Field of Classification Search**  
USPC ..... D24/112-114, 108, 130, 127, 133, 186;  
606/181, 185; 604/264, 523-528, 272,  
604/164.01-164.11, 187, 93.01; 600/101,  
600/139, 143; 128/200.24, 207.14,  
128/207.15  
CPC ..... A61M 5/178; A61M 3/00; A61M 5/20;  
A61M 5/31; A61M 5/3146; A61M 5/3129  
See application file for complete search history.

(56) **References Cited**

U.S. PATENT DOCUMENTS

D430,293 S *	8/2000	Jansen	.....	D24/129
D626,648 S *	11/2010	Ahlgren	.....	D24/130
D641,469 S *	7/2011	Ruiz, Sr.	.....	D24/133
D708,317 S *	7/2014	Schneider	.....	D24/113
8,821,451 B2 *	9/2014	Daniel	.....	A61M 5/2033 604/137
D733,869 S *	7/2015	Ratjen	.....	D24/113
D739,932 S *	9/2015	Ratjen	.....	D24/113
D748,253 S *	1/2016	Ratjen	.....	D24/130
D748,778 S *	2/2016	Shiozaki	.....	D24/130
D757,255 S *	5/2016	Wohlfahrt	.....	D24/113
D758,567 S *	6/2016	Wohlfahrt	.....	D24/113
D758,569 S *	6/2016	Wohlfahrt	.....	D24/113
D760,893 S *	7/2016	Honda	.....	D24/130

\* cited by examiner

*Primary Examiner* — David Muller

(74) *Attorney, Agent, or Firm* — McDonnell Boehnen Hulbert & Berghoff LLP

(57) **CLAIM**

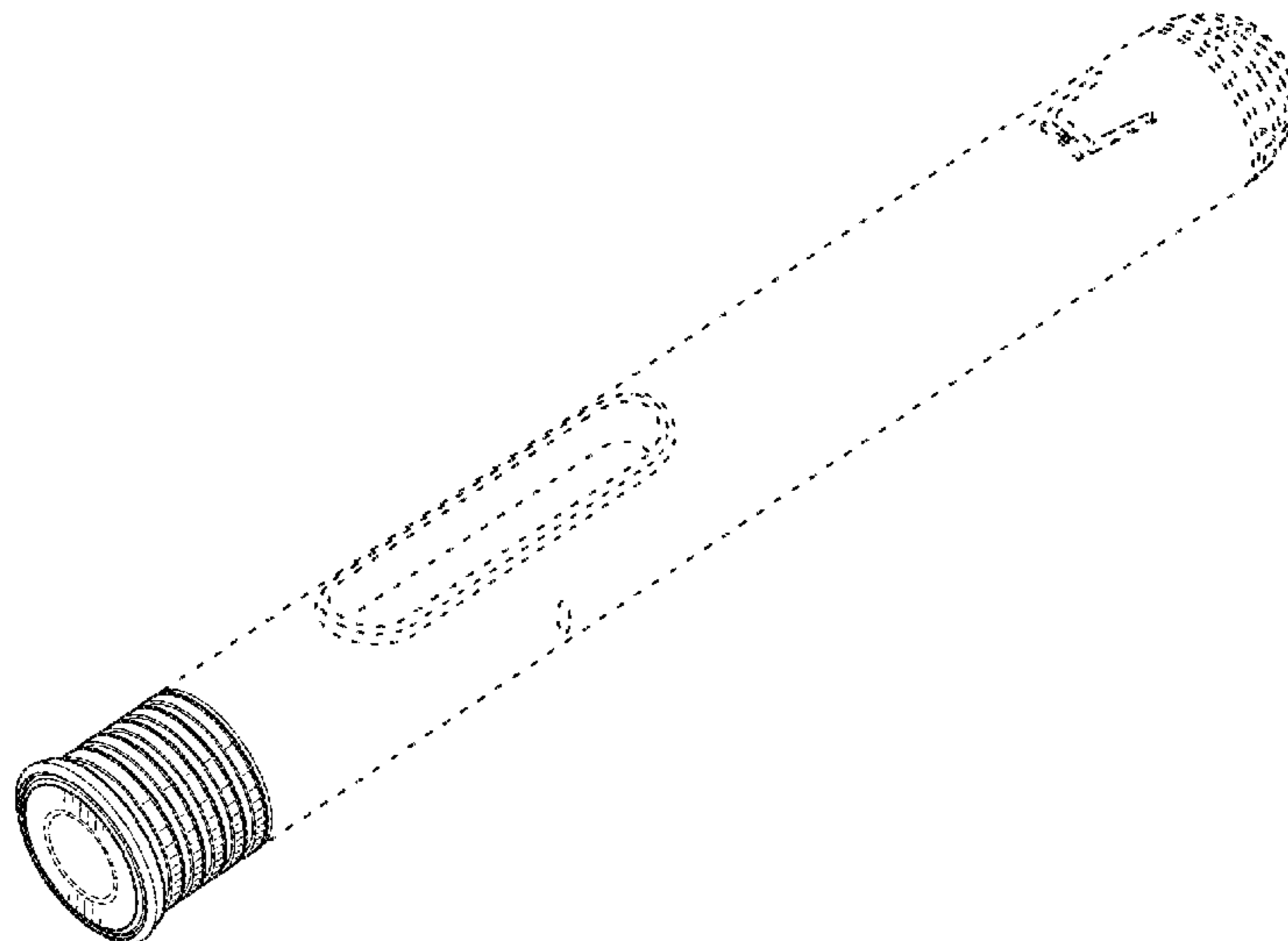
We claim the ornamental housing for a housing of a medical injector, as shown and described.

**DESCRIPTION**

FIG. 1 is a perspective view of the housing viewed from the front and left of and above the medical injector;  
 FIG. 2 is a front elevation view thereof;  
 FIG. 3 is a rear elevation view thereof;  
 FIG. 4 is a left side elevation view thereof;  
 FIG. 5 is a right side elevation view thereof;  
 FIG. 6 is a bottom plan view thereof; and,  
 FIG. 7 is a top plan view thereof.

The broken line showing is for the purpose of illustrating portions of the article and forms no part of the claimed design. The broken line which defines the bounds of the claimed invention forms no part of the claimed design.

**1 Claim, 3 Drawing Sheets**



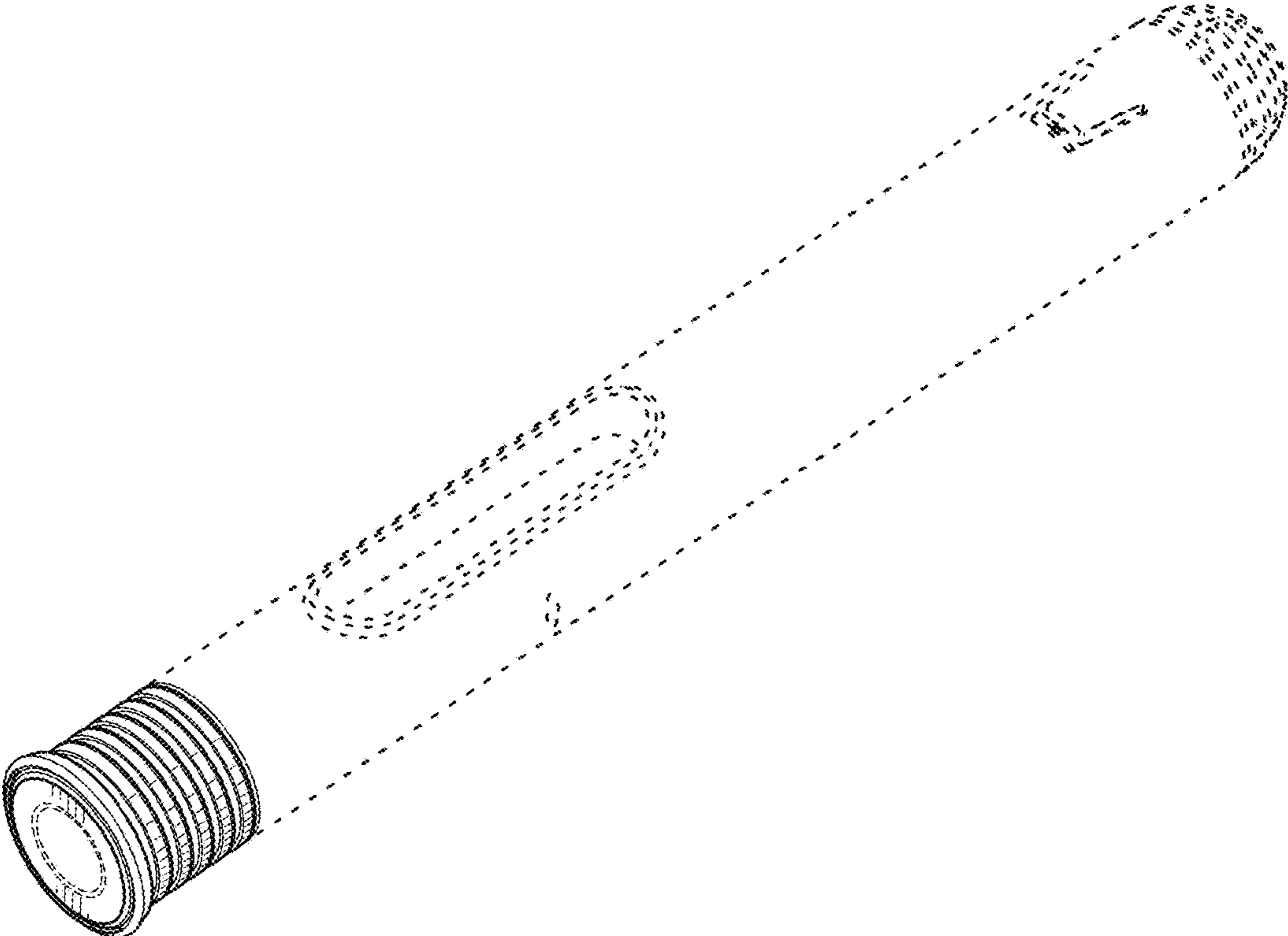


FIG. 1

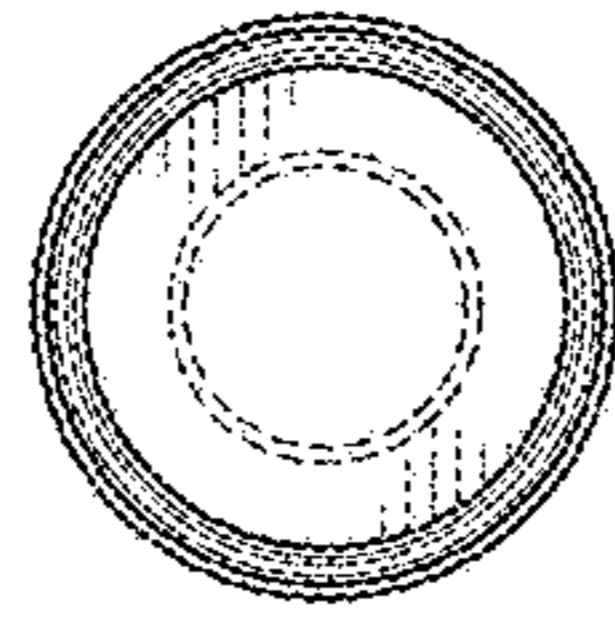


FIG. 2

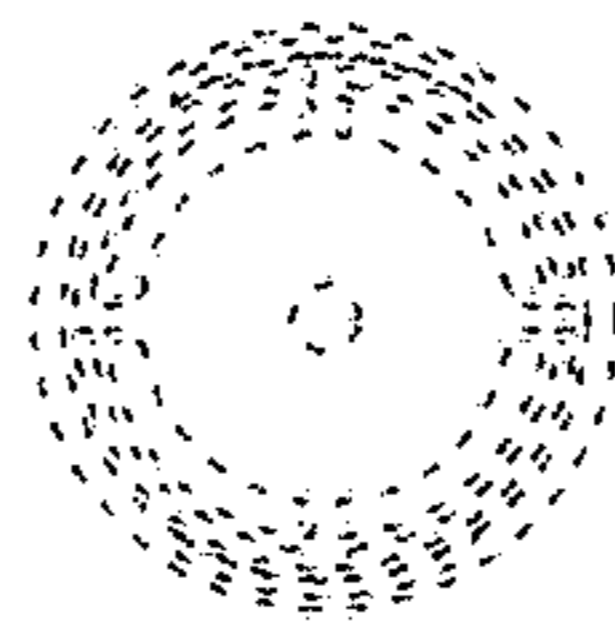


FIG. 3

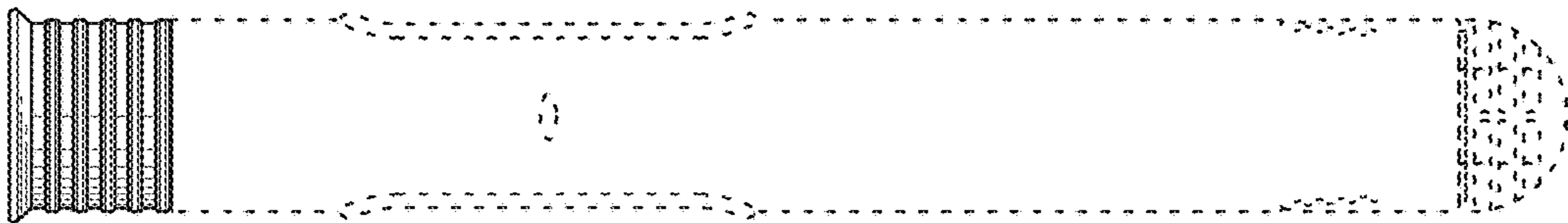


FIG. 4

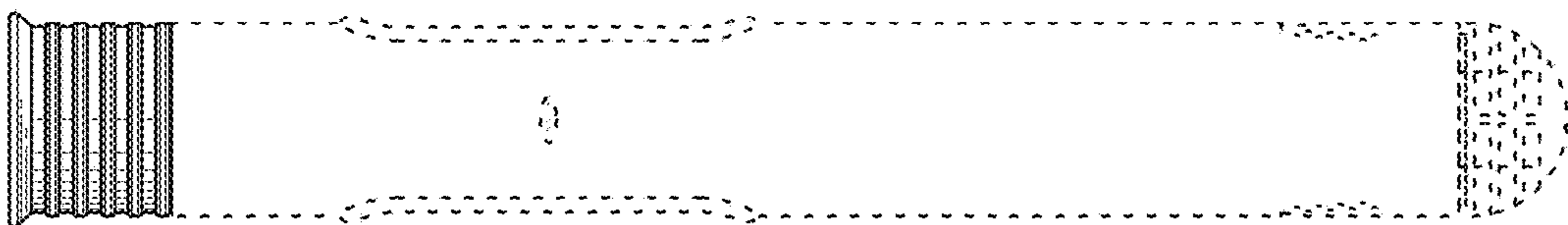


FIG. 5

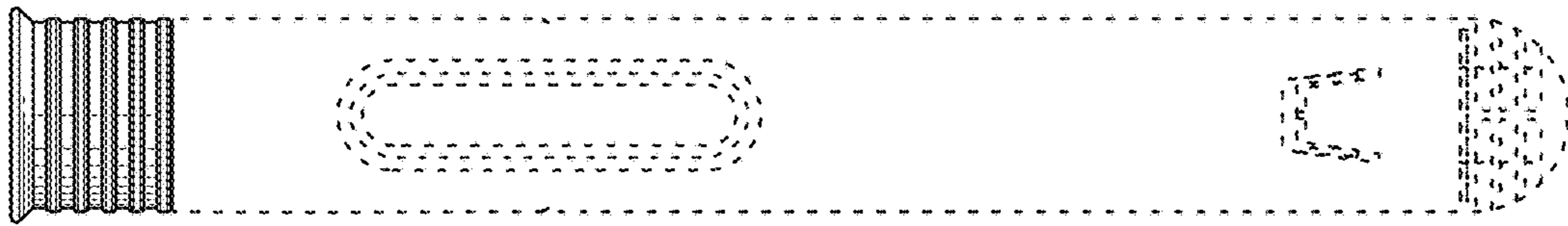


FIG. 6

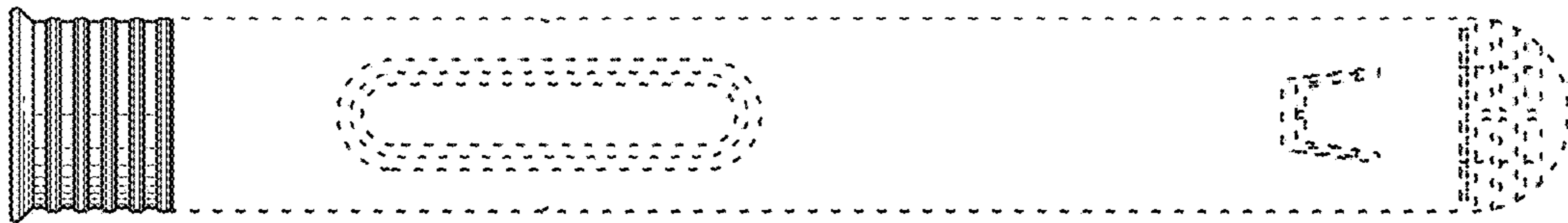


FIG. 7