



US00D821572S

(12) **United States Design Patent**
Clawson et al.

(10) **Patent No.:** **US D821,572 S**
(45) **Date of Patent:** **** Jun. 26, 2018**

(54) **DRUG DELIVERY IMPLEMENT WITH TRANSLUCENT HOUSING**

D335,344 S *	5/1993	Hastings	D24/114
D338,957 S *	8/1993	de Faire	D24/112
D347,688 S *	6/1994	Adams	D24/130
5,498,243 A *	3/1996	Vallelunga	A61M 5/3243 604/187
5,509,903 A *	4/1996	Grendahl	A61M 5/178 604/187
D378,406 S *	3/1997	Kugler	D24/112
D383,205 S *	9/1997	Pagay	D24/112
D401,324 S *	11/1998	Hjertman	D24/114
D419,671 S *	1/2000	Jansen	D24/112
D436,661 S *	1/2001	Berry	D24/114
6,217,550 B1 *	4/2001	Capes	A61M 5/348 604/110

(71) Applicant: **MedImmune, LLC**, Gaithersburg, MD (US)

(72) Inventors: **Corbin Zean Clawson**, Germantown, MD (US); **Roger Wongjung Liu**, Potomac, MD (US); **Janardhanan Anand Subramony**, Potomac, MD (US)

(73) Assignee: **MedImmune, LLC**, Gaithersburg, MD (US)

(Continued)

(**) Term: **15 Years**

Primary Examiner — David G Muller

Assistant Examiner — Nathan M Johnston

(21) Appl. No.: **29/568,663**

(74) *Attorney, Agent, or Firm* — The H.T. Than Law Group

(22) Filed: **Jun. 20, 2016**

(57) **CLAIM**

(51) **LOC (11) Cl.** **24-02**

The ornamental design for the drug delivery implements with translucent housing, as shown and described.

(52) **U.S. Cl.**
USPC **D24/113**

(58) **Field of Classification Search**
USPC D24/112–114, 133, 186, 104, 127, 130;
606/181, 185; 604/264, 272, 115, 232,
604/187, 158, 164.08, 192, 263, 163, 181,
604/184, 198, 227
CPC A61M 5/24; A61M 5/31551; A61M
5/31585; A61M 2005/2407; A61K
2300/00
See application file for complete search history.

DESCRIPTION

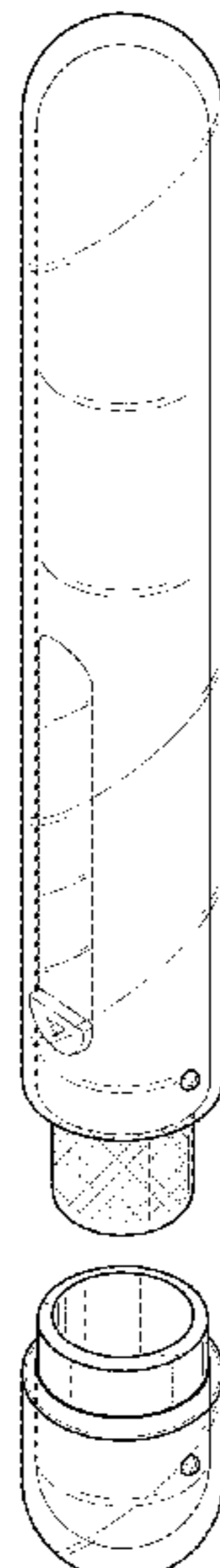
FIG. 1 is a perspective view of an ornamental design for an embodiment of a drug delivery implement with translucent housing according to the present invention;
FIG. 2 is a front view thereof;
FIG. 3 is a back side view thereof;
FIG. 4 is a left side view thereof;
FIG. 5 is a right side view thereof;
FIG. 6 is a top view thereof;
FIG. 7 is a bottom view thereof; and,
FIG. 8 is a perspective view of FIG. 12 with a cap separated from the drug delivery implement.
The broken lines illustrate portions of the drug delivery implements with translucent housing and form no part of the claimed design.

(56) **References Cited**

U.S. PATENT DOCUMENTS

4,936,833 A *	6/1990	Sams	A61M 5/31553 222/391
5,092,842 A *	3/1992	Bechtold	A61M 5/20 604/135
D328,643 S *	8/1992	Mitchell	D24/114

1 Claim, 5 Drawing Sheets



(56)

References Cited

U.S. PATENT DOCUMENTS

6,217,559 B1 *	4/2001	Foster	A61M 5/3243	604/195
D445,176 S *	7/2001	Landers	D24/108	
D469,178 S *	1/2003	Courteix	D24/130	
D494,677 S *	8/2004	Garvin	D24/130	
D495,303 S *	8/2004	Coullahan	D13/168	
D520,139 S *	5/2006	Chaggares	D24/186	
D544,092 S *	6/2007	Lewis	D24/108	
D622,685 S *	8/2010	Garra	D14/137	
7,976,493 B2 *	7/2011	Carter	A61M 5/14244	604/67
8,337,468 B1 *	12/2012	Reis	A61M 5/3257	604/181
8,512,279 B2 *	8/2013	Klein	G01N 21/11	604/93.01
D714,266 S *	9/2014	Okamura	D14/191	
8,821,440 B2 *	9/2014	Sanchez	A61F 9/0017	604/113
D769,438 S *	10/2016	Crosby	D24/110	
2004/0138629 A1 *	7/2004	Cipoletti	A61M 5/3275	604/263
2004/0225258 A1 *	11/2004	Balestracci	A61M 5/3134	604/111
2005/0027260 A1 *	2/2005	Wang	A61M 5/3272	604/198
2005/0063857 A1 *	3/2005	Alheidt	A61M 5/31511	422/28
2005/0215954 A1 *	9/2005	Fago	B01F 5/0604	604/187
2011/0034879 A1 *	2/2011	Crow	A61M 5/2033	604/197
2011/0046559 A1 *	2/2011	Lum	A61M 5/3137	604/189
2013/0012919 A1 *	1/2013	Becker	A61M 5/315	604/506
2014/0025013 A1 *	1/2014	Dowds	A61M 5/3129	604/198
2014/0276446 A1 *	9/2014	Bokelman	A61M 5/3221	604/198
2015/0250943 A1 *	9/2015	Momose	A61M 5/14276	604/151

* cited by examiner

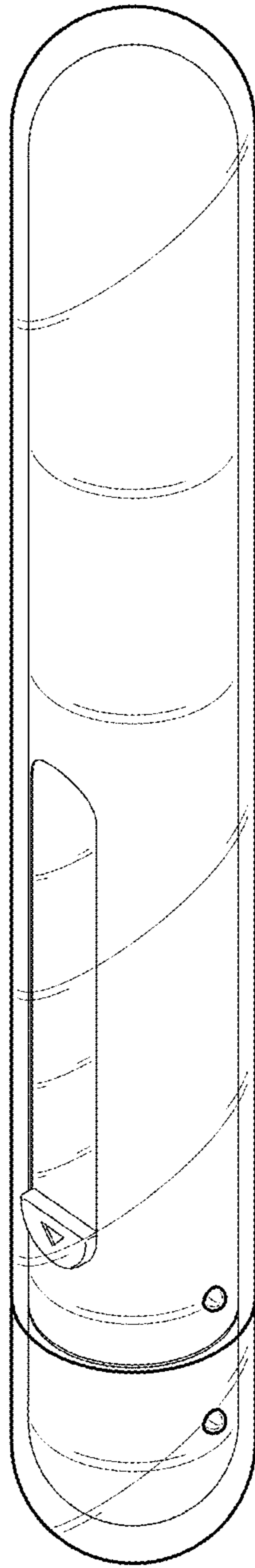


Fig. 1

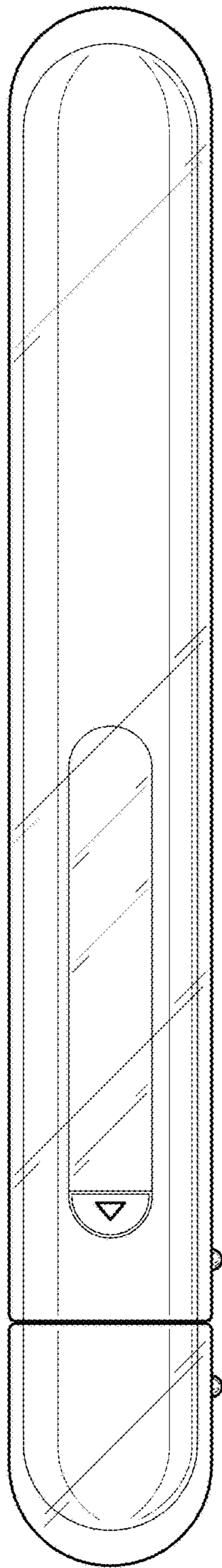


Fig. 2

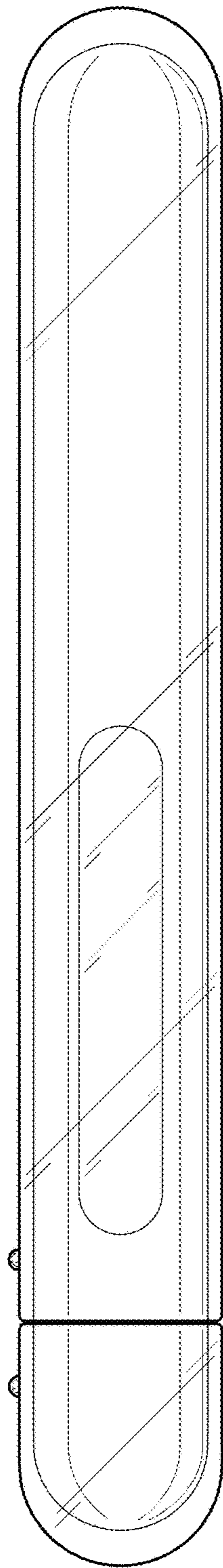


Fig. 3

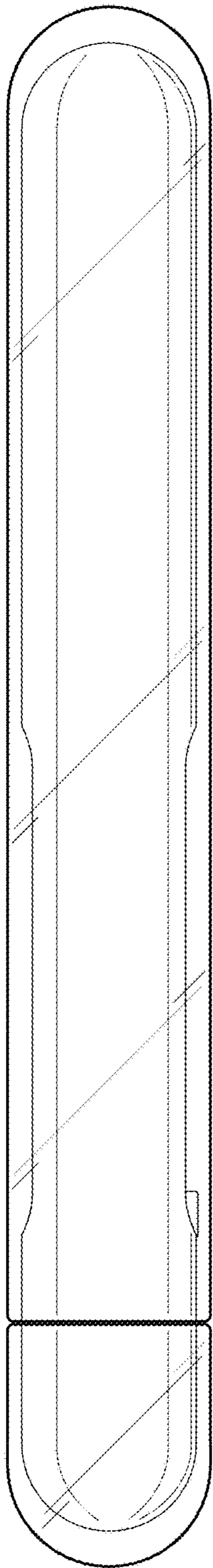


Fig. 4

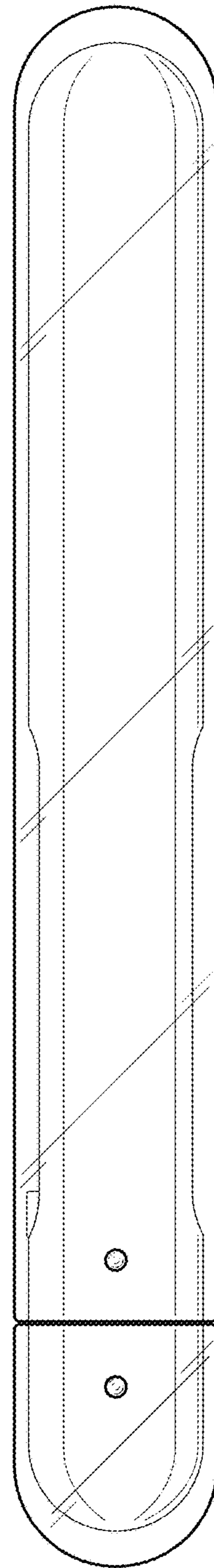


Fig. 5

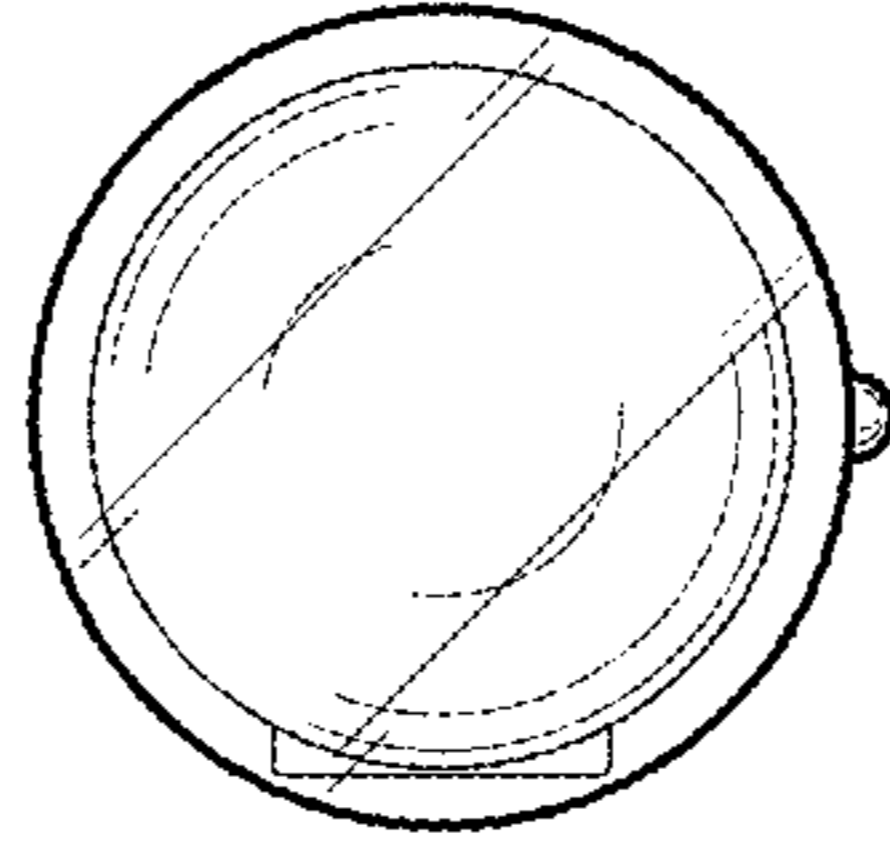


Fig. 6

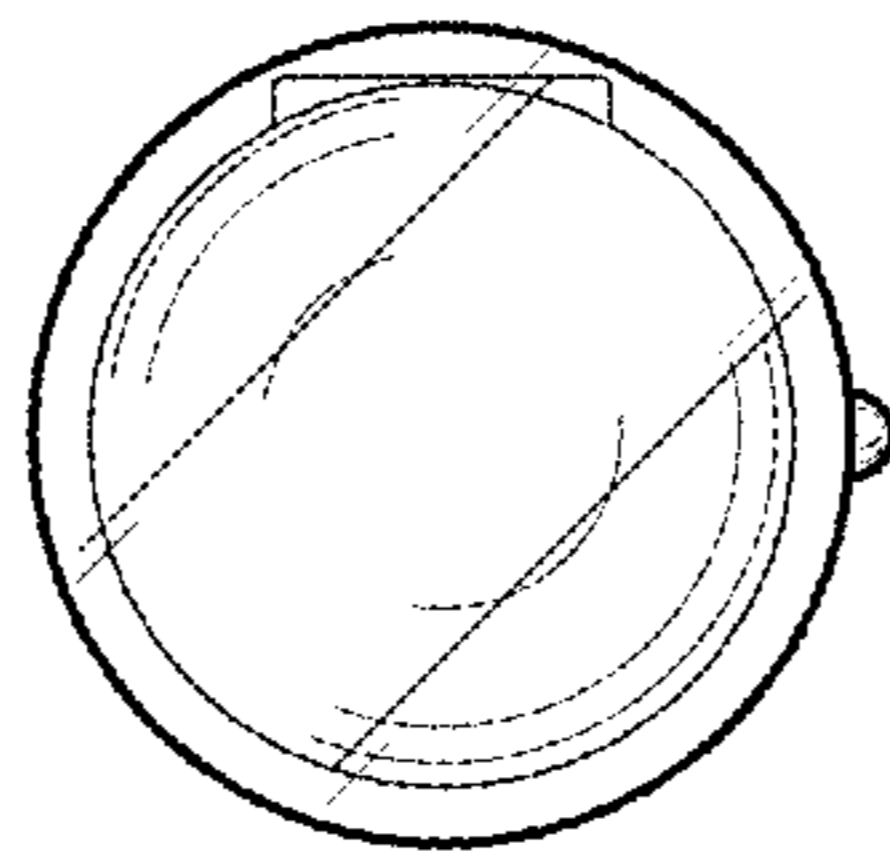


Fig. 7

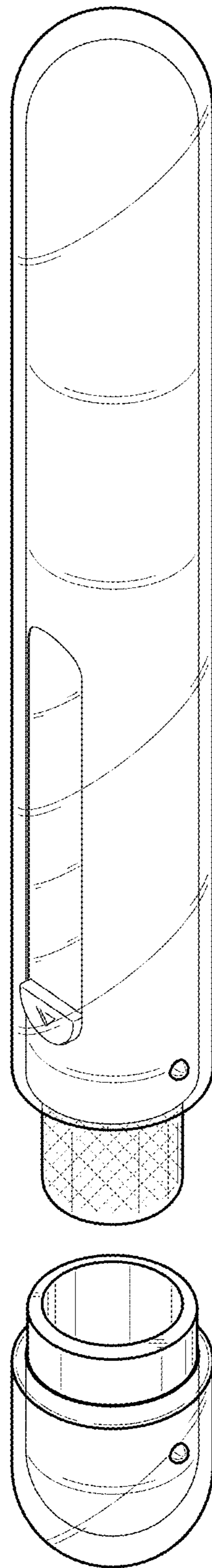


Fig. 8