



US00D821570S

(12) **United States Design Patent** (10) **Patent No.:** **US D821,570 S**
Linton (45) **Date of Patent:** **** Jun. 26, 2018**

(54) **BREATHING MASK**
(71) Applicant: **Jennifer A. Linton**, Dover, DE (US)
(72) Inventor: **Jennifer A. Linton**, Dover, DE (US)
(**) Term: **15 Years**
(21) Appl. No.: **29/592,042**
(22) Filed: **Jan. 26, 2017**
(51) **LOC (11) Cl.** **29-02**
(52) **U.S. Cl.**
USPC **D24/110.4**
(58) **Field of Classification Search**
USPC D24/110-110.6, 127, 129; D29/110
CPC A61M 16/0616; A61M 16/0633; A61M
16/06; A61M 16/0666; A61M 16/0683;
A61M 16/0605; A61M 16/0622; A61M
16/0644; A61M 16/0875; A61M 16/0816;
A61M 16/08; B63C 11/205; B63C 11/16;
B63C 11/186; B63C 11/12
See application file for complete search history.

(56) **References Cited**

U.S. PATENT DOCUMENTS

6,615,829 B2 9/2003 Horn et al.
6,631,713 B1 10/2003 Christopher
D486,226 S * 2/2004 Guney D24/110.1
D493,885 S * 8/2004 Raje D24/110.1
D507,831 S * 7/2005 Rosenkranz D24/110.1
6,932,239 B2 8/2005 McKitrick
D586,458 S * 2/2009 Kooij D24/110.1
D586,906 S * 2/2009 Stallard D24/110.1
D595,841 S * 7/2009 McAuley D24/110.1
D635,661 S * 4/2011 Stallard D24/110.1
D683,447 S * 5/2013 Olsen D24/110.1
9,561,338 B2 * 2/2017 McAuley A61M 16/0683
2003/0034034 A1 * 2/2003 Kwok A61M 16/06
128/206.21

2005/0098183 A1 5/2005 Nash et al.
2008/0011295 A1 1/2008 Mueller
2008/0276937 A1 * 11/2008 Davidson A61M 16/06
128/204.18
2010/0116276 A1 5/2010 Bayasi
2011/0130650 A1 6/2011 Dayan et al.
2014/0090643 A1 4/2014 Stallard et al.

FOREIGN PATENT DOCUMENTS

CN 2829768 Y 10/2006
CN 201006137 Y 1/2008
CN 203694328 U 7/2014

* cited by examiner

Primary Examiner — Karen E Kearney
Assistant Examiner — Aula Soroush
(74) *Attorney, Agent, or Firm* — Maier & Maier, PLLC

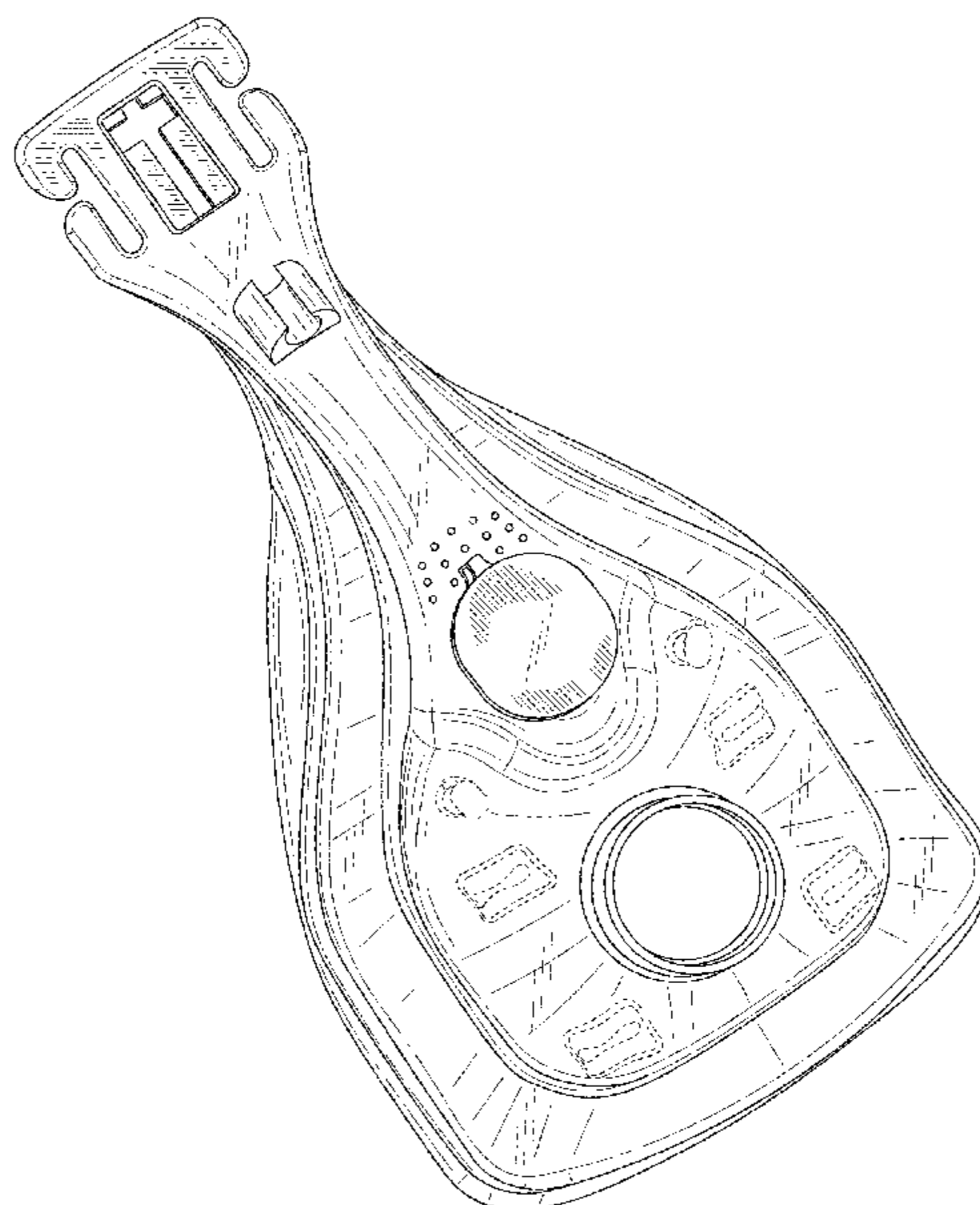
(57) **CLAIM**

The ornamental design for a breathing mask, as shown and described.

DESCRIPTION

FIG. 1 is a front perspective view of a breathing mask;
FIG. 2 is a front elevation view thereof;
FIG. 3 is a rear elevation view thereof;
FIG. 4 is a right side elevation view thereof;
FIG. 5 is a left side elevation view thereof;
FIG. 6 is a bottom plan view thereof;
FIG. 7 is a top plan view thereof;
FIG. 8 is a front perspective view with a port cap in an open position; and,
FIG. 9 is a front elevation view thereof with a port cap in an open position.
The broken lines in the drawings illustrate portions of the breathing mask and form no part of the claimed design.
The oblique line shading is used to denote claimed portions that are transparent or translucent.

1 Claim, 8 Drawing Sheets



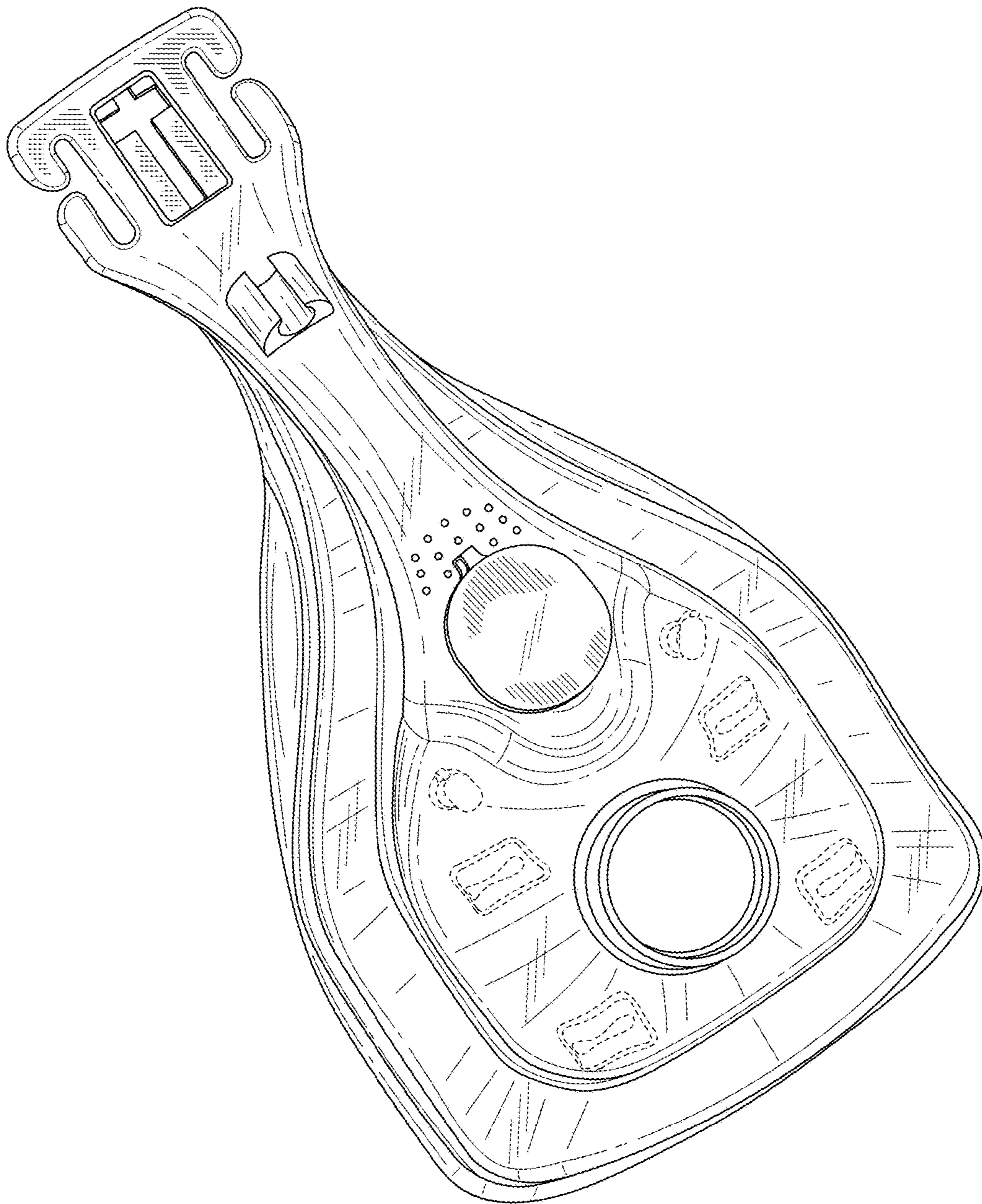


FIG. 1

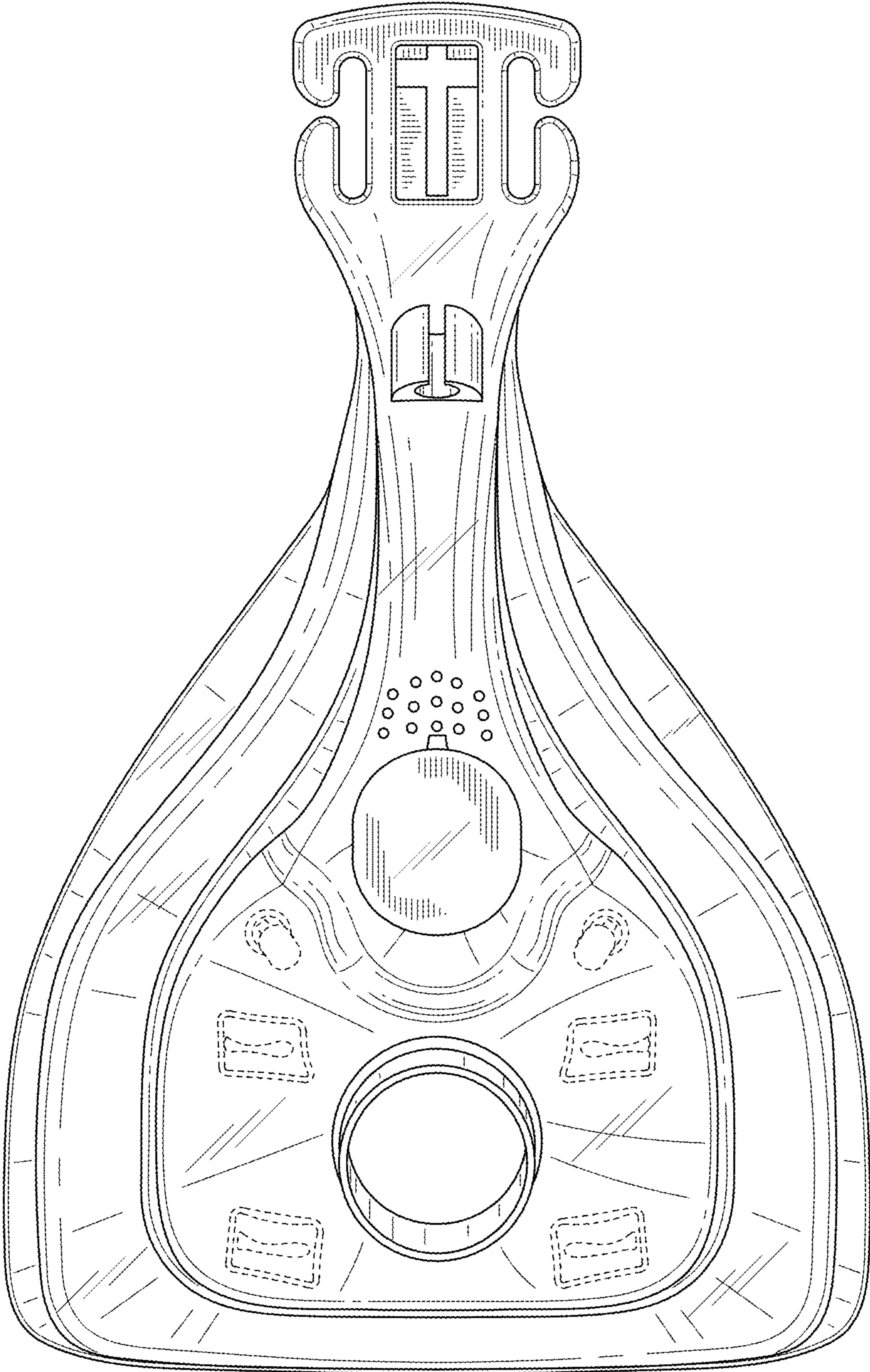


FIG. 2

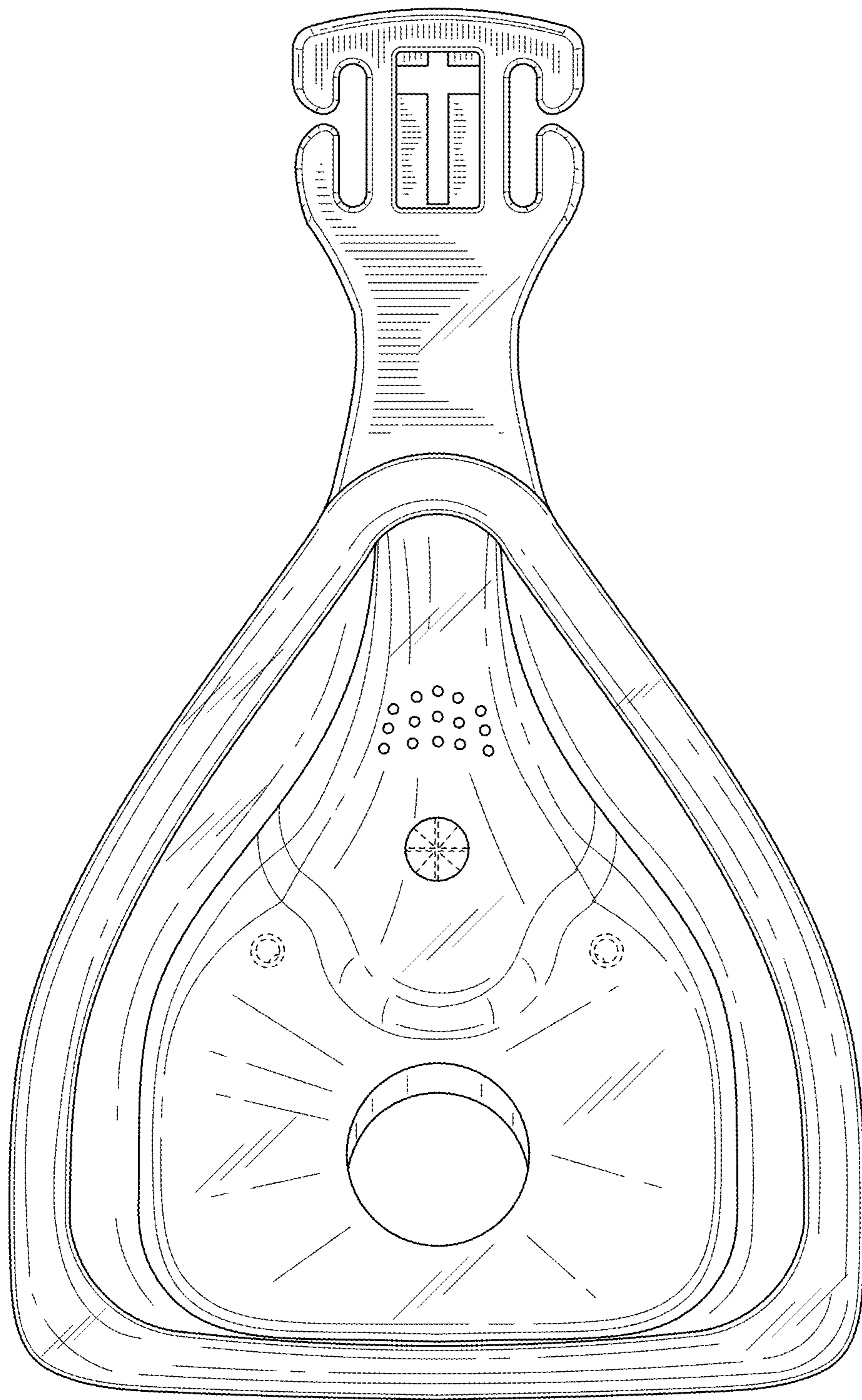


FIG. 3

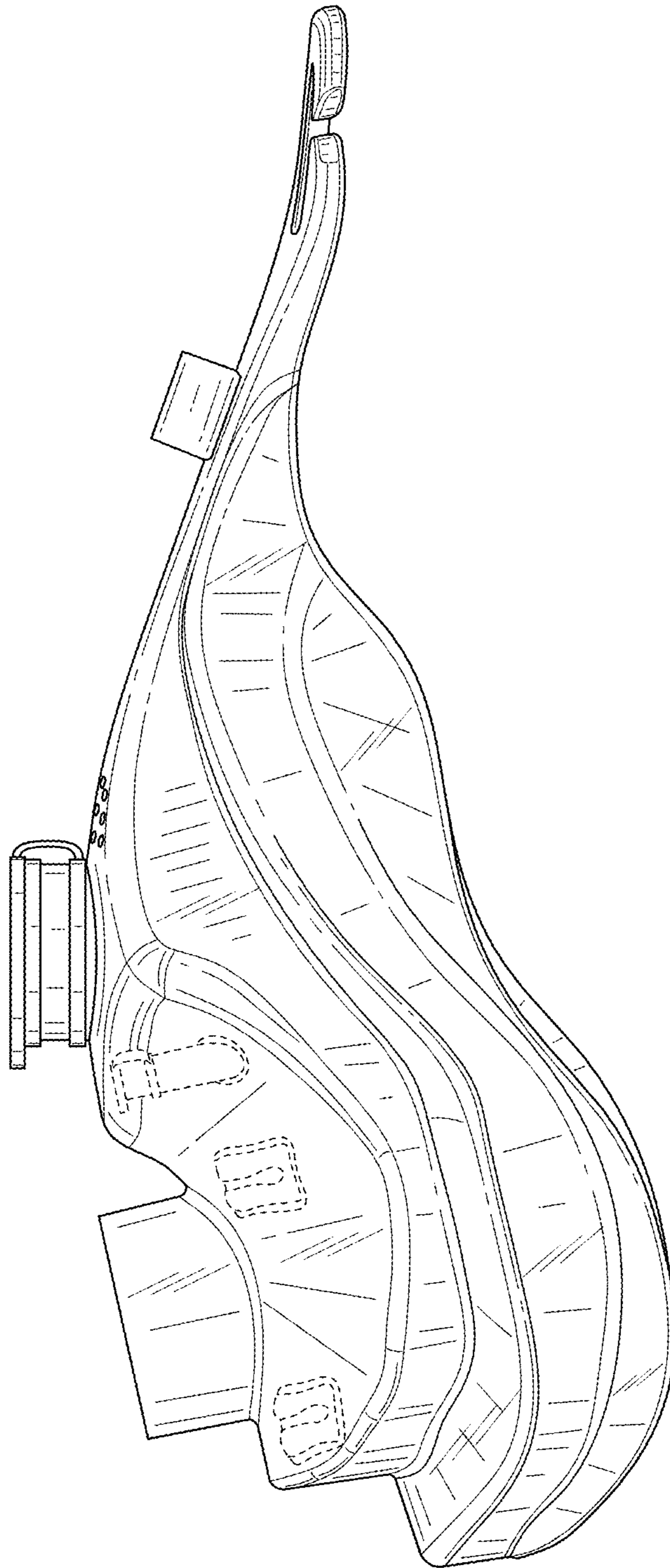


FIG. 4

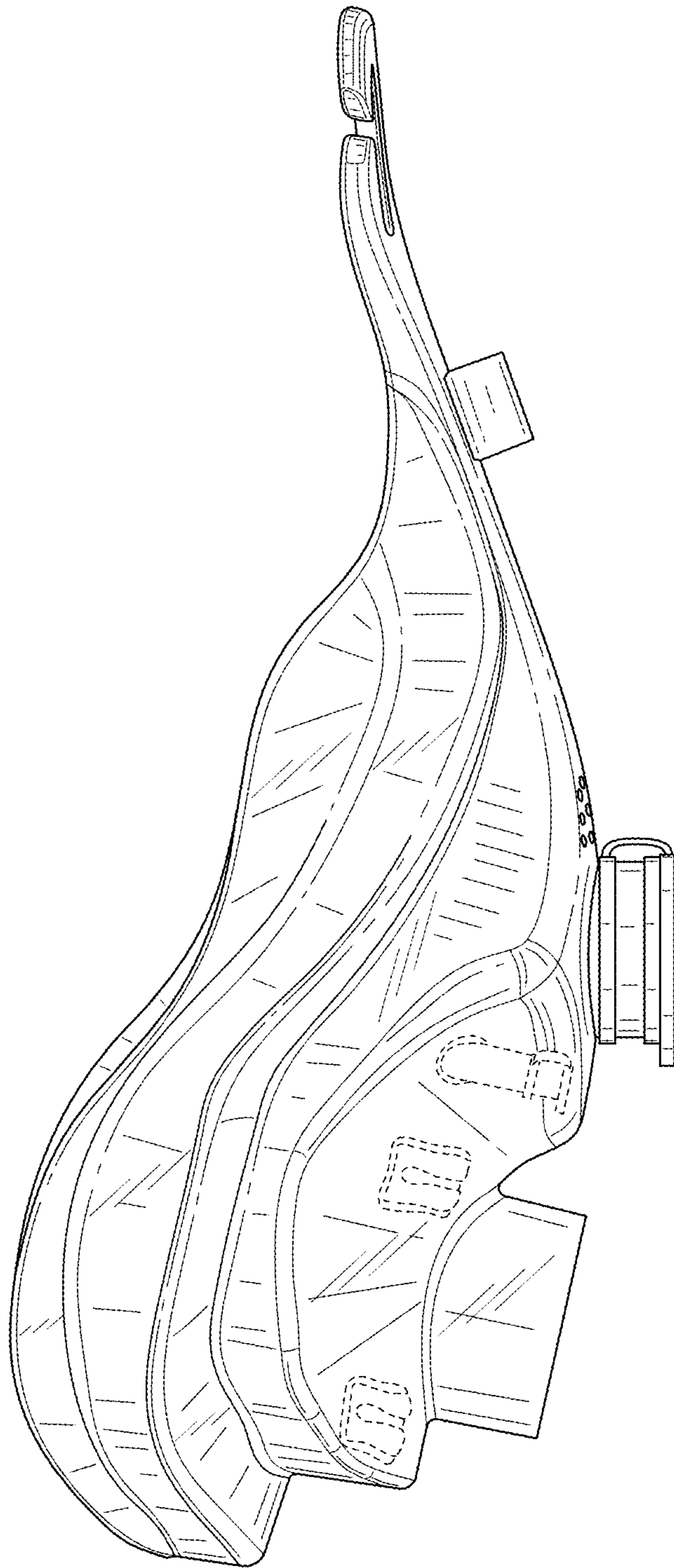


FIG. 5

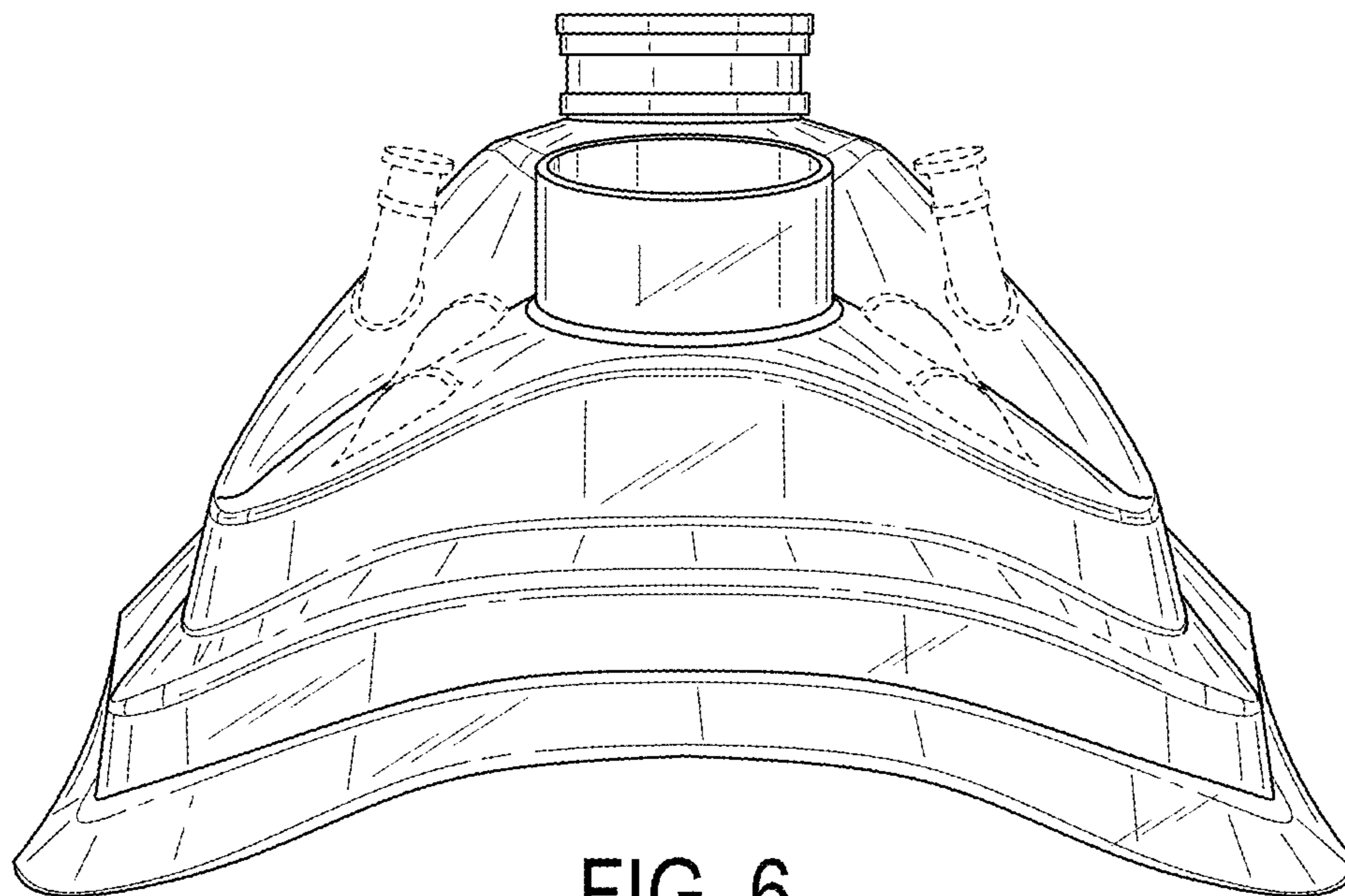


FIG. 6

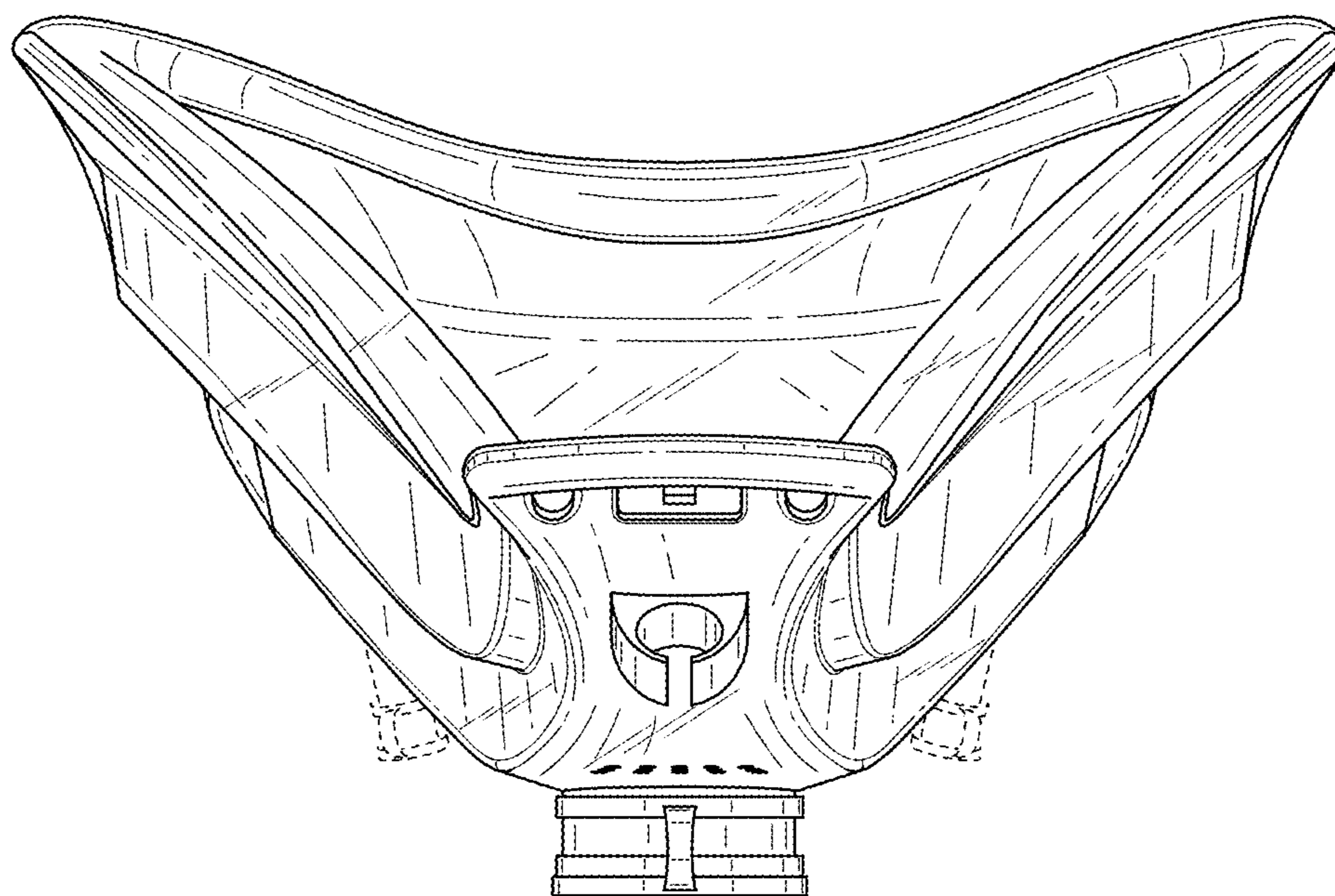


FIG. 7

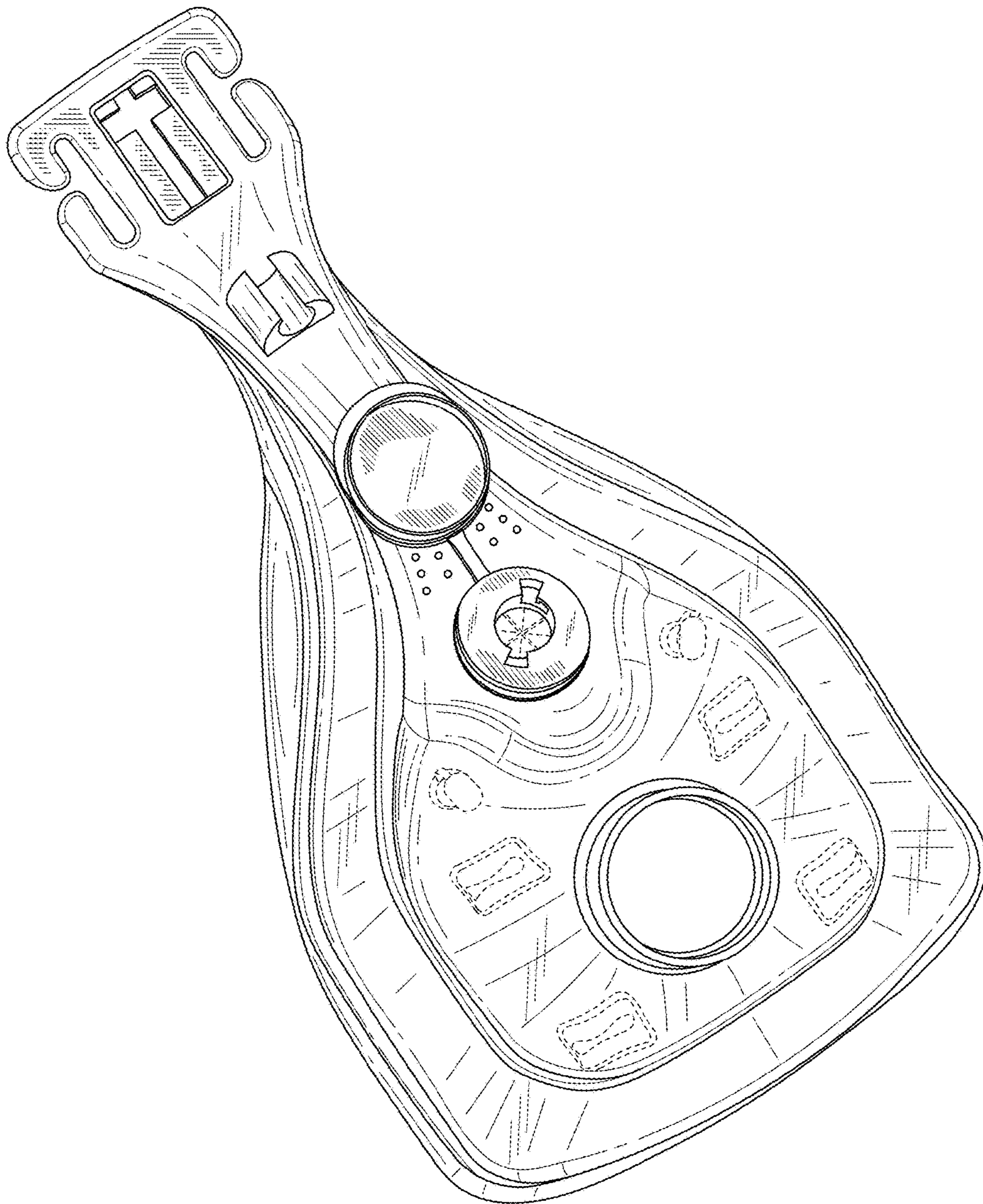


FIG. 8

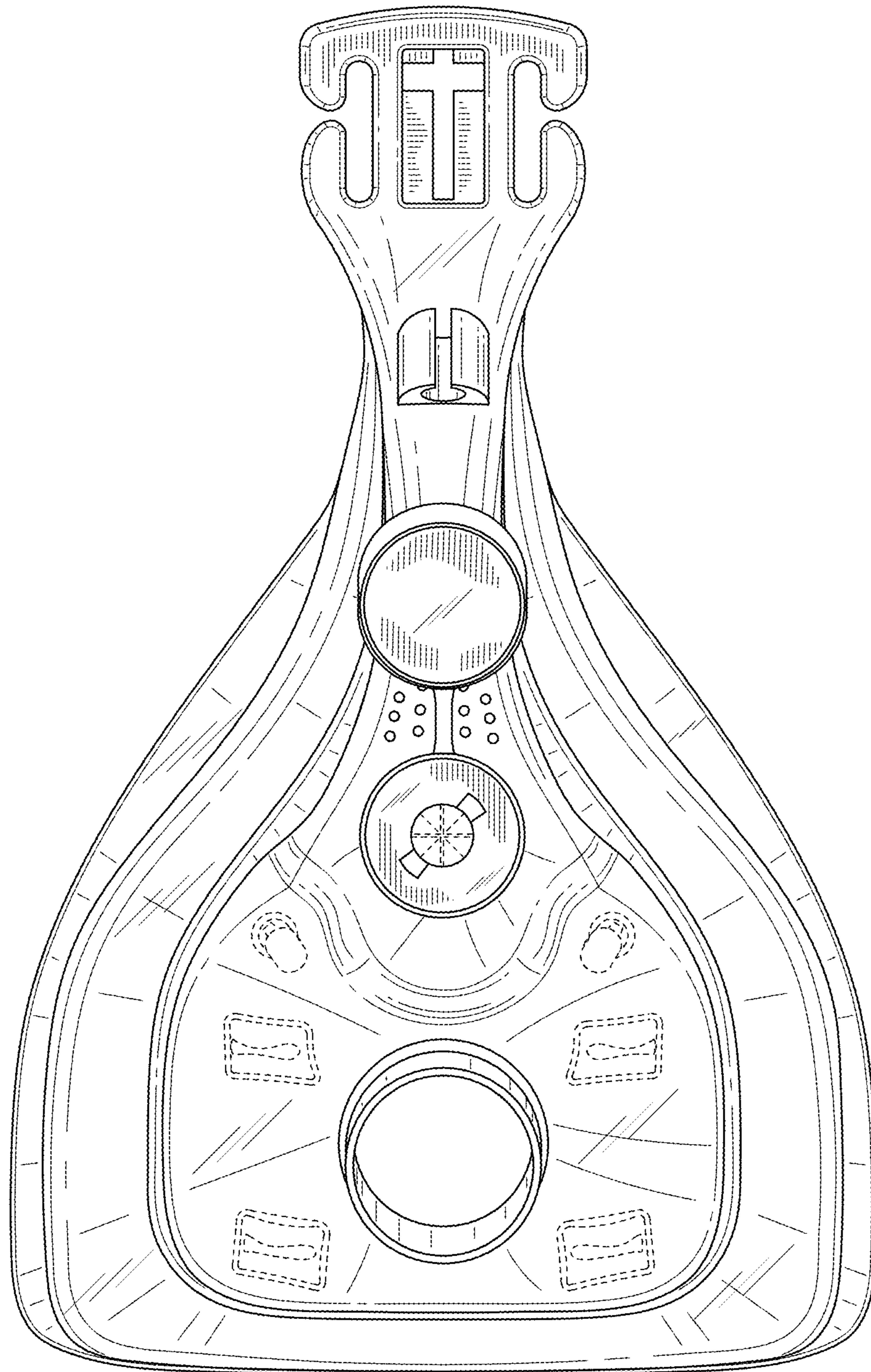


FIG. 9