



US00D821568S

(12) **United States Design Patent**
Nilsson et al.

(10) **Patent No.:** **US D821,568 S**
(45) **Date of Patent:** **** Jun. 26, 2018**

(54) **FACE MASK**
(71) Applicant: **BLUEAIR AB**, Stockholm (SE)
(72) Inventors: **Fredrik Nilsson**, Stockholm (SE);
Walter Frost, Stockholm (SE)
(73) Assignee: **BLUEAIR AB**, Stockholm (SE)
(**) Term: **15 Years**

5,717,991 A * 2/1998 Nozaki A41D 13/113
2/9
5,735,270 A * 4/1998 Bayer A41D 13/11
128/205.27
D414,862 S * 10/1999 Hall D24/110.1
6,394,090 B1 * 5/2002 Chen A41D 13/113
128/205.27
D776,257 S * 1/2017 Remer D24/110.1
2003/0154984 A1 * 8/2003 Fernandes A41D 13/1146
D24/110.1
2007/0272248 A1 * 11/2007 Lin A62B 18/025
128/206.28

(21) Appl. No.: **29/591,044**

(Continued)

(22) Filed: **Jan. 16, 2017**

OTHER PUBLICATIONS

(30) **Foreign Application Priority Data**

Blueair FaceOne Go. Blueair.com. Copyright 2018 [retrieved on Feb. 14, 2018]. Retrieved from Internet: <<https://www.blueair.com/cn/face-one#product-content>> (Year: 2018).*

Jul. 20, 2016 (EM) 003313048-0002

(51) **LOC (11) Cl.** **29-02**

(52) **U.S. Cl.**
USPC **D24/110.1**

(58) **Field of Classification Search**
USPC D24/110.1-110.2; D29/108, 110
CPC A62B 18/025; A62B 23/025; A41D 13/11;
A41D 13/1107; A41D 13/1115; A41D
13/113; A41D 13/1161
See application file for complete search history.

Primary Examiner — Karen E Kearney

Assistant Examiner — Lilyana Bekic

(74) *Attorney, Agent, or Firm* — Cooper Legal Group
LLC; Ronald Kachmarik

(56) **References Cited**

U.S. PATENT DOCUMENTS

2,565,124 A * 8/1951 Durborow A41D 13/11
128/206.19
2,634,725 A * 4/1953 Lo Presti A41D 13/11
128/206.19
4,090,510 A * 5/1978 Segersten A41D 13/11
128/206.12
D380,545 S * 7/1997 Nozaki D24/110.1
D382,052 S * 8/1997 Bayer D24/110.1
5,701,892 A * 12/1997 Bledstein A41D 13/113
128/206.16
5,706,803 A * 1/1998 Bayer A41D 13/11
128/205.27

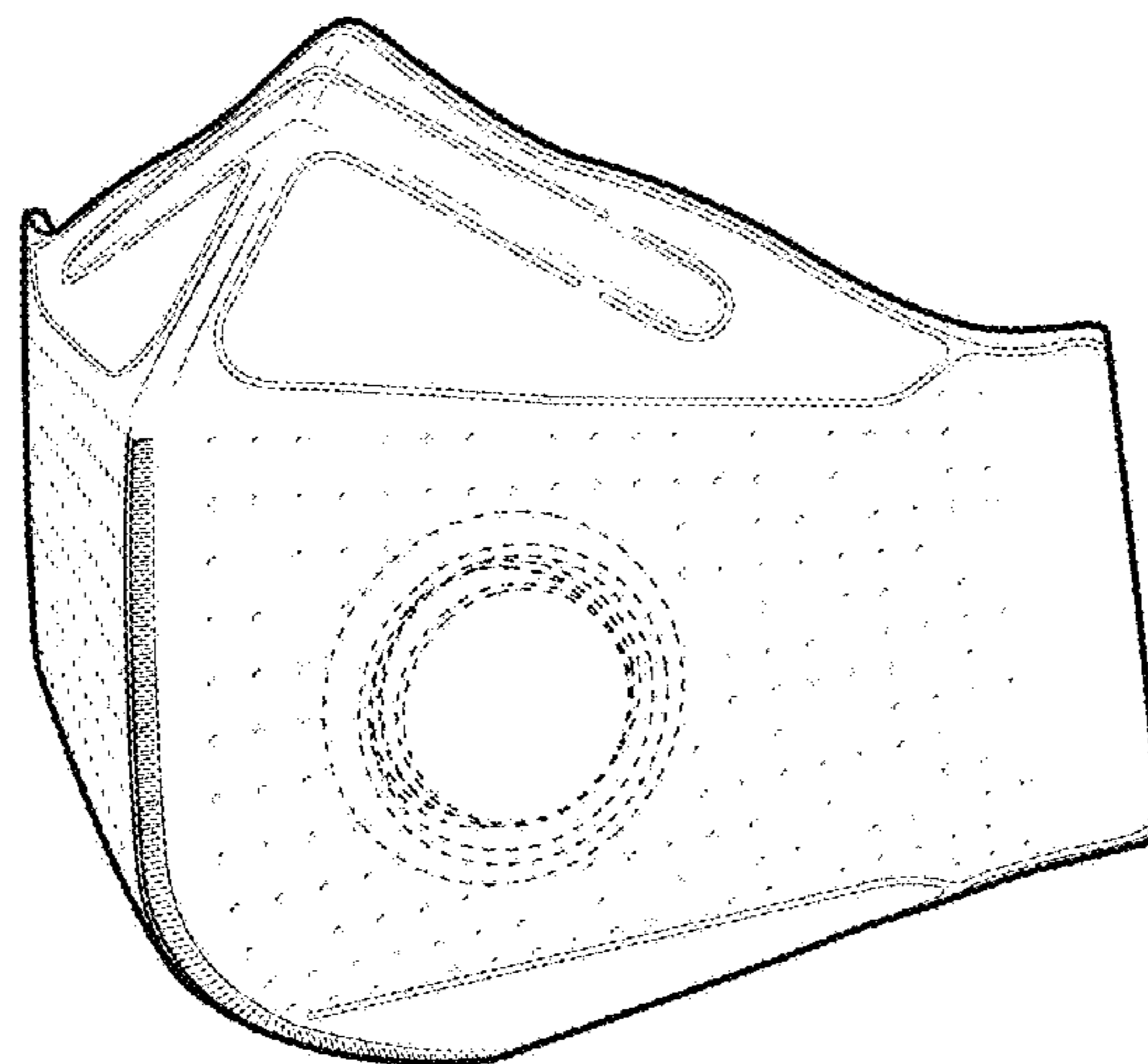
(57) **CLAIM**

The ornamental design for a face mask, as shown and described.

DESCRIPTION

FIG. 1 is a front perspective view of a face mask;
FIG. 2 is a rear perspective view thereof;
FIG. 3 is a left side elevational view thereof;
FIG. 4 is a right side elevational view thereof;
FIG. 5 is a top plan view thereof;
FIG. 6 is a bottom plan view thereof; and,
FIG. 7 is a front elevational thereof.
The broken lines in the drawings depict portions of the face mask that form no part of the claimed design.

1 Claim, 7 Drawing Sheets



(56)

References Cited

U.S. PATENT DOCUMENTS

2008/0011303	A1 *	1/2008	Angadjivand	A41D 13/113 128/206.19
2008/0121240	A1 *	5/2008	Schwarz	A41D 13/11 128/863
2009/0151733	A1 *	6/2009	Welchel	A41D 13/113 128/863
2010/0101584	A1 *	4/2010	Bledstein	A62B 18/10 128/863
2011/0139158	A1 *	6/2011	Xue	A62B 18/025 128/206.15
2011/0203593	A1 *	8/2011	Ishigami	A62B 23/025 128/206.13
2011/0220109	A1 *	9/2011	Chiu	A62B 23/025 128/206.19
2012/0180800	A1 *	7/2012	Shibata	A41D 13/113 128/863
2017/0157436	A1 *	6/2017	Hosmer	A62B 18/084
2017/0209719	A1 *	7/2017	Tang	A62B 23/025
2017/0303608	A1 *	10/2017	Chen	A41D 13/113
2017/0311660	A1 *	11/2017	Chen	A41D 13/113
2017/0347724	A1 *	12/2017	Angadjivand	D04H 3/16
2017/0368384	A1 *	12/2017	Facer	A41D 13/11
2018/0000173	A1 *	1/2018	Tsaur	G10K 11/18
2018/0021608	A1 *	1/2018	Zhou	A62B 23/025
2018/0027899	A1 *	2/2018	Facer	A41D 13/11

* cited by examiner

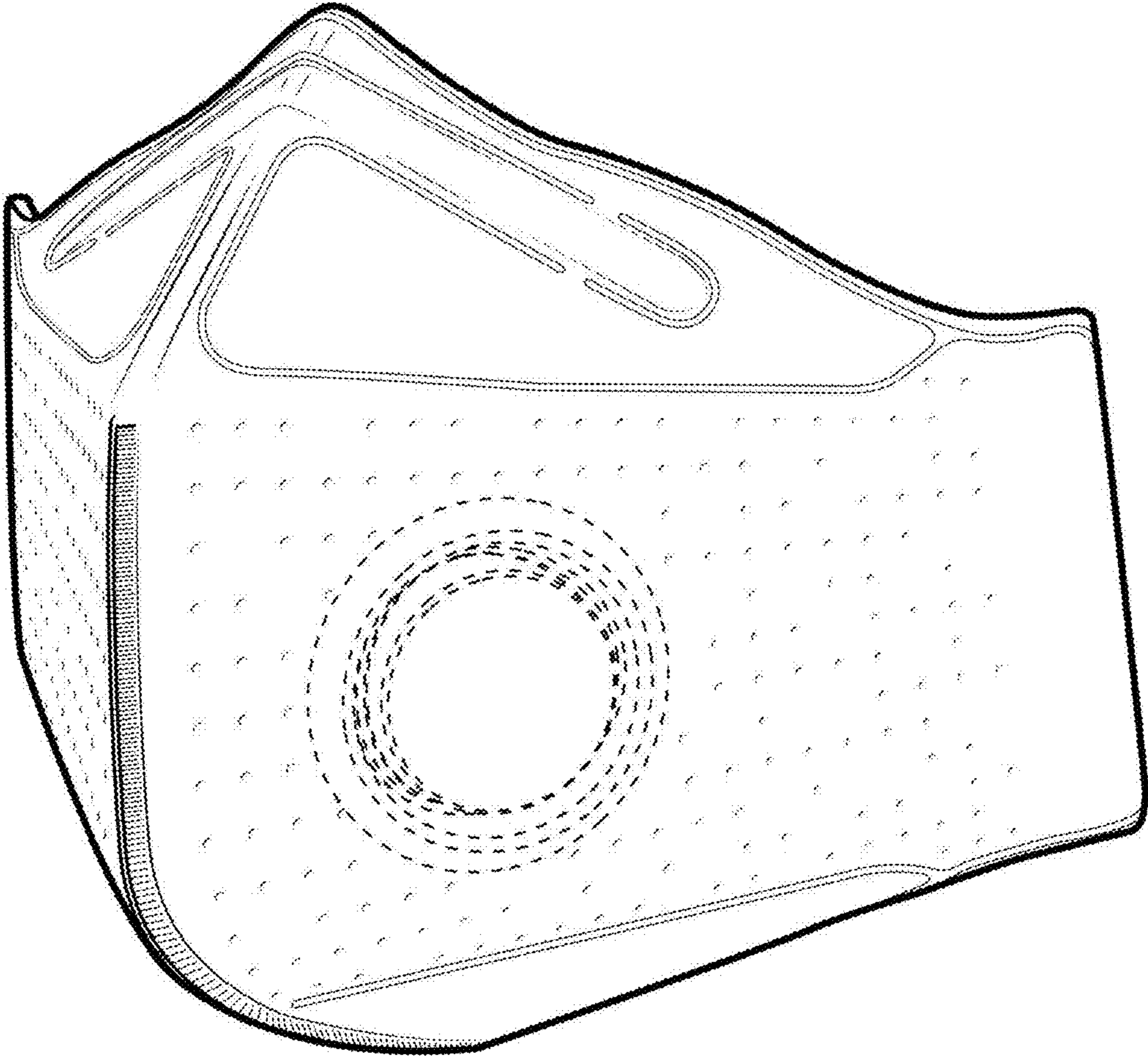


FIG. 1

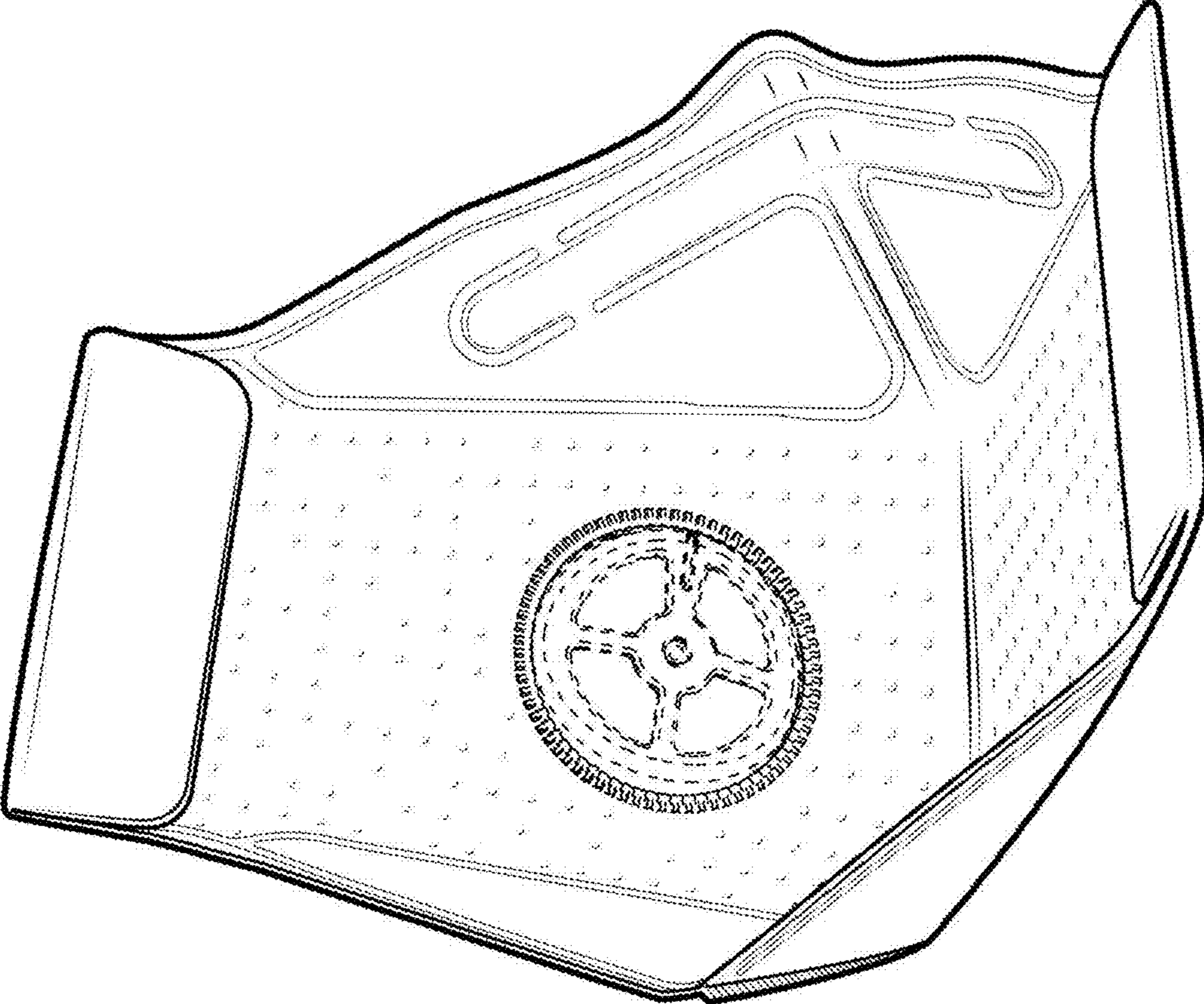


FIG. 2

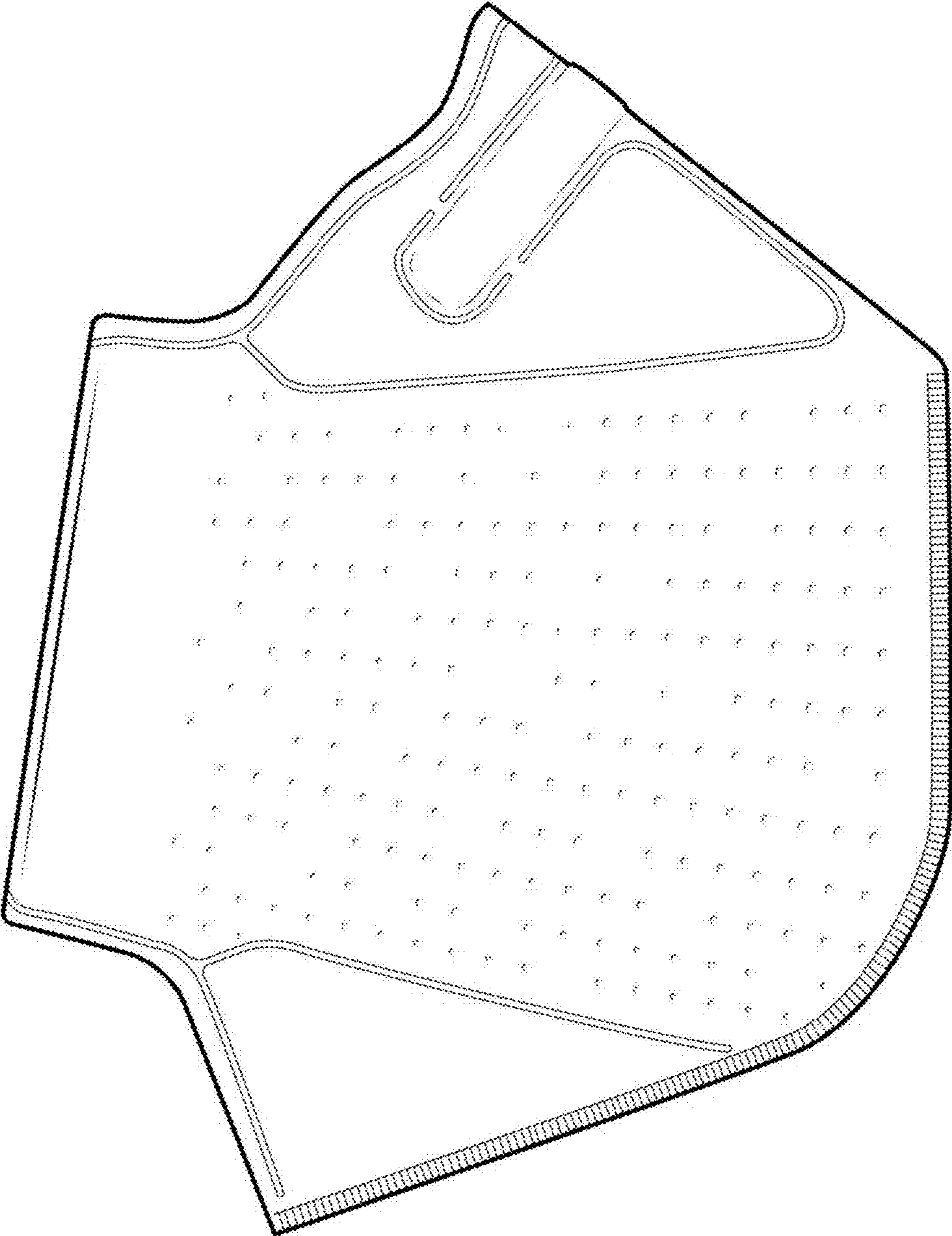


FIG. 3

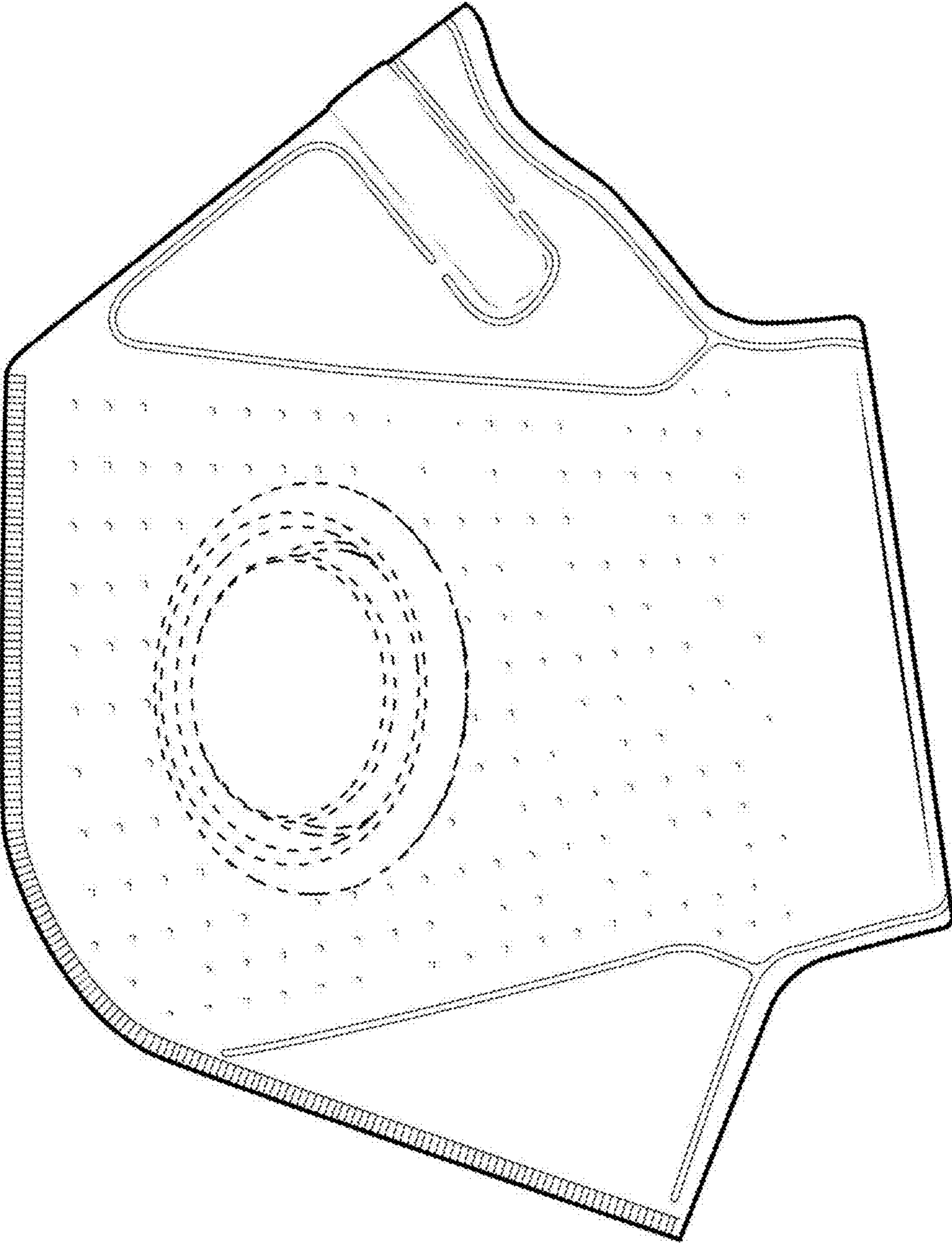


FIG. 4

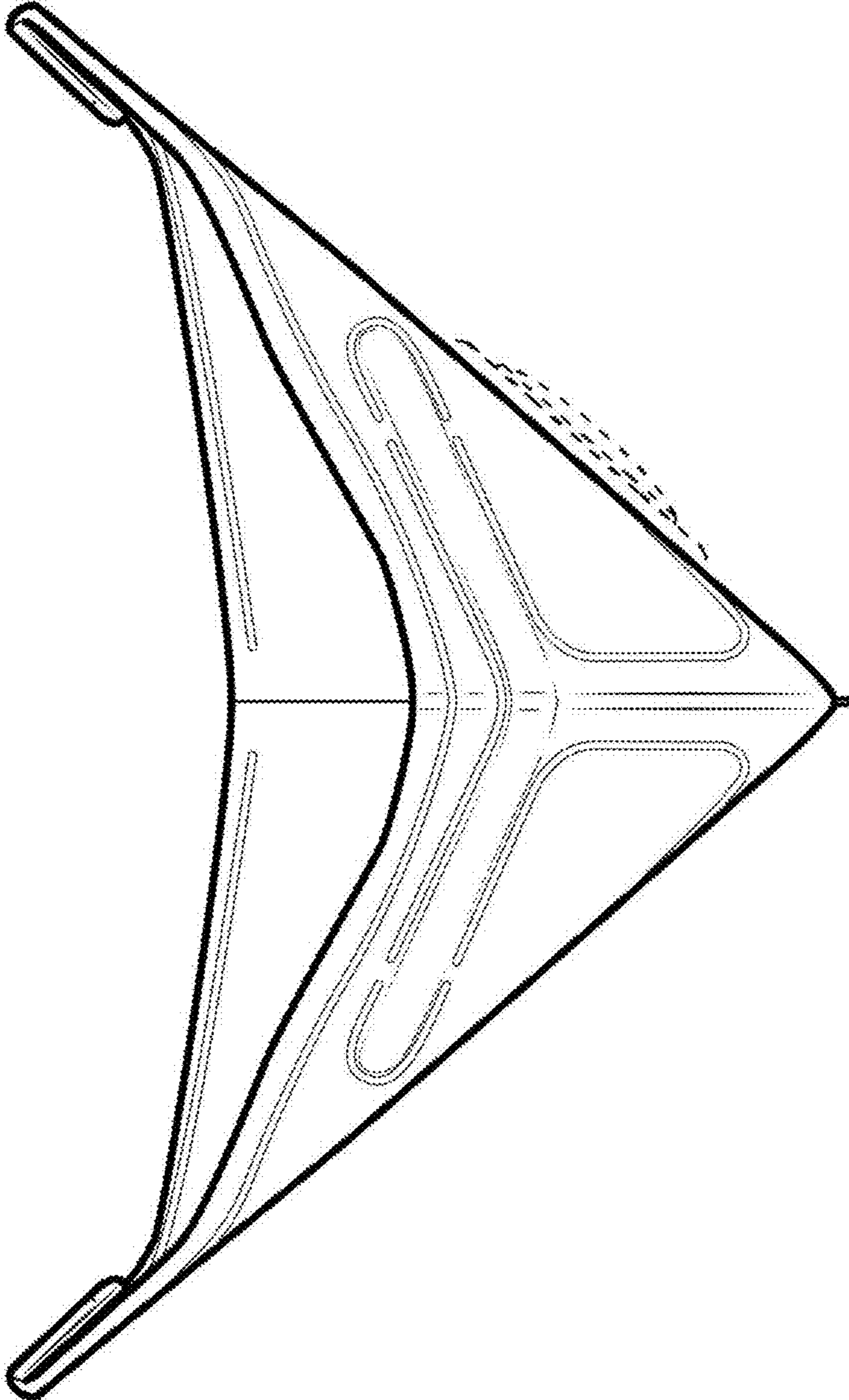


FIG. 5

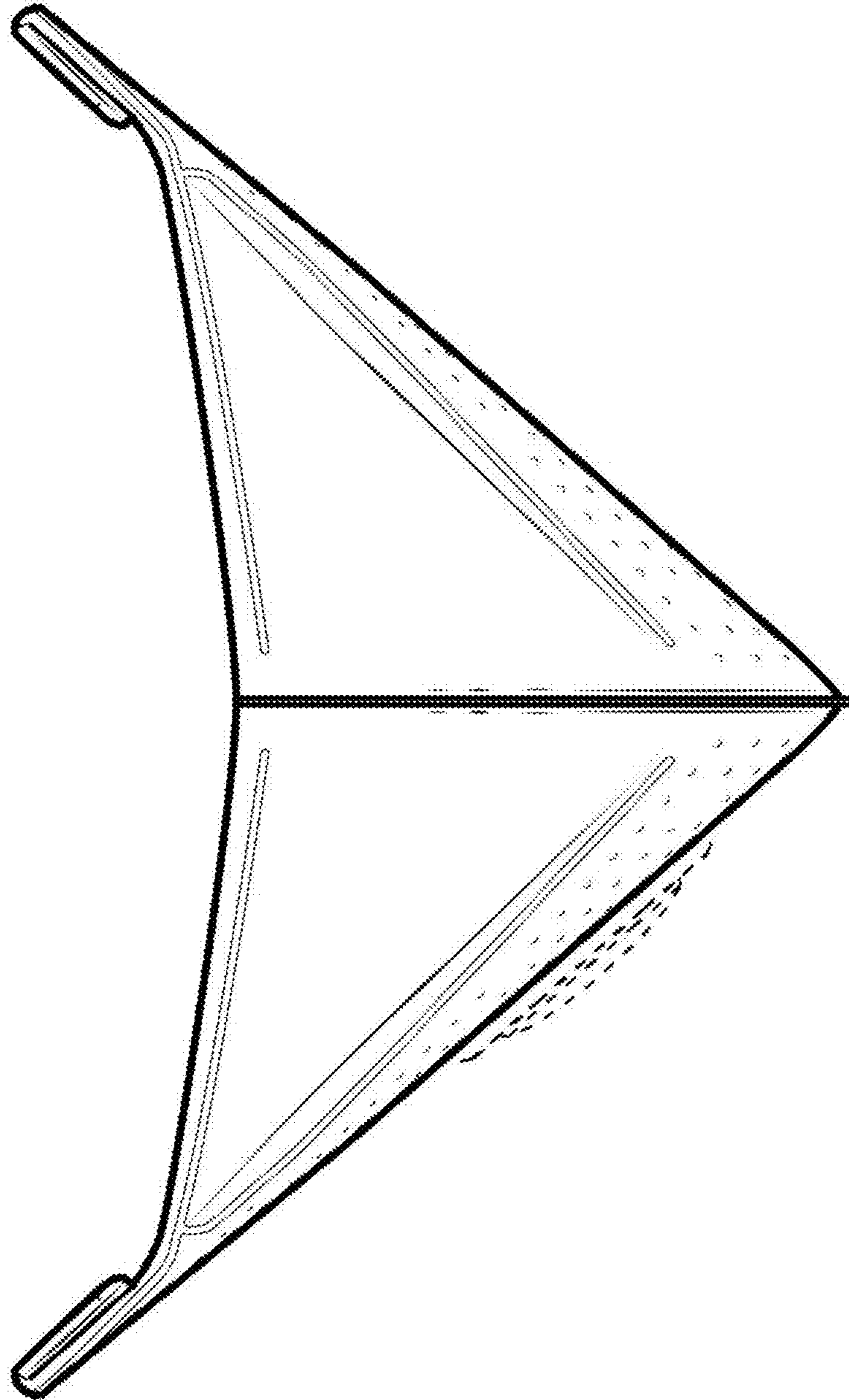


FIG. 6

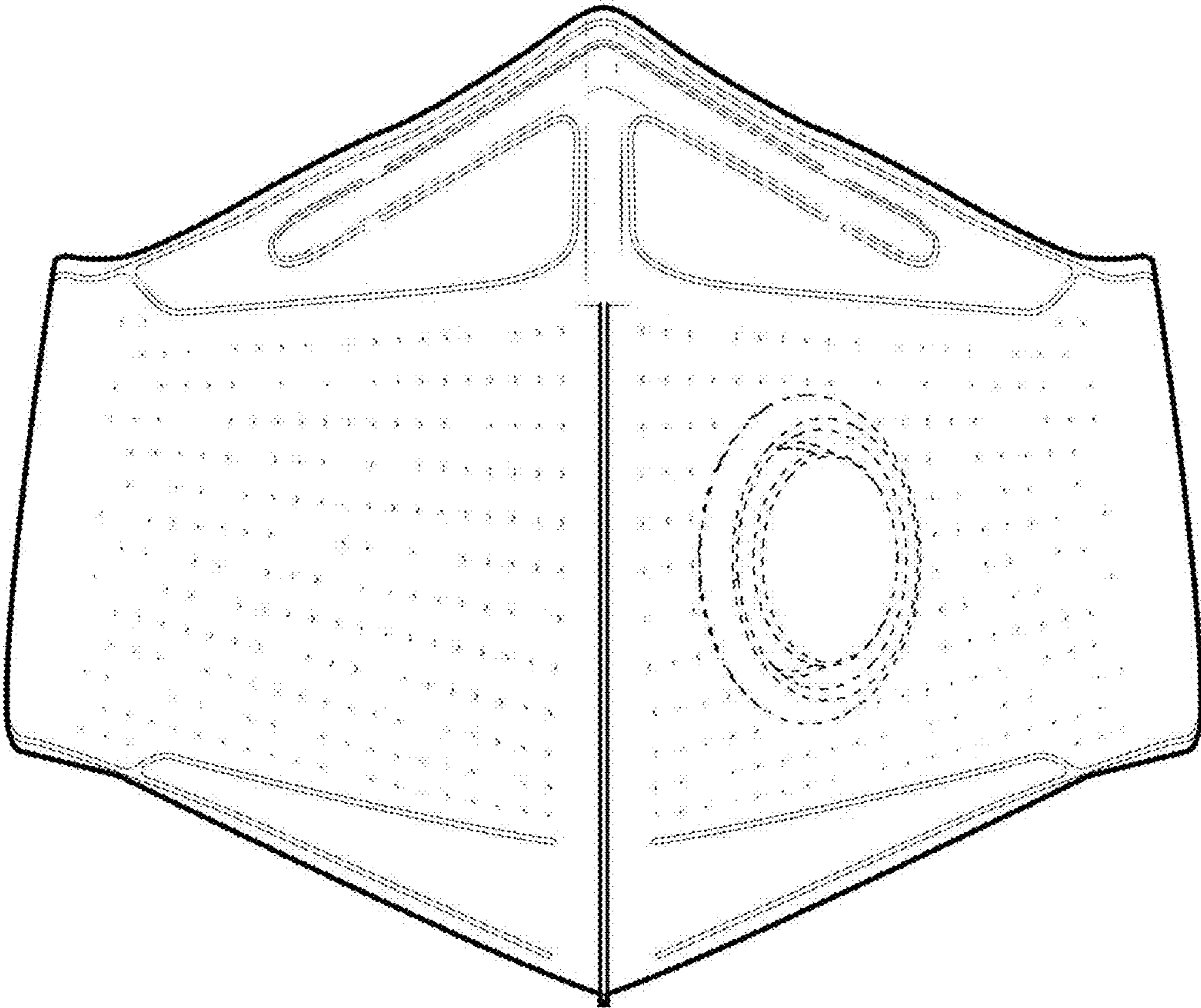


FIG. 7