



US00D821567S

(12) **United States Design Patent** (10) **Patent No.:** **US D821,567 S**
Feldman et al. (45) **Date of Patent:** **** Jun. 26, 2018**

(54) **NASAL SPRAY APPARATUS**
(71) Applicants: **Joseph Feldman**, Tel Aviv (IL); **Nitzan Primor**, Tel Aviv (IL)
(72) Inventors: **Joseph Feldman**, Tel Aviv (IL); **Nitzan Primor**, Tel Aviv (IL)
(73) Assignee: **NAVEH PHARMA (1996) LTD**, Natanya (IL)
(**) Term: **15 Years**
(21) Appl. No.: **29/593,285**
(22) Filed: **Feb. 8, 2017**
(30) **Foreign Application Priority Data**
Aug. 9, 2016 (IL) 58962
(51) **LOC (11) Cl.** **24-01**
(52) **U.S. Cl.**
USPC **D24/108**
(58) **Field of Classification Search**
USPC D24/108, 110–112, 146, 152, 176–177, D24/200; D4/101, 138; D9/447, 523, D9/723–724
CPC A61B 2017/00761; A61B 2017/320004; A61B 2018/00452; A61B 2017/00747; A61B 2217/005; A61B 17/50; A61B 2018/00476; A61M 1/0064; A61M 1/0088; A61M 2210/04; A61M 15/08; A61M 2210/0618; A61M 11/008; A61M 11/00; A61M 31/00; A61M 11/006; A61M 15/0025; A61K 9/0014; A61K 9/0043; A61C 17/02; A61C 17/0202; A61C 17/0214; A61C 17/028; A46B 2200/1066; A61H 35/04
See application file for complete search history.

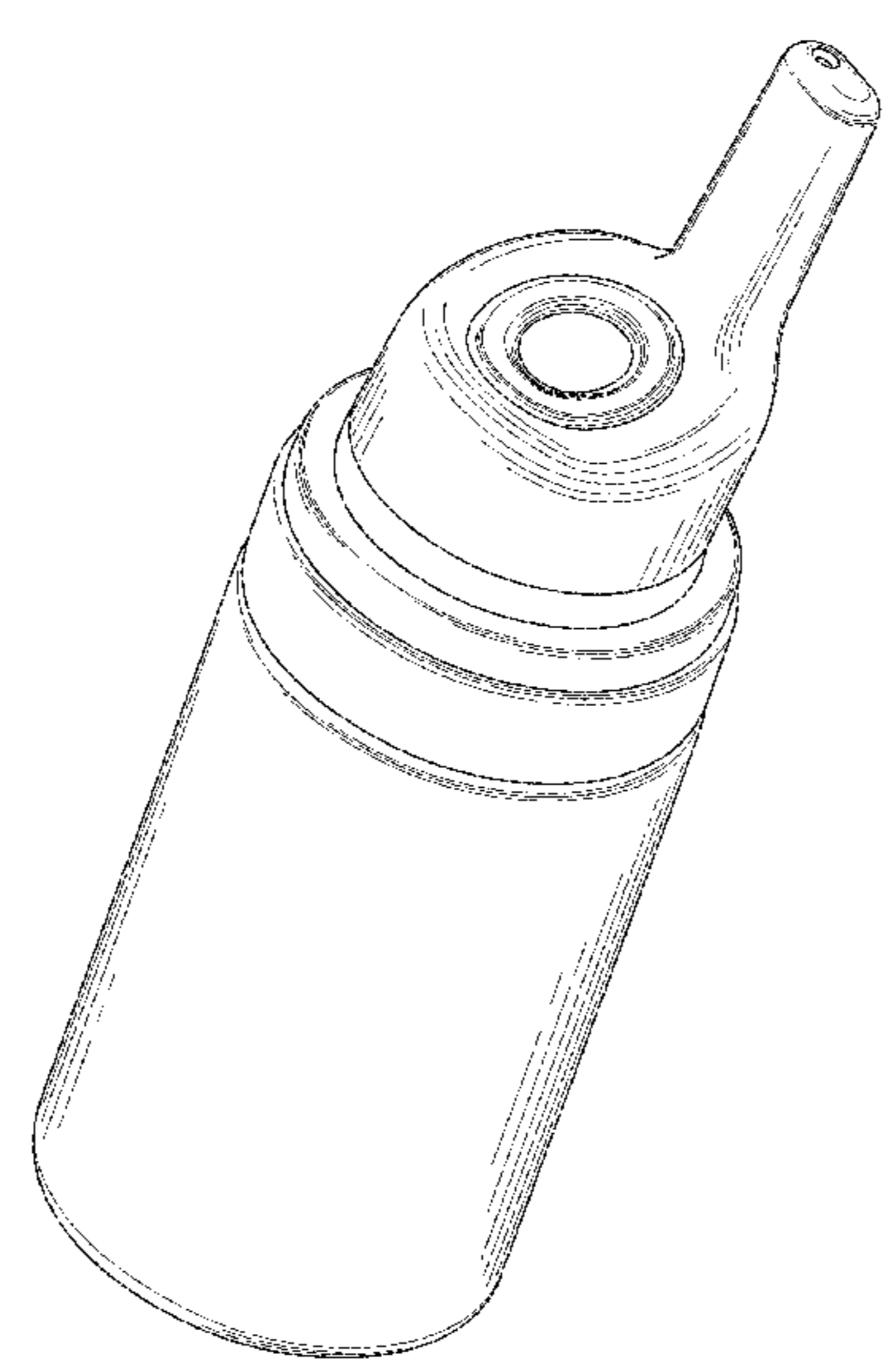
(56) **References Cited**
U.S. PATENT DOCUMENTS
D295,787 S * 5/1988 Hegemann D24/110
D334,341 S * 3/1993 Brown D7/312
D390,785 S * 2/1998 Saunders D9/523
D390,786 S * 2/1998 Saunders D9/551
D451,597 S * 12/2001 Suh D24/108
D518,379 S * 4/2006 Decottignies D9/447
D542,910 S * 5/2007 MacRae D24/108
D599,902 S * 9/2009 Lilienthal D24/110
D601,894 S * 10/2009 Cho D9/447
D631,956 S * 2/2011 Lulla D24/110
D737,951 S * 9/2015 Lindsay D24/108
D743,534 S * 11/2015 Mehta D24/108
D773,035 S * 11/2016 Neuner D24/110
2007/0075097 A1 * 4/2007 Behar B65D 83/205
222/256
2012/0031398 A1 * 2/2012 Berger A61M 15/009
128/200.21
2017/0266396 A1 * 9/2017 Feldman A61M 11/02
* cited by examiner

Primary Examiner — Karen E Kearney
Assistant Examiner — Lilyana Bekic
(74) *Attorney, Agent, or Firm* — Deborah A. Gador

(57) **CLAIM**
The ornamental design for a nasal spray apparatus, as shown and described.

DESCRIPTION
FIG. 1 is a front and top perspective view of the nasal spray apparatus showing the new design;
FIG. 2 is a front view thereof;
FIG. 3 is a rear view thereof;
FIG. 4 is a side view thereof;
FIG. 5 is a top view thereof; and,
FIG. 6 is a bottom view of thereof.
The portions of the nasal spray apparatus shown in broken lines form no part of the claimed design.

1 Claim, 4 Drawing Sheets



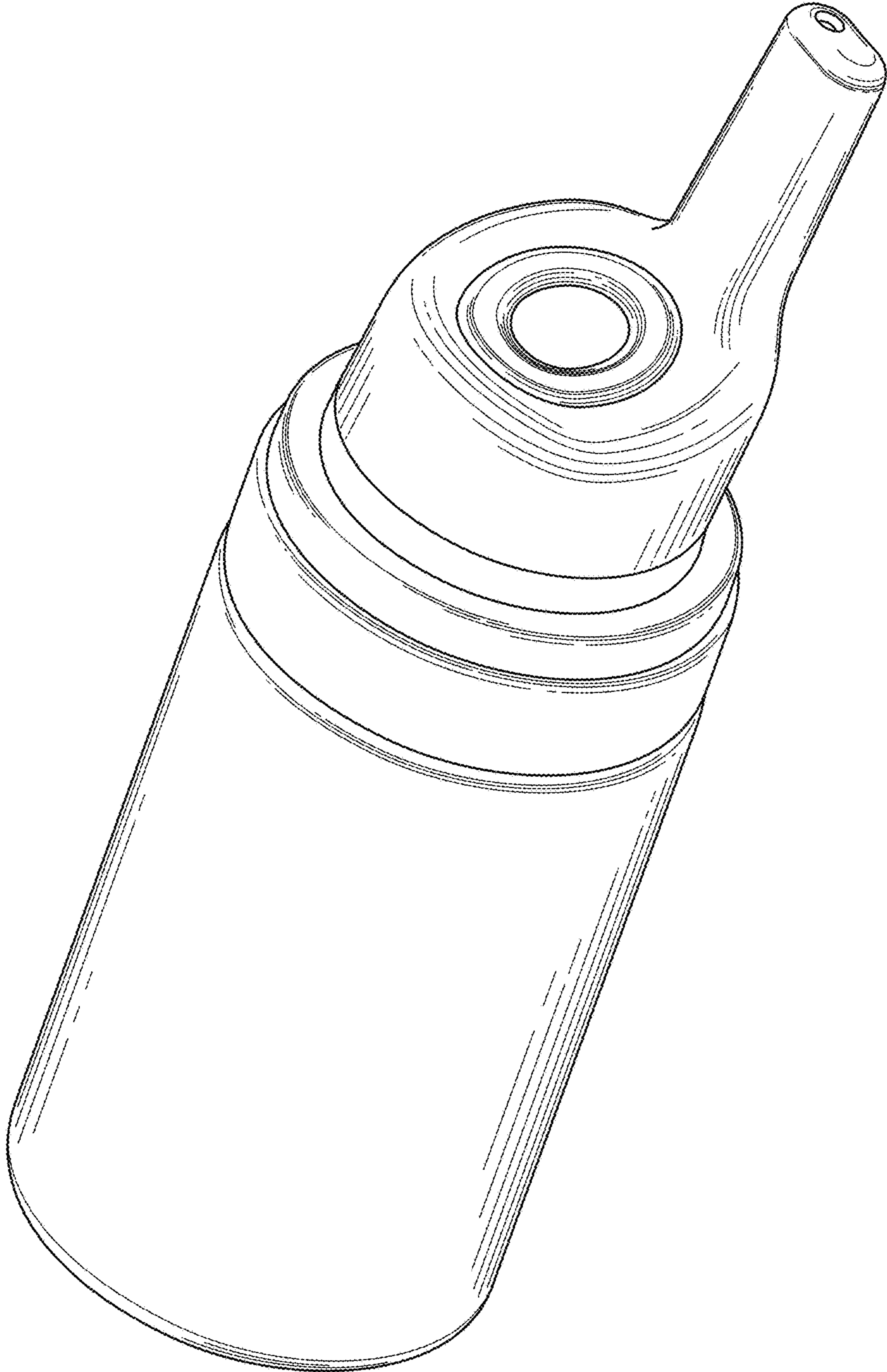


FIG. 1

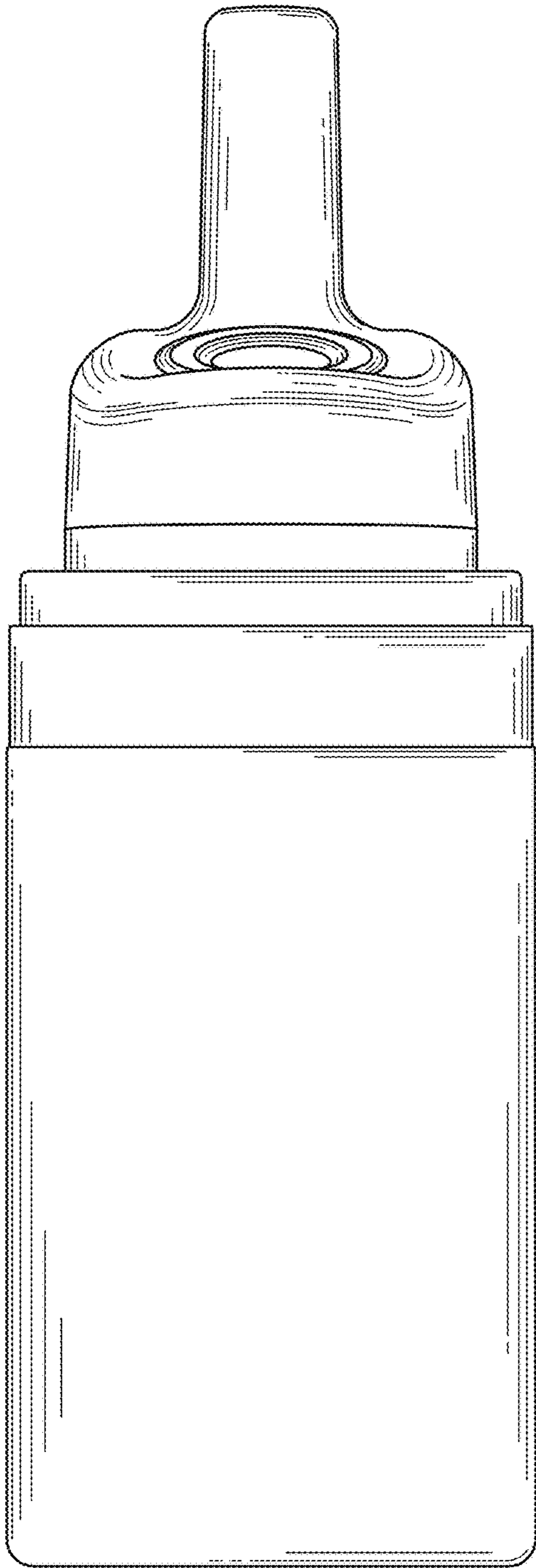


FIG. 2

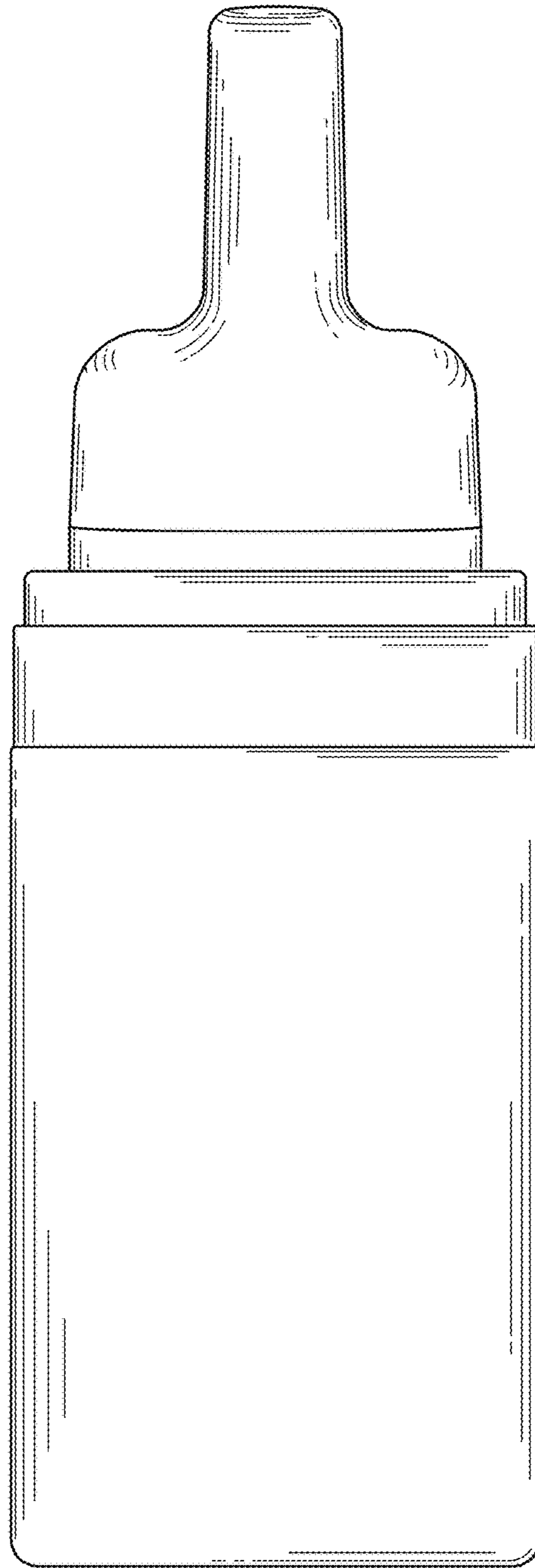


FIG. 3

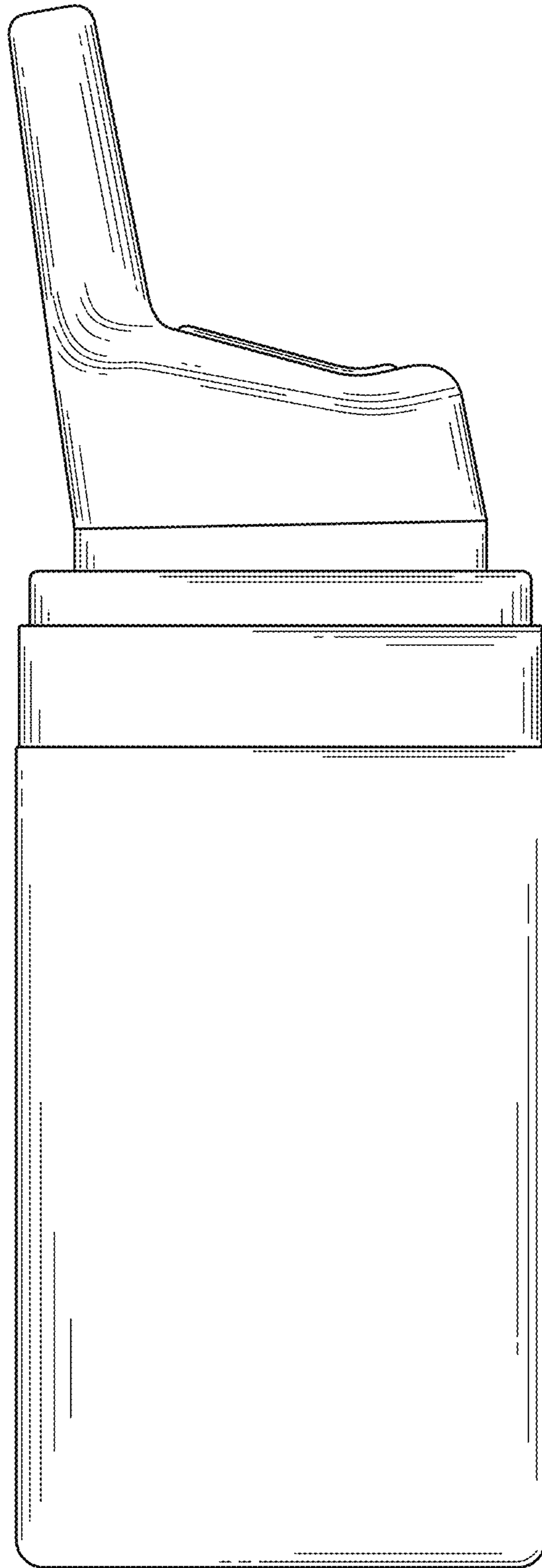


FIG. 4

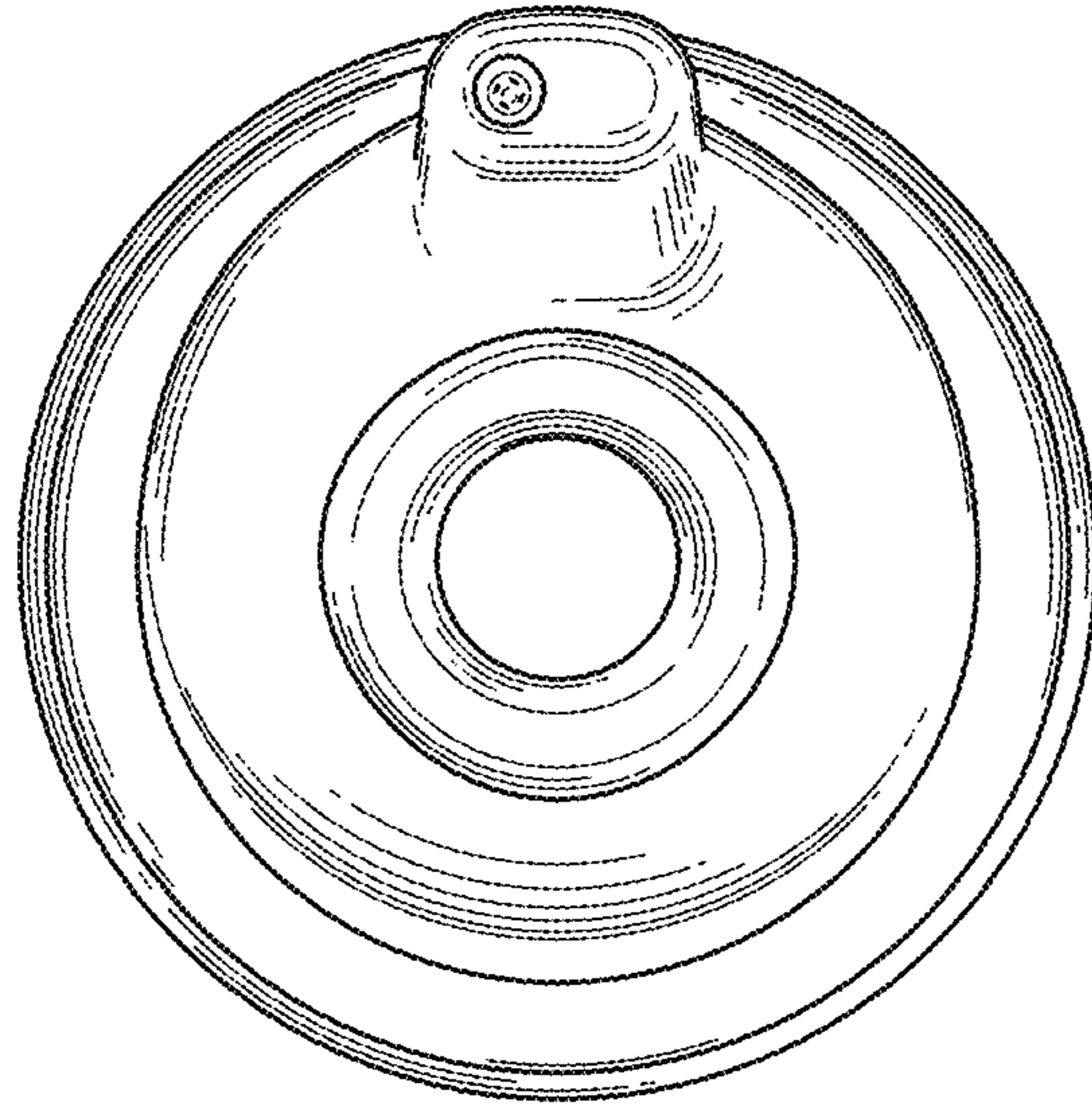


FIG. 5

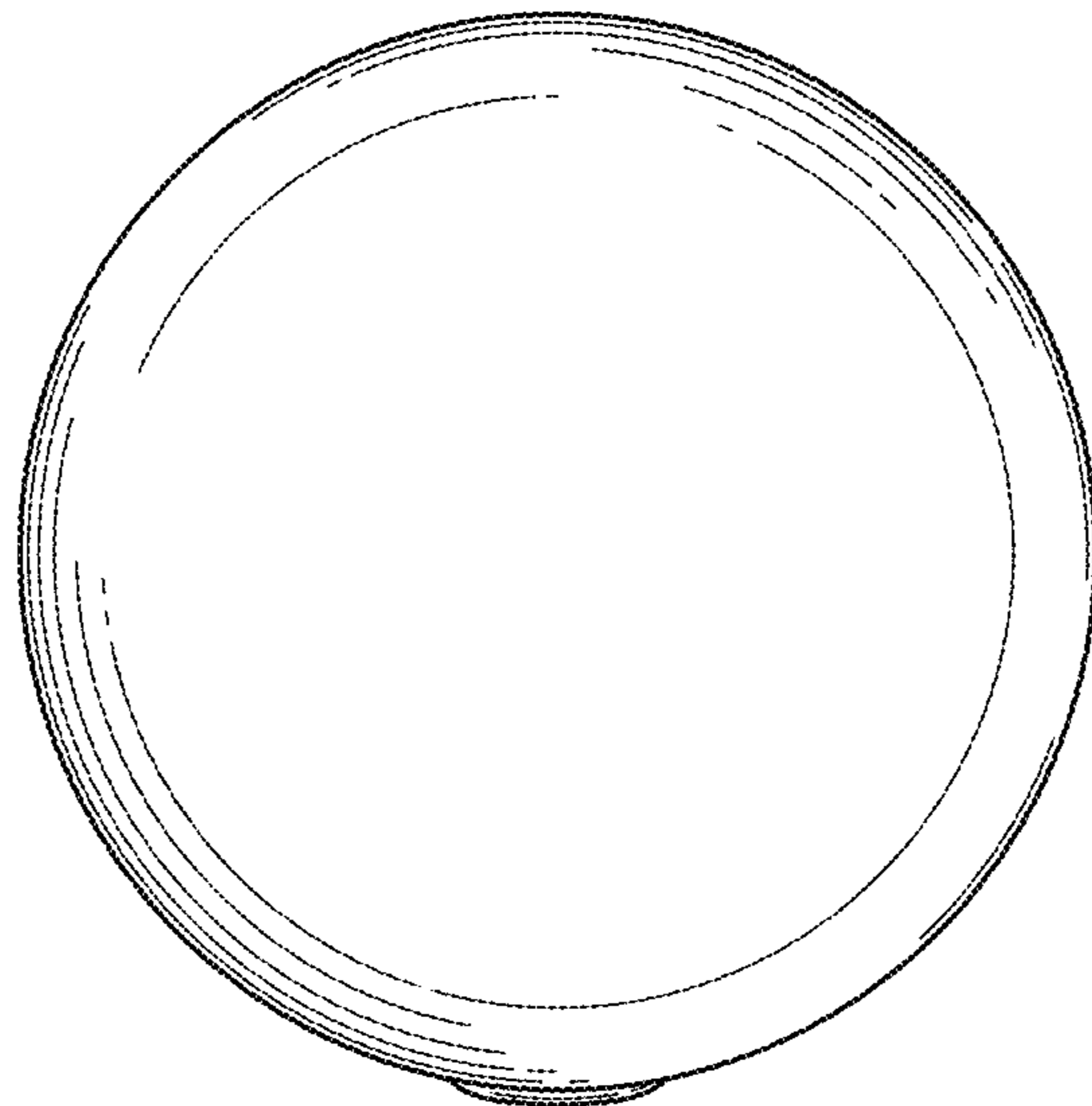


FIG. 6