



US00D821566S

(12) **United States Design Patent**
DiPiazza

(10) **Patent No.:** **US D821,566 S**
(45) **Date of Patent:** **** Jun. 26, 2018**

(54) **EAR PROTECTION DEVICE**

(71) Applicant: **Concetta DiPiazza**, Brooksville, FL
(US)

(72) Inventor: **Concetta DiPiazza**, Brooksville, FL
(US)

(**) Term: **15 Years**

(21) Appl. No.: **29/591,241**

(22) Filed: **Jan. 18, 2017**

(51) **LOC (11) Cl.** **24-04**

(52) **U.S. Cl.**
USPC **D24/106**

(58) **Field of Classification Search**
USPC D24/106, 173, 174; D14/223; D29/112
CPC A61F 11/08; A61F 2011/085
See application file for complete search history.

(56) **References Cited**

U.S. PATENT DOCUMENTS

333,724	A *	1/1886	Blodgett	H04R 25/652	181/130
2,393,005	A *	1/1946	Veneklasen	A61F 11/08	128/864
4,537,187	A *	8/1985	Scott	A61F 11/08	128/864
D452,909	S *	1/2002	Saulce	D24/106	
D492,991	S *	7/2004	Chiang	A61F 11/08	D24/106

9,237,968	B1 *	1/2016	Orman	A61F 11/08	
D773,032	S *	11/2016	Palmborg	D24/106	
2015/0209185	A1 *	7/2015	DiPiazza	A61F 11/08	128/864

* cited by examiner

Primary Examiner — Richelle G Shelton

(74) *Attorney, Agent, or Firm* — Gulf Coast Intellectual Property Group

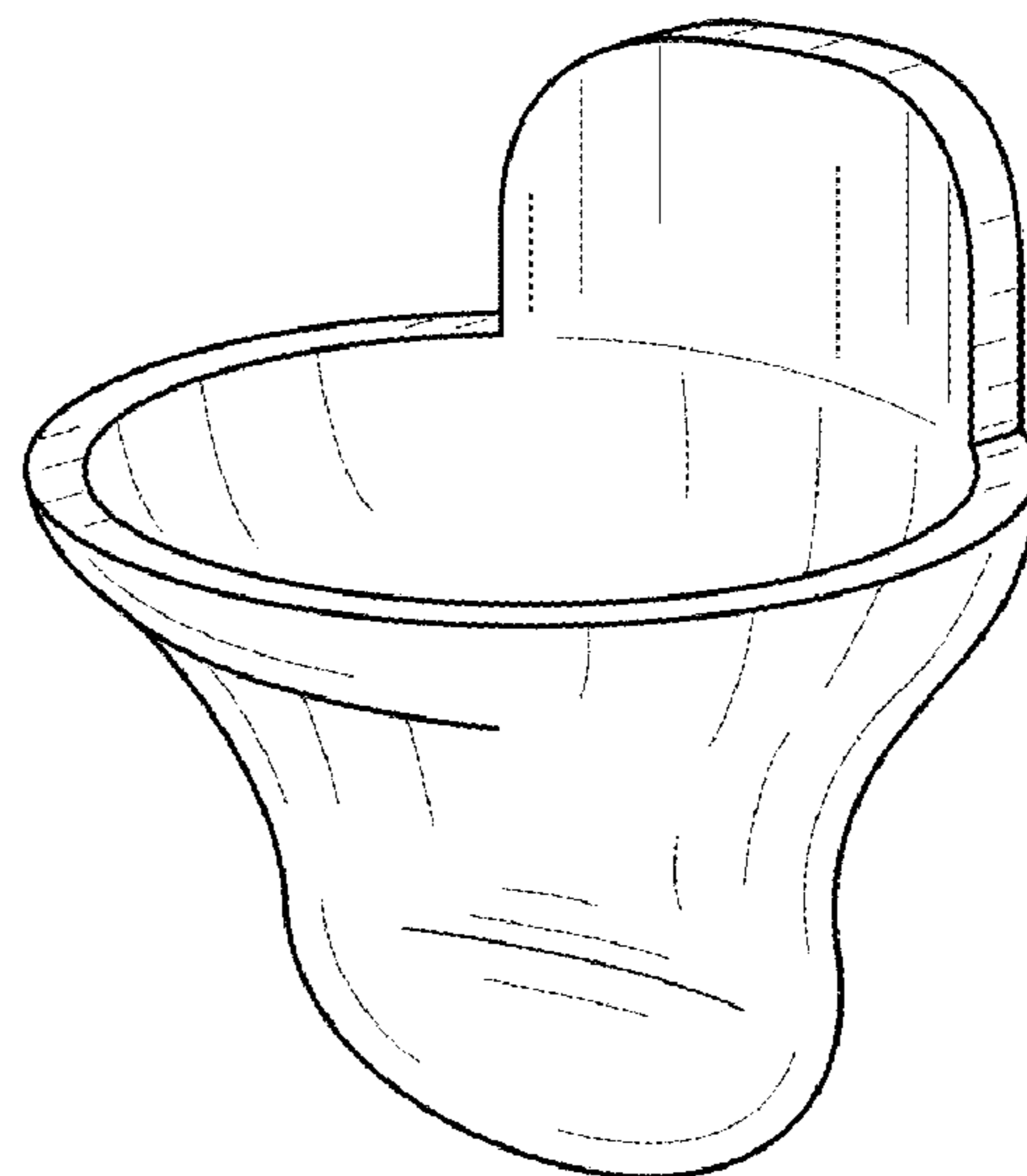
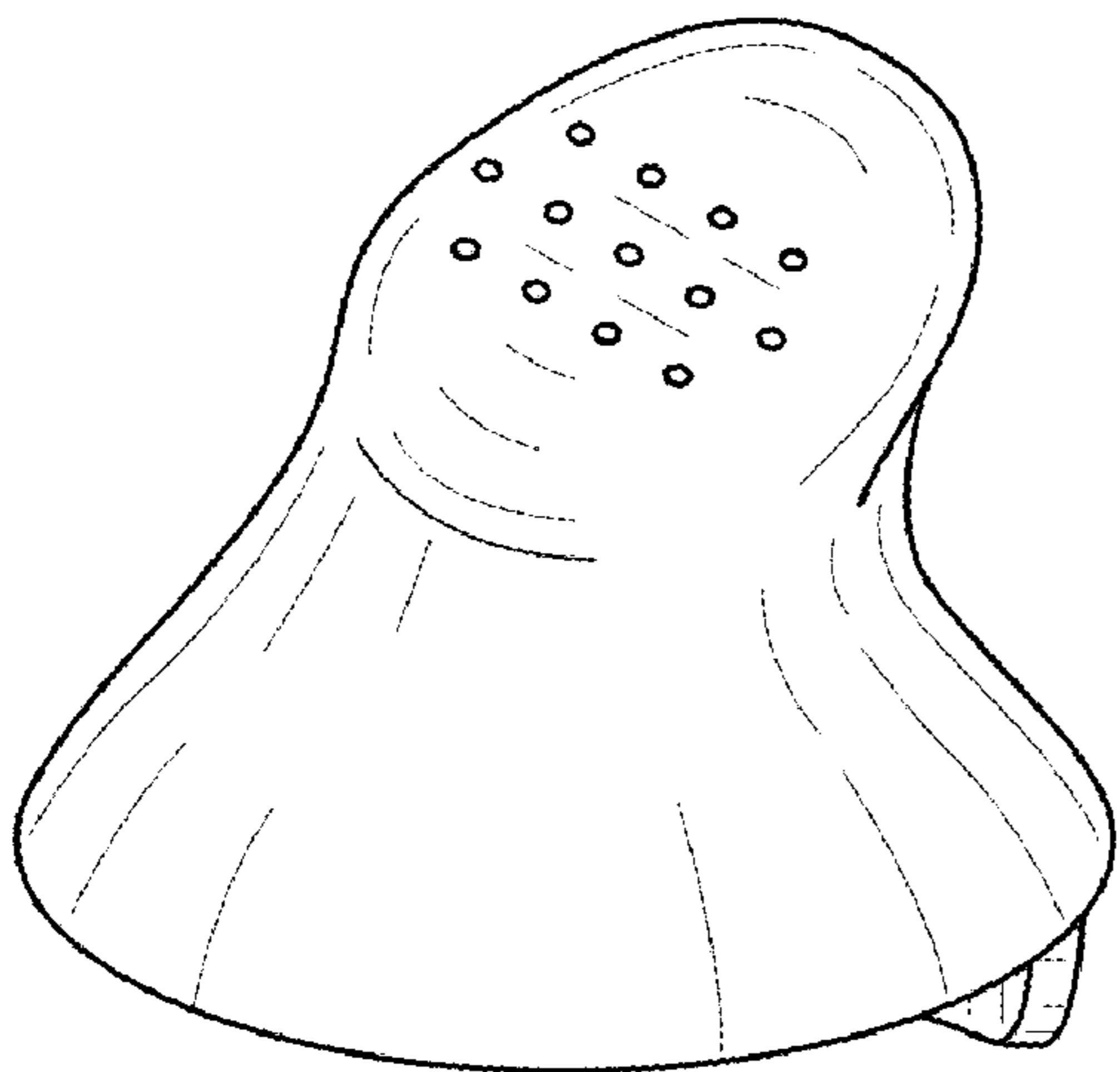
(57) **CLAIM**

The ornamental design for the ear protection device, as shown and described.

DESCRIPTION

FIG. 1 is a bottom perspective view of the present invention; and
FIG. 2 is a top perspective view thereof; and
FIG. 3 is a rear side view thereof; and
FIG. 4 is a front side view thereof; and
FIG. 5 is a bottom view thereof; and
FIG. 6 is a top view thereof; and
FIG. 7 is a left side view thereof; and
FIG. 8 is a right side view thereof; and,
FIG. 9 is a perspective view thereof in a human ear.
Wherein the dotted lines herein illustrate environment and use and do not form any part of the claimed design.

1 Claim, 3 Drawing Sheets



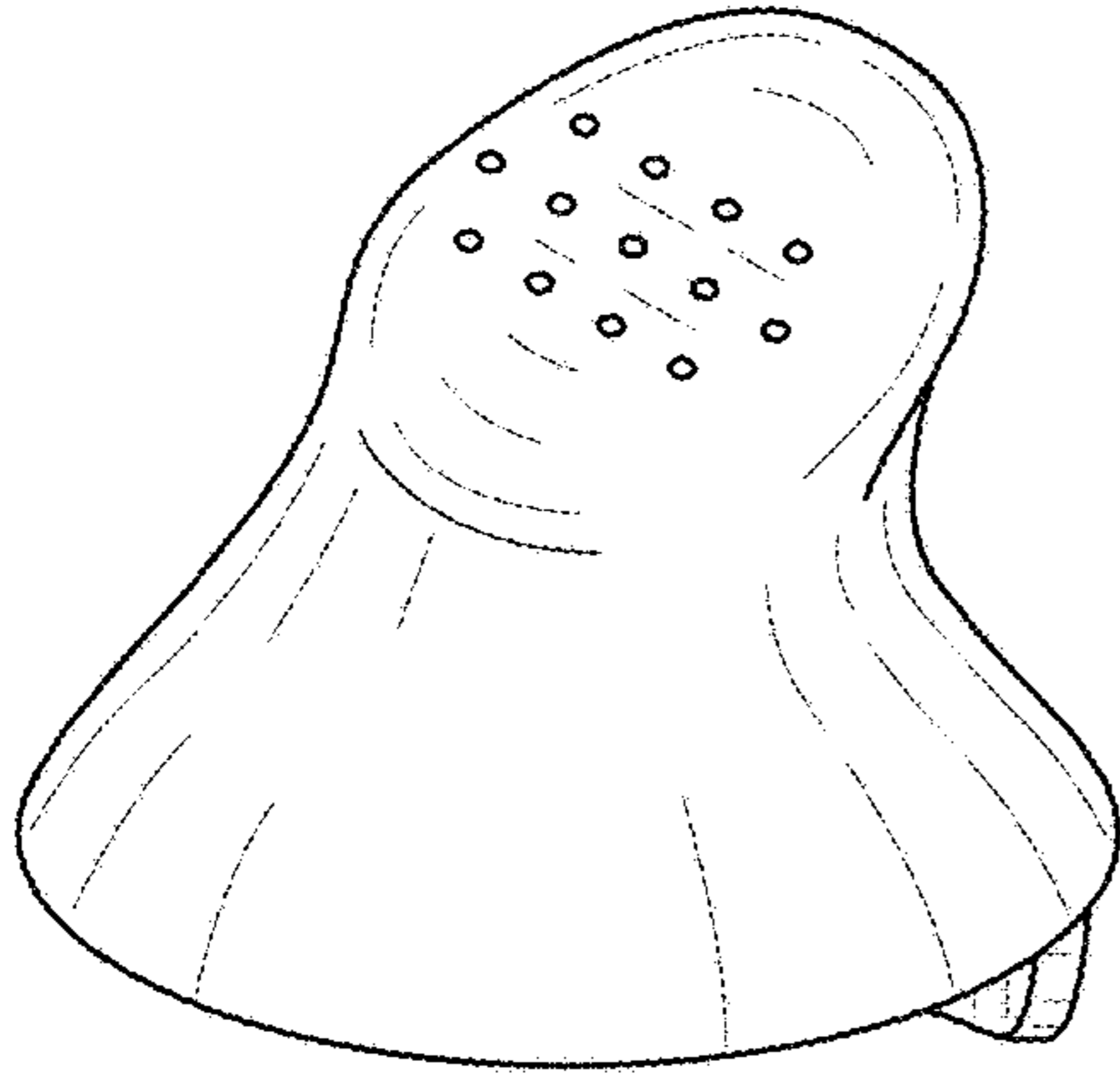


FIG. 1

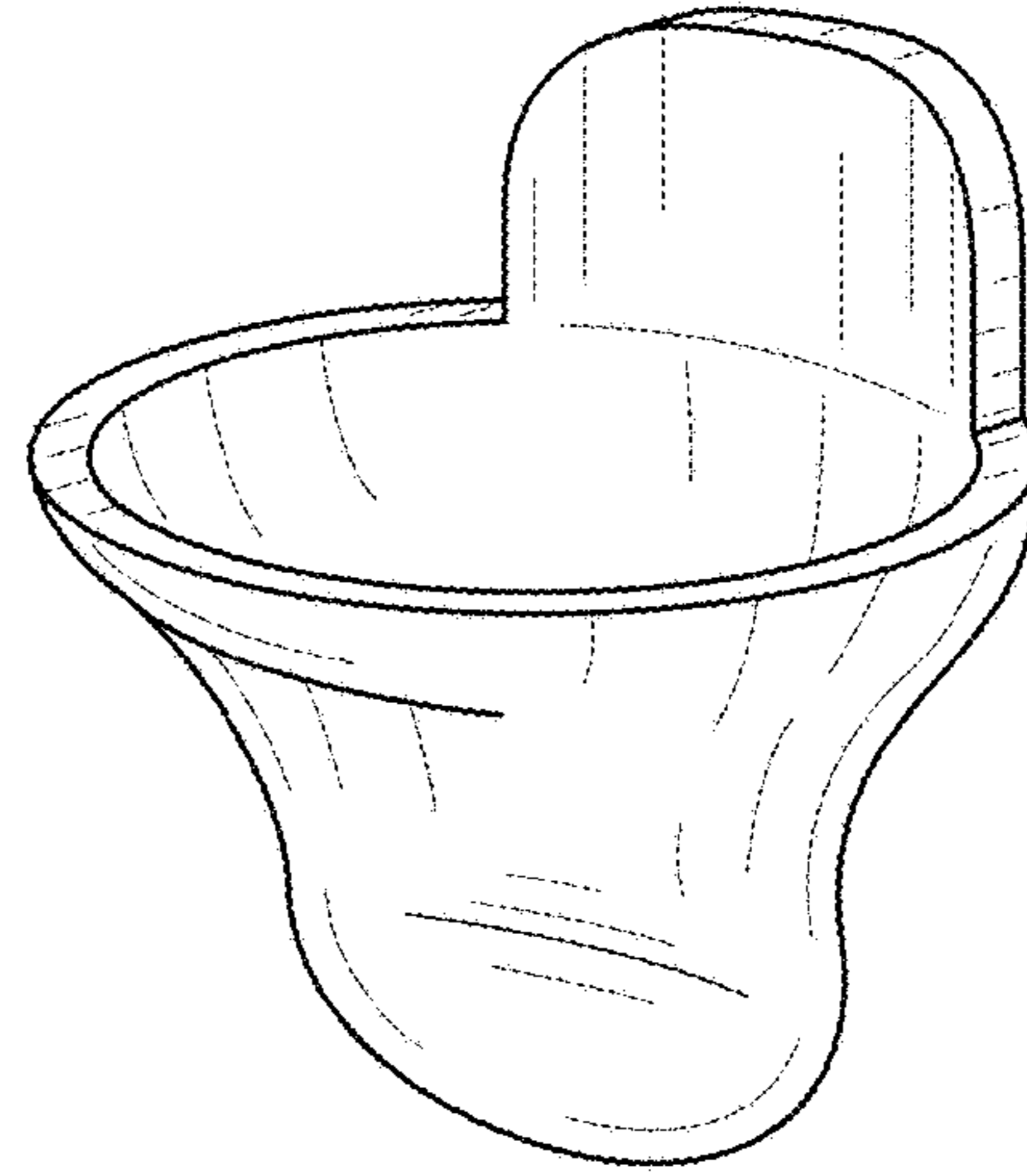


FIG. 2

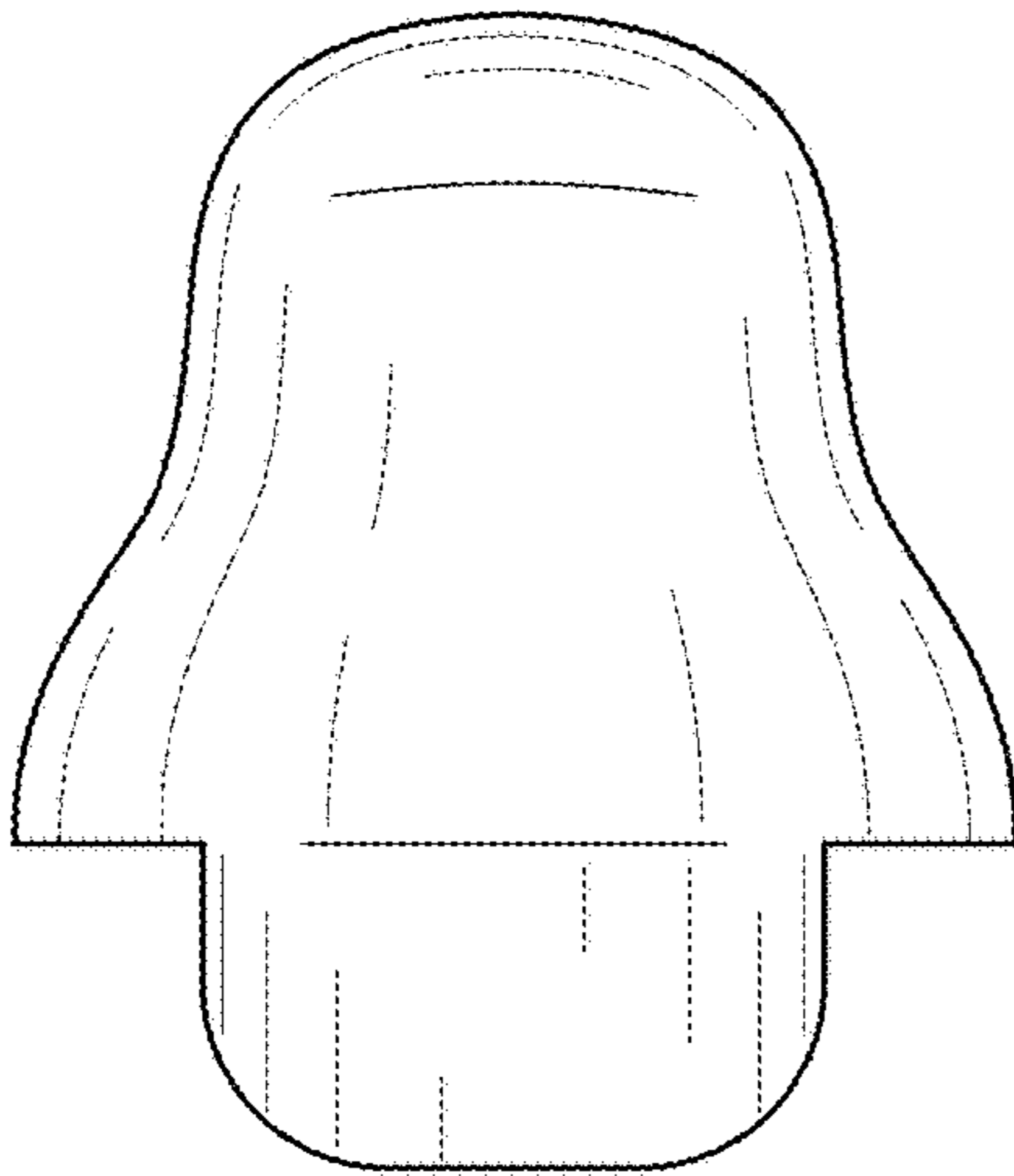


FIG. 3

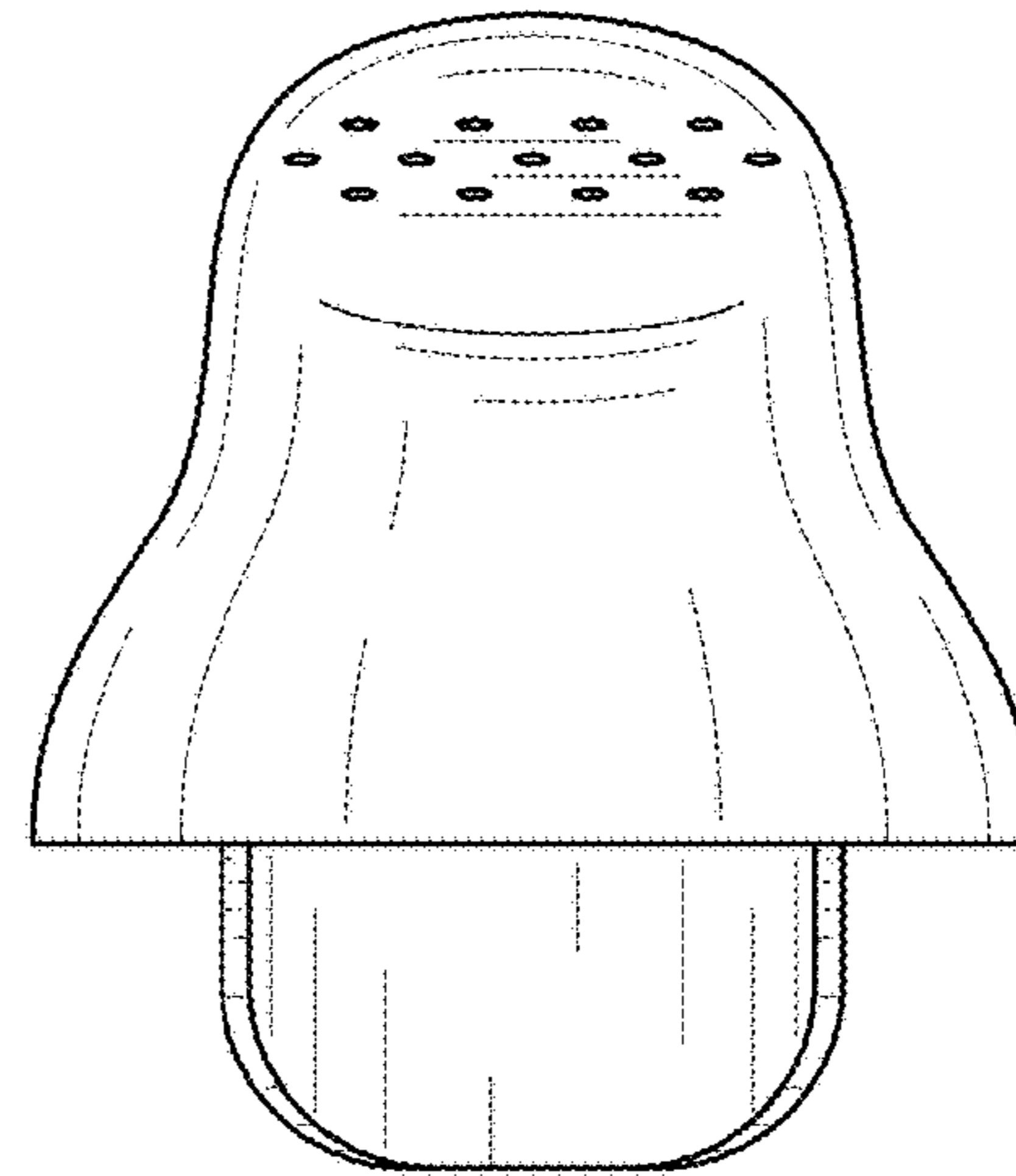


FIG. 4

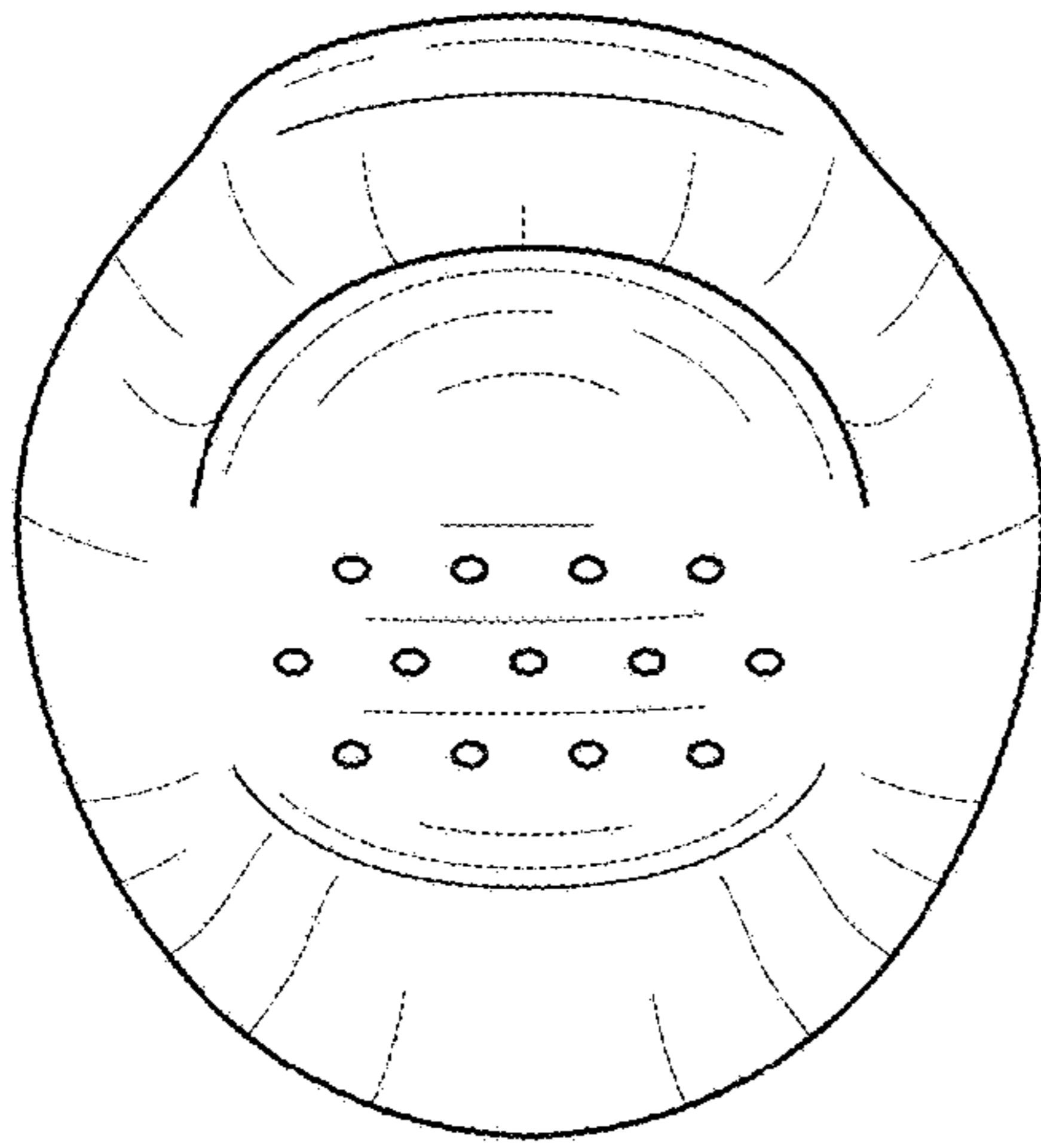


FIG. 5

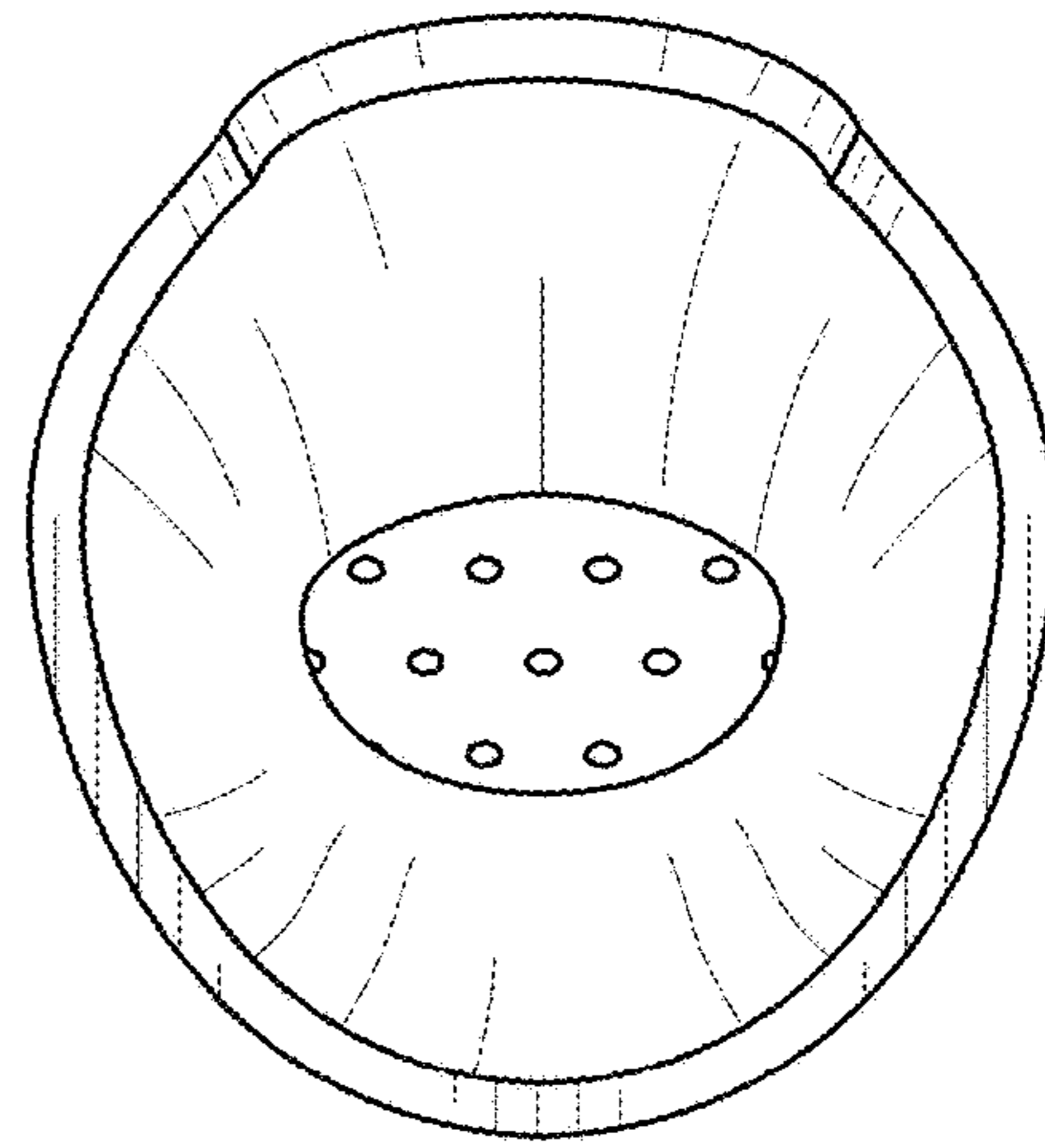


FIG. 6

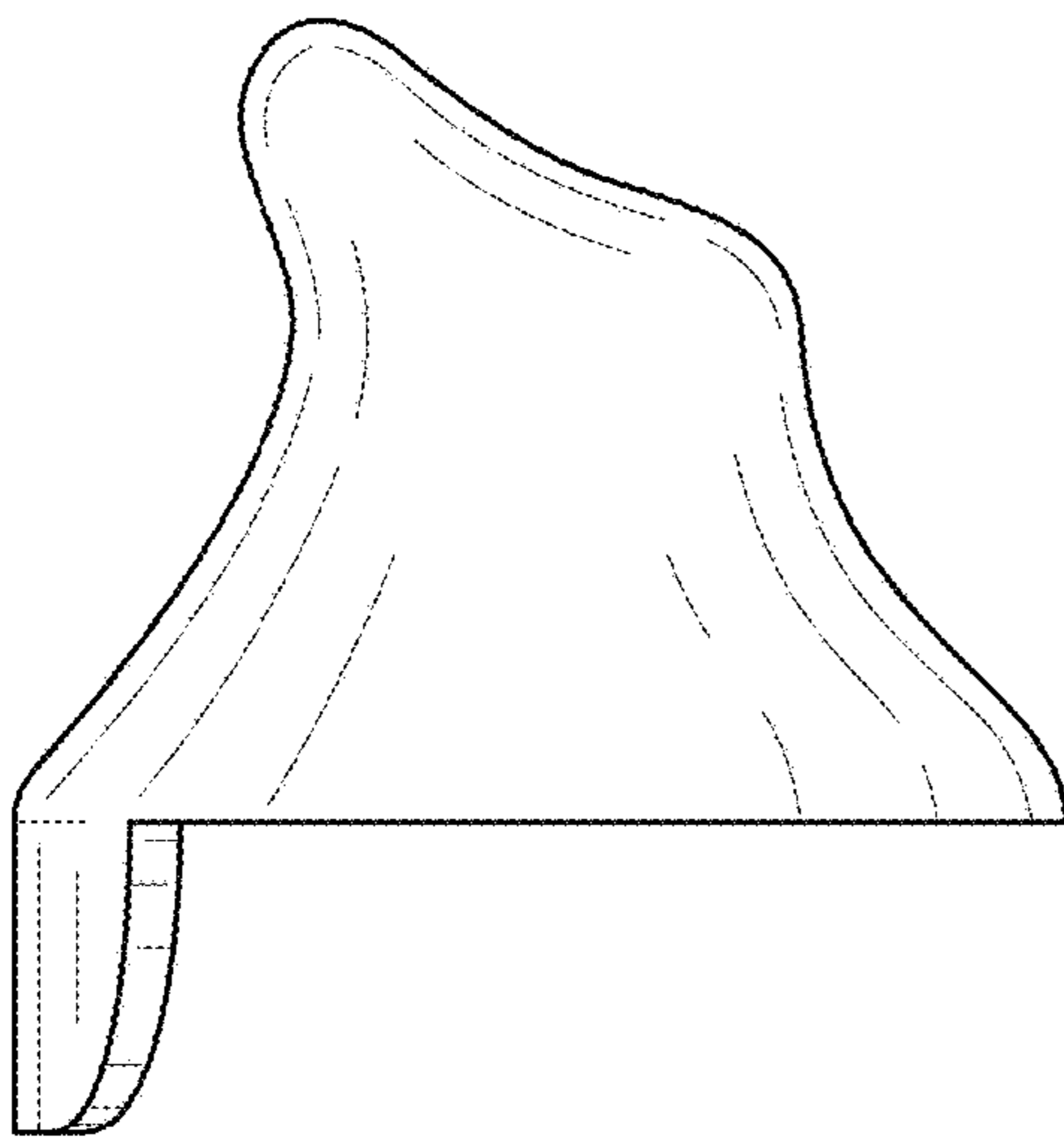


FIG. 7

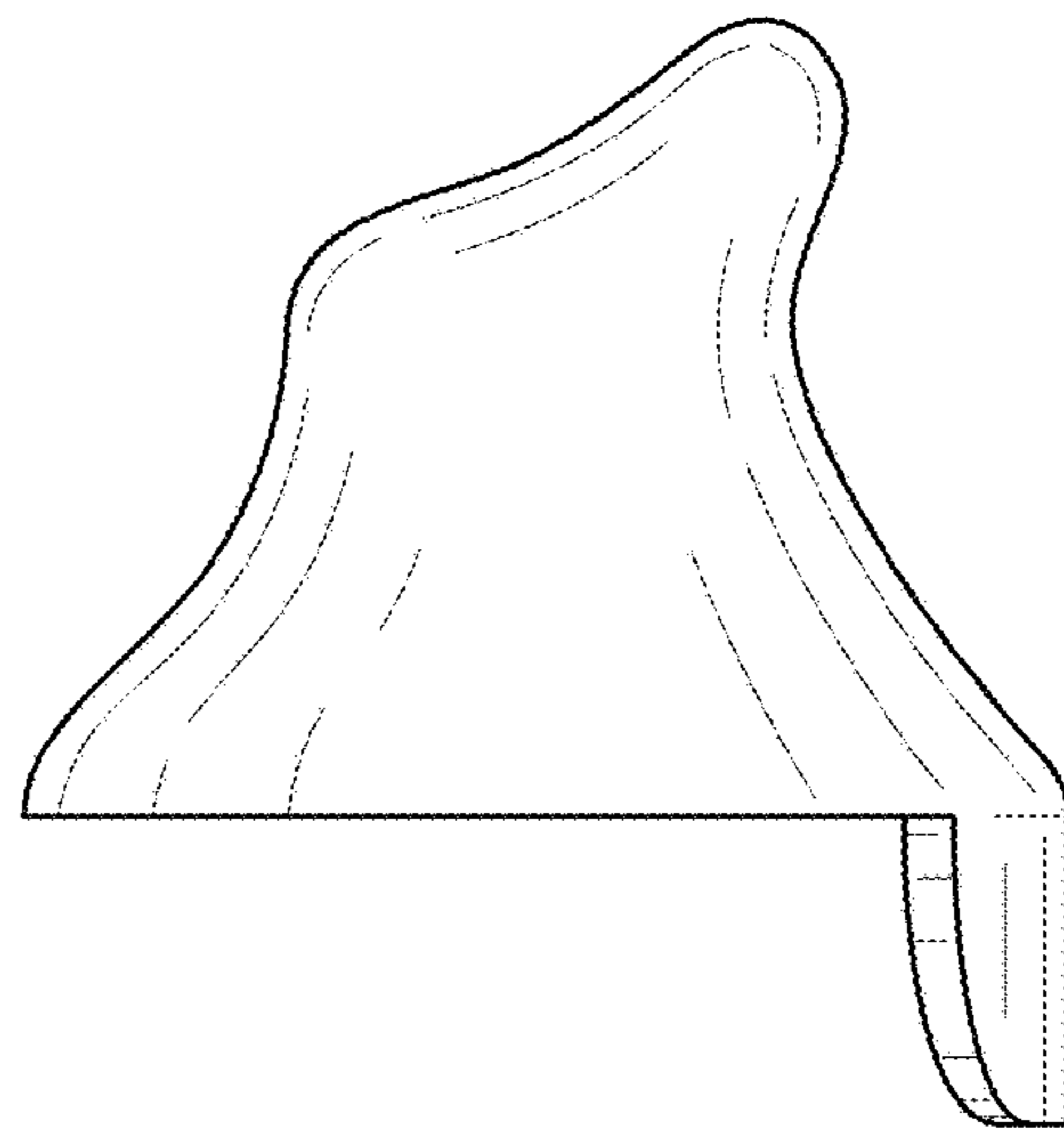


FIG. 8

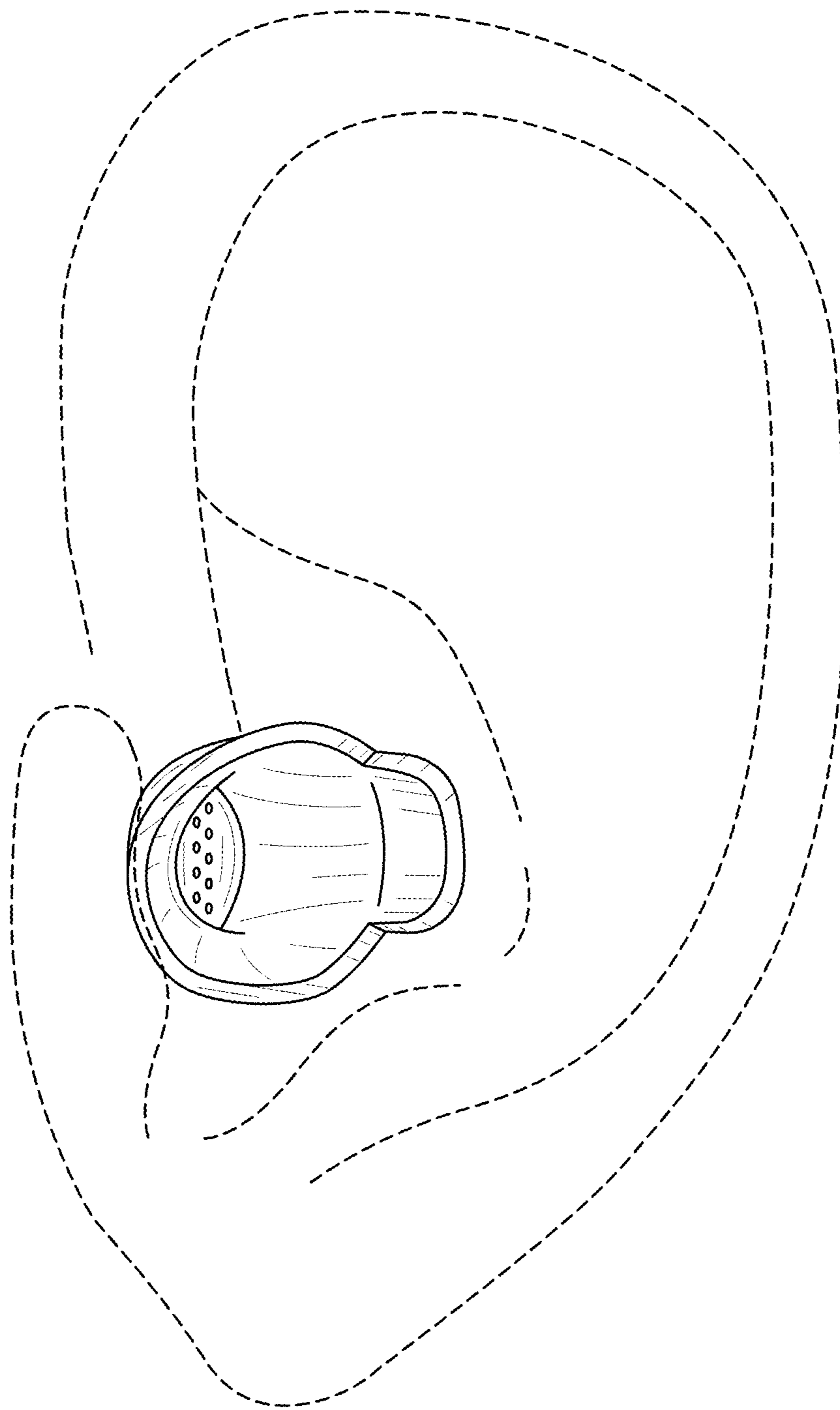


FIG. 9