



US00D821562S

(12) **United States Design Patent**
Haggar et al.

(10) **Patent No.:** **US D821,562 S**
(45) **Date of Patent:** **** Jun. 26, 2018**

- (54) **CEILING FAN MOTOR HOUSING**
- (71) Applicant: **HUNTER FAN COMPANY**,
Memphis, TN (US)
- (72) Inventors: **Alexander Jonathan Haggar**,
Memphis, TN (US); **Claire Bernice**
McRoberts, Memphis, TN (US)
- (73) Assignee: **Hunter Fan Company**, Memphis, TN
(US)
- (**) Term: **15 Years**
- (21) Appl. No.: **29/614,824**
- (22) Filed: **Aug. 23, 2017**

Related U.S. Application Data

- (63) Continuation of application No. 29/582,746, filed on
Oct. 31, 2016, now Pat. No. Des. 804,640.
- (51) **LOC (11) Cl.** **23-04**
- (52) **U.S. Cl.**
USPC **D23/411**
- (58) **Field of Classification Search**
USPC D23/370, 377, 379, 385, 411; D26/59
CPC F04D 25/088; F21V 33/0096
See application file for complete search history.

References Cited

U.S. PATENT DOCUMENTS

4,073,598 A	2/1978	Mizutani et al.	
D356,176 S	3/1995	Tsuji	
D363,540 S	10/1995	Yen	
D383,528 S	9/1997	Collmar	
D414,860 S	10/1999	Thomas, Jr.	
D428,982 S *	8/2000	Oldenburg D23/377
D430,280 S	8/2000	Huang	
D451,995 S	12/2001	Wen	
D476,406 S	6/2003	Friedes	
D476,411 S	6/2003	Friedes	
D476,728 S	7/2003	Gajewski	
D479,872 S	9/2003	Young	

D482,436 S	11/2003	Young	
D510,622 S	10/2005	Tai	
D519,661 S	4/2006	Young	
D525,696 S	7/2006	Ertze	
D529,163 S	9/2006	Young	
D627,050 S	11/2010	Pan	
D627,051 S	11/2010	Pan	
D628,688 S *	12/2010	Pan D23/377
D632,381 S *	2/2011	Davenport D23/377
D633,611 S *	3/2011	Pan D23/377

(Continued)

OTHER PUBLICATIONS

<http://www.kichler.com/products/product/52-inch-kittery-point-fan-pn-300020pn.aspx>, Item Specification for 52" Kittery Point Fan PN, Accessed Oct. 25, 2016.

(Continued)

Primary Examiner — Janice Hallmark

(74) *Attorney, Agent, or Firm* — McGarry Bair PC

(57) **CLAIM**

The ornamental design for a ceiling fan motor housing, as shown and described.

DESCRIPTION

FIG. 1 is a top perspective view of a motor housing of the ceiling fan motor housing according to an embodiment of the invention;

FIG. 2 is a bottom perspective view of the ceiling fan motor housing of FIG. 1;

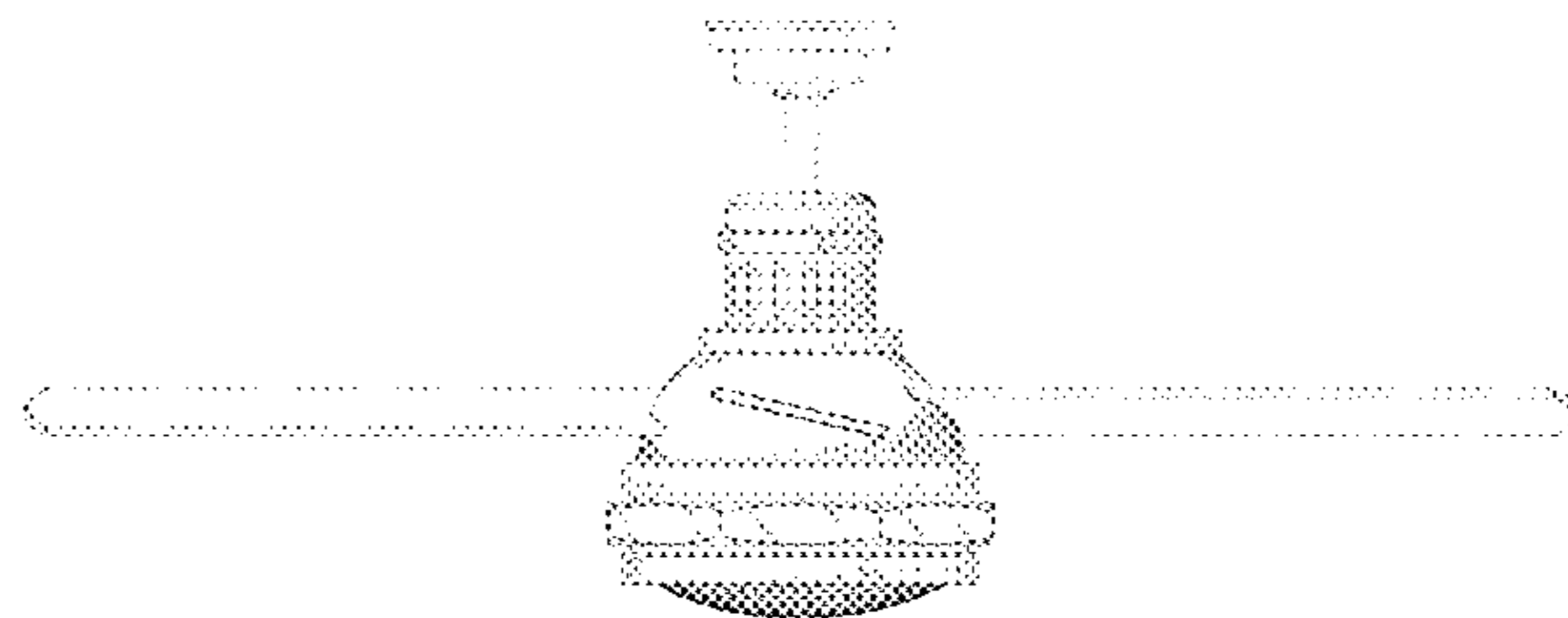
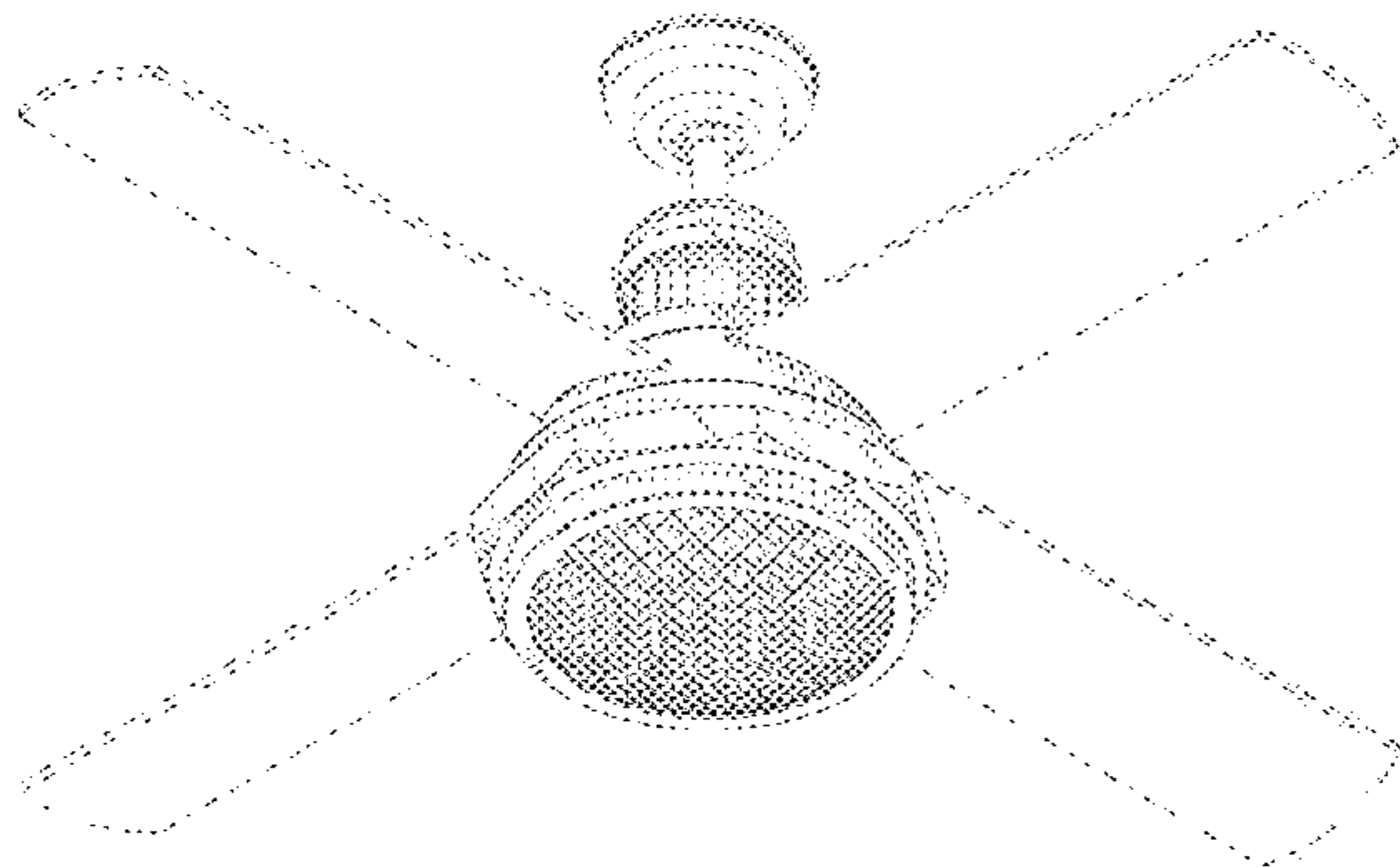
FIG. 3 is a side view of the ceiling fan motor housing of FIG. 1;

FIG. 4 is a bottom view of the ceiling fan motor housing of FIG. 1; and,

FIG. 5 is a top view of the ceiling fan motor housing of FIG. 1.

The broken lines immediately adjacent the shaded areas depict the bounds of the claimed design, while all other broken lines are directed to environment.

1 Claim, 5 Drawing Sheets



(56)

References Cited

U.S. PATENT DOCUMENTS

D671,631 S	11/2012	Searle	
D732,157 S *	6/2015	Lin	D23/377
D760,368 S	6/2016	Teh	
D804,640 S *	12/2017	Haggar	D23/377
D806,852 S *	1/2018	Holmes	D23/377
D807,488 S *	1/2018	McRoberts	D23/377
D808,512 S *	1/2018	Hidalgo	D23/411
D811,577 S *	2/2018	Yang	D23/411
2013/0078108 A1 *	3/2013	McCloud	F04D 25/0606 416/244 R

OTHER PUBLICATIONS

<http://www.kichler.com/products/product/56-inch-hatteras-bay-fan-obb-300018obb.aspx>, Item Specification for 56" Hatteras Bay Fan OBB, Accessed Oct. 25, 2016.

<http://www.homedepot.com/p/Hampton-Bay-Marlton-52-in-Oil-Rubbed-Bronze-Ceiling-Fan-YG305-ORB/202549795>, Item Specification for Marlton 52" Oil-Rubbed Bronze Ceiling Fan, Accessed Oct. 25, 2016.

<http://www.kichler.com/products/product/52-inch-harbour-walk-patio-fan-gst-310102gst.aspx>, Item Specification for 52" Harbour Walk Patio Fan GST, Accessed Oct. 25, 2016.

<http://www.homedepot.com/p/Hampton-Bay-Valle-Paraiso-52-in-Oil-Rubbed-Bronze-Ceiling-Fan-14036/202050936>, Item Specification for Valle Paraiso 52" Oil-Rubbed Bronze Ceiling Fan, Accessed Oct. 25, 2016.

<http://www.minkagroup.net/products/f582-orb>, Item Specification for 52" 5 Blades in Oil Rubbed Bronze Finish w/Taupe Blades Integrated Light w/Vintage Amber Glass, Accessed Oct. 25, 2016.

<https://www.snapdeal.com/product/crompton-greaves-aurus-1200-mm/934189695>, Item Specification for Crompton Greaves Taurus 1200 mm Ceiling Fan Copper, Accessed Oct. 25, 2016.

* cited by examiner

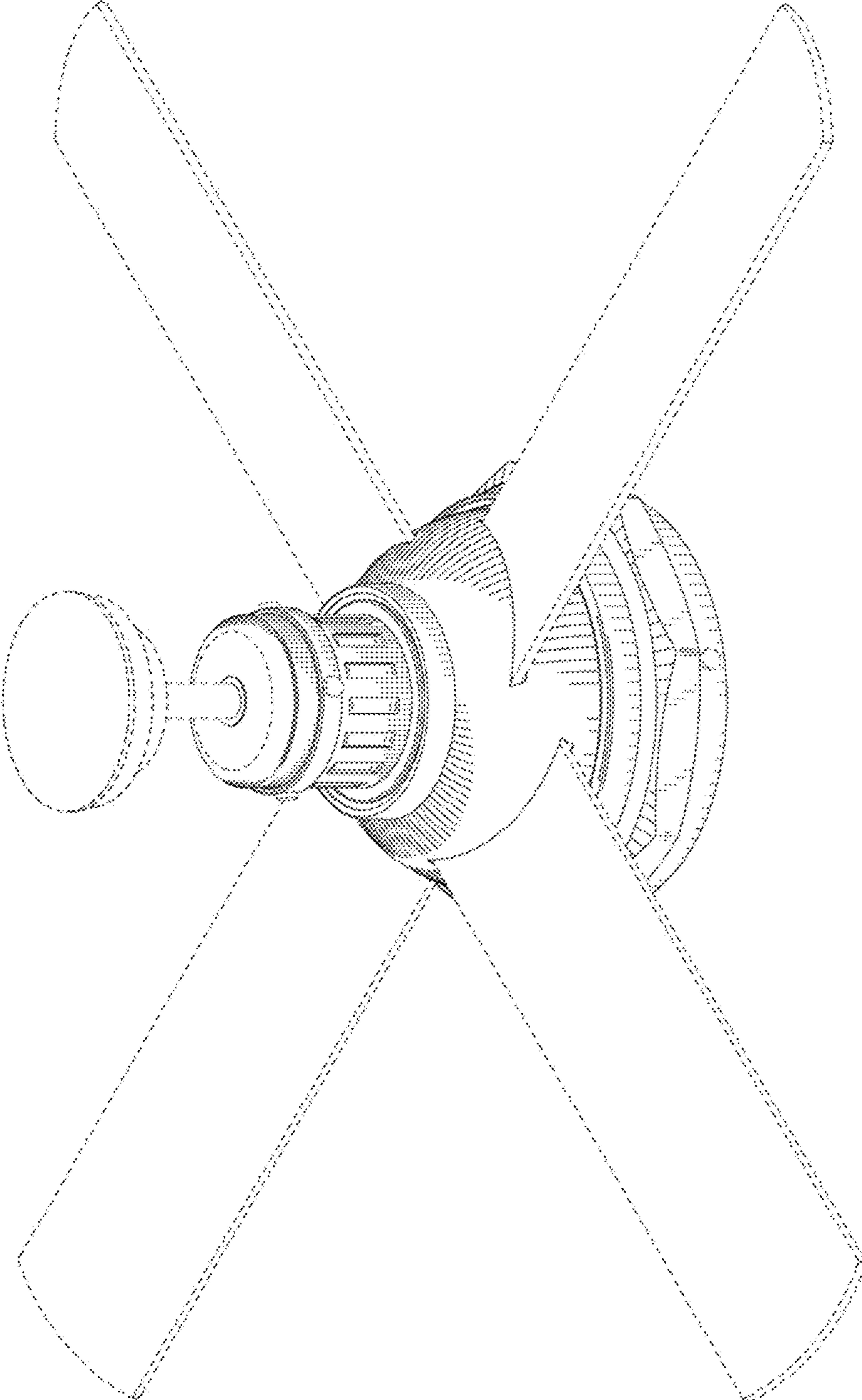


FIG. 1

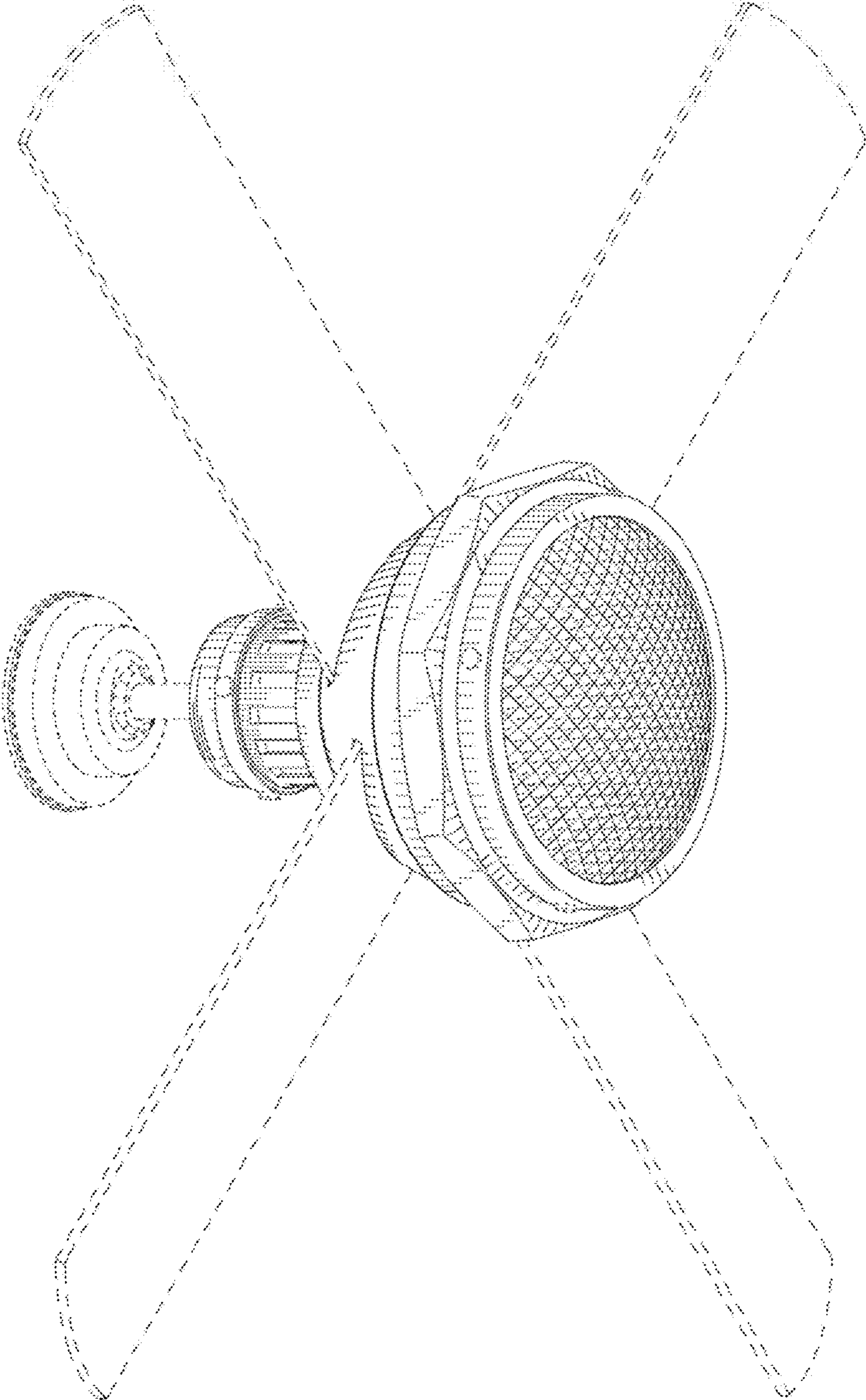


FIG. 2

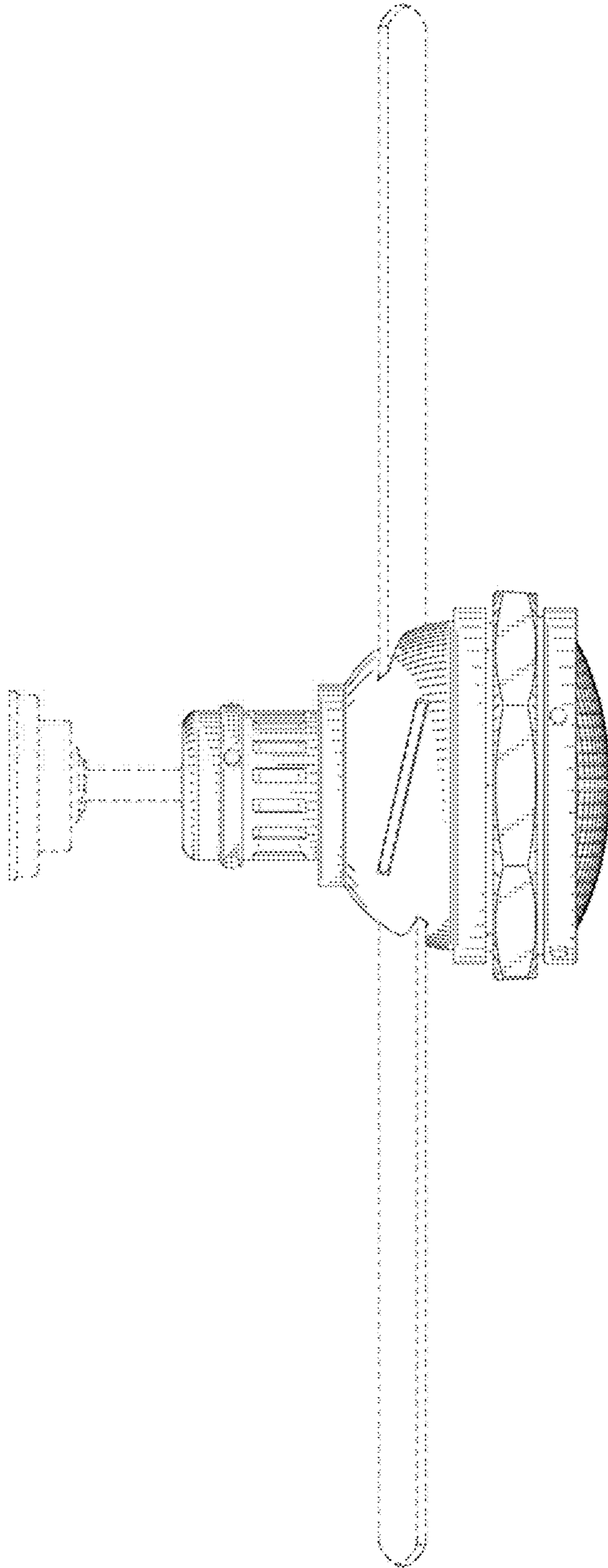


FIG. 3

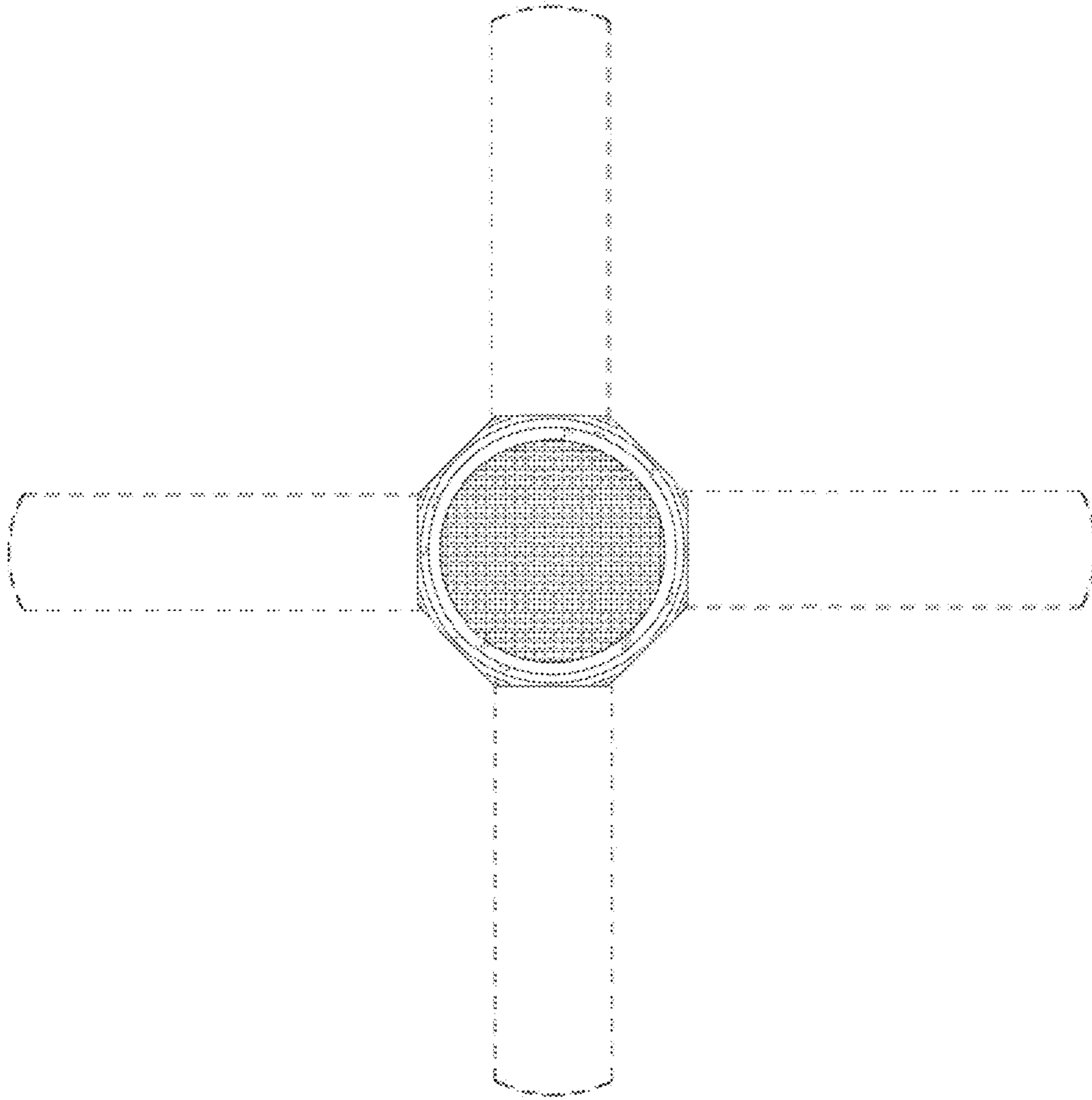


FIG. 4

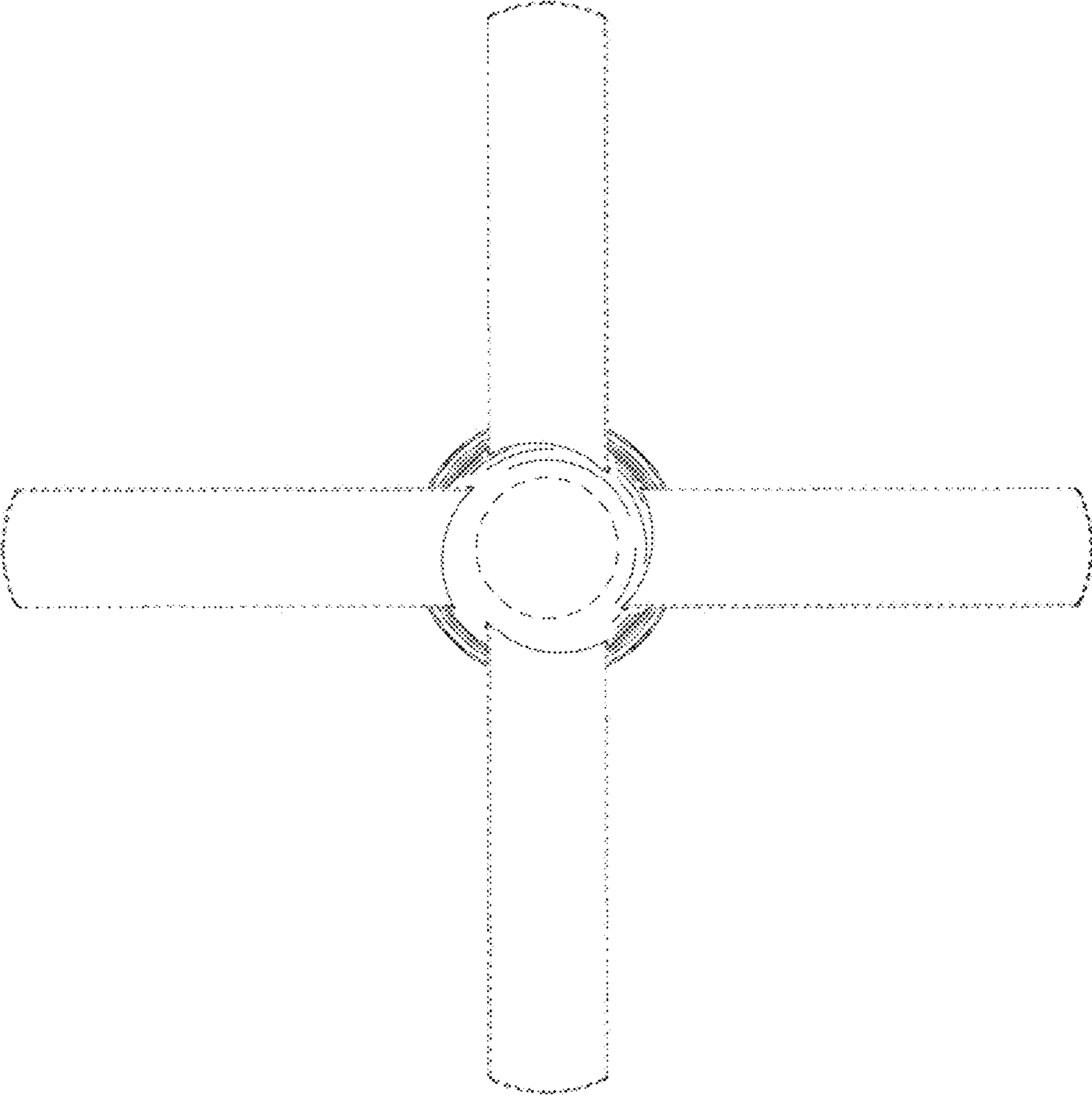


FIG. 5