



US00D821560S

(12) **United States Design Patent** (10) **Patent No.:** **US D821,560 S**
Rasmussen (45) **Date of Patent:** **** Jun. 26, 2018**

(54) **VENTILATOR BLADE**
(71) Applicant: **NOVENCO A/S**, Naestved (DK)
(72) Inventor: **Martin Rasmussen**, Naestved (DK)
(73) Assignee: **NOVENCO A/S**, Naestved (DK)
(**) Term: **15 Years**
(21) Appl. No.: **29/541,418**
(22) Filed: **Oct. 2, 2015**

6,026,330 A 2/2000 Chuang
6,238,185 B1 5/2001 Horng
D453,827 S 2/2002 Kuo et al.
D486,905 S 2/2004 Wang
D507,343 S 7/2005 Chiu et al.
D507,641 S 7/2005 Chiu et al.
D509,584 S 9/2005 Li et al.
D510,998 S 10/2005 Parker et al.
D555,782 S 11/2007 Parker et al.
D556,892 S 12/2007 Chen
D558,324 S 12/2007 Hong
D559,968 S 1/2008 Lee et al.
D560,789 S 1/2008 Lee et al.
D561,888 S 2/2008 Yang et al.
D566,829 S 4/2008 Parker et al.

(Continued)

Related U.S. Application Data

(62) Division of application No. 29/484,618, filed on Mar. 11, 2014, now Pat. No. Des. 743,018, which is a division of application No. 29/466,787, filed on Sep. 11, 2013, now Pat. No. Des. 704,323, which is a division of application No. 29/439,734, filed on Dec. 14, 2012, now Pat. No. Des. 692,119, which is a division of application No. 29/426,860, filed on Jul. 11, 2012, now Pat. No. Des. 683,840, which is a division of application No. 29/359,477, filed on Apr. 12, 2010, now Pat. No. Des. 665,895.

OTHER PUBLICATIONS

Aug. 14, 2017 Office Action issued in U.S. Appl. No. 29/541,422.
Jan. 11, 2017 Office Action issued in U.S. Appl. No. 29/541,422.

Primary Examiner — Randall H Gholson
(74) *Attorney, Agent, or Firm* — Oliff PLC

(30) **Foreign Application Priority Data**

Oct. 13, 2009 (EM) 001622945

(51) **LOC (11) Cl.** **23-04**

(52) **U.S. Cl.**
USPC **D23/379**

(58) **Field of Classification Search**
USPC D23/377, 379, 385, 411, 413; 23/379, 23/385; 416/5
CPC H02K 1/00; B21D 53/78; B21C 23/16; B29D 99/0025; B23K 2201/001
See application file for complete search history.

(57) **CLAIM**

The ornamental design for a ventilator blade, as shown and described.

(56) **References Cited**

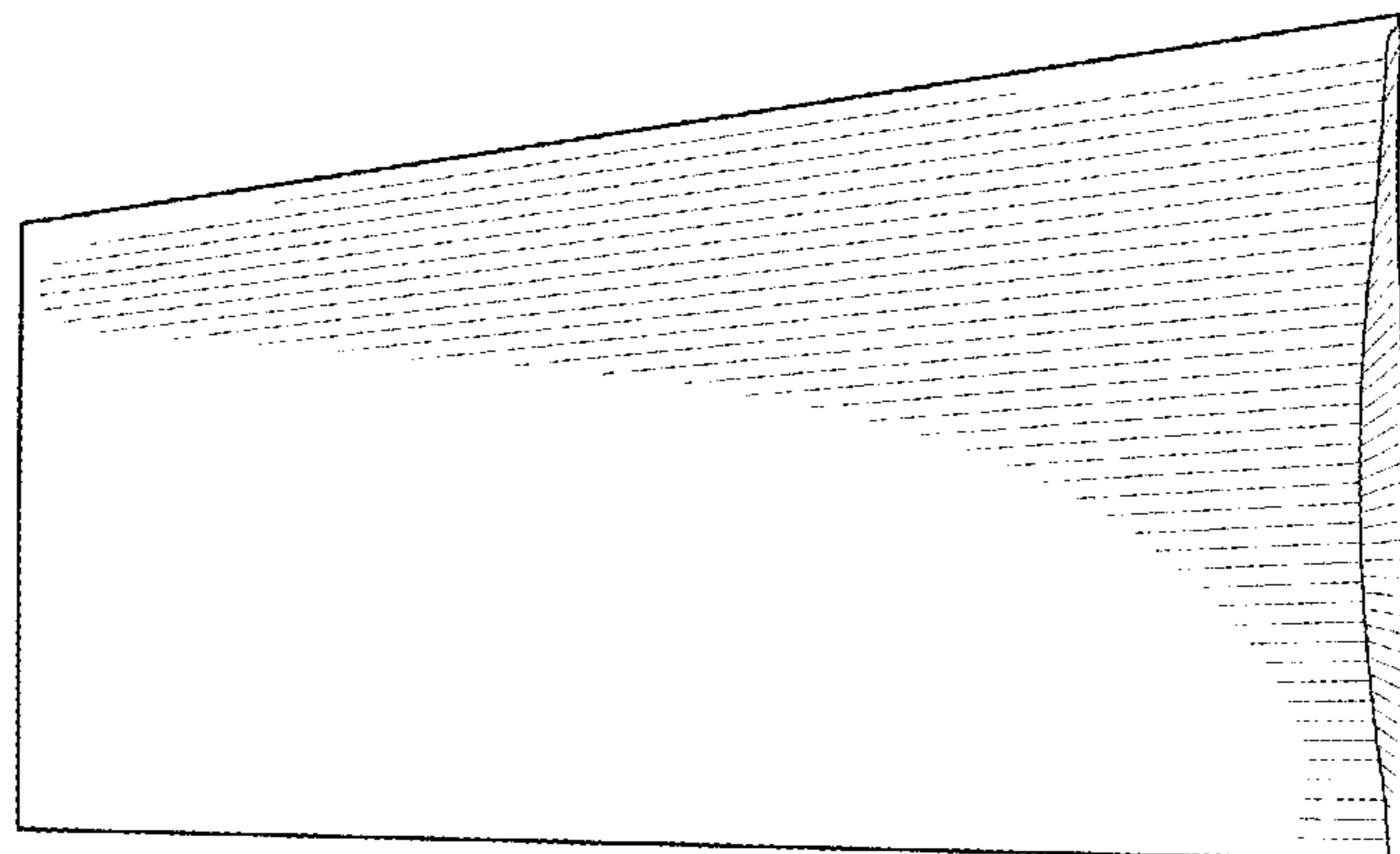
U.S. PATENT DOCUMENTS

5,320,493 A 6/1994 Shih et al.
5,624,234 A 4/1997 Neely et al.

DESCRIPTION

FIG. 1 is a front view of a ventilator blade.
FIG. 2 is a right side view of the ventilator blade.
FIG. 3 is a bottom view of the ventilator blade.
FIG. 4 is a left side view of the ventilator blade.
FIG. 5 is a top view of the ventilator blade.
FIG. 6 is a front perspective view of the ventilator blade; and,
FIG. 7 is a front, top, left side perspective view of the ventilator blade.
The broken lines depict environmental subject matter only and form no part of the claimed design.

1 Claim, 7 Drawing Sheets



(56)

References Cited

U.S. PATENT DOCUMENTS

D570,471 S	6/2008	Iwase et al.
D570,999 S	6/2008	Harman et al.
D571,000 S	6/2008	Bei et al.
D576,265 S	9/2008	Bucher et al.
D583,461 S	12/2008	Allen
D585,130 S	1/2009	Harman et al.
D590,489 S	4/2009	Bucher et al.
D599,461 S	9/2009	Ertze
D600,340 S	9/2009	Parker et al.
7,789,126 B2	9/2010	Lofland et al.
7,850,513 B1	12/2010	Parker et al.
D632,383 S	2/2011	Kandell et al.
D633,195 S	2/2011	Stagg
D634,833 S	3/2011	Stagg
D645,134 S	9/2011	Lee et al.
8,123,475 B2	2/2012	Yang et al.
D665,895 S	8/2012	Rasmussen
D668,606 S	10/2012	Lee
D672,863 S	12/2012	Romero Carreras
D683,840 S	6/2013	Rasmussen
D692,119 S	10/2013	Rasmussen

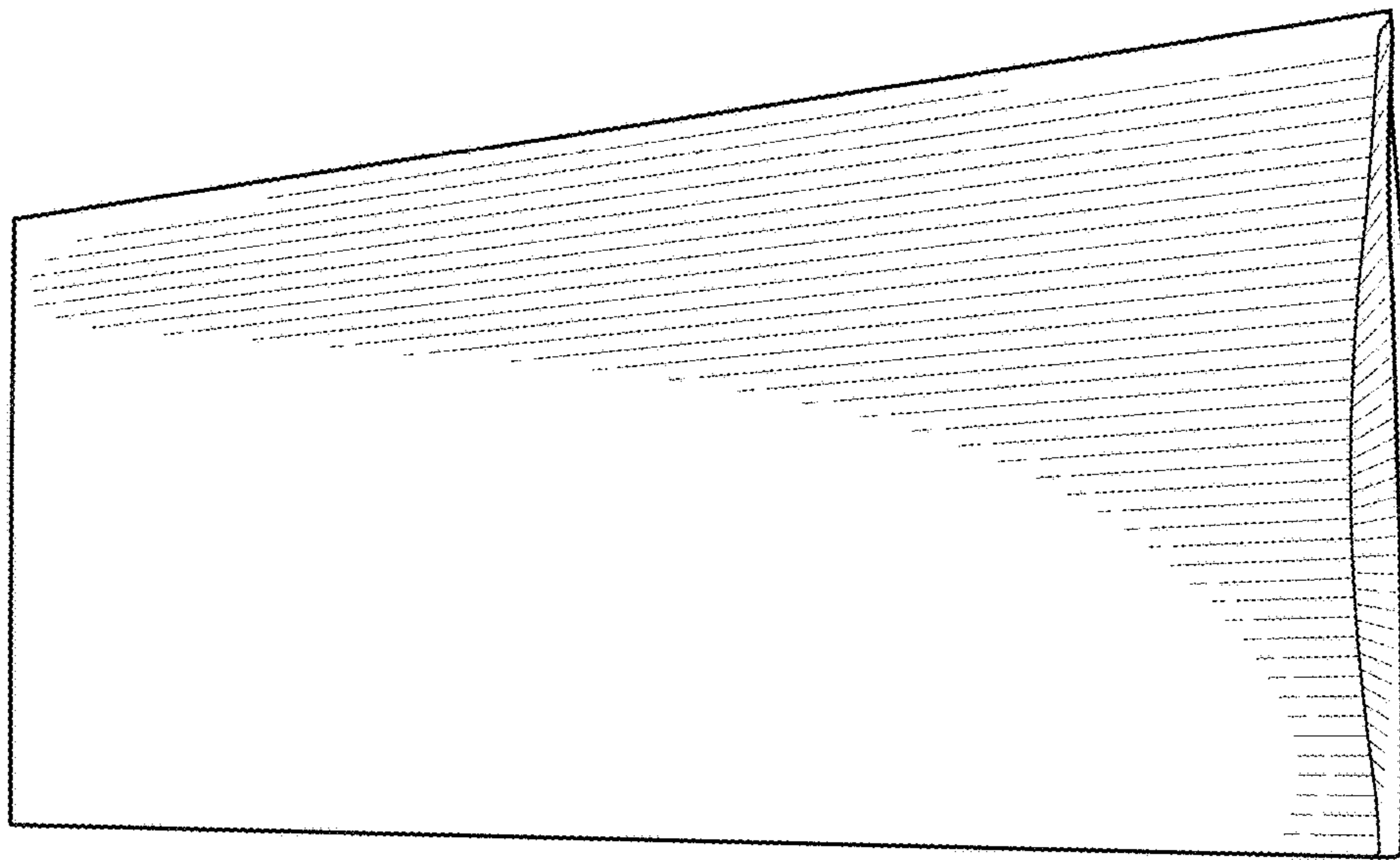


FIG. 1

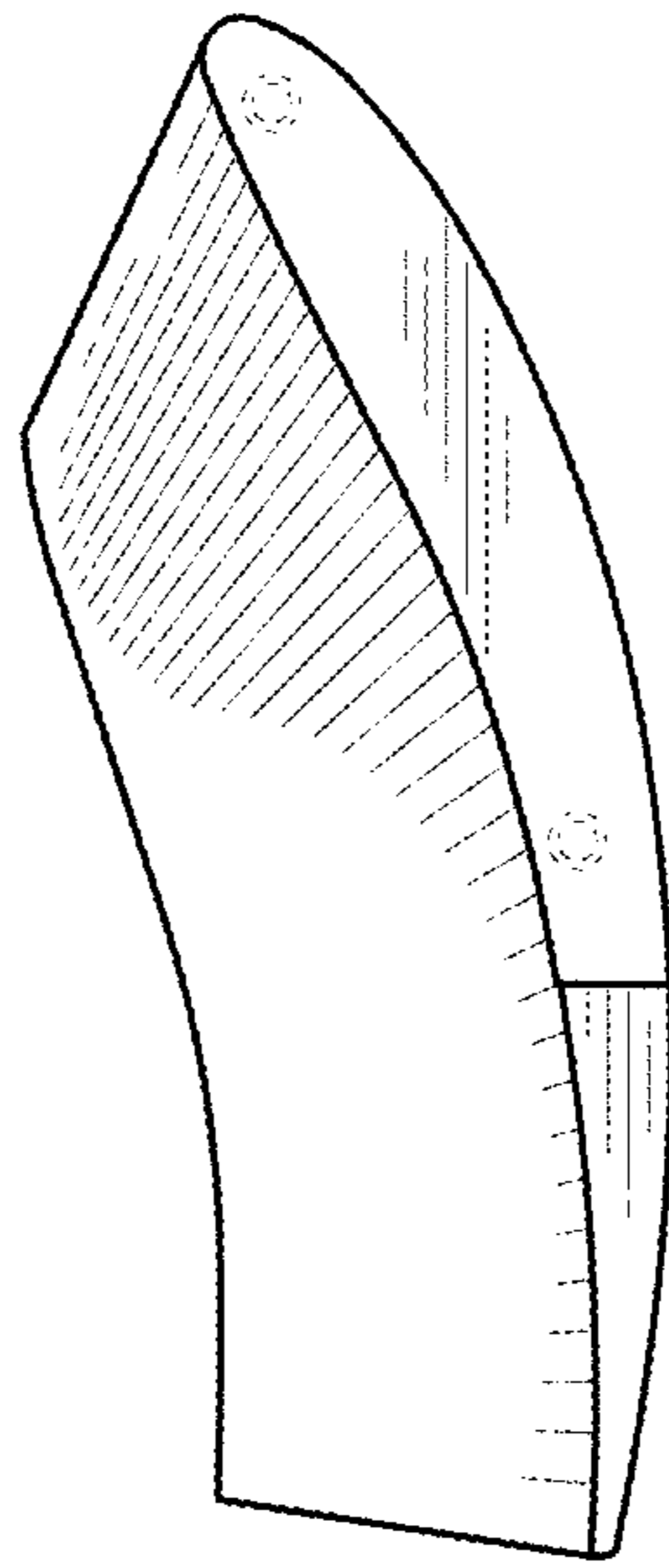


FIG. 2

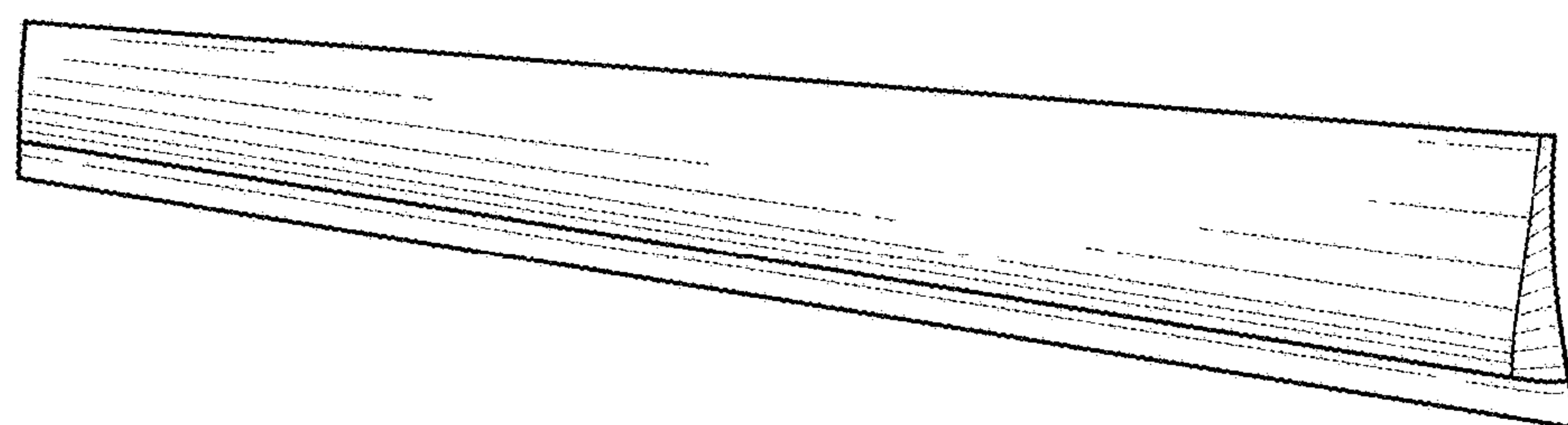


FIG. 3

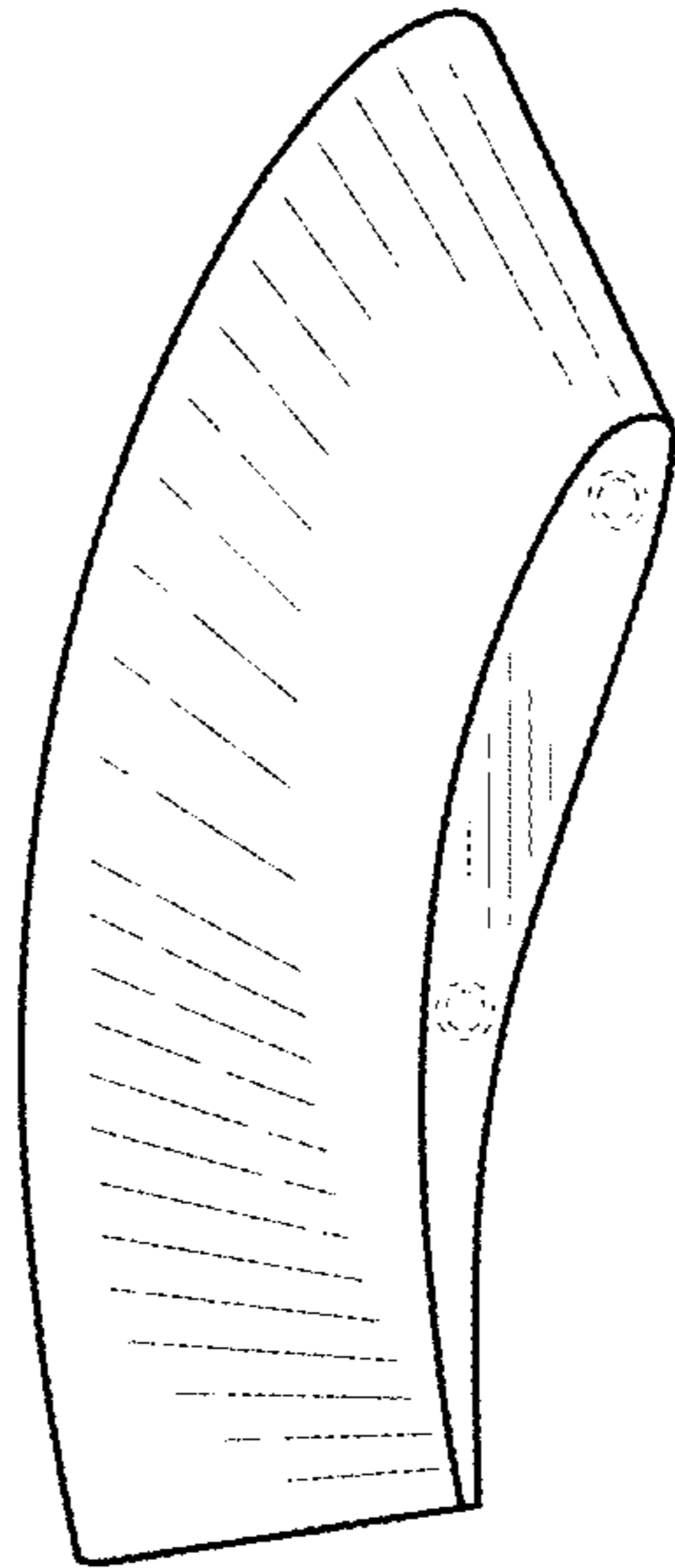


FIG. 4

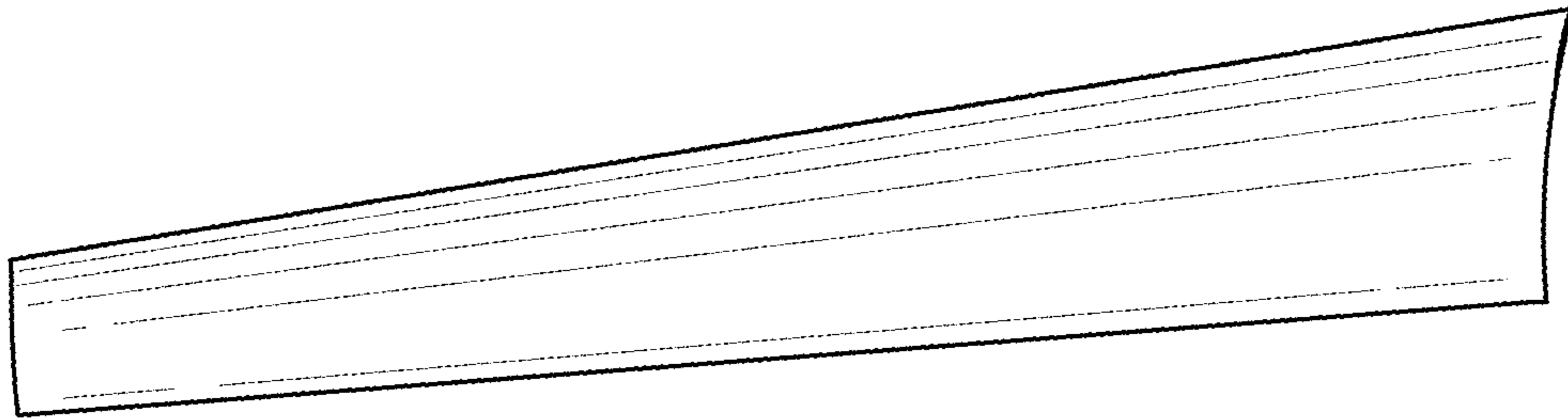


FIG. 5

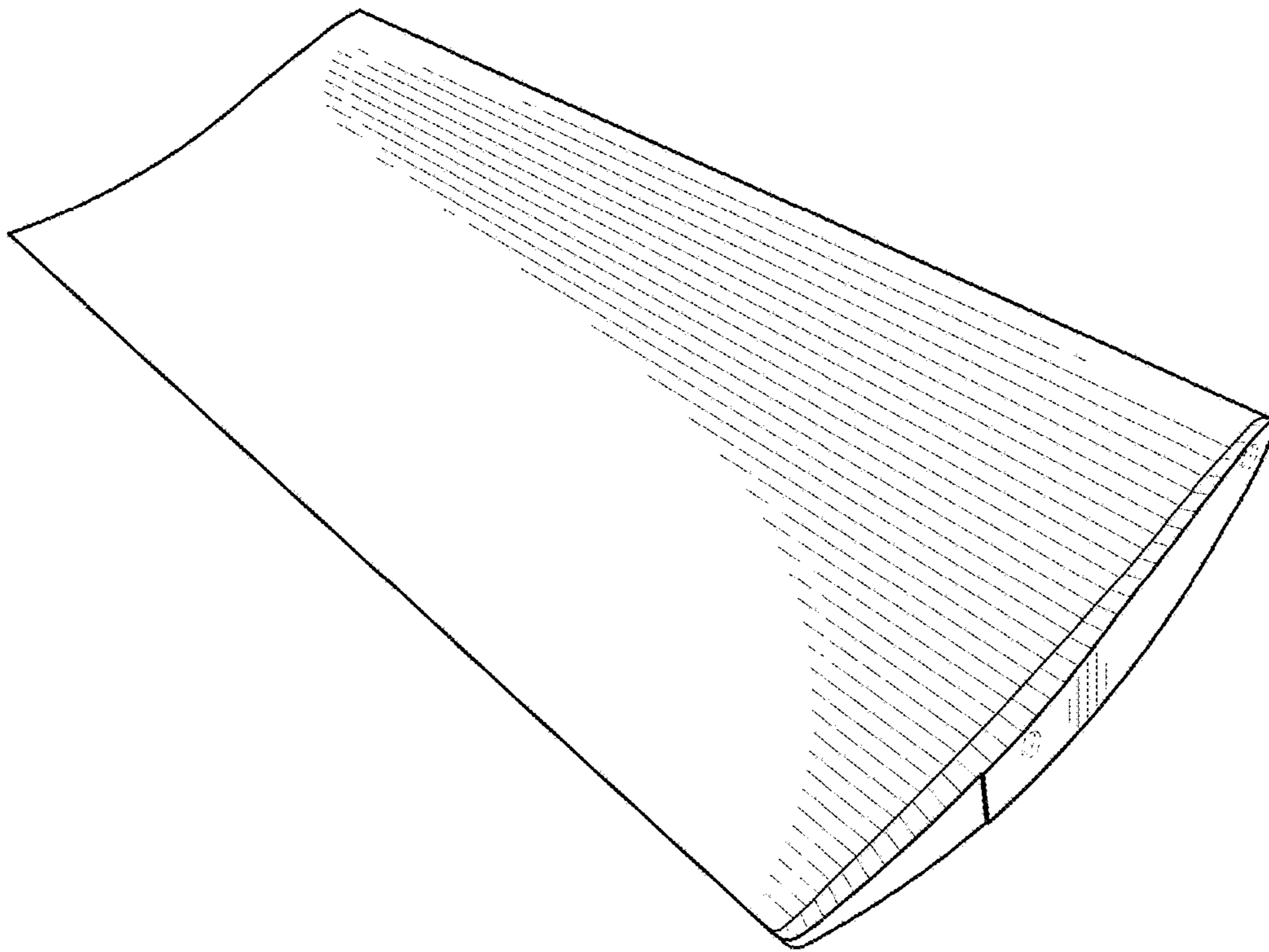


FIG. 6

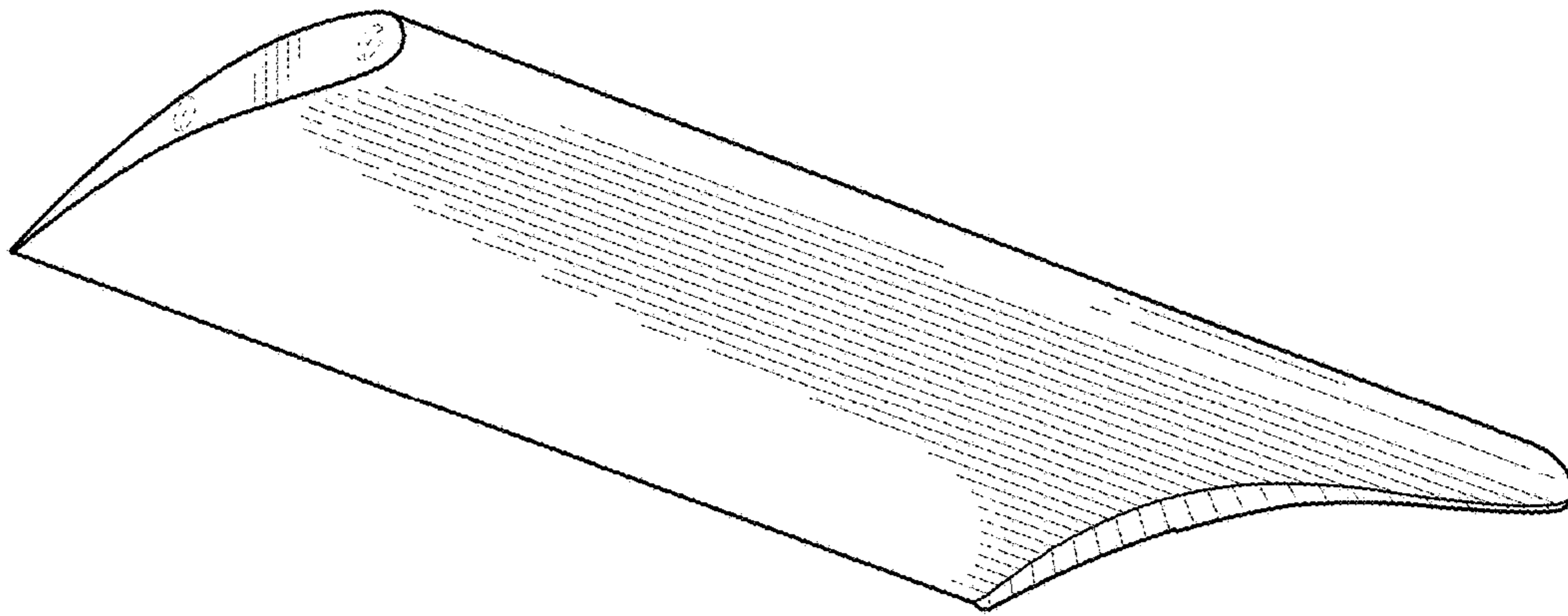


FIG. 7