



US00D821558S

(12) **United States Design Patent**
D'Amico

(10) **Patent No.:** **US D821,558 S**
(45) **Date of Patent:** **** Jun. 26, 2018**

- (54) **AIR FRESHENER WITH CLIP**
- (71) Applicant: **Scent2Market Inc.**, Yonkers, NY (US)
- (72) Inventor: **Daniel M. D'Amico**, South Salem, NY (US)
- (73) Assignee: **Scent2Market Inc.**, Yonkers, NY (US)
- (**) Term: **15 Years**

- (21) Appl. No.: **29/541,508**
- (22) Filed: **Oct. 5, 2015**
- (51) **LOC (11) Cl.** **28-99**
- (52) **U.S. Cl.**
USPC **D23/367**
- (58) **Field of Classification Search**
USPC D23/355-369; D28/5, 6; 261/DIG. 17, 261/DIG. 42, DIG. 47, DIG. 55, DIG. 65, 261/DIG. 70, DIG. 88, DIG. 89; 392/386, 392/389, 394, 395, 403; 239/34, 44, 45, 239/53, 56; D9/522, 549, 556
CPC ... A61L 9/02; A61L 9/03; A61L 9/034; A61L 9/04; A61L 9/12; A61L 9/032; A61L 9/122; A61L 9/127; A61L 9/22
See application file for complete search history.

(56) **References Cited**

U.S. PATENT DOCUMENTS

D136,129 S *	8/1943	Irwin	428/28
D453,041 S *	1/2002	Nelson	D23/367
D453,561 S *	2/2002	Nelson	D23/366
D464,417 S *	10/2002	Nelson	D23/367
D514,679 S	2/2006	Wheatley		
7,159,792 B2	1/2007	Wheatley et al.		

(Continued)

FOREIGN PATENT DOCUMENTS

JP	1304406	6/2007
JP	1304407	6/2007

Primary Examiner — Sandra Snapp
(74) *Attorney, Agent, or Firm* — Buchanan Ingersoll & Rooney PC

(57) **CLAIM**

The ornamental design for an air freshener with clip, as shown and described.

DESCRIPTION

FIG. 1 is a perspective rear view of an air freshener with clip, showing a case with a substrate within the case and the case in a closed position, wherein the broken lines represent a lanyard as part of the environment of the design and form no part of the claimed design;

FIG. 2 is a perspective front view of the air freshener with clip, showing the case with the substrate within the case and the case in an open position;

FIG. 3 is a perspective rear view of the case with the substrate removed from the case;

FIG. 4 is perspective front view of FIG. 3;

FIG. 5 is rear view of FIG. 3;

FIG. 6 is front view of FIG. 3;

FIG. 7 is a left-hand side view of FIG. 3, wherein a right-hand side view is a mirror image of the left-hand side view;

FIG. 8 is a left-hand side view of the case with the substrate removed from the case and the clip in a deployed position, wherein a right-hand side view is a mirror image of the left-hand side view;

FIG. 9 is a top view of FIG. 3;

FIG. 10 is a bottom view of FIG. 3;

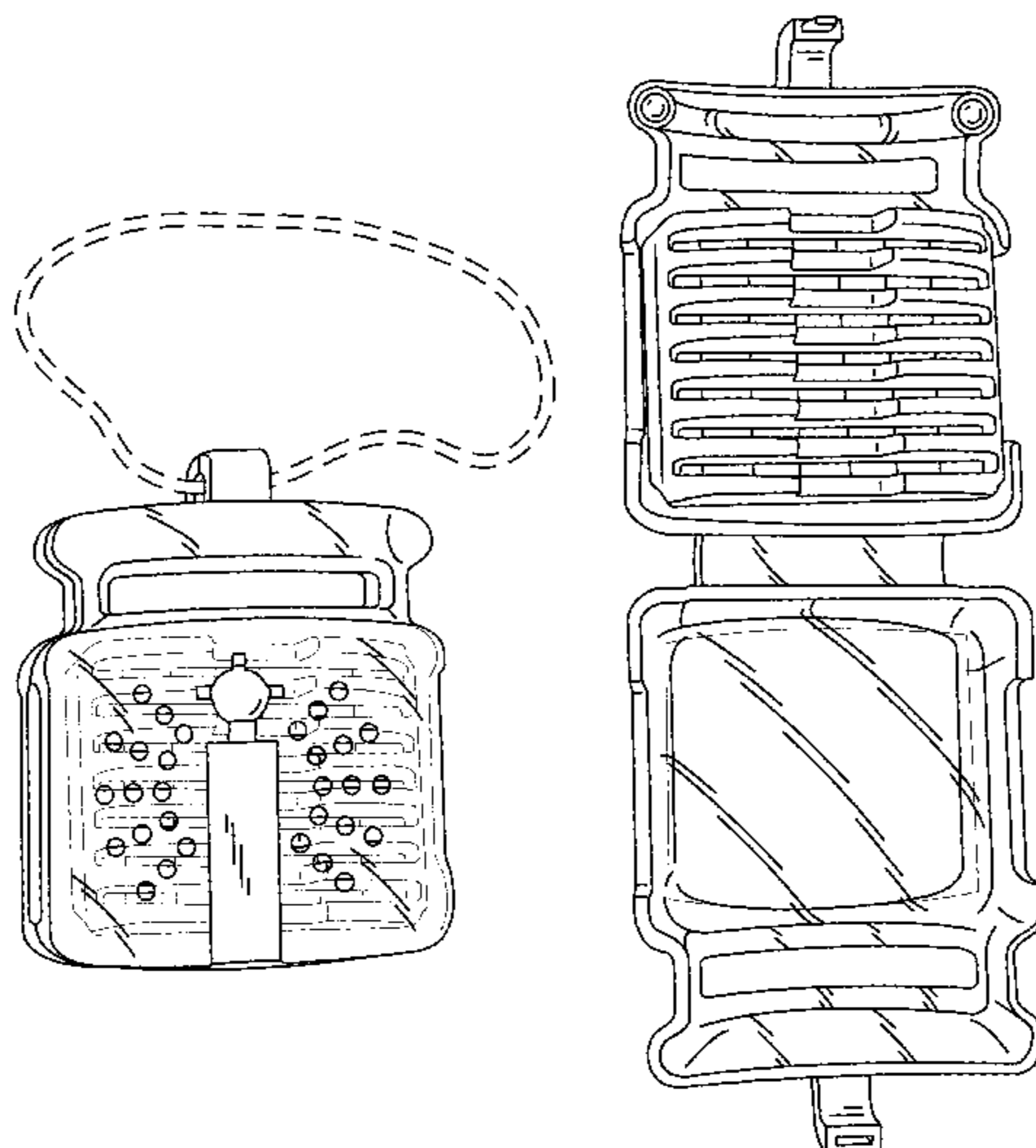
FIG. 11 is an enlarged perspective view of the substrate only without the case;

FIG. 12 is a top view of FIG. 11, wherein a bottom view is a mirror image of the top view;

FIG. 13 is a left-hand side view of FIG. 11, wherein a right-hand side view is a mirror image of the left-hand side view; and,

FIG. 14 is a front view of FIG. 11, wherein a rear view is a mirror image of the front view.

1 Claim, 10 Drawing Sheets



(56)

References Cited

U.S. PATENT DOCUMENTS

D568,456 S *	5/2008	Hollingsworth	D23/366
D588,253 S *	3/2009	Hanna	D23/367
D598,770 S *	8/2009	Delfino, Jr.	D23/366
D600,132 S *	9/2009	Delfino, Jr.	D23/366
2014/0018285 A1	1/2014	D'Amico	

* cited by examiner

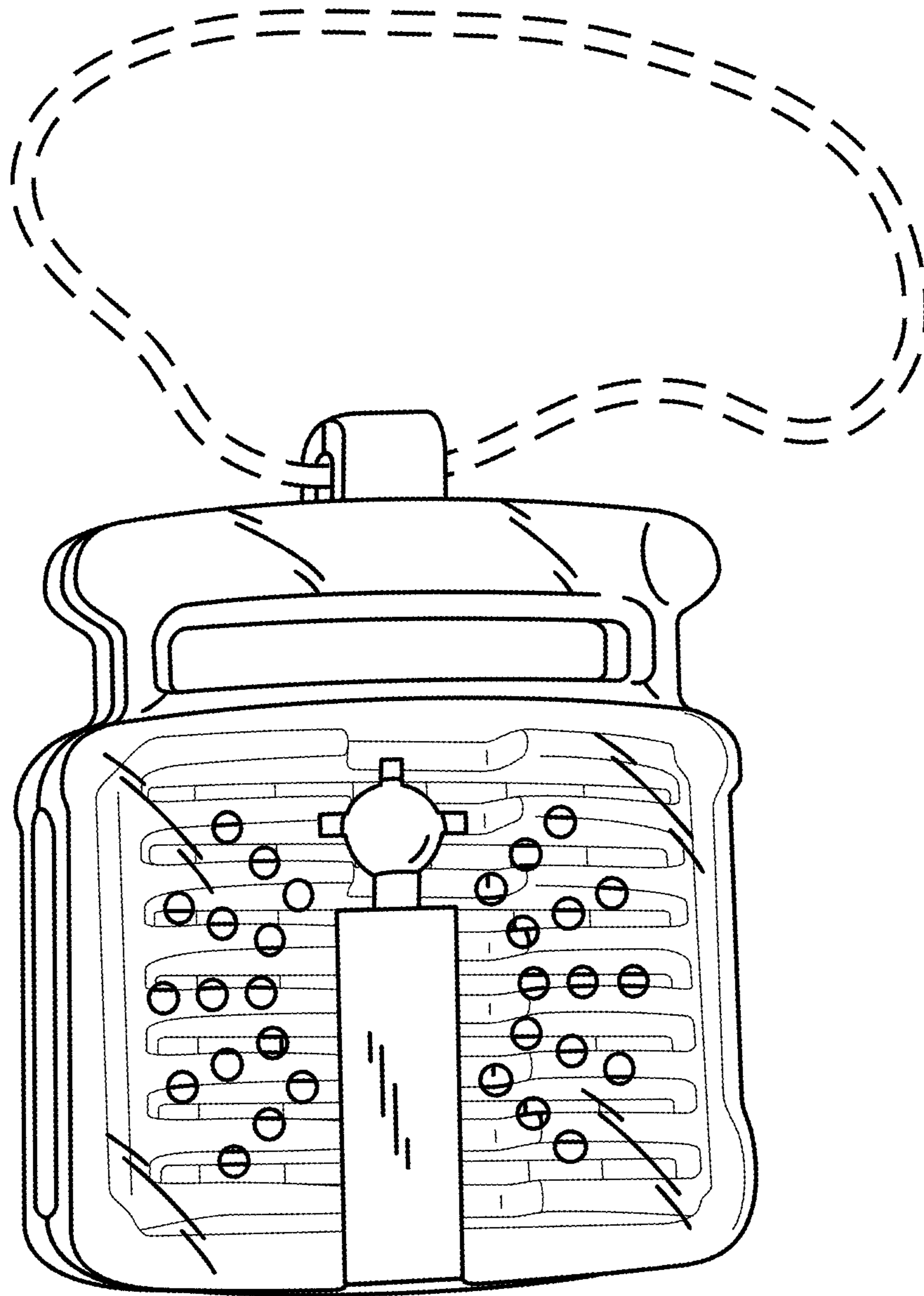


FIG. 1

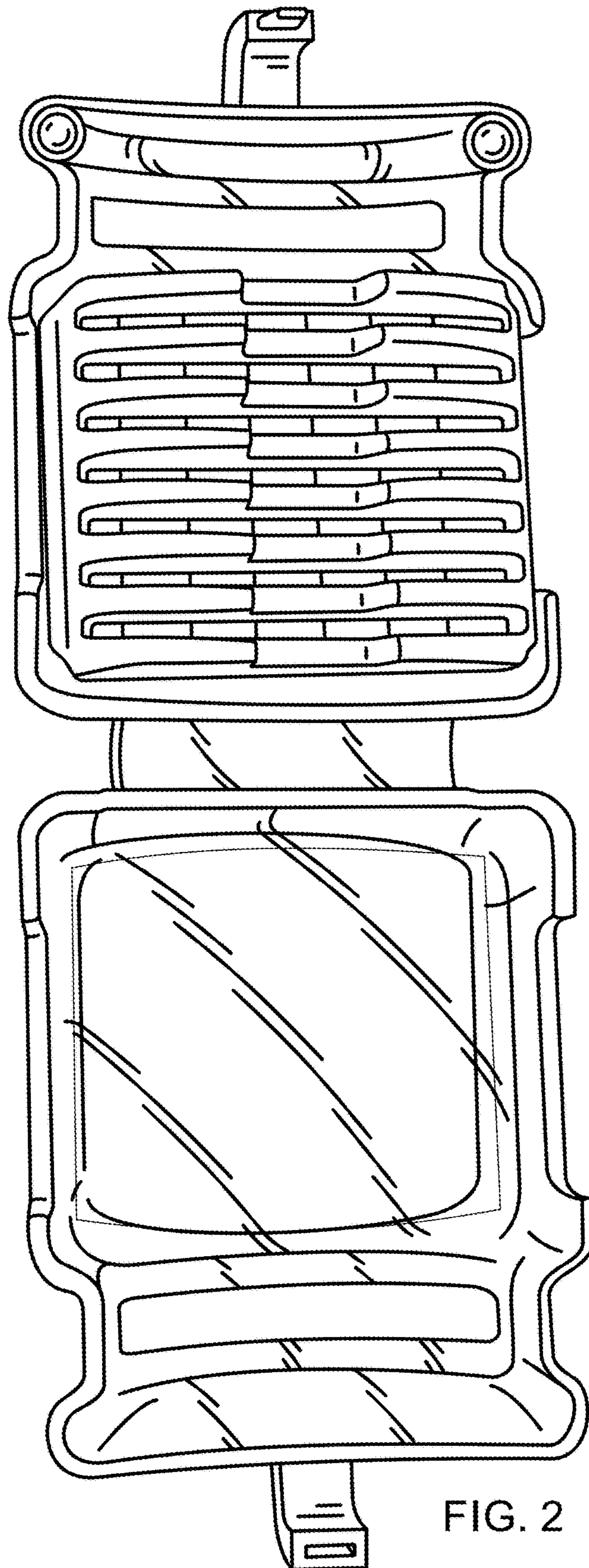


FIG. 2

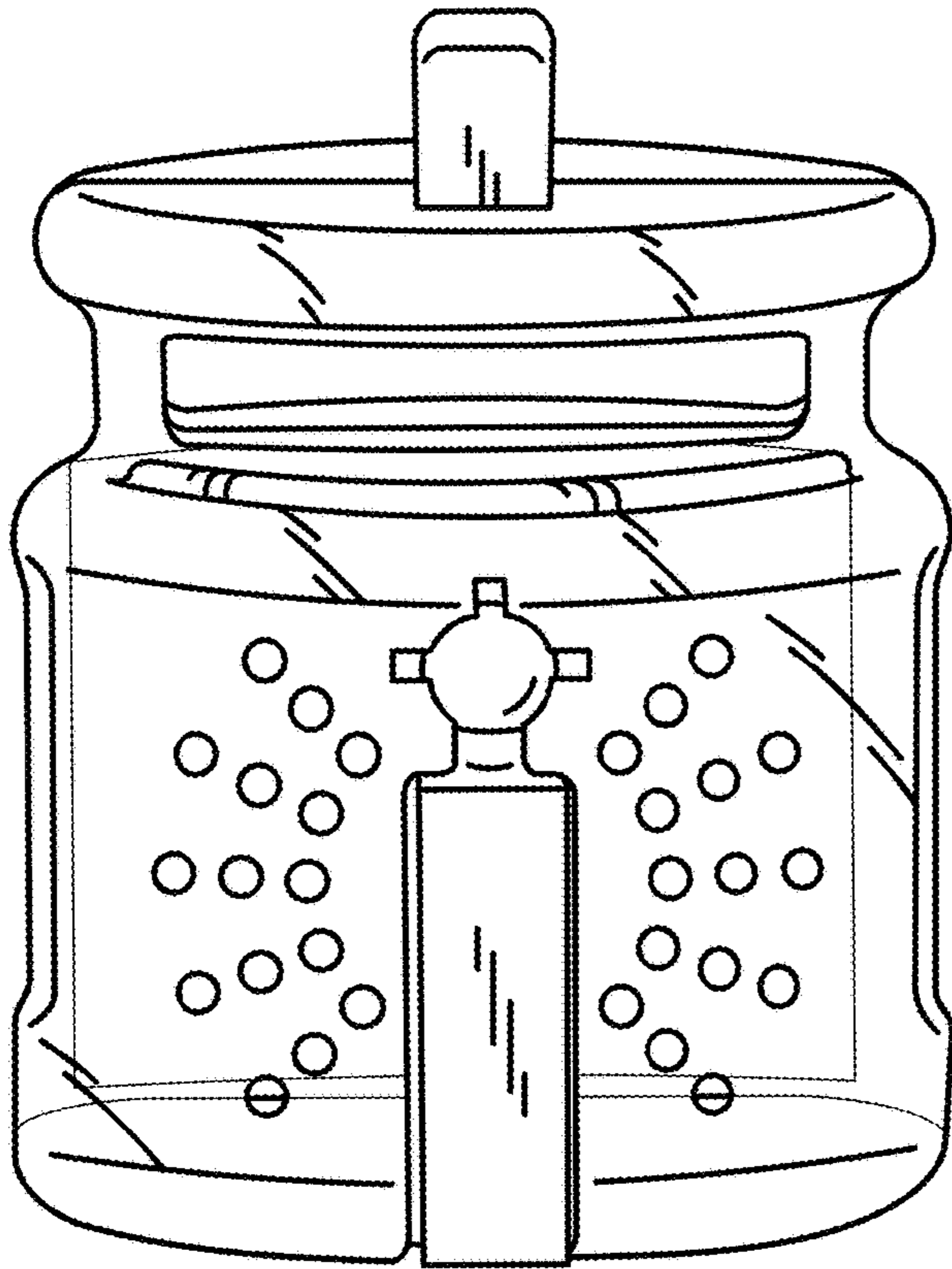


FIG. 3

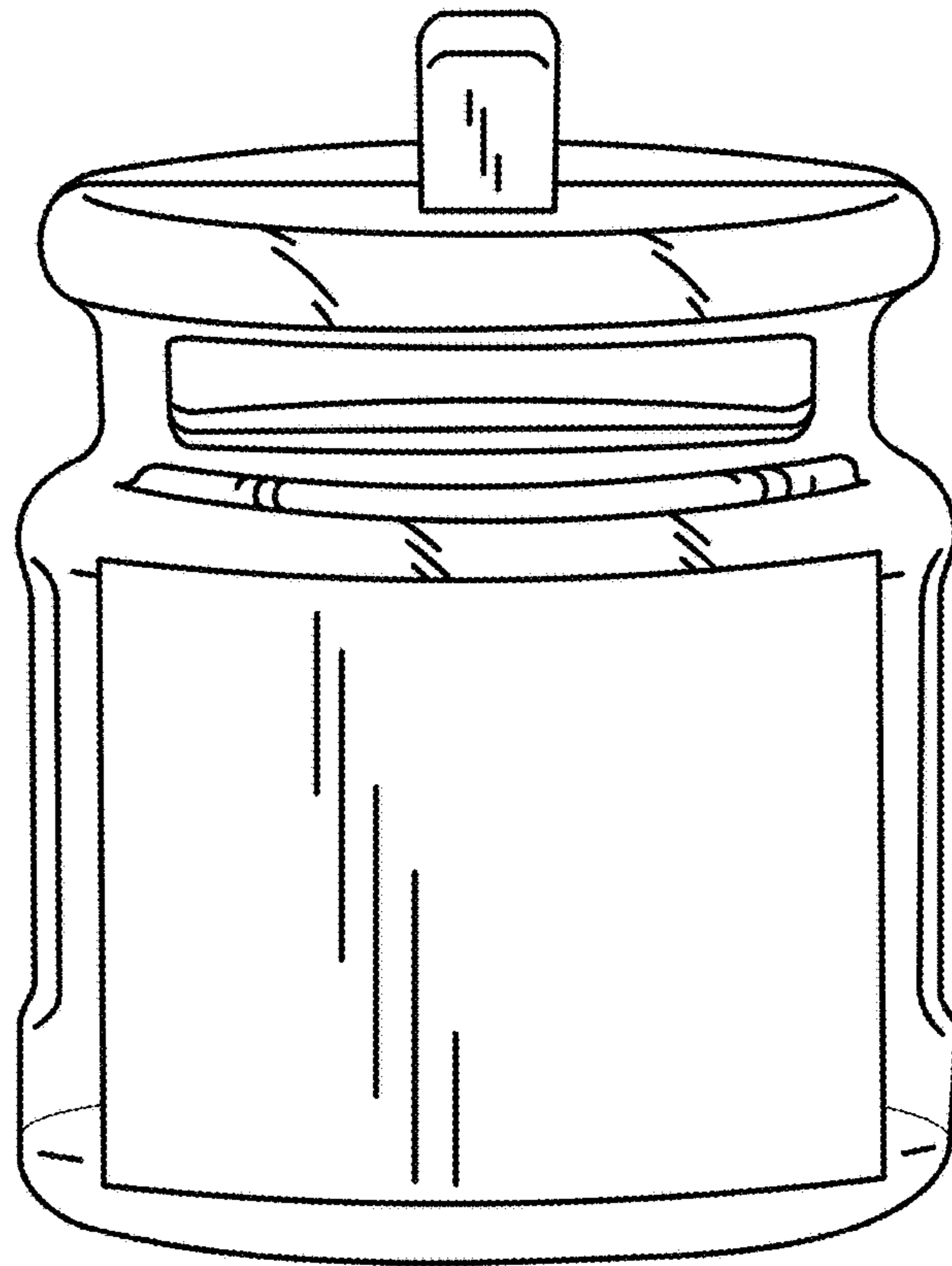


FIG. 4

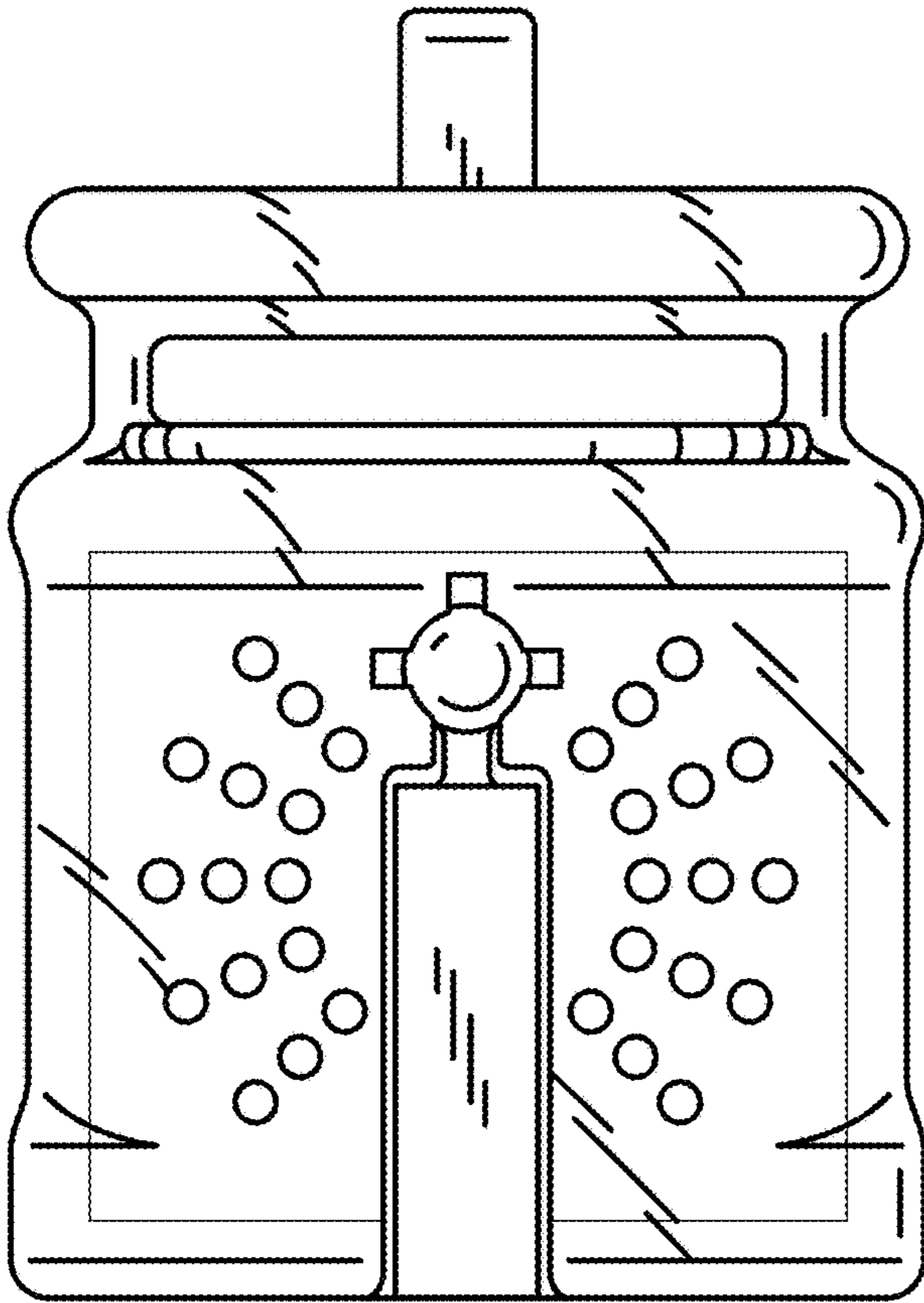


FIG. 5

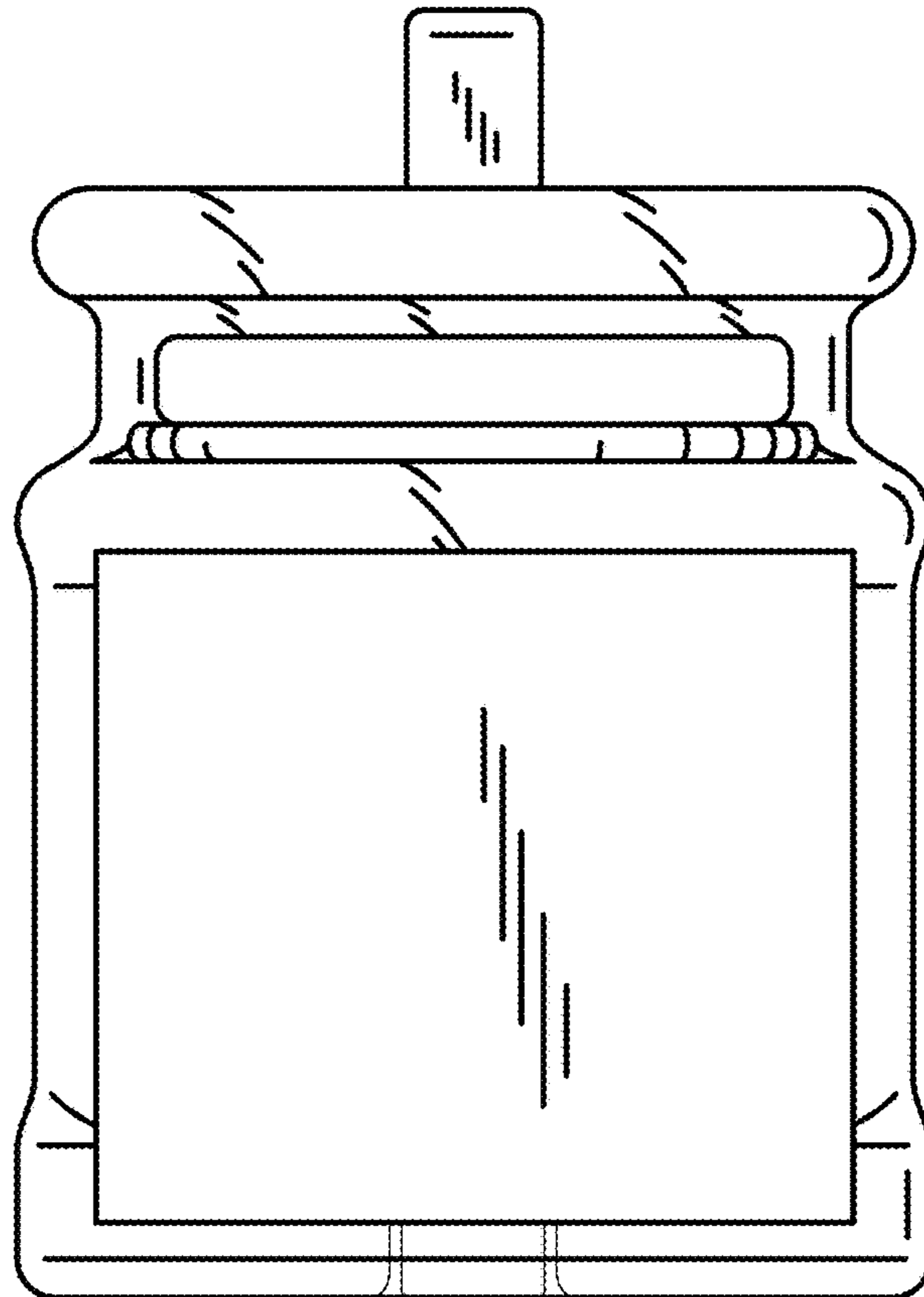


FIG. 6

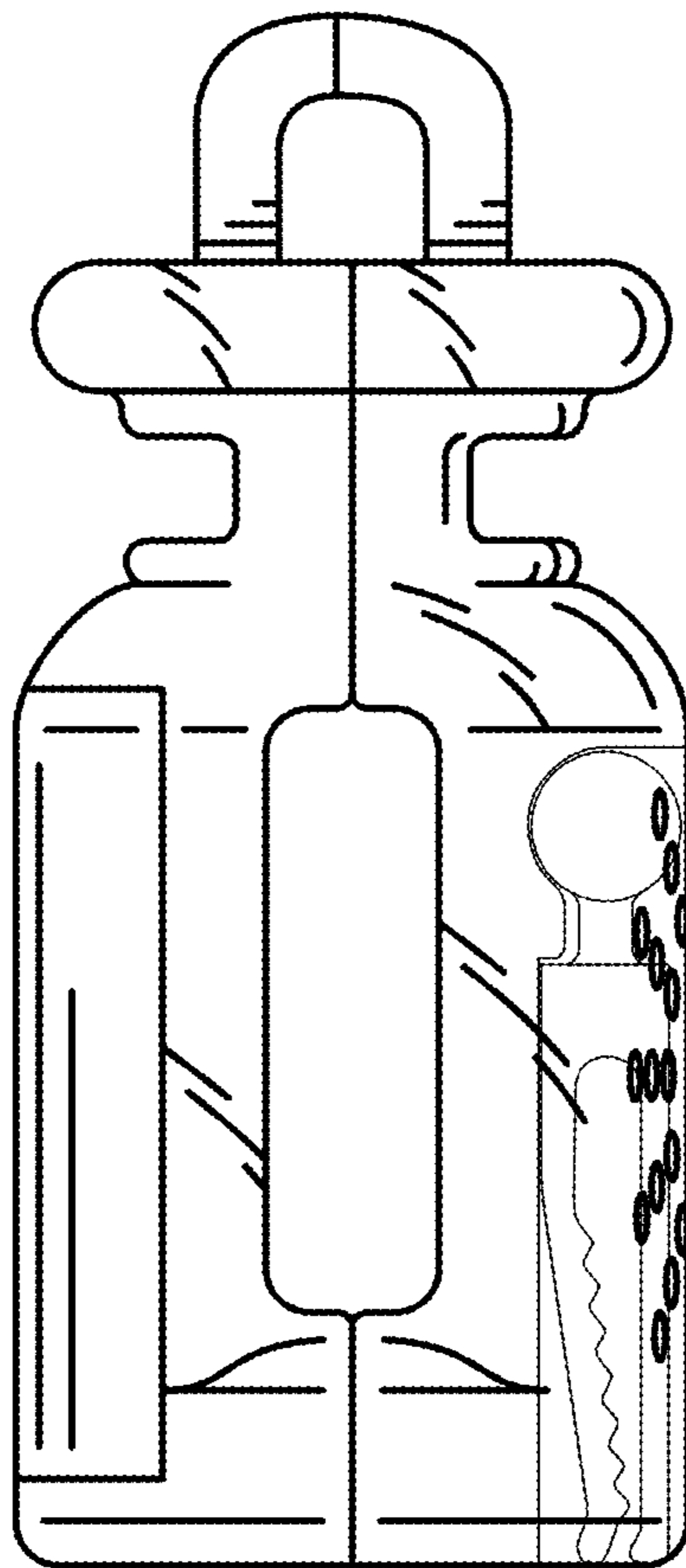


FIG. 7

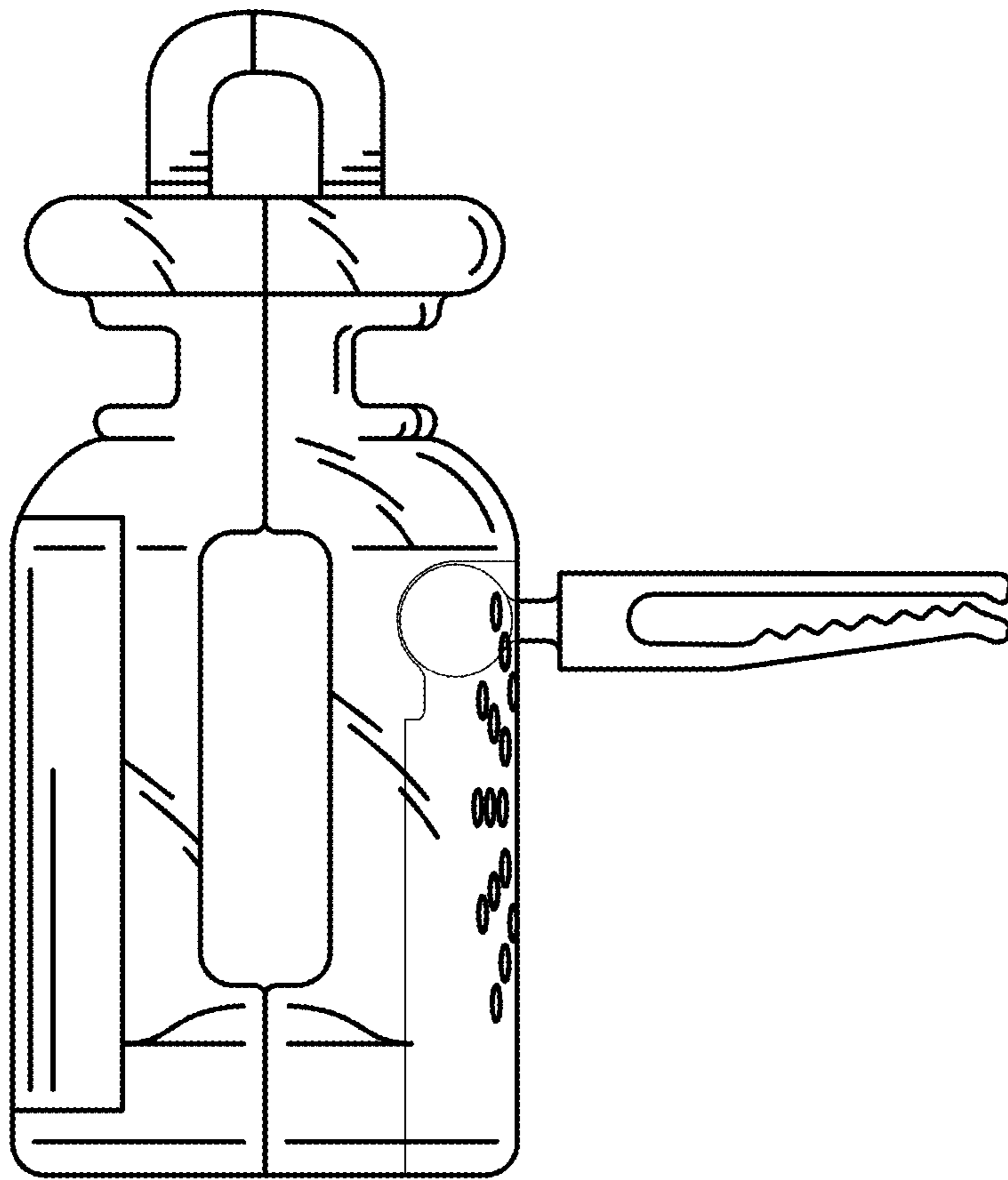


FIG. 8

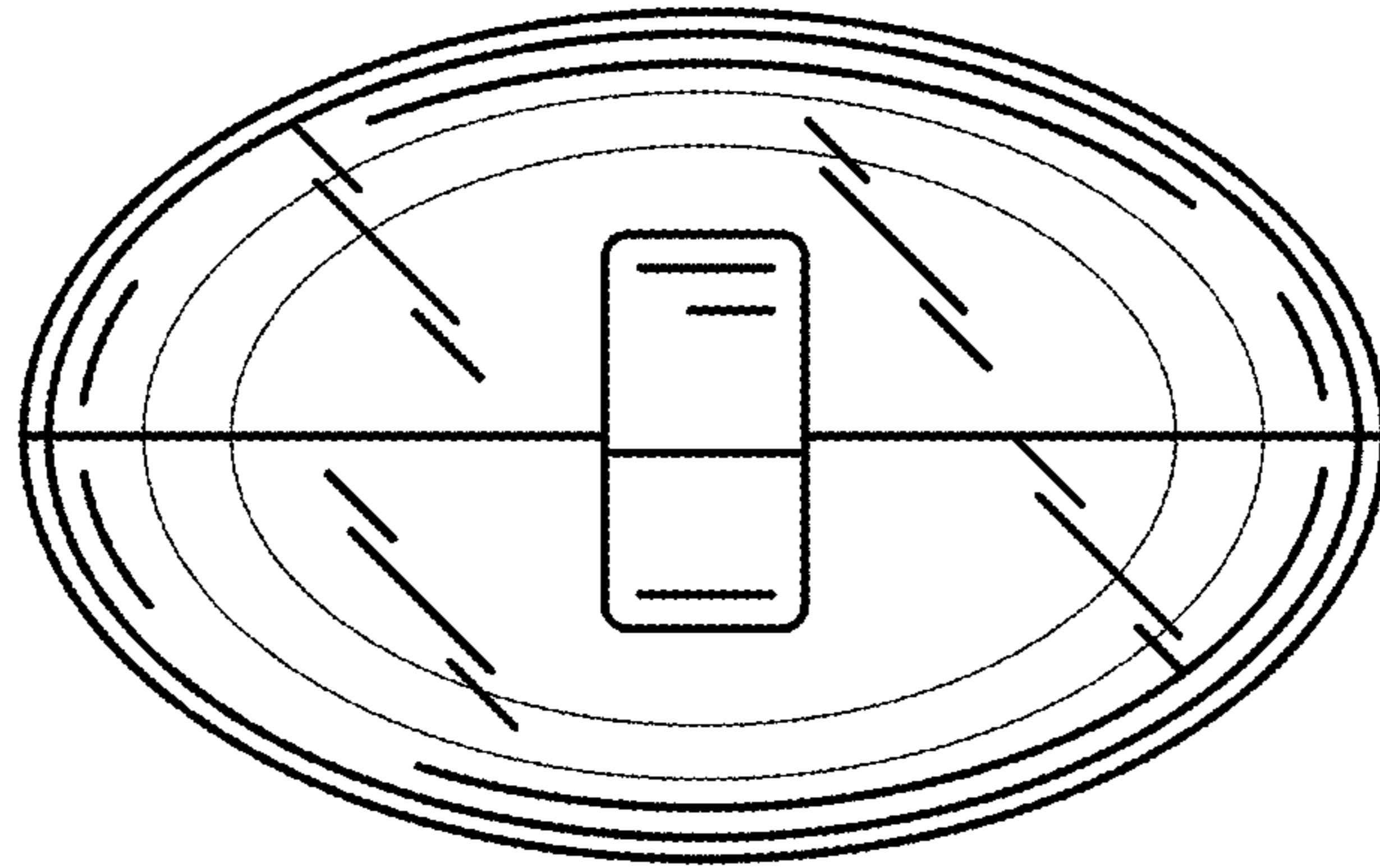


FIG. 9

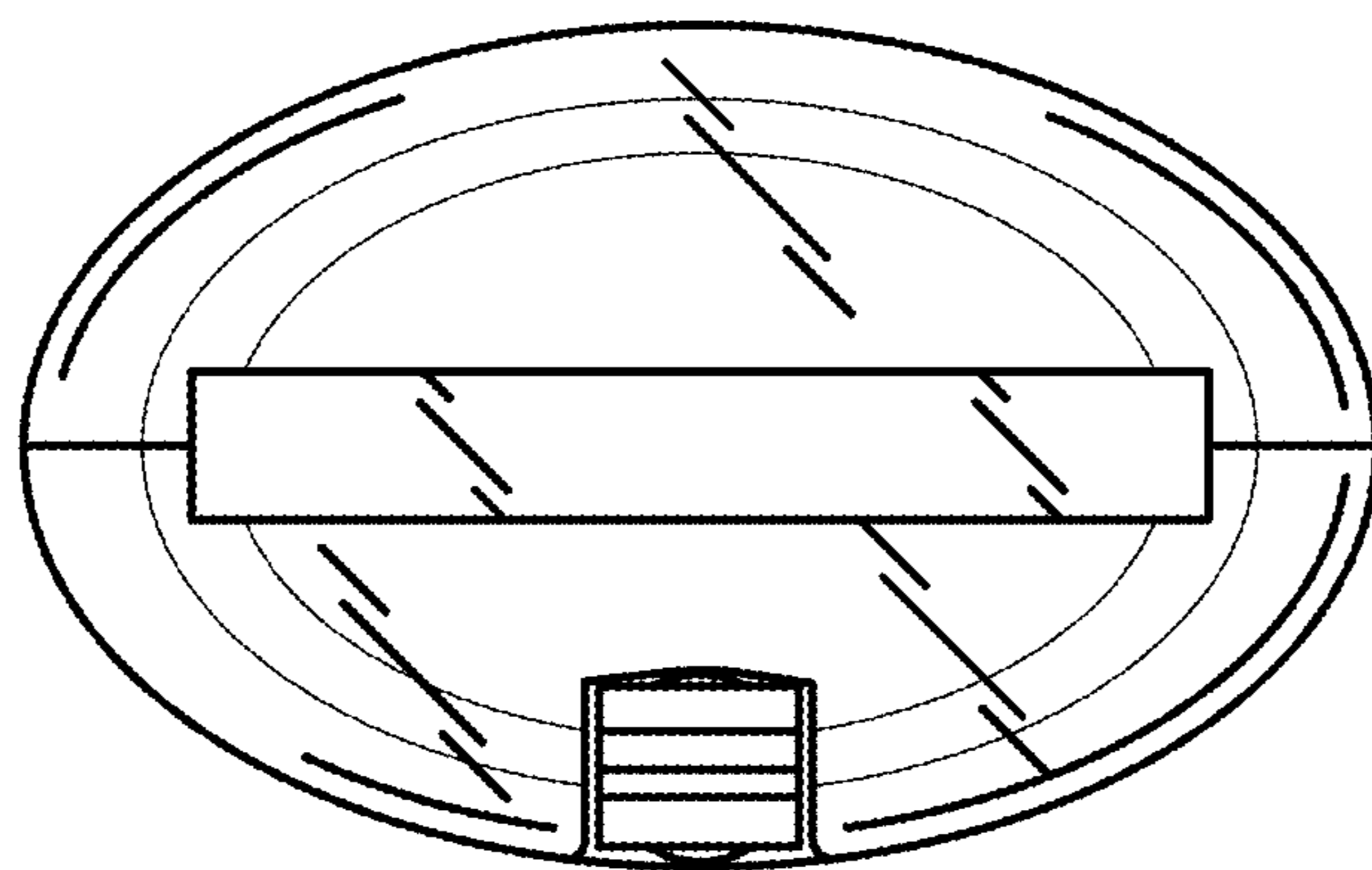


FIG. 10

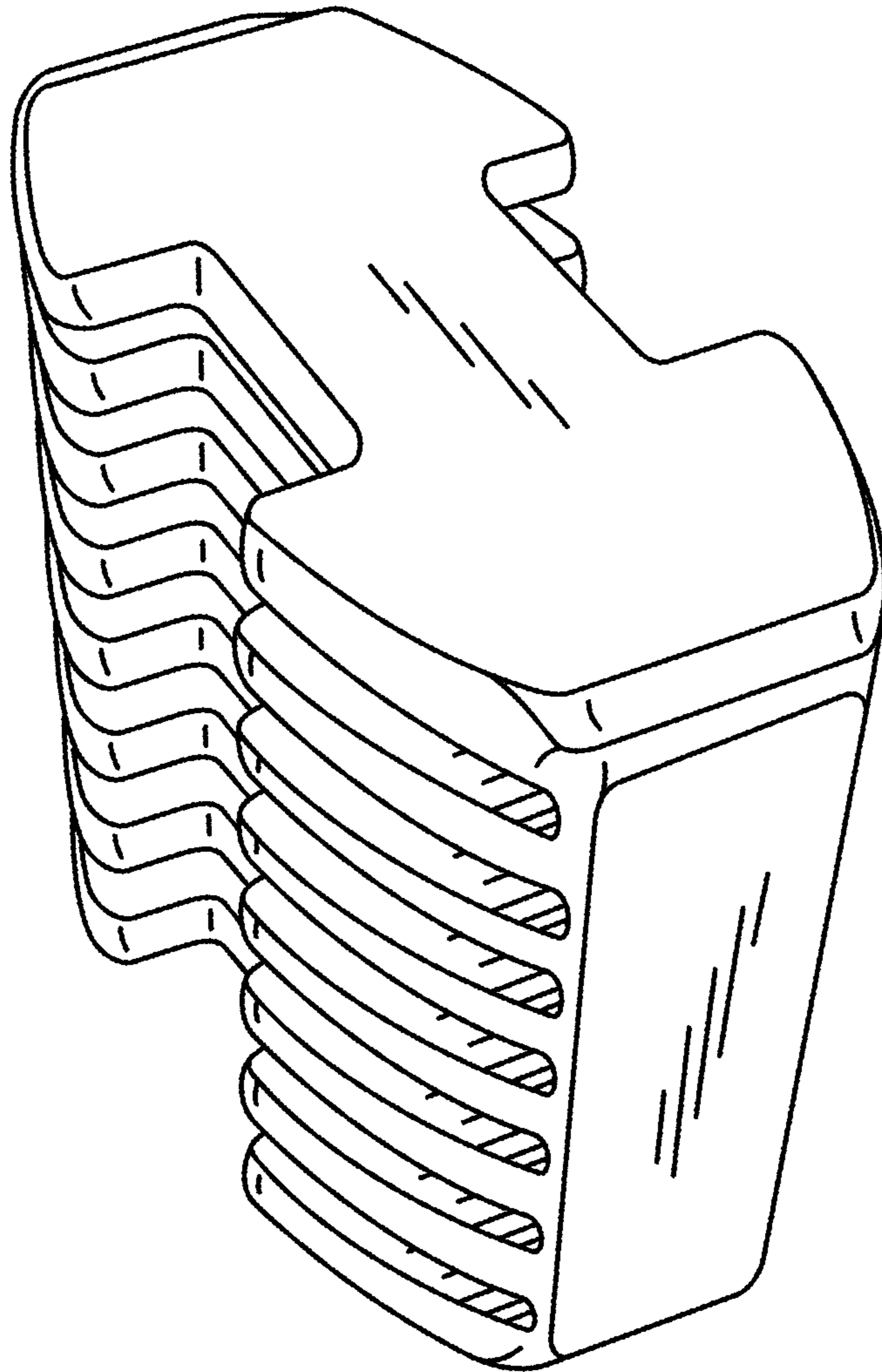


FIG. 11

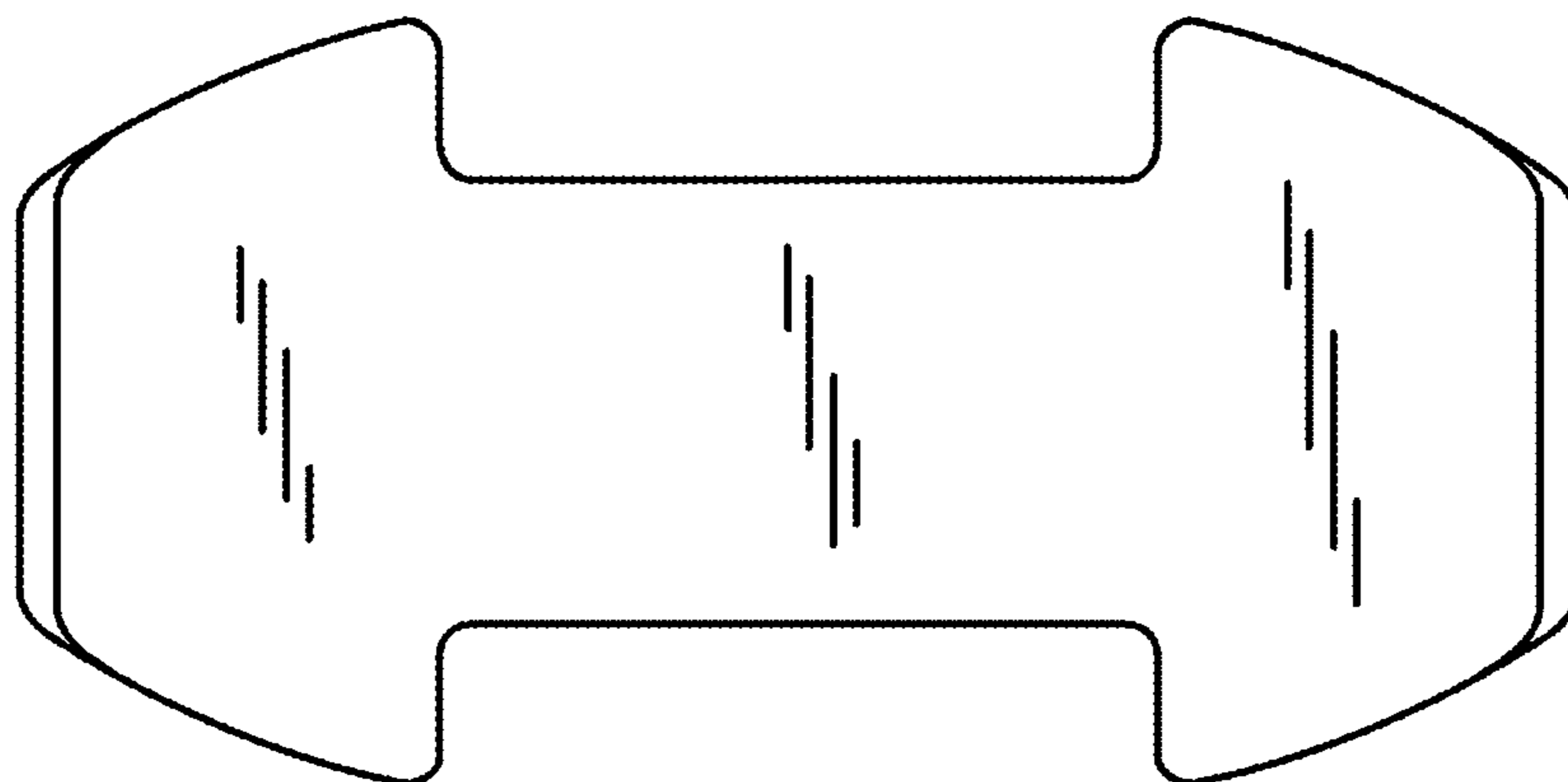


FIG. 12

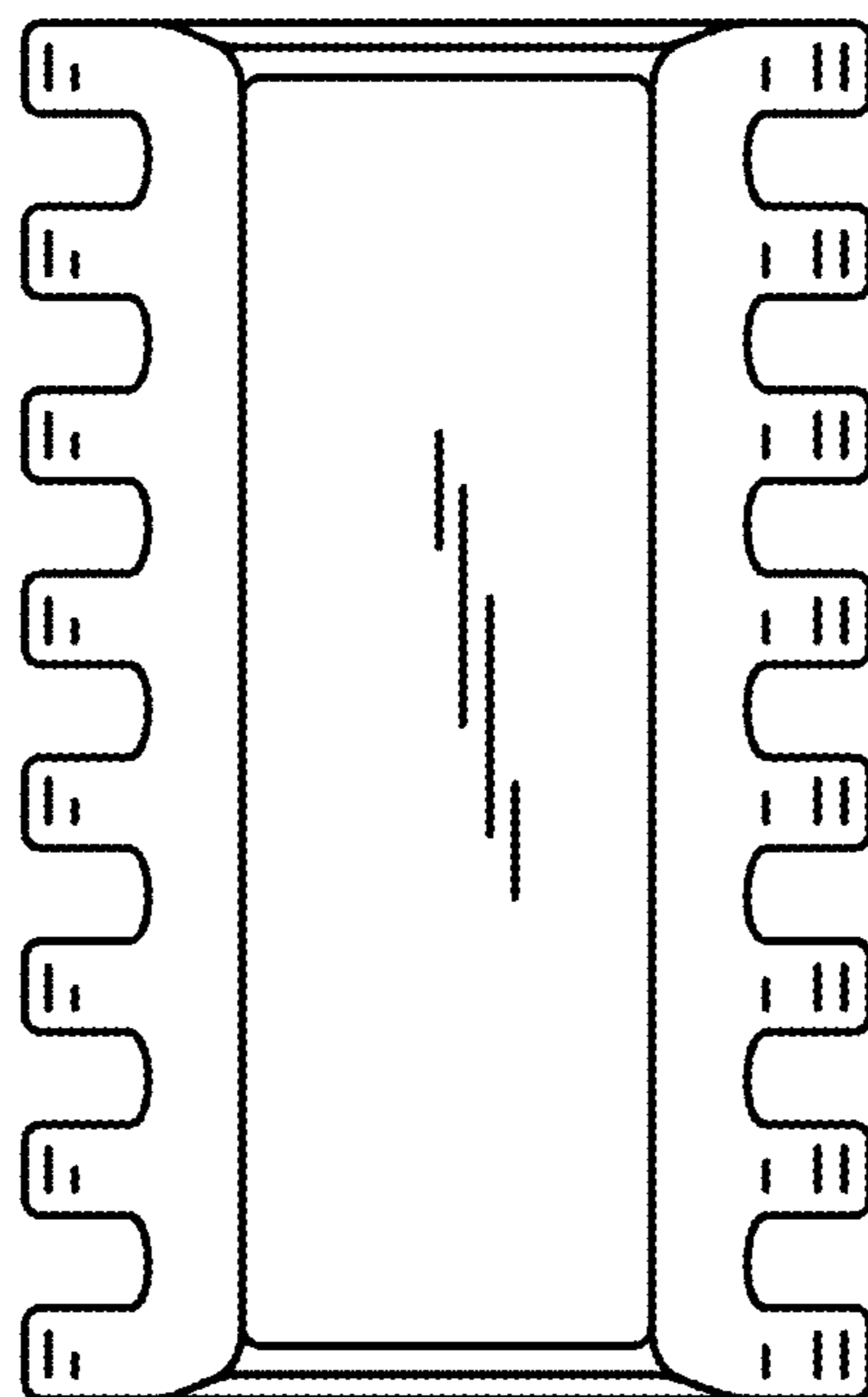


FIG. 13

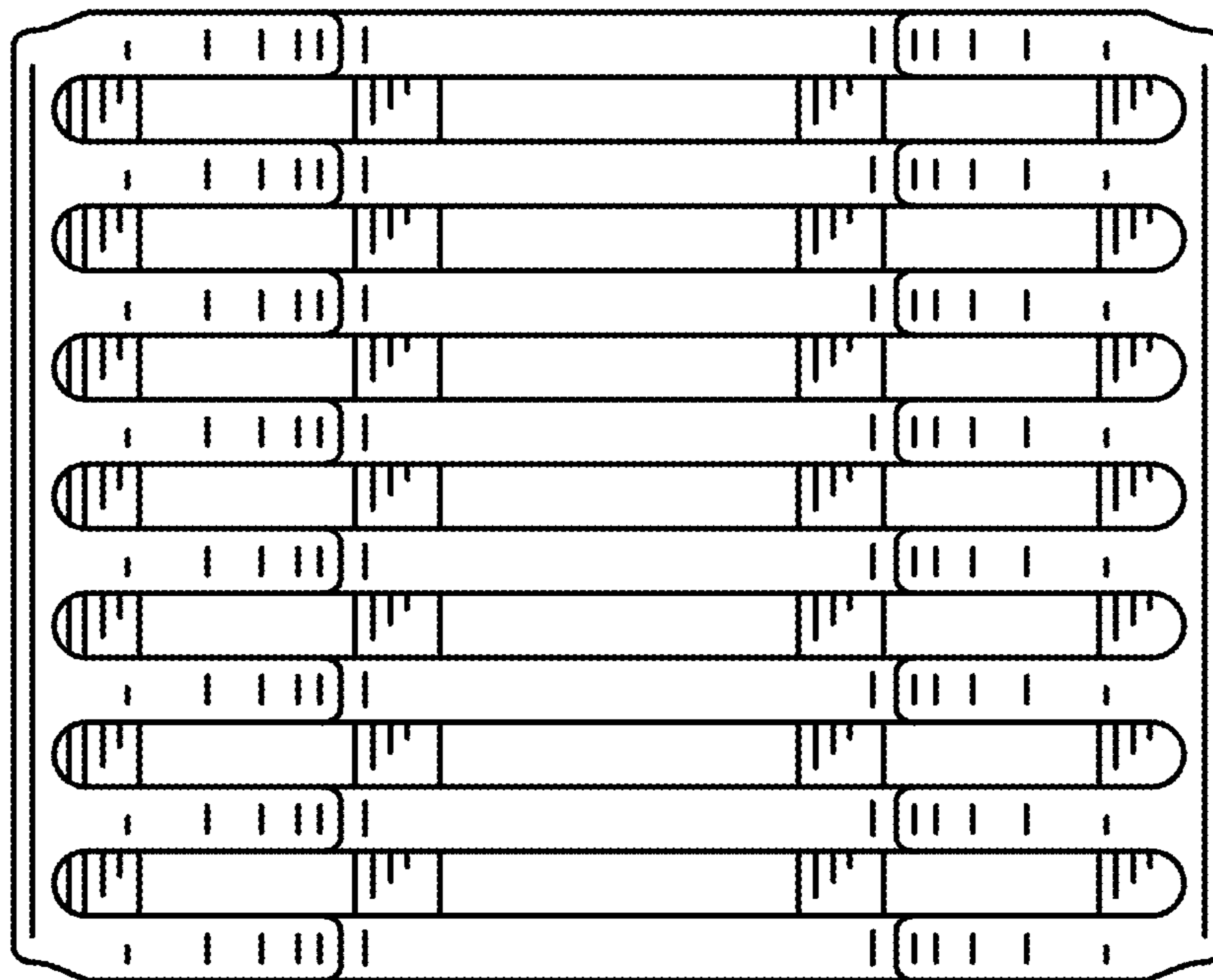


FIG. 14