

US00D821557S

(12) **United States Design Patent**
Schaub et al.

(10) **Patent No.:** **US D821,557 S**
(45) **Date of Patent:** **** Jun. 26, 2018**

(54) **AIR FILTER HOUSING**

(71) Applicant: **ESTA Apparatebau GmbH & Co. KG, Senden (DE)**

(72) Inventors: **Frederik Schaub, Buch (DE); Sebastian Krater, Staig (DE)**

(73) Assignee: **ESTA Apparatebau GmbH & Co. KG, Senden (DE)**

(**) Term: **15 Years**

(21) Appl. No.: **29/585,123**

(22) Filed: **Nov. 21, 2016**

(30) **Foreign Application Priority Data**

May 20, 2016 (EM) 003143205-0001
May 20, 2016 (EM) 003143205-0002
(Continued)

(51) **LOC (11) Cl.** **23-04**

(52) **U.S. Cl.**
USPC **D23/365**

(58) **Field of Classification Search**
USPC D23/200, 259, 324, 355-366, 371,
D23/386-388, 314, 325; D15/9
(Continued)

(56) **References Cited**

U.S. PATENT DOCUMENTS

D367,915 S * 3/1996 Daugherty D13/162
D412,567 S * 8/1999 Ward D23/364
(Continued)

Primary Examiner — Robert M. Spear

Assistant Examiner — John A Voytek

(74) *Attorney, Agent, or Firm* — Renner, Otto, Boisselle & Sklar, LLP

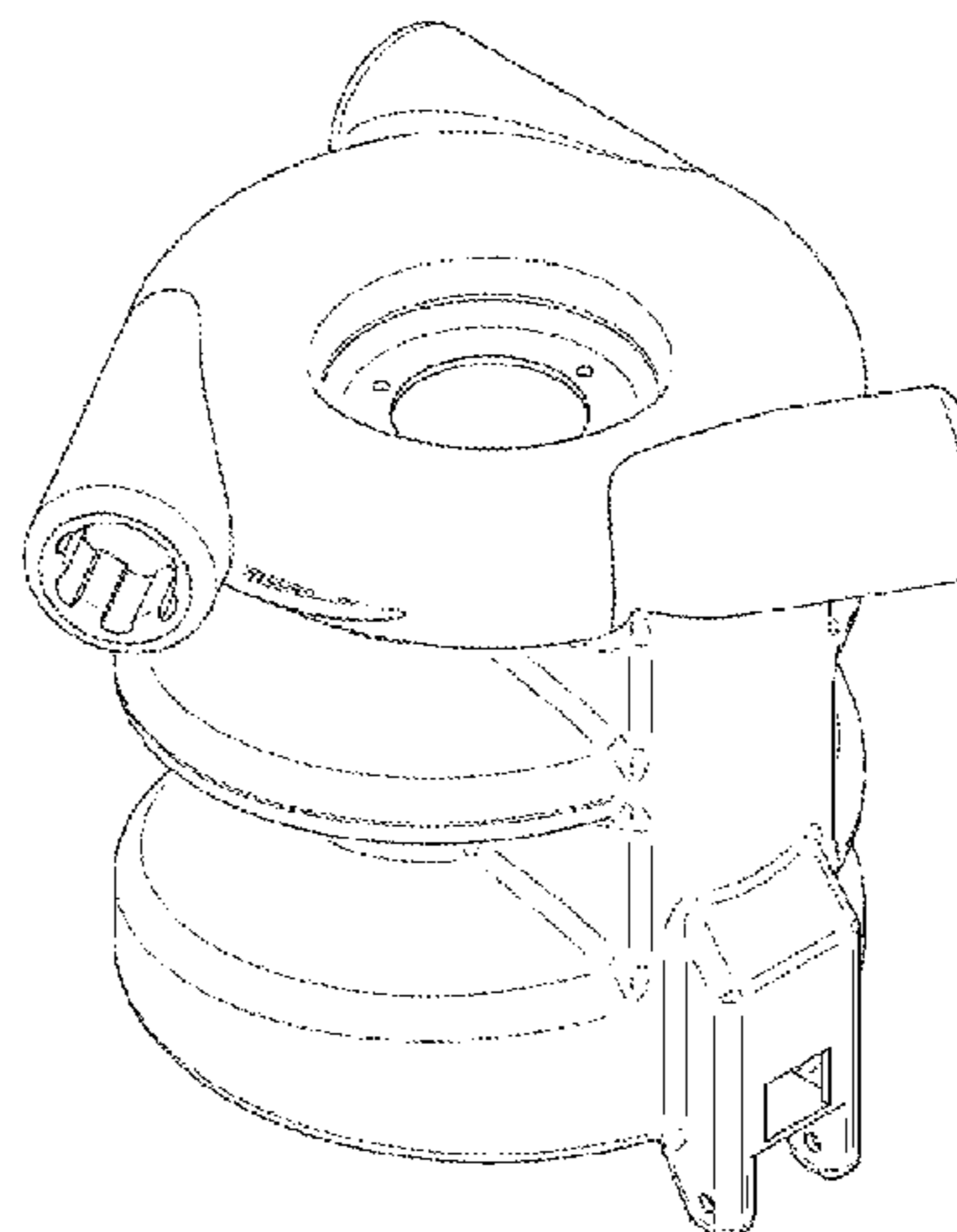
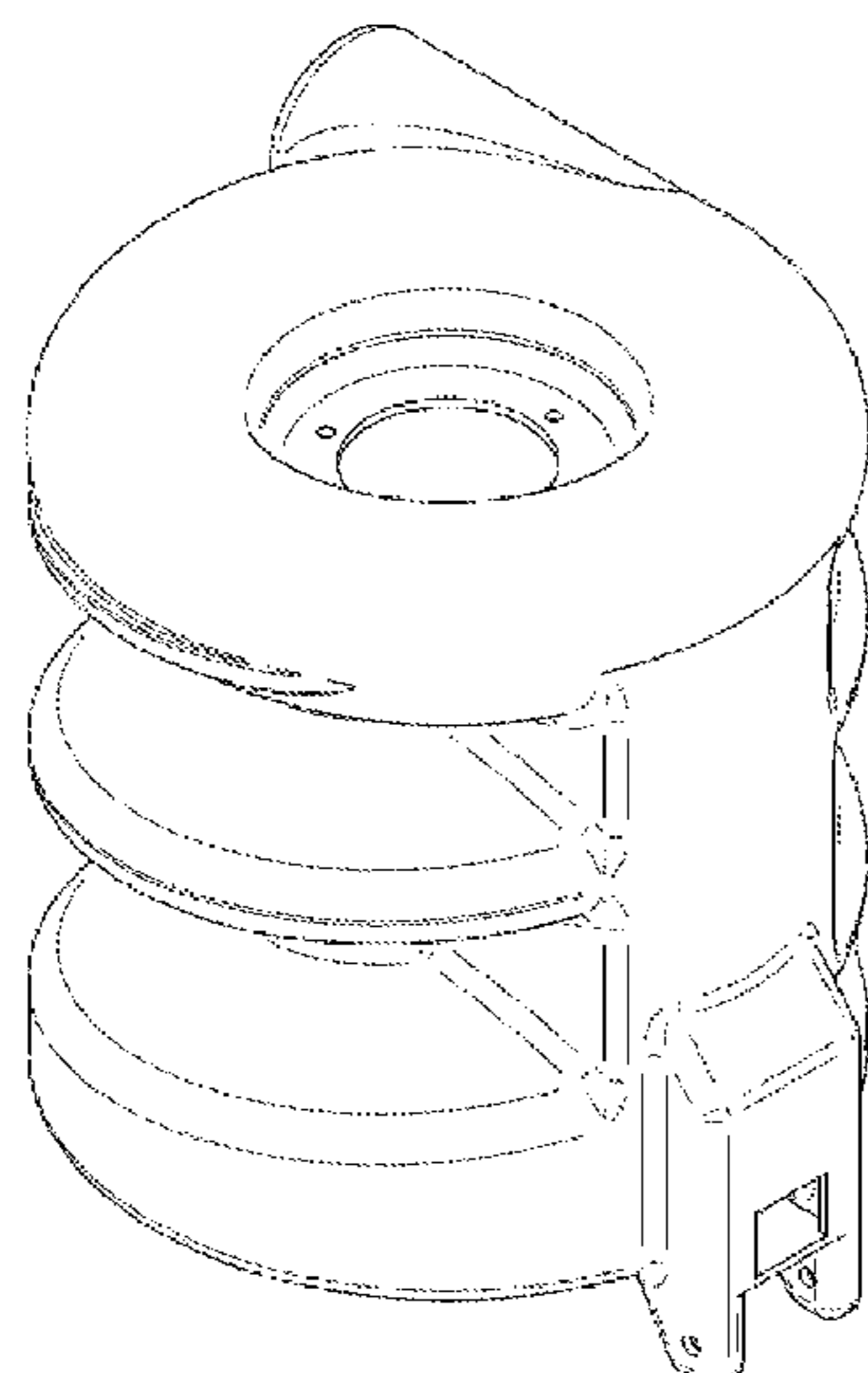
(57) **CLAIM**

The ornamental design for a air filter housing, as shown and described.

DESCRIPTION

FIG. 1 is a perspective view of a first embodiment of a air filter housing showing our design.
FIG. 2 is a right side view thereof.
FIG. 3 is a front view thereof.
FIG. 4 is a rear view thereof.
FIG. 5 is a left side view thereof.
FIG. 6 is a top view thereof.
FIG. 7 is another perspective view thereof.
FIG. 8 is a perspective view of a second embodiment.
FIG. 9 is a rear view thereof.
FIG. 10 is a left side view thereof.
FIG. 11 is a front view thereof.
FIG. 12 is another perspective view thereof.
FIG. 13 is a top view thereof.
FIG. 14 is a right side view thereof.
FIG. 15 is a perspective view of a third embodiment.
FIG. 16 is a right side view thereof.
FIG. 17 is a rear view thereof.
FIG. 18 is a front view thereof.
FIG. 19 is a top view thereof.
FIG. 20 is another perspective view thereof.
FIG. 21 is a left side view thereof.
FIG. 22 is a perspective view of a fourth embodiment.
FIG. 23 is a right side view thereof.
FIG. 24 is a rear view thereof.
FIG. 25 is a front view thereof.
FIG. 26 is a left side view thereof.
FIG. 27 is a top view thereof.
FIG. 28 is another perspective view thereof.
FIG. 29 is a front view of a fifth embodiment.
FIG. 30 is a right side view thereof.
FIG. 31 is a perspective view thereof.
FIG. 32 is another perspective view thereof.
FIG. 33 is a rear view thereof.
FIG. 34 is a left side view thereof; and,
FIG. 35 is a top view thereof.

1 Claim, 18 Drawing Sheets



(30) **Foreign Application Priority Data**

May 20, 2016 (EM) 003143205-0003
May 20, 2016 (EM) 003143205-0004
May 20, 2016 (EM) 003143205-0005

(58) **Field of Classification Search**

CPC A62B 23/00; A61L 9/12; B01D 46/00;
B01D 46/0002; B01D 46/0004; B01D
46/10; F02M 35/024

See application file for complete search history.

(56) **References Cited**

U.S. PATENT DOCUMENTS

D416,317 S * 11/1999 Bellil D23/364
D485,339 S * 1/2004 Klug D23/365
7,662,203 B2 * 2/2010 Scott B01D 46/0001
55/498
8,273,143 B2 * 9/2012 Coulonvaux B01D 46/0005
55/344
D705,412 S * 5/2014 Dworatzek D23/365
D752,727 S * 3/2016 Tracey D23/360
D762,293 S * 7/2016 Grosche D23/365
D762,834 S * 8/2016 Kaufmann D23/365
D785,139 S * 4/2017 Gansler D23/259
2011/0008158 A1 * 1/2011 Boening F01D 25/24
415/200
2011/0217162 A1 * 9/2011 Dillon F04D 29/4206
415/207

* cited by examiner

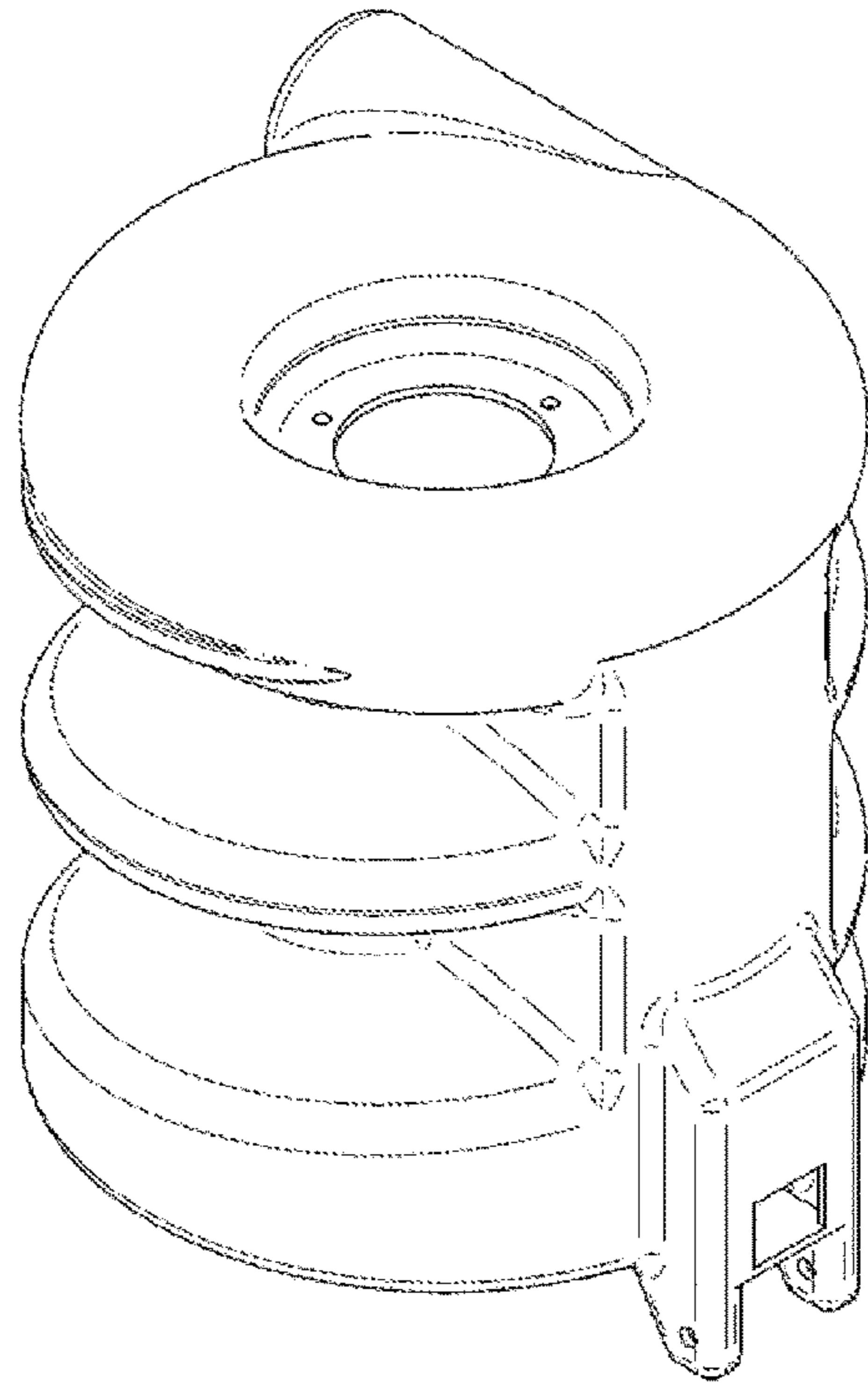


FIG. 1

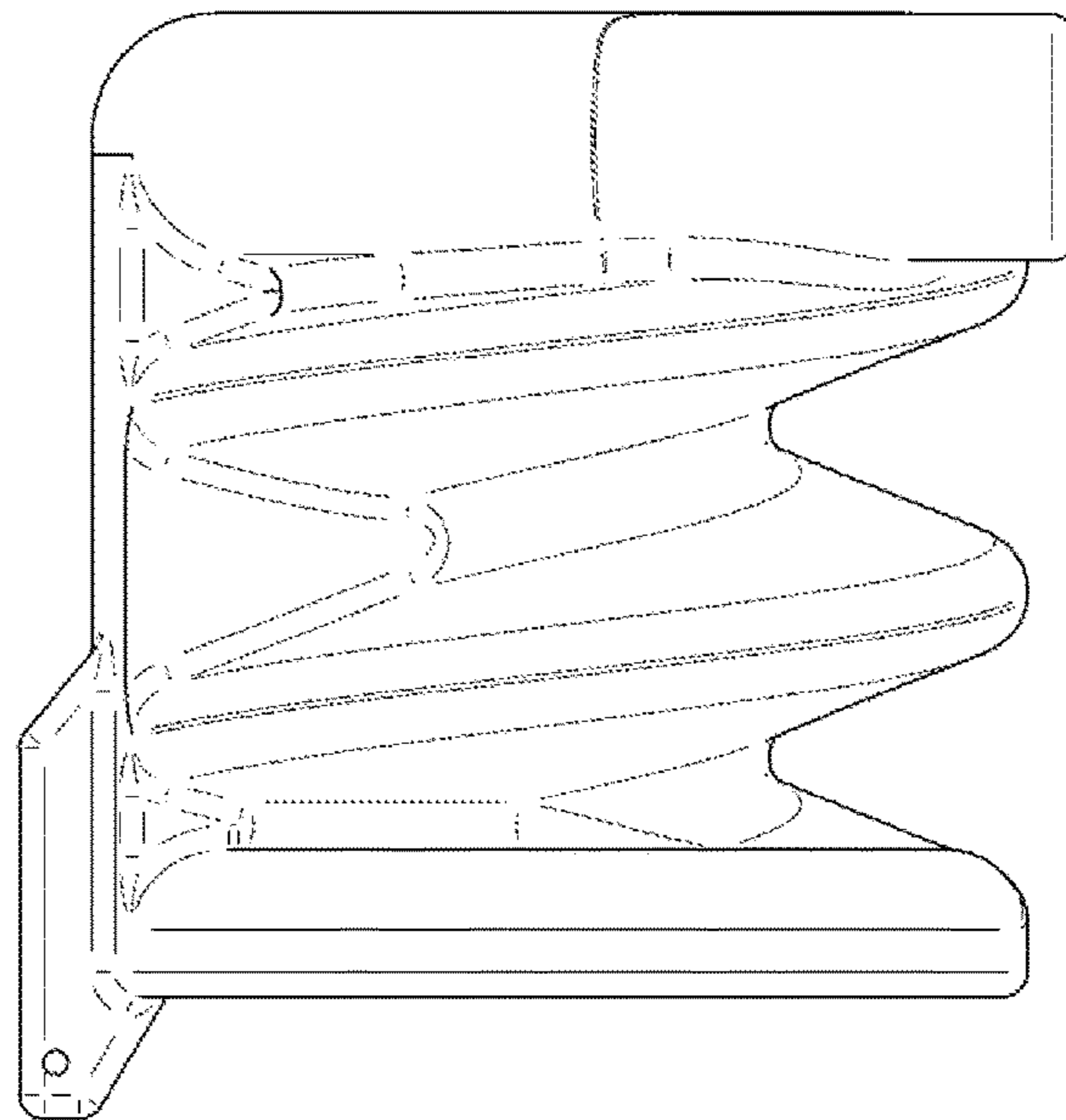


FIG. 2

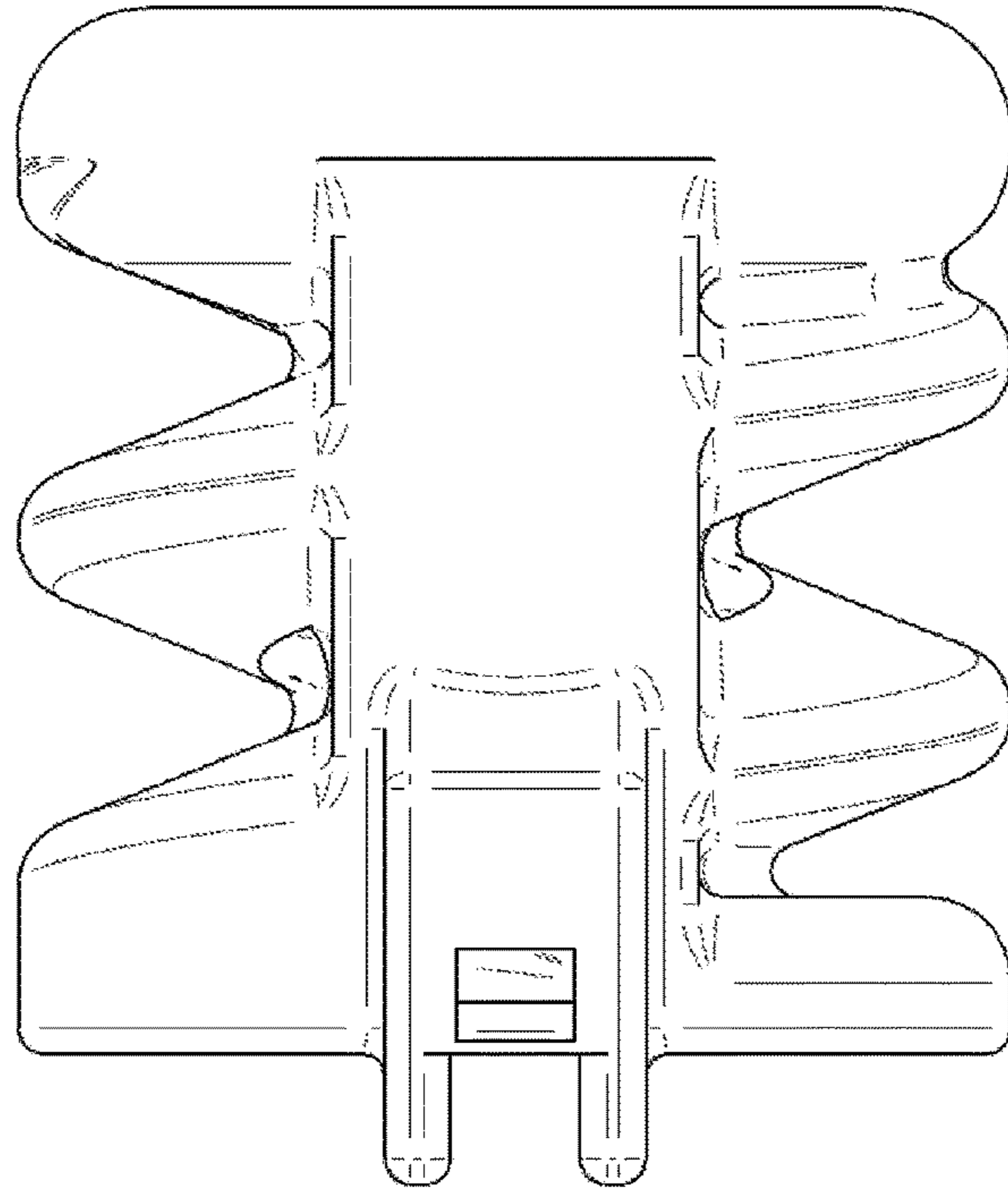


FIG. 3

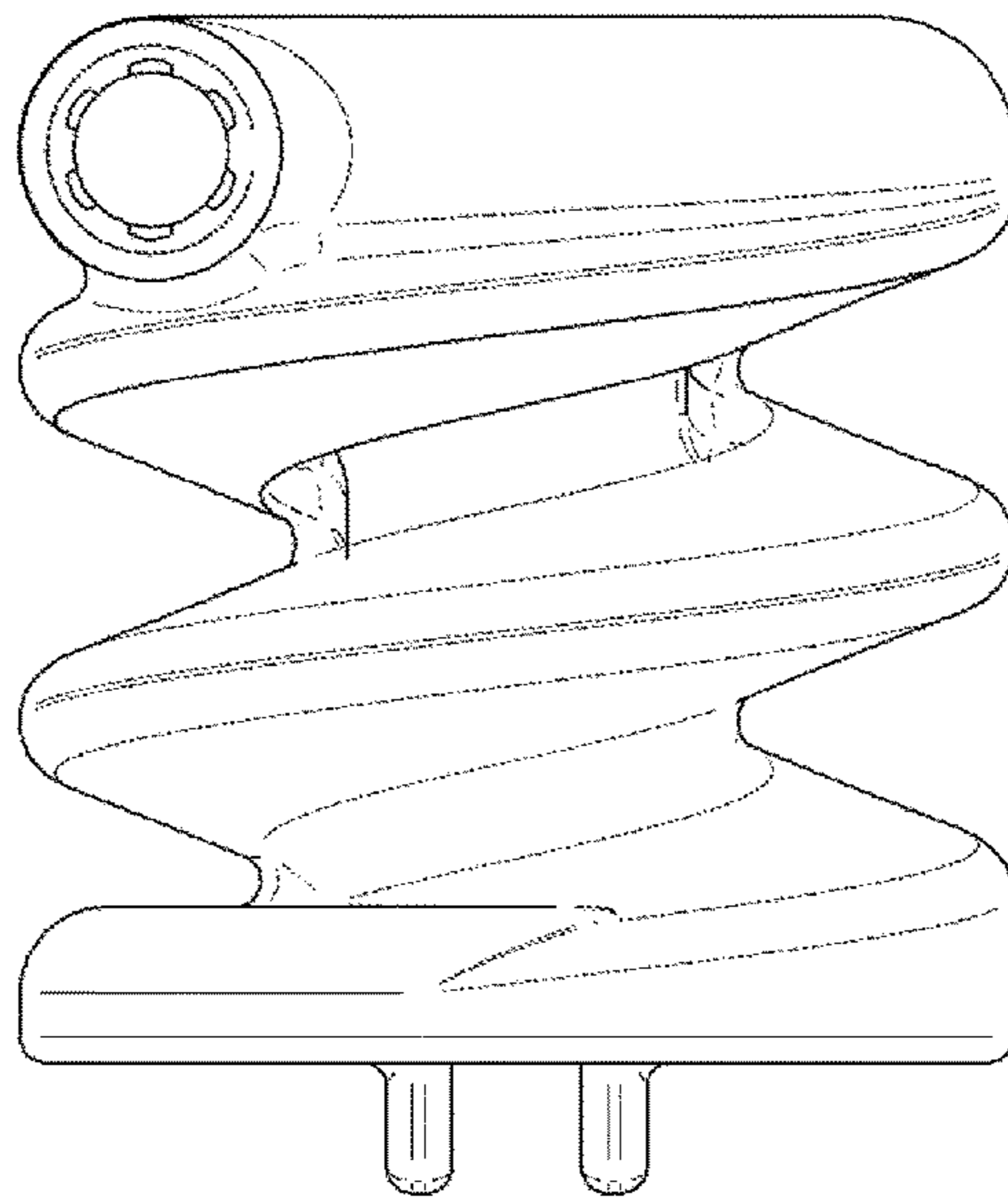


FIG. 4

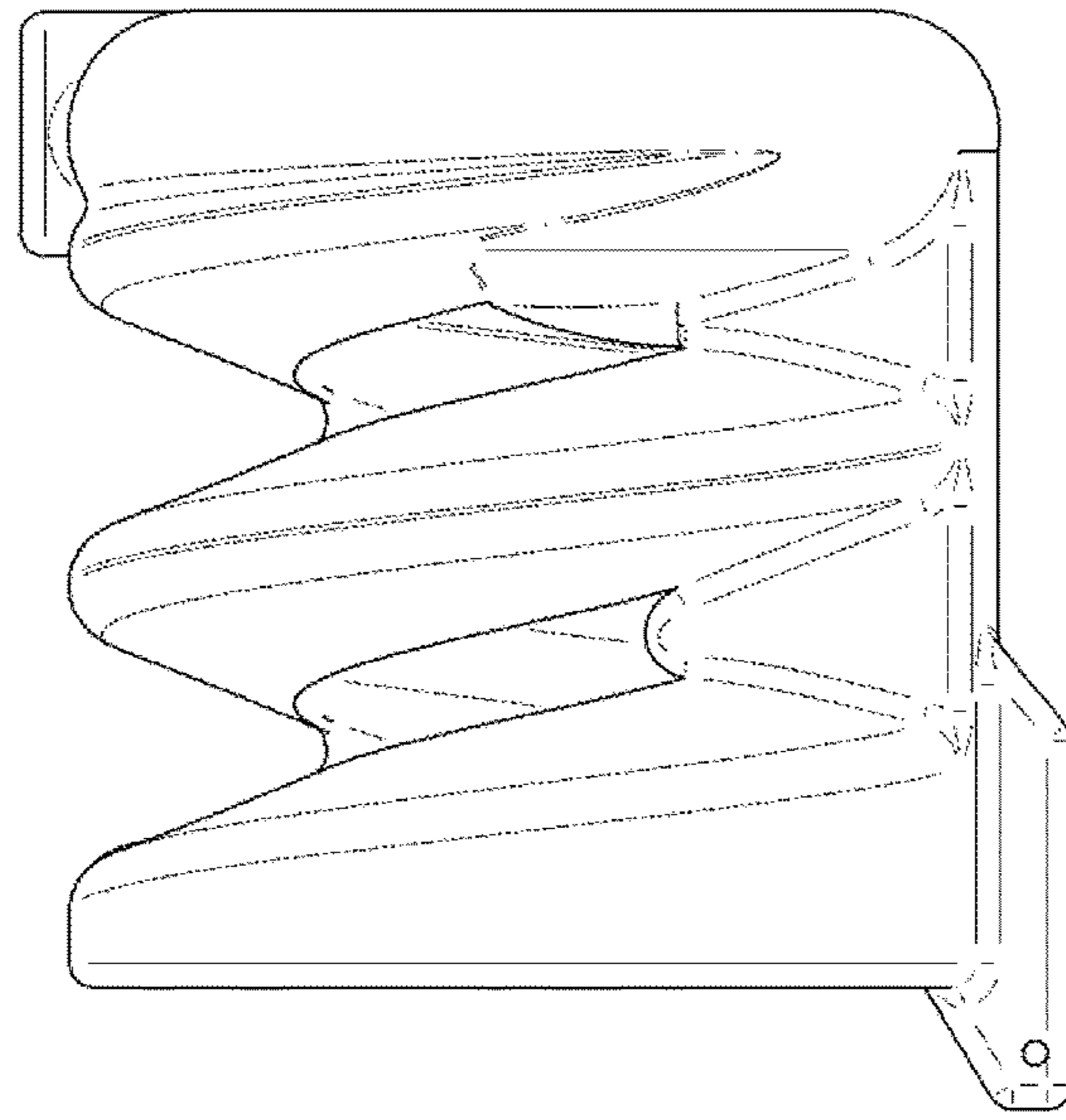


FIG. 5

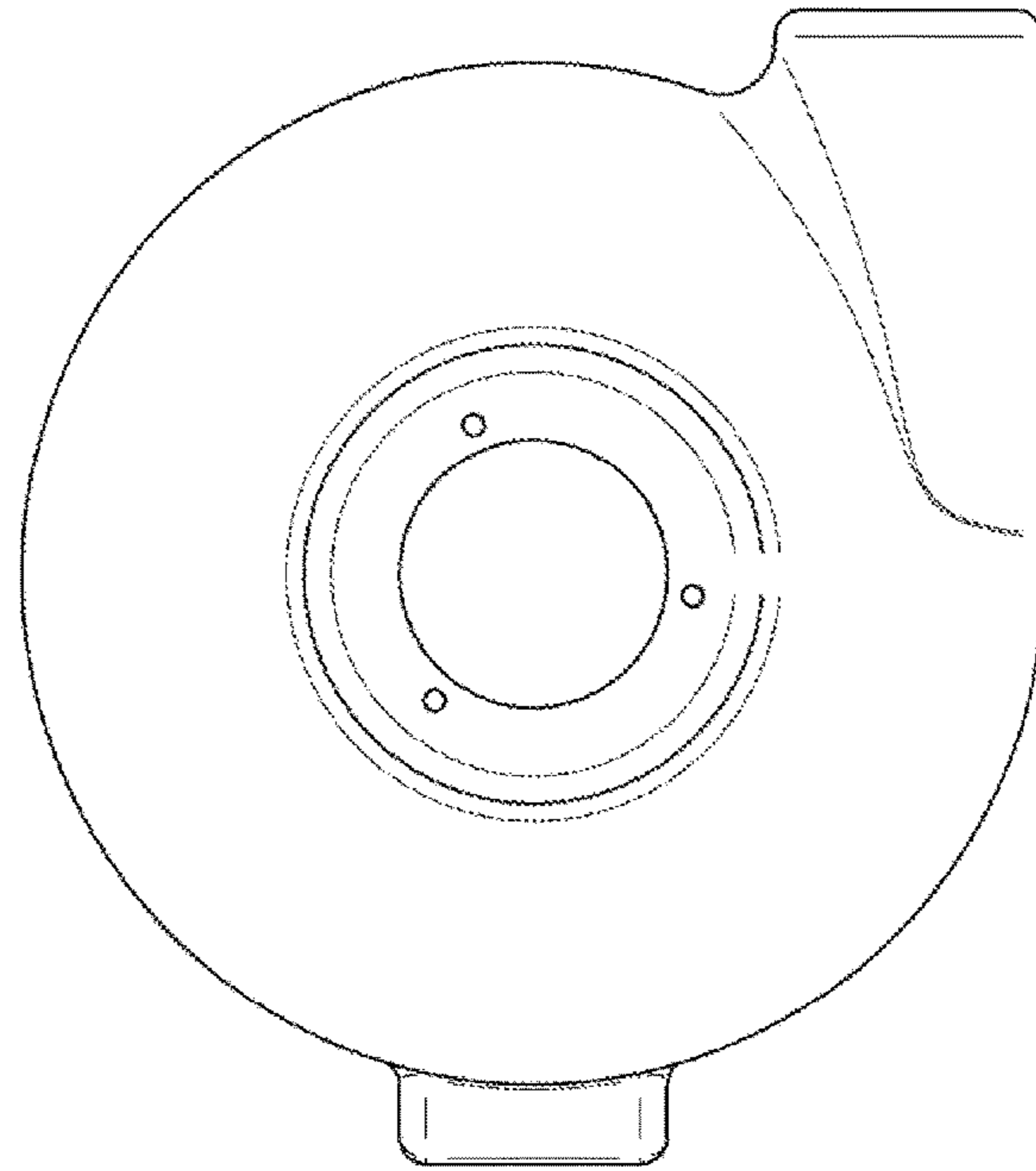


FIG. 6

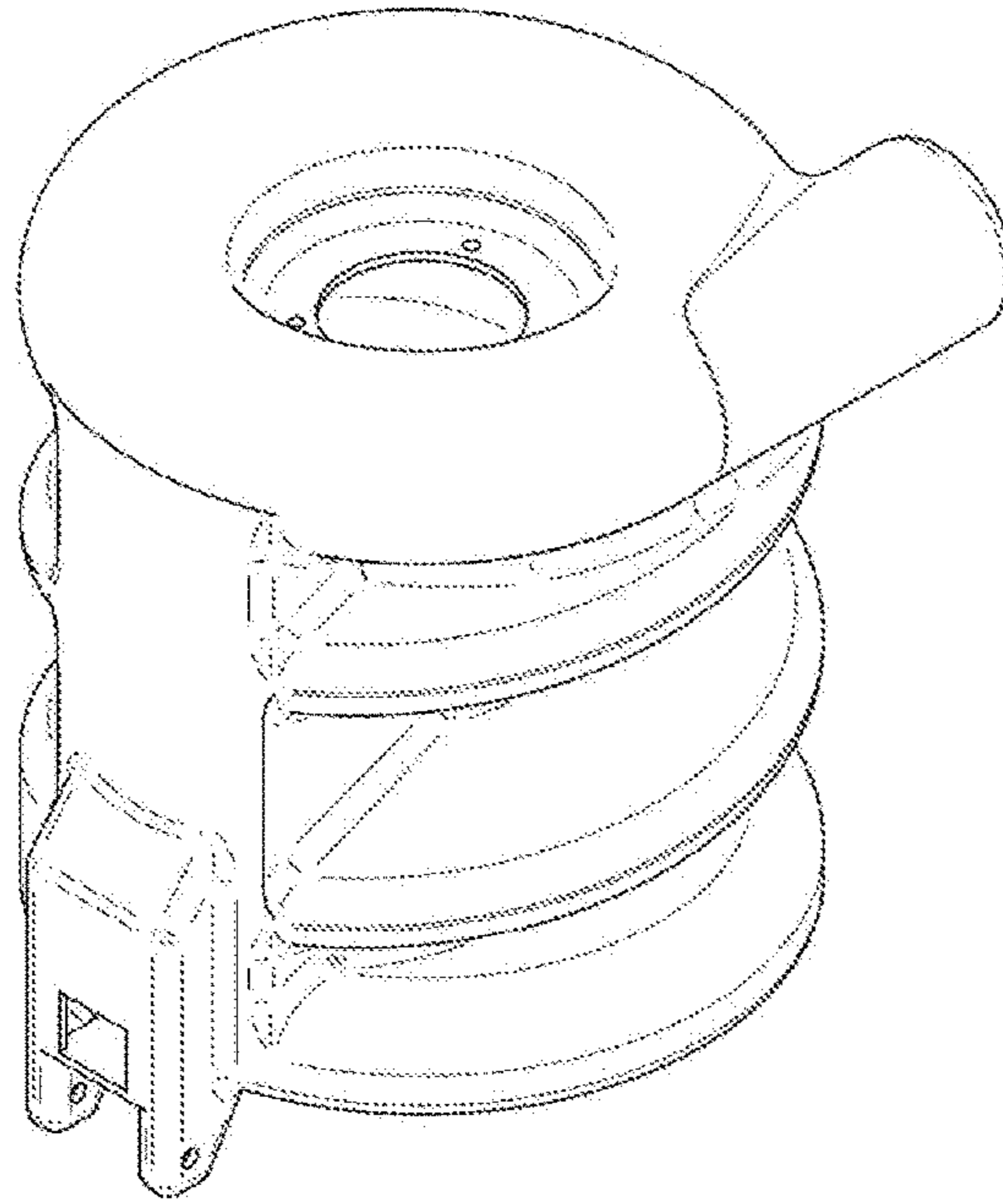


FIG. 7

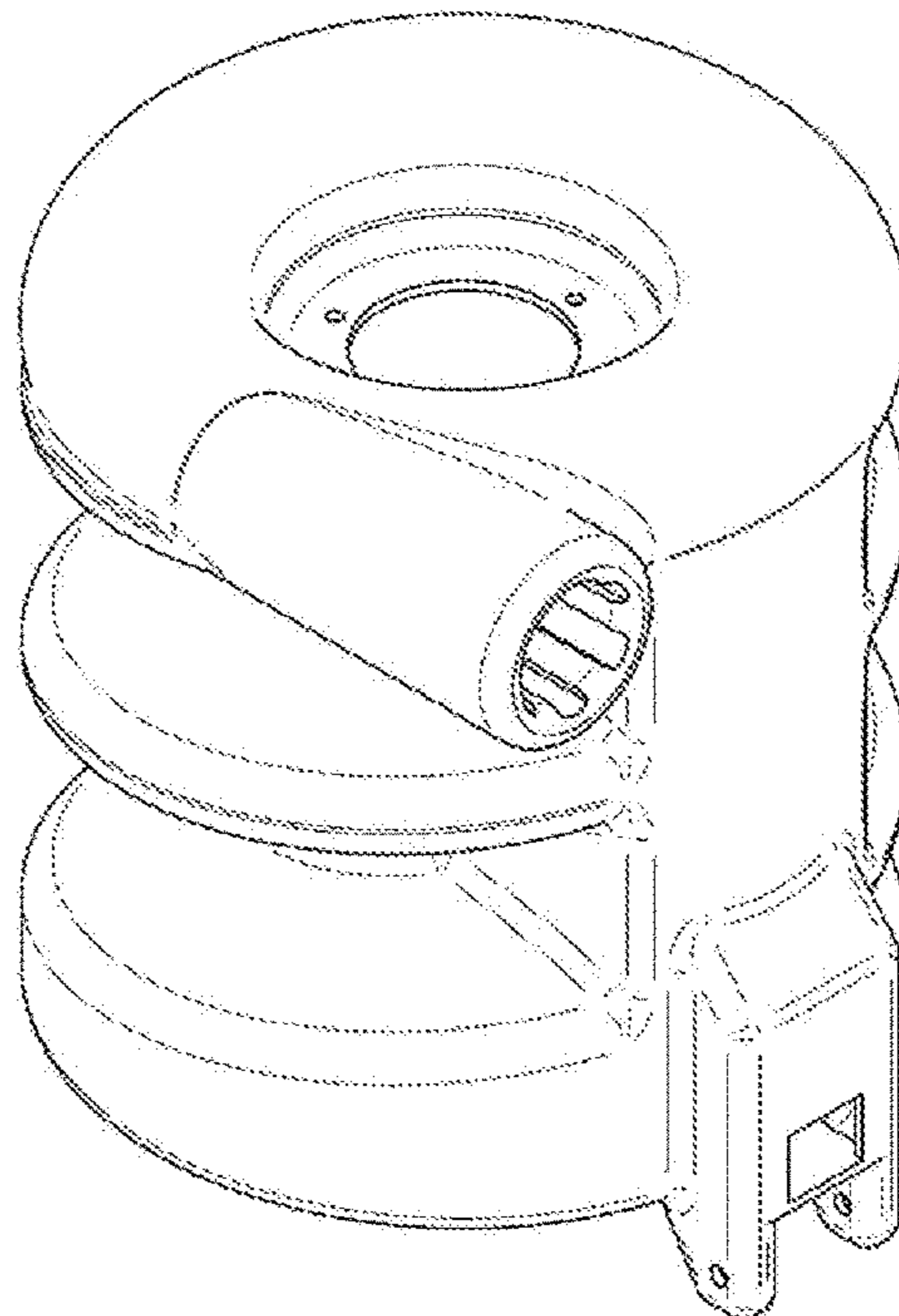


FIG. 8

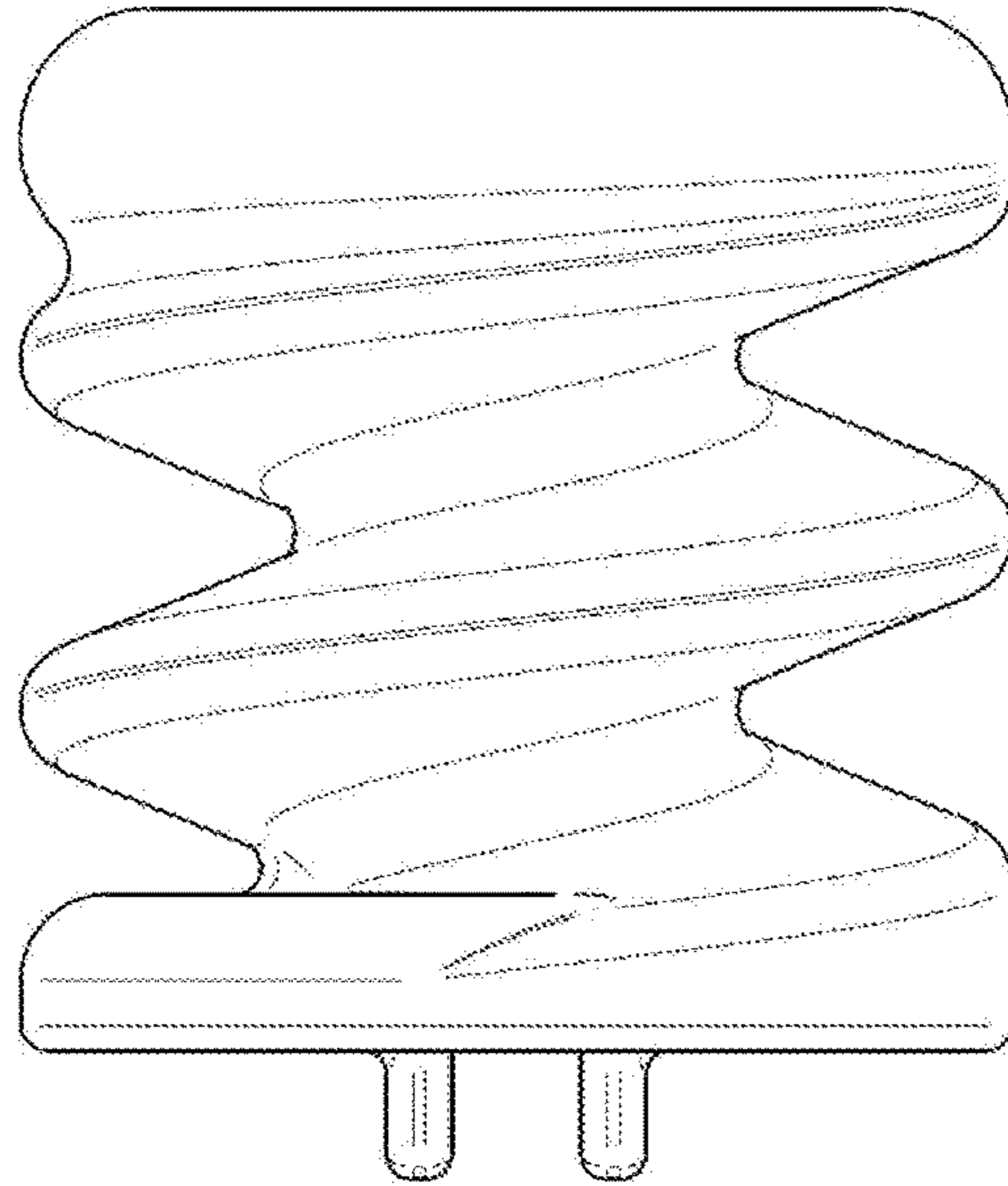


FIG. 9

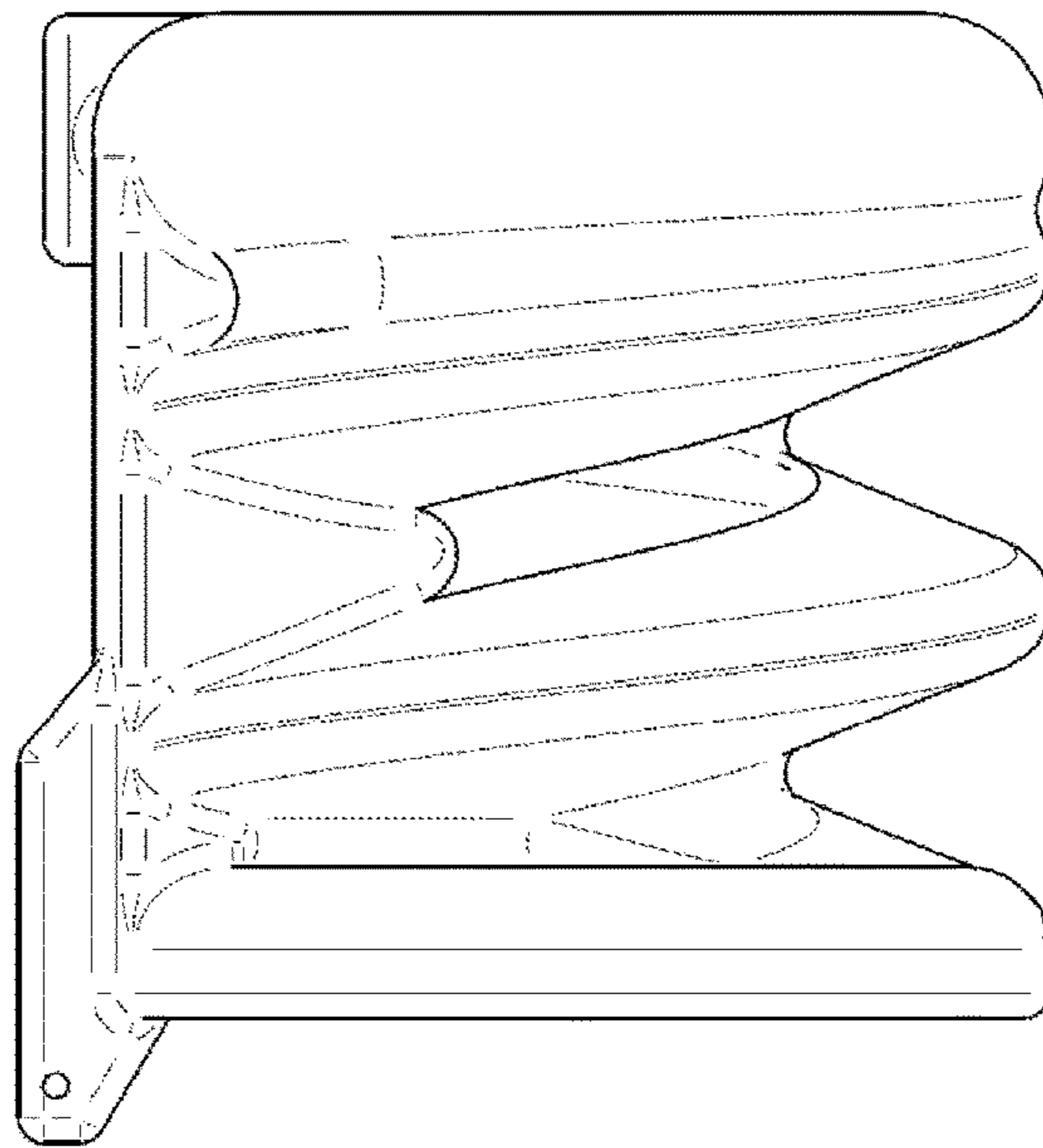


FIG. 10

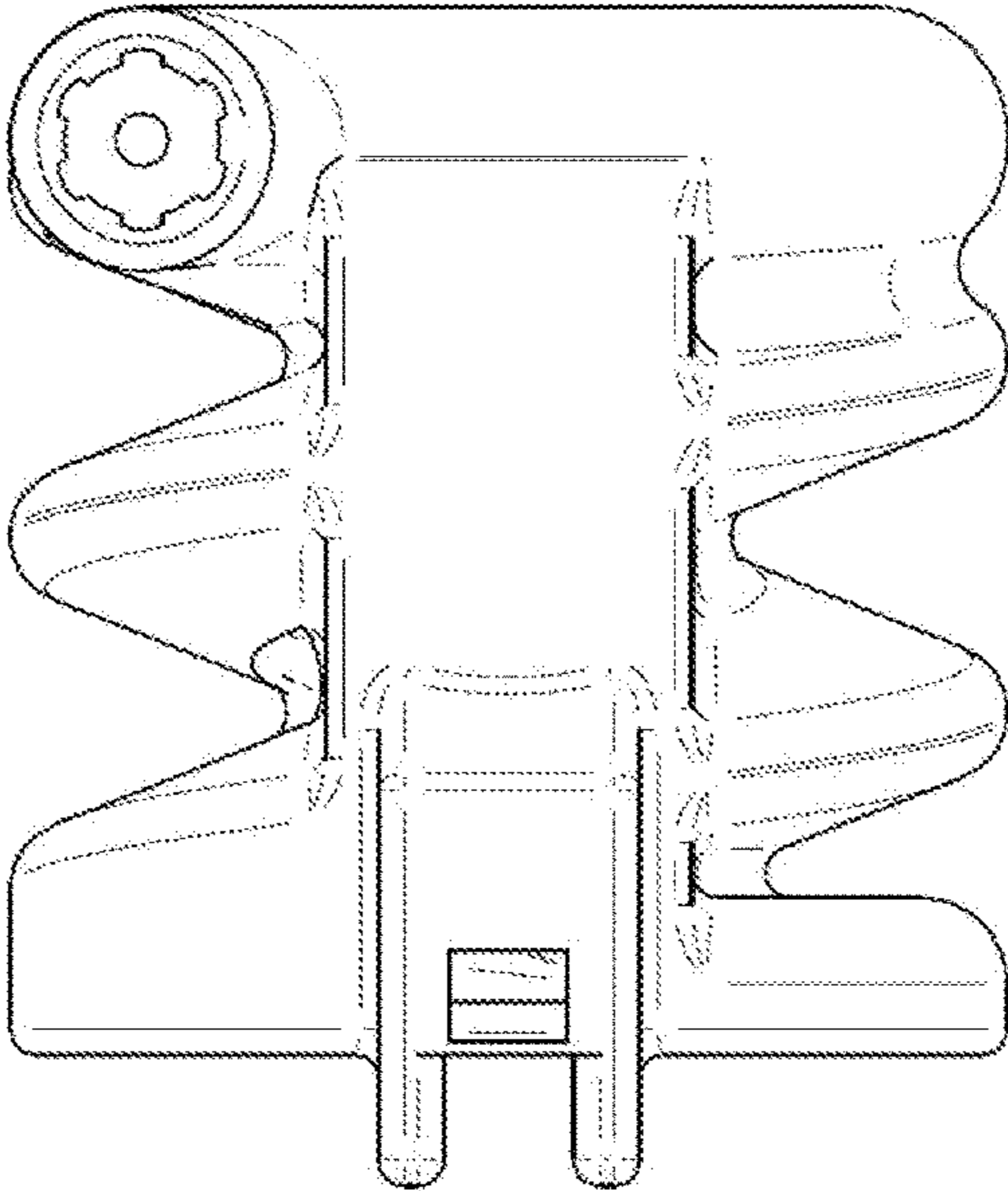


FIG. 11

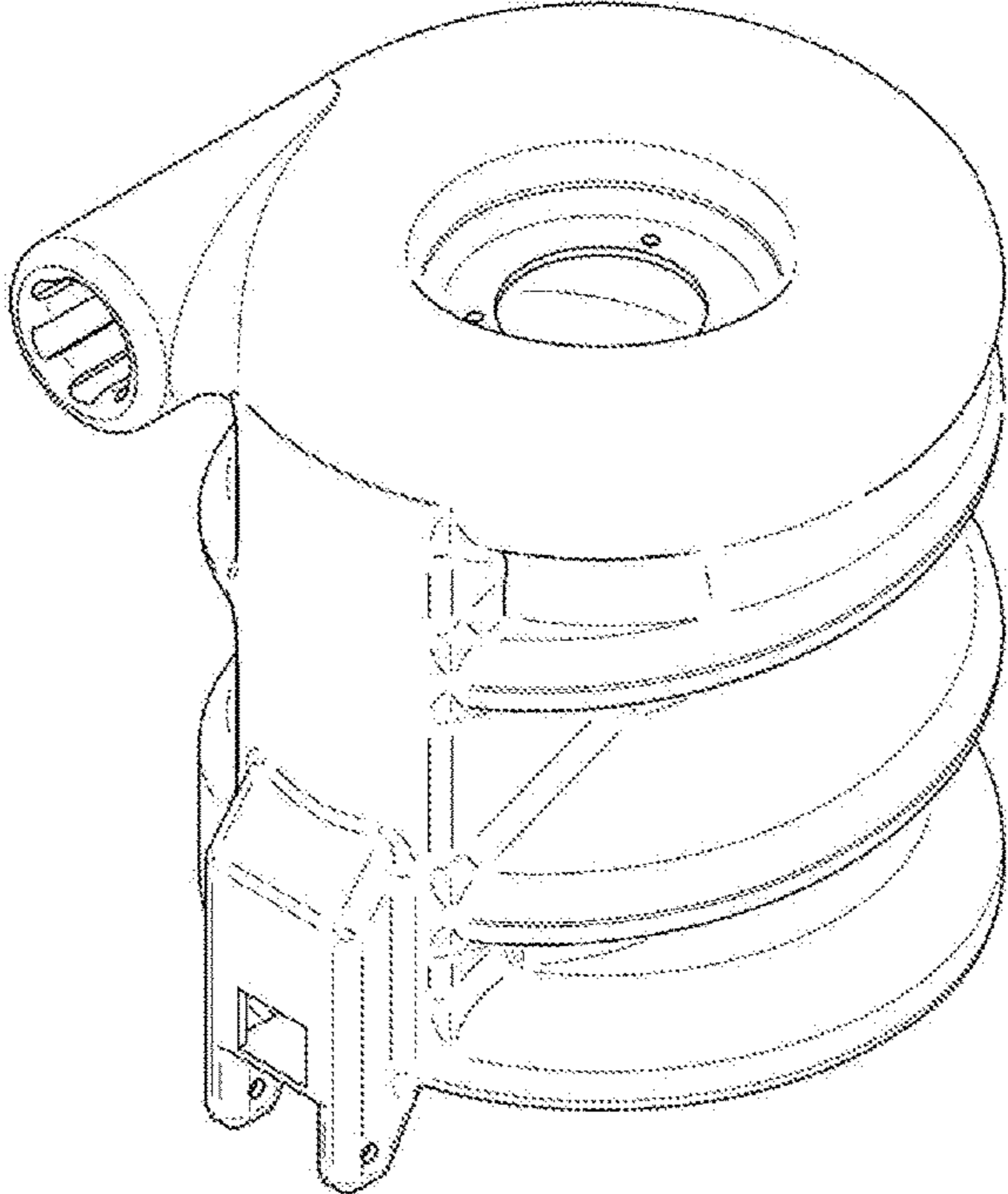


FIG. 12

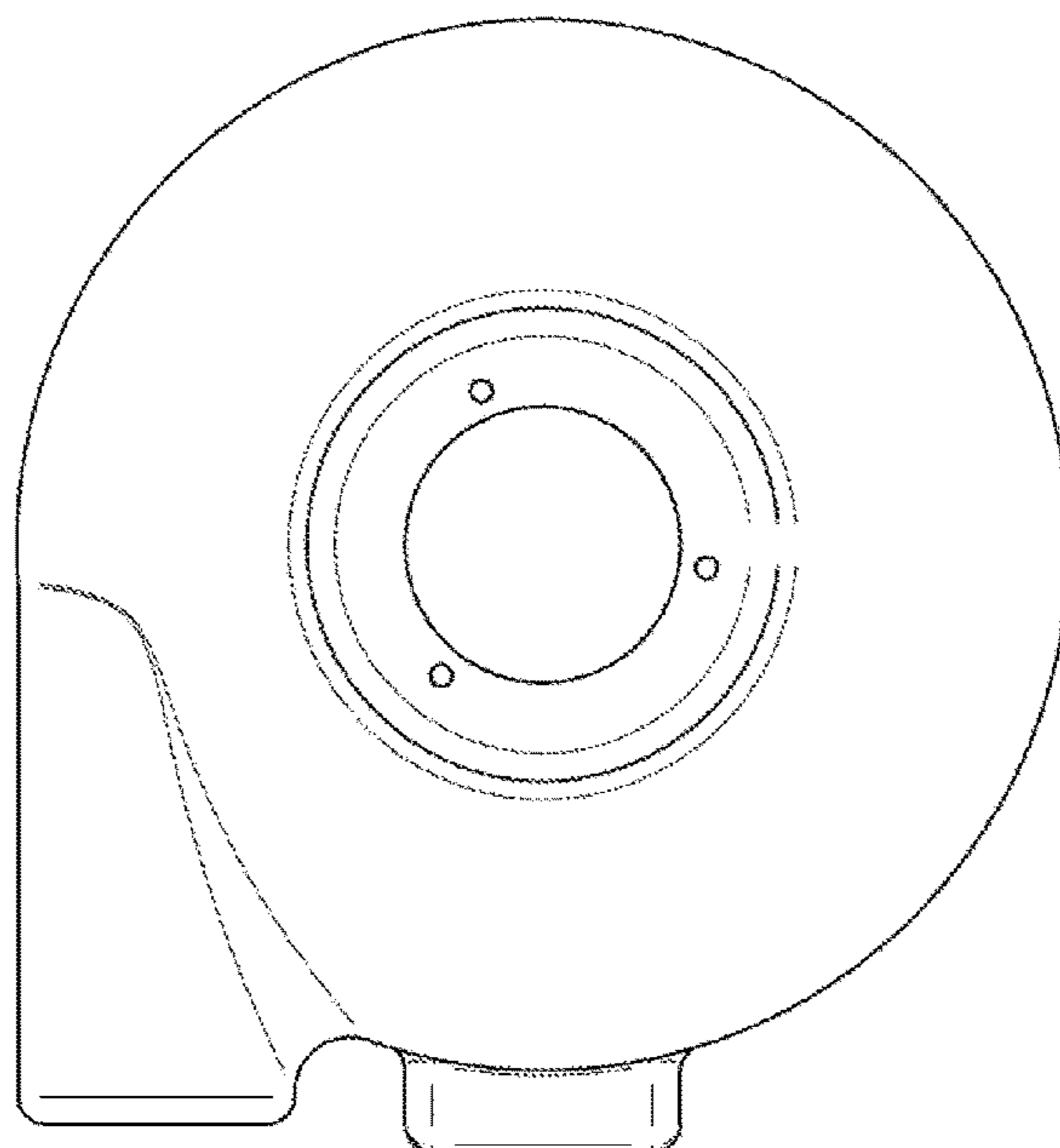


FIG. 13

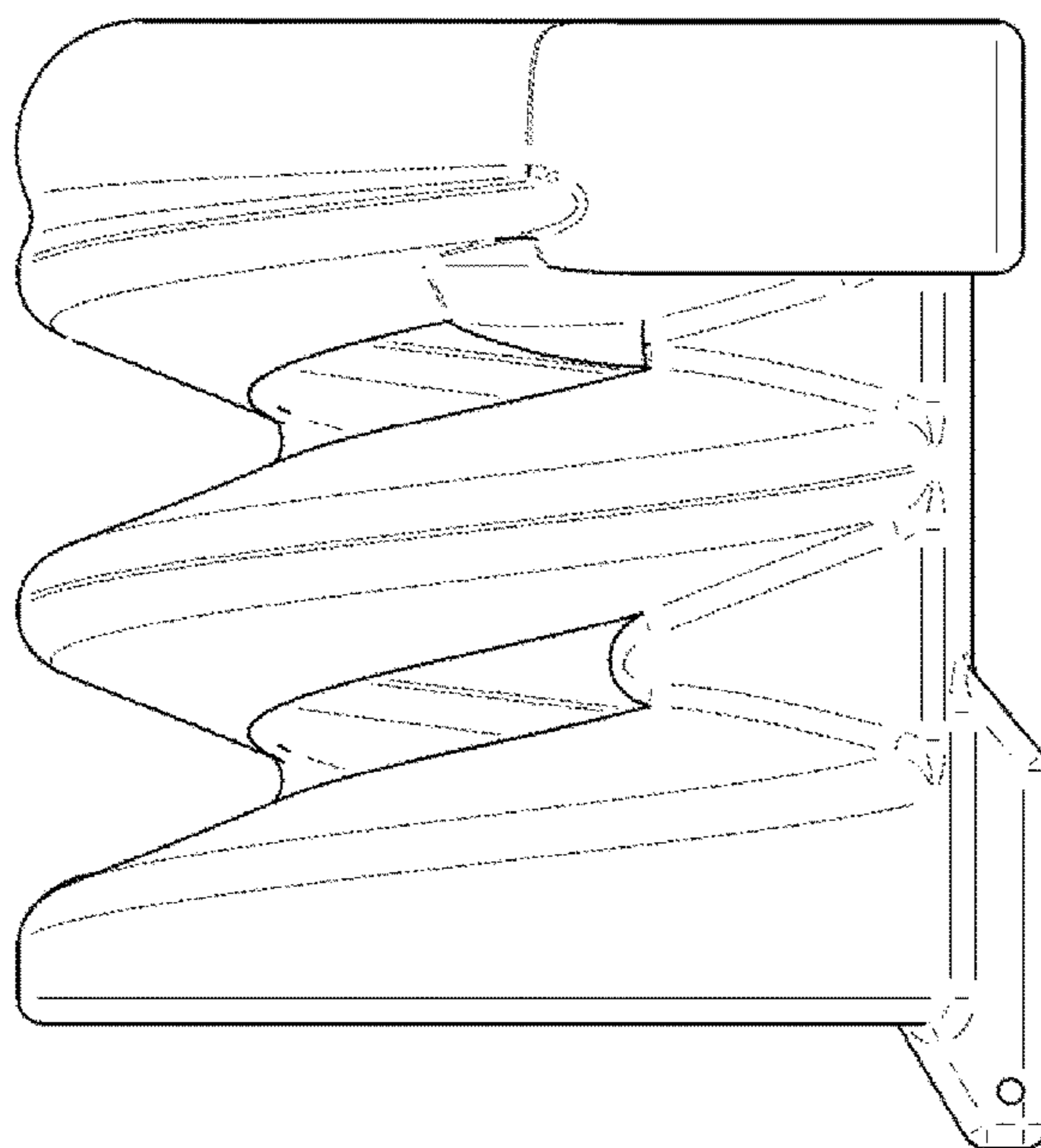


FIG. 14

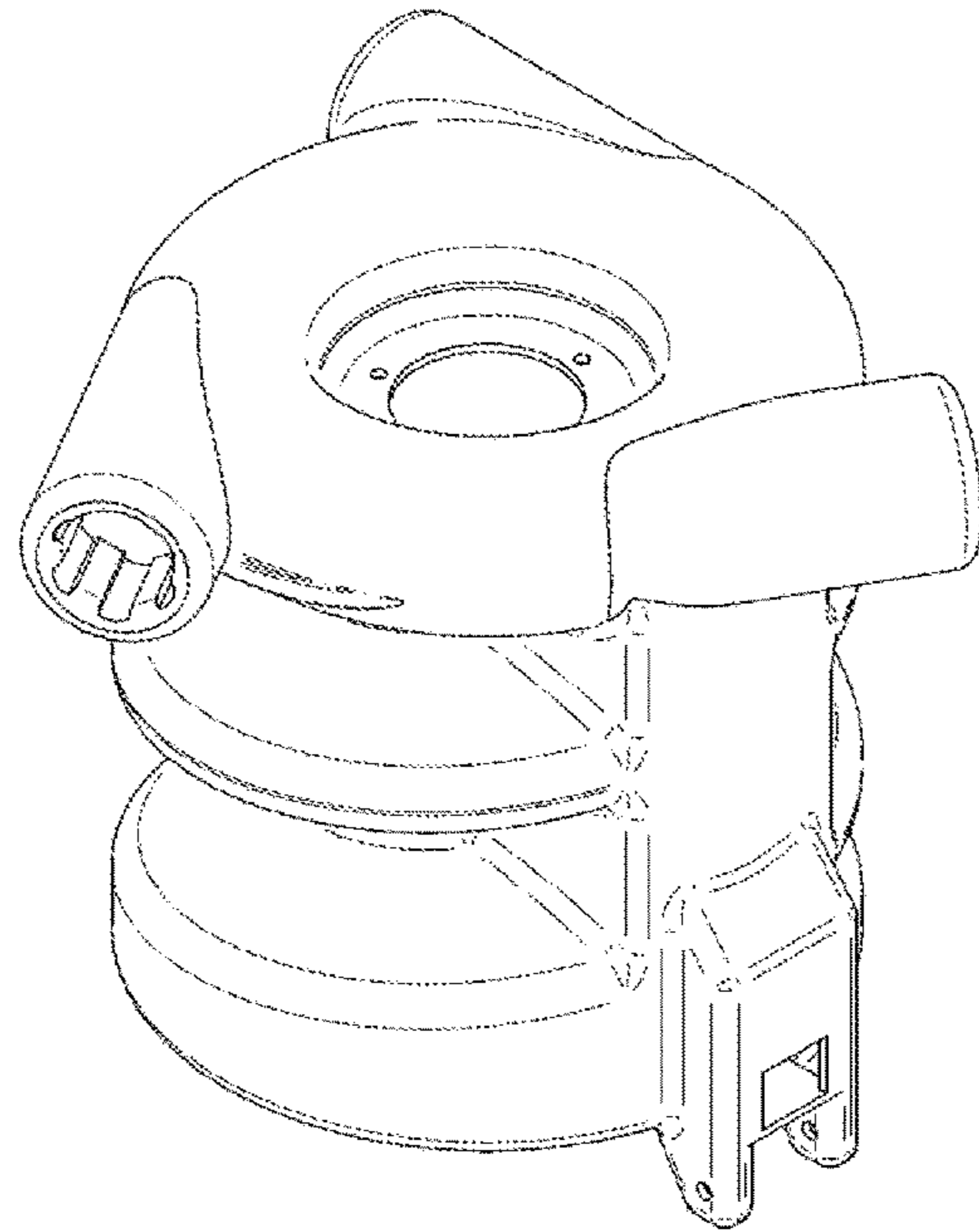


FIG. 15

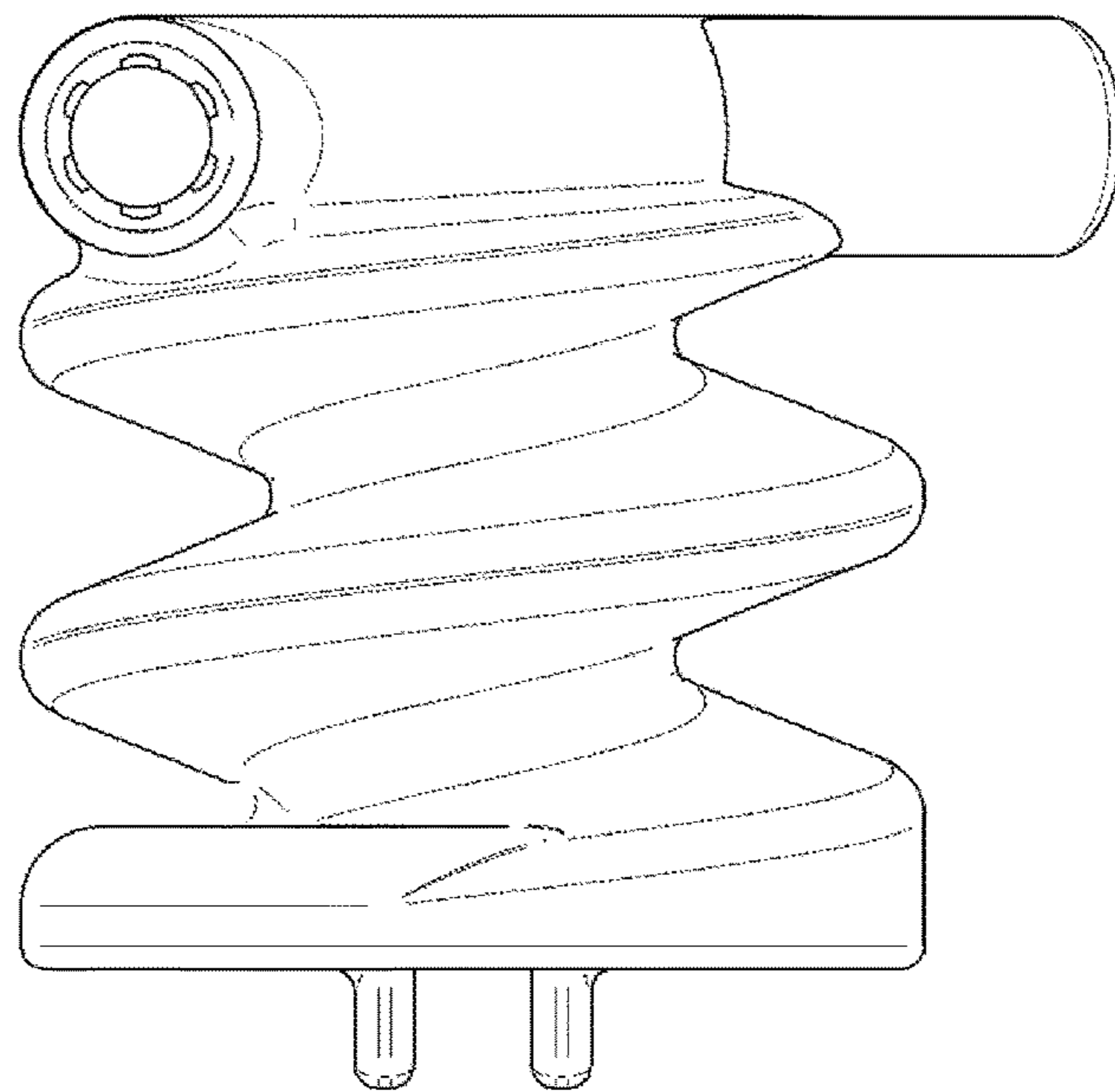


FIG. 16

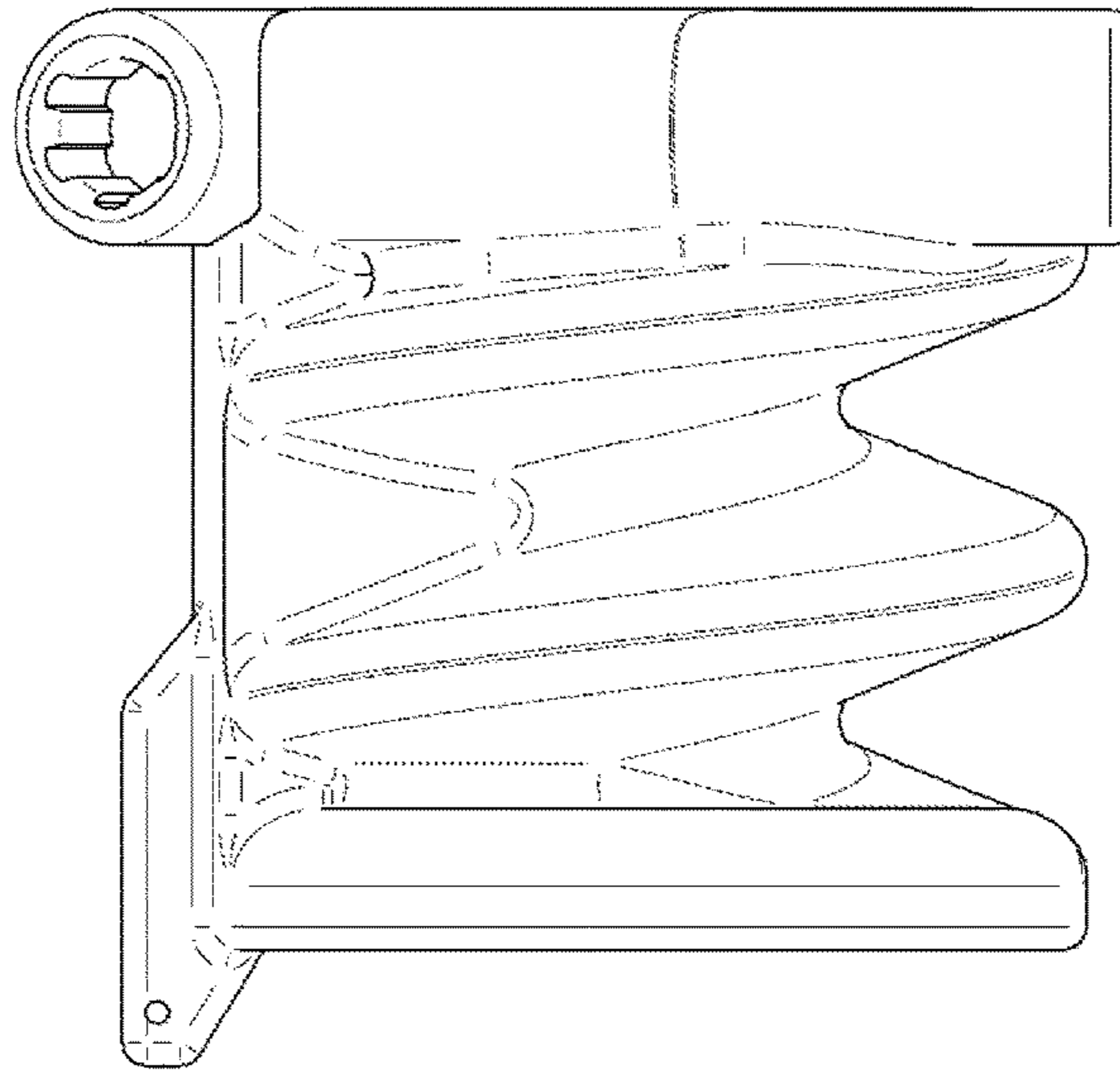


FIG. 17

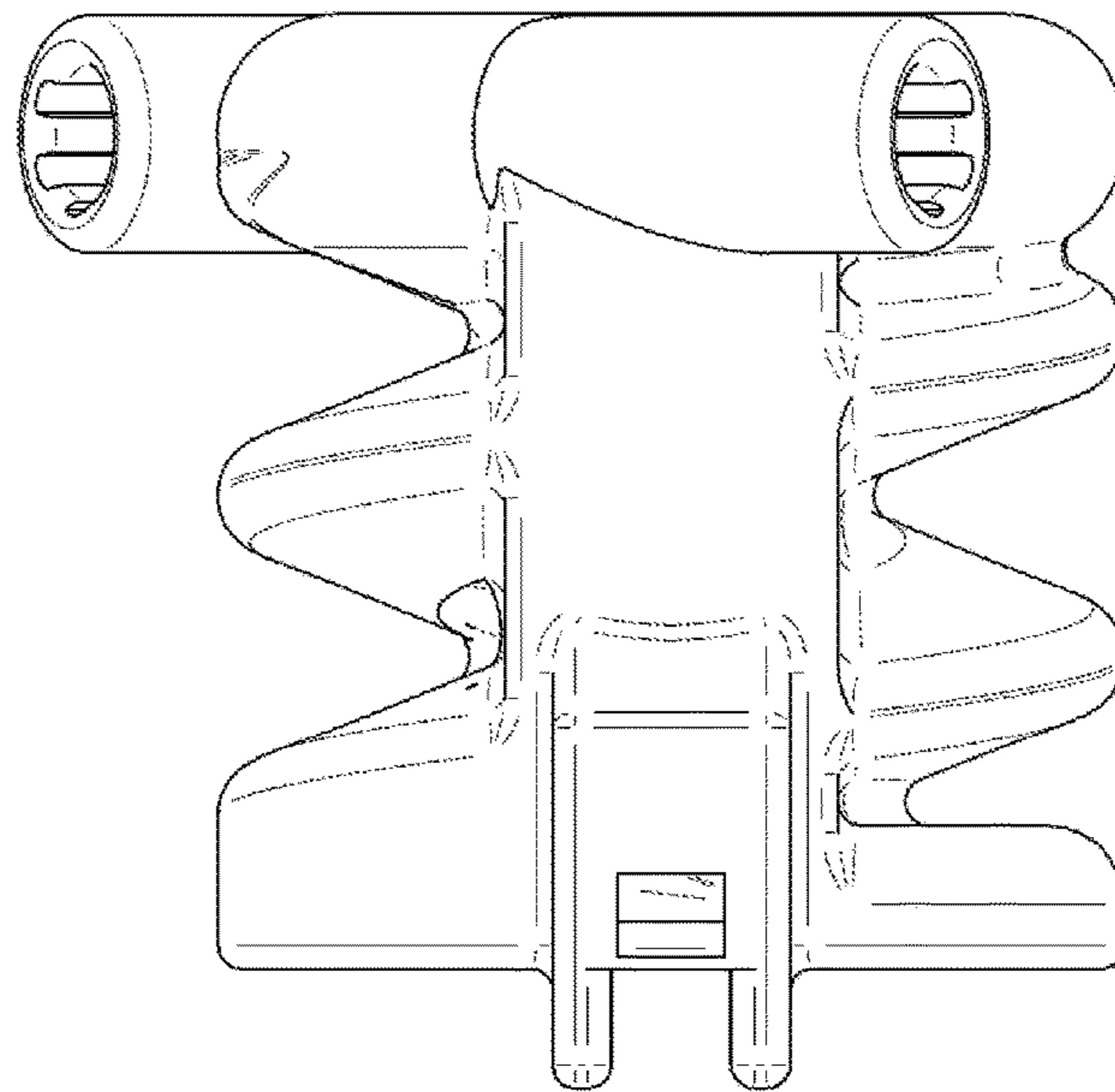


FIG. 18

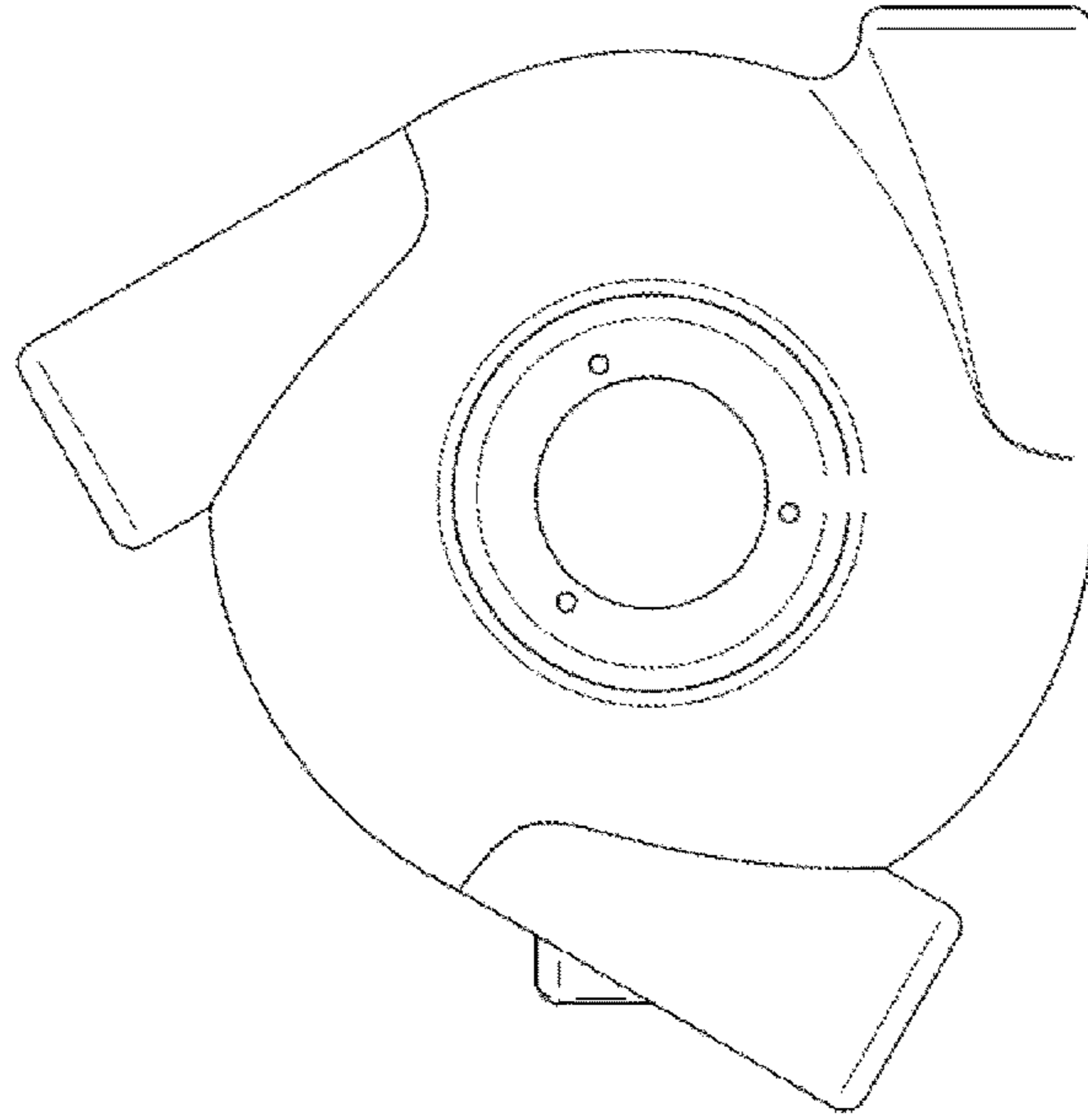


FIG. 19

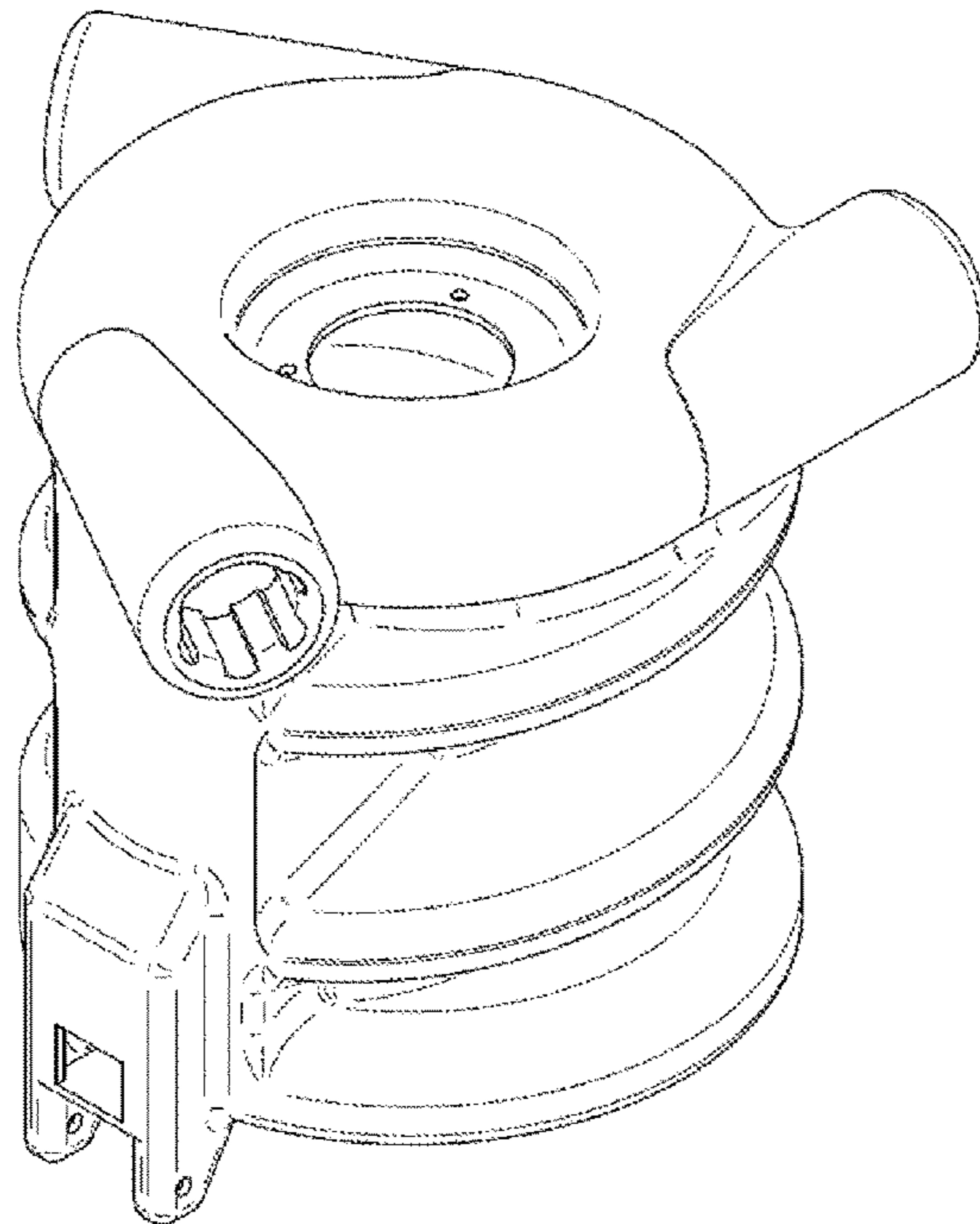


FIG. 20

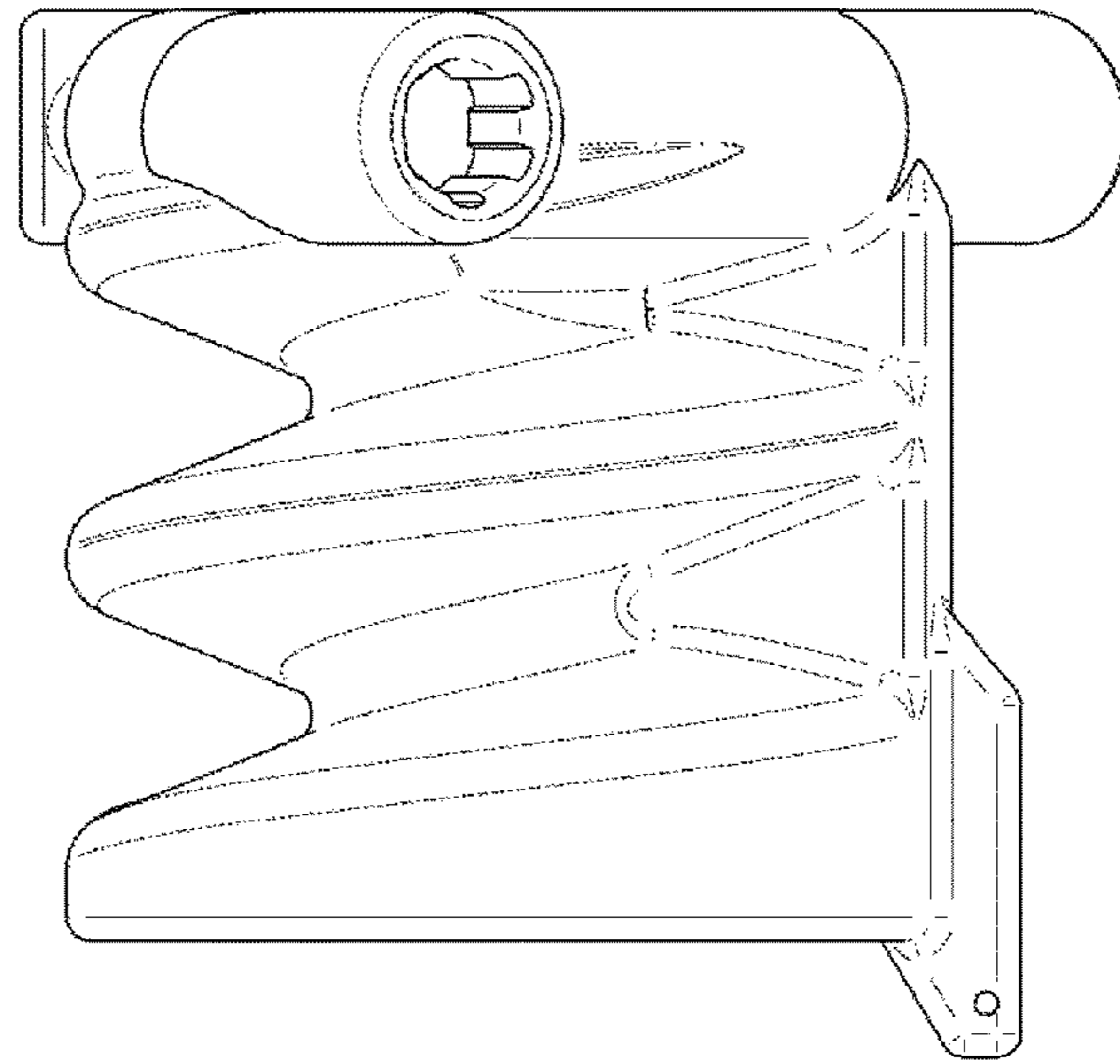


FIG. 21

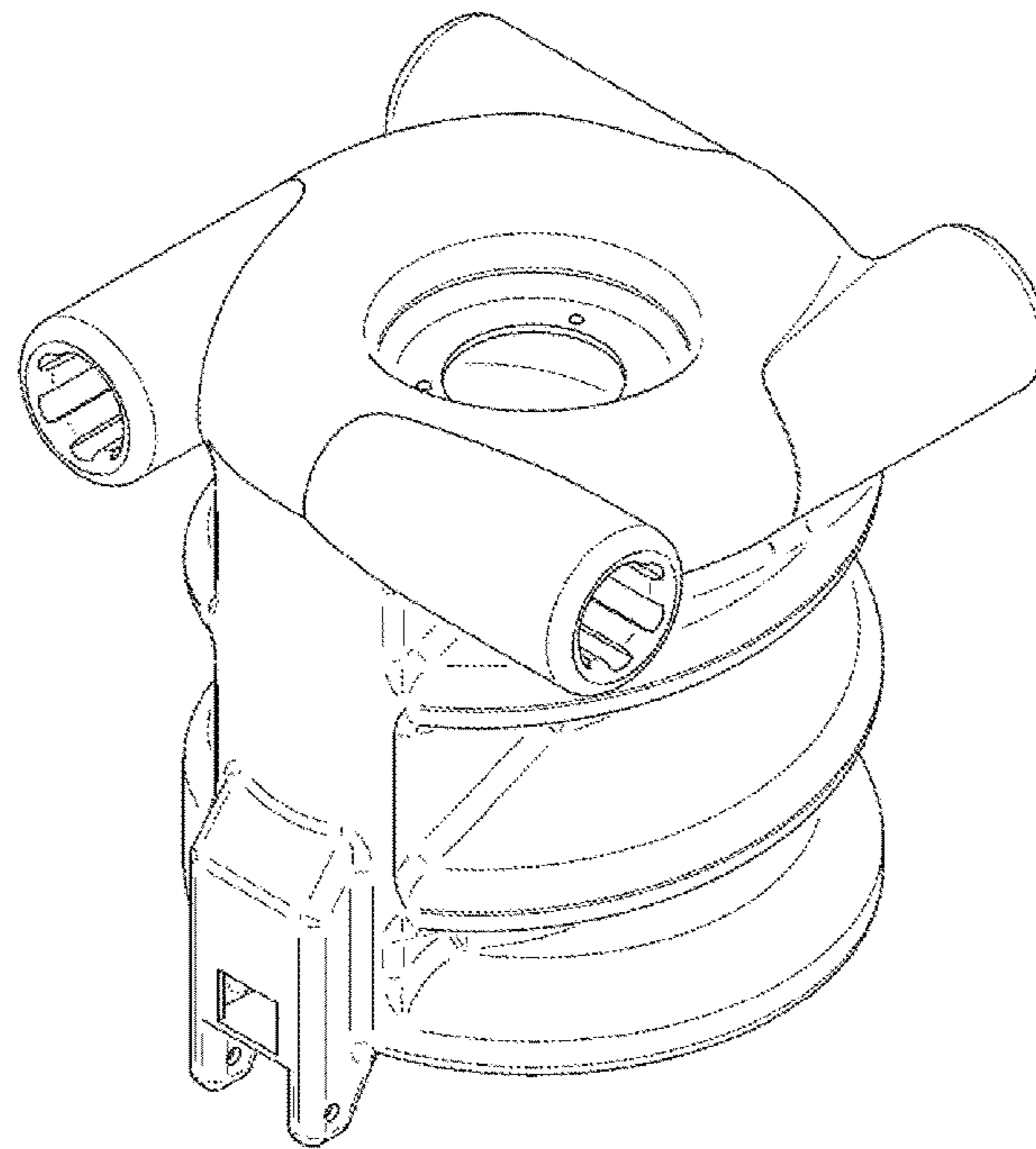


FIG. 22

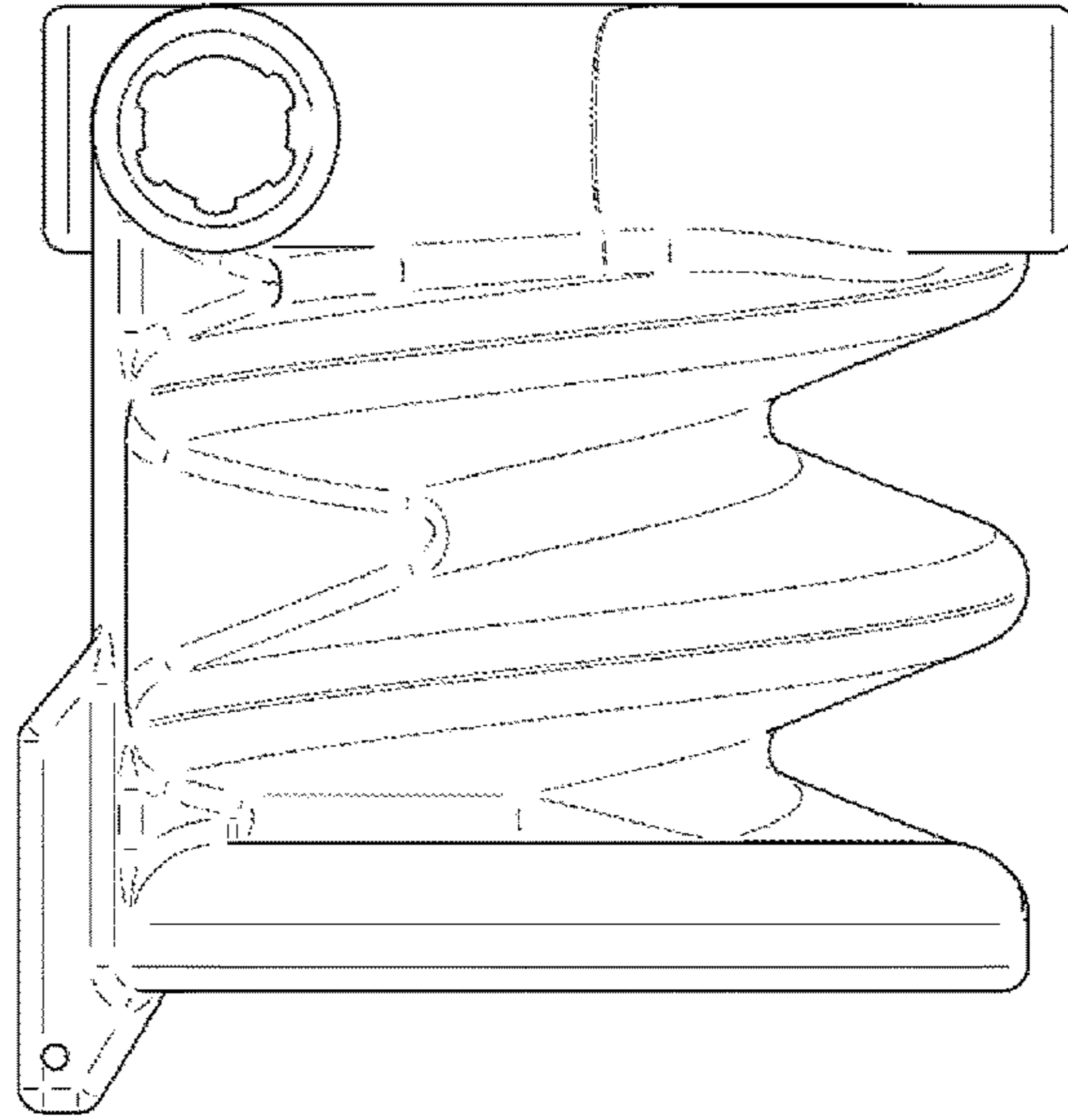


FIG. 23

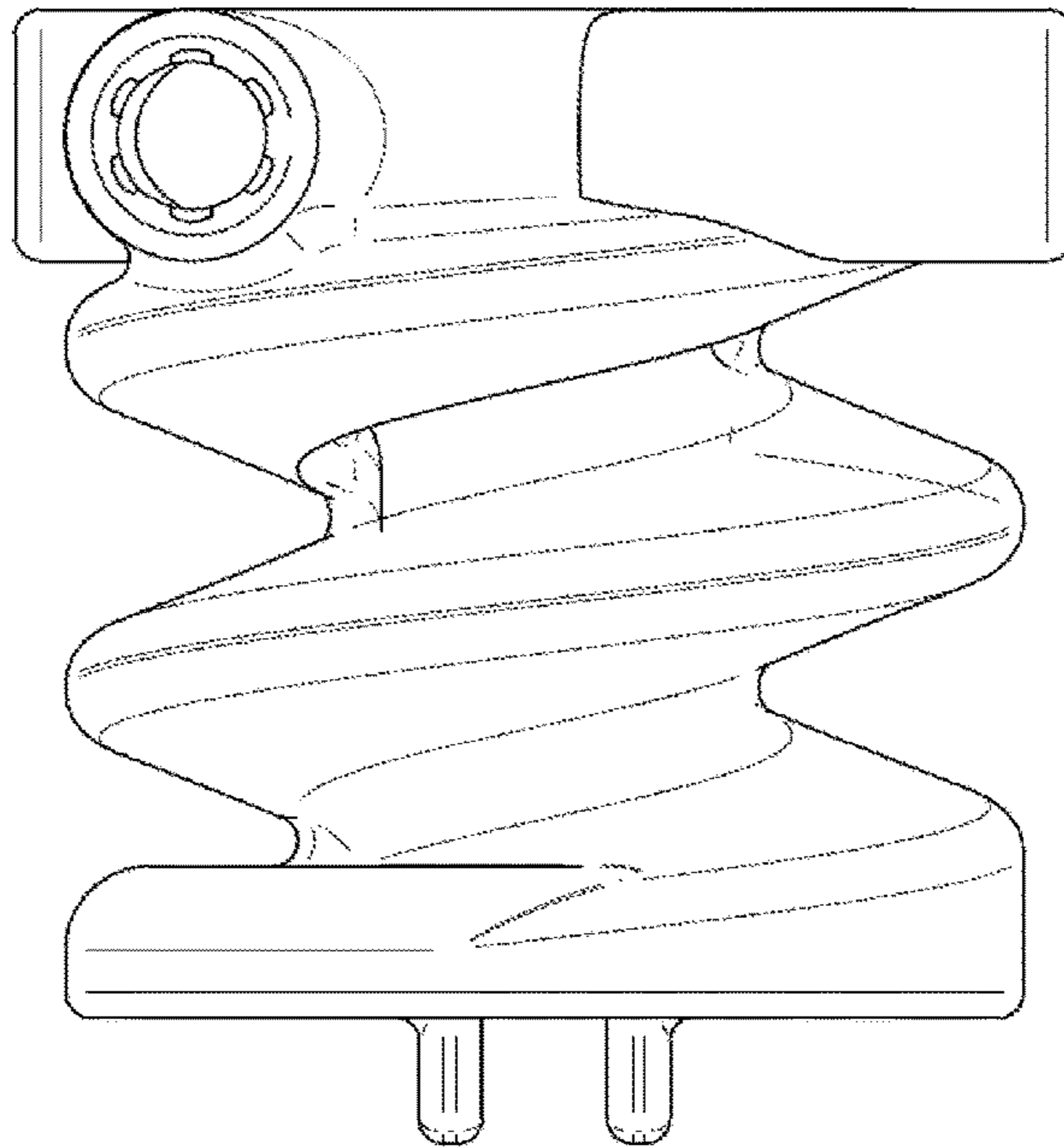


FIG. 24

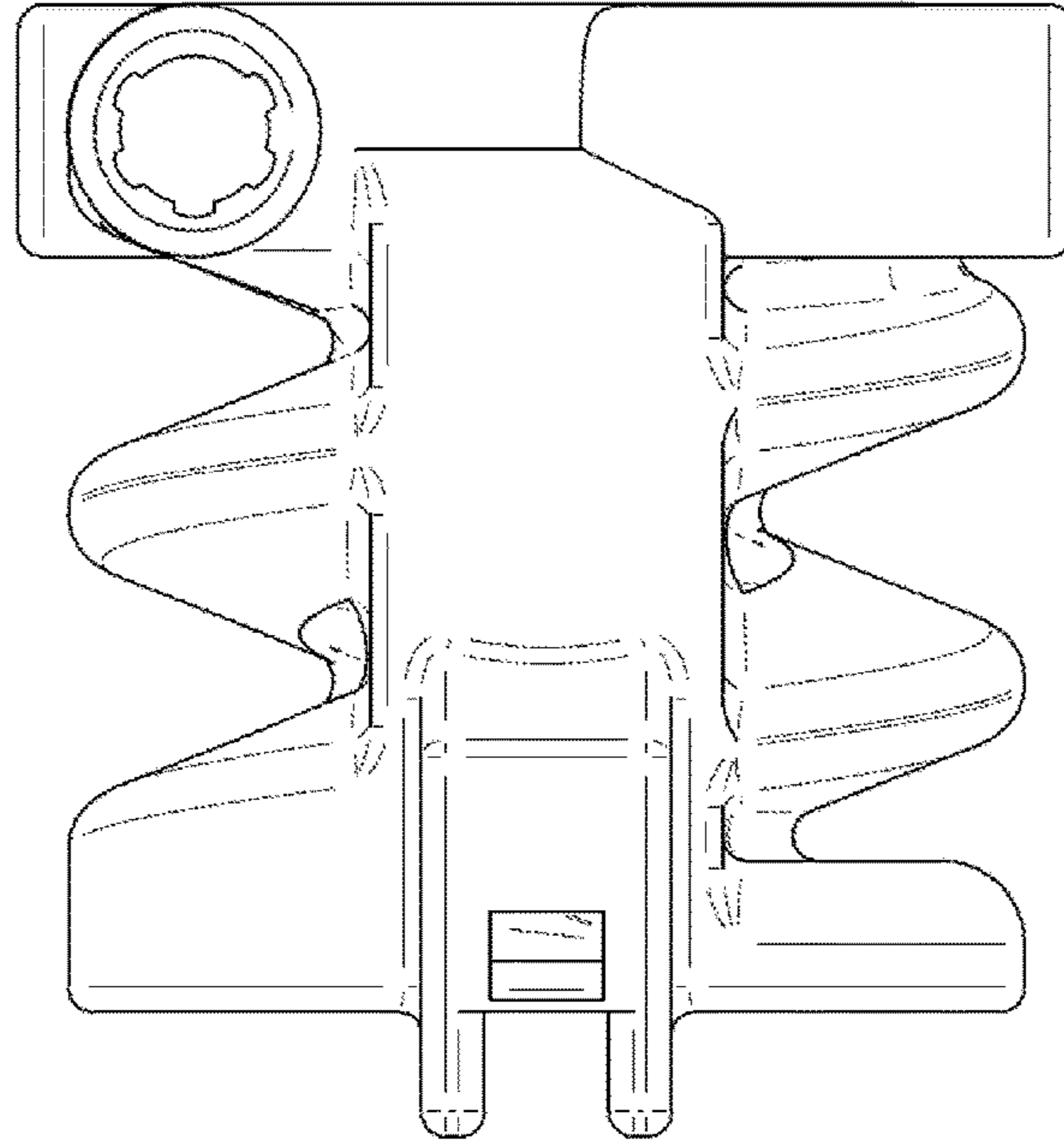


FIG. 25

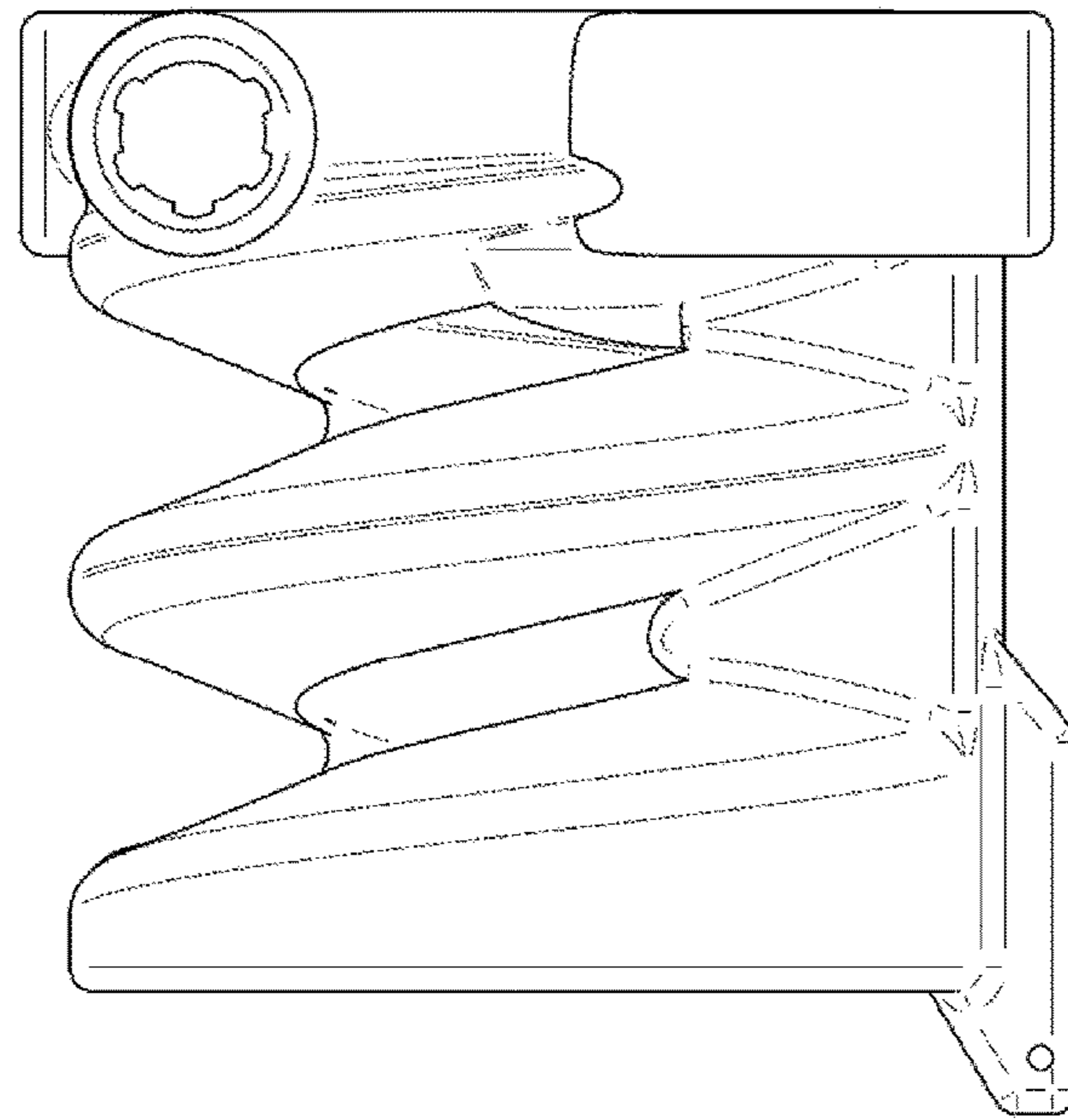


FIG. 26

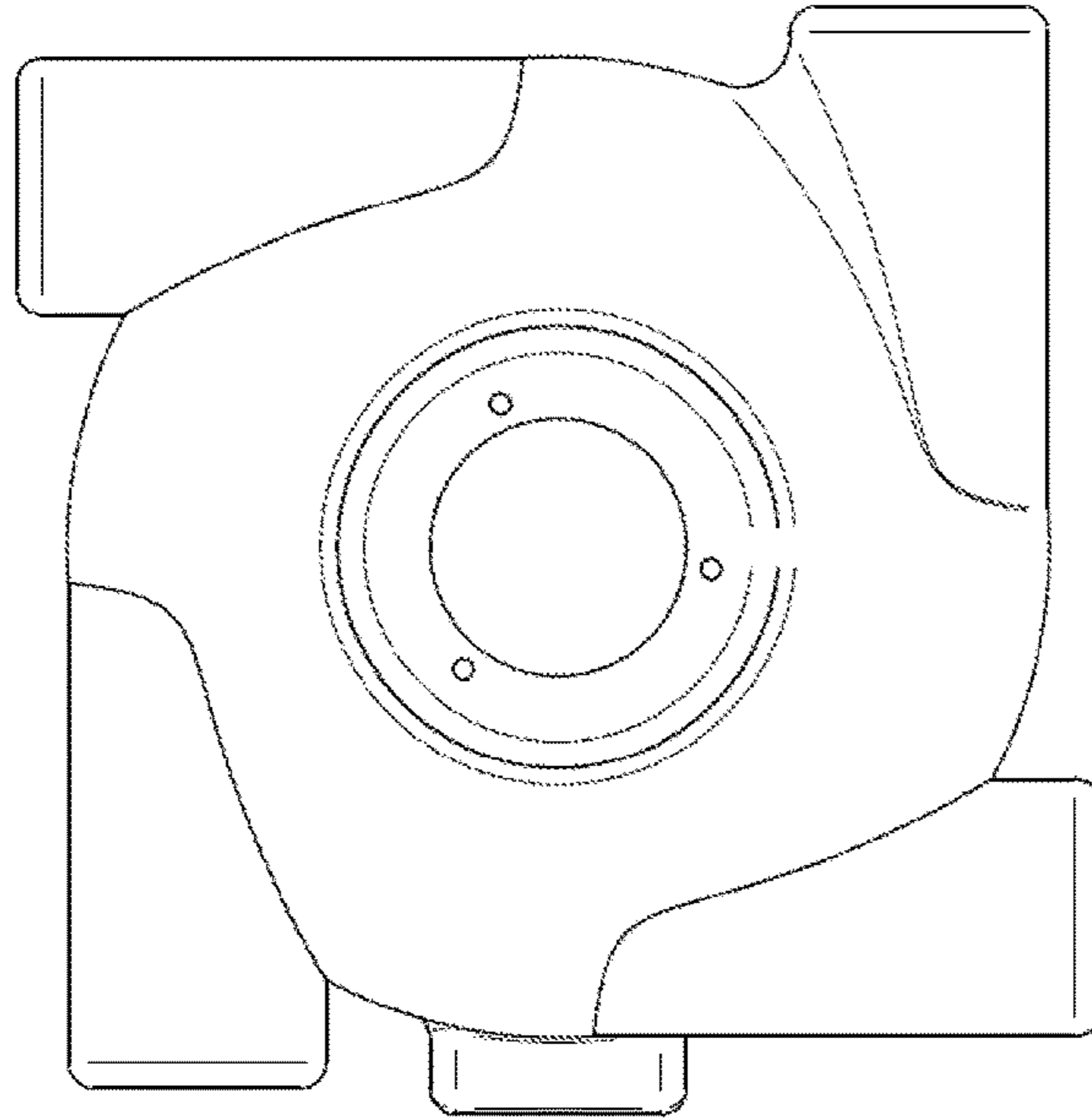


FIG. 27

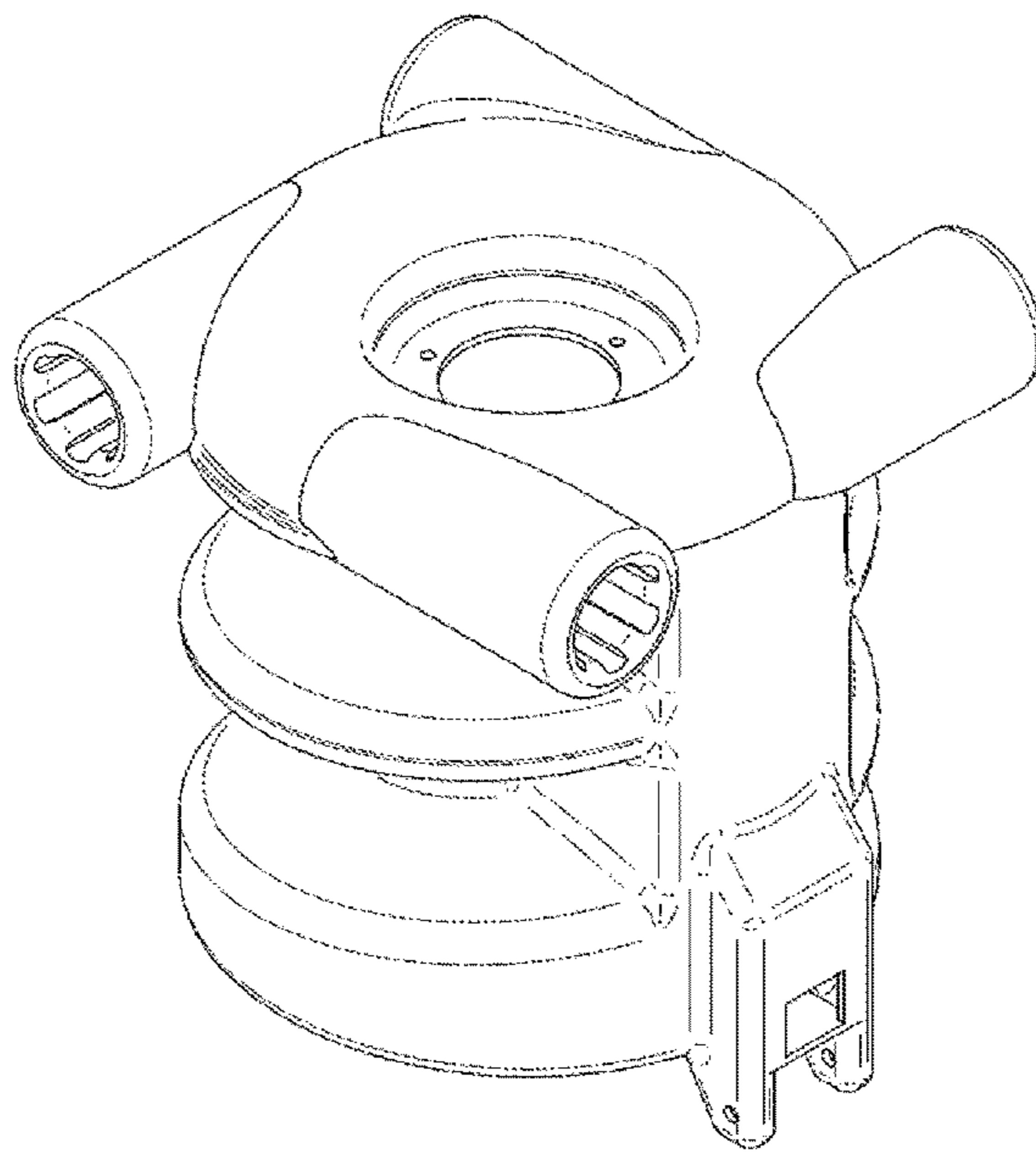


FIG. 28

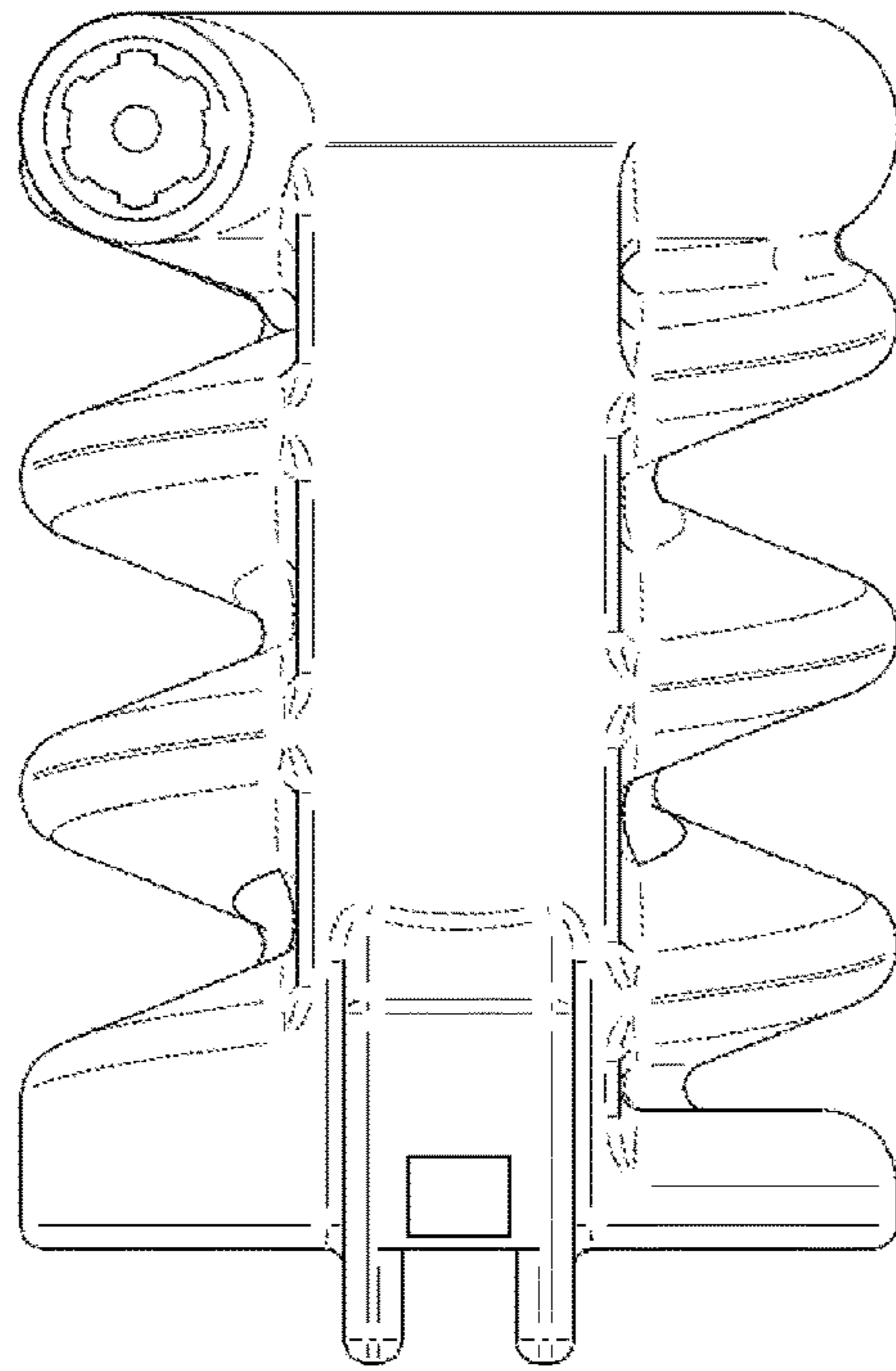


FIG. 29

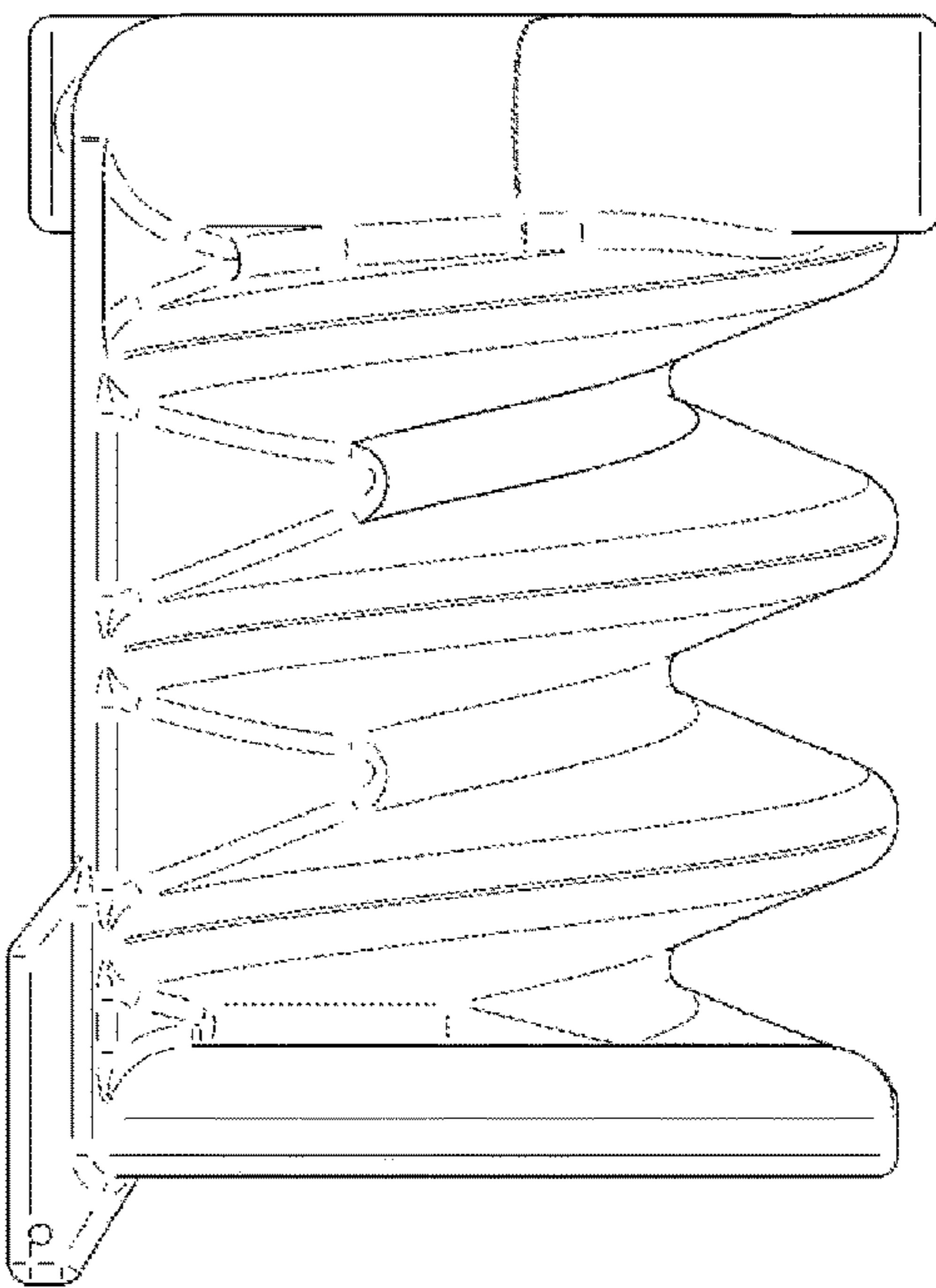


FIG. 30

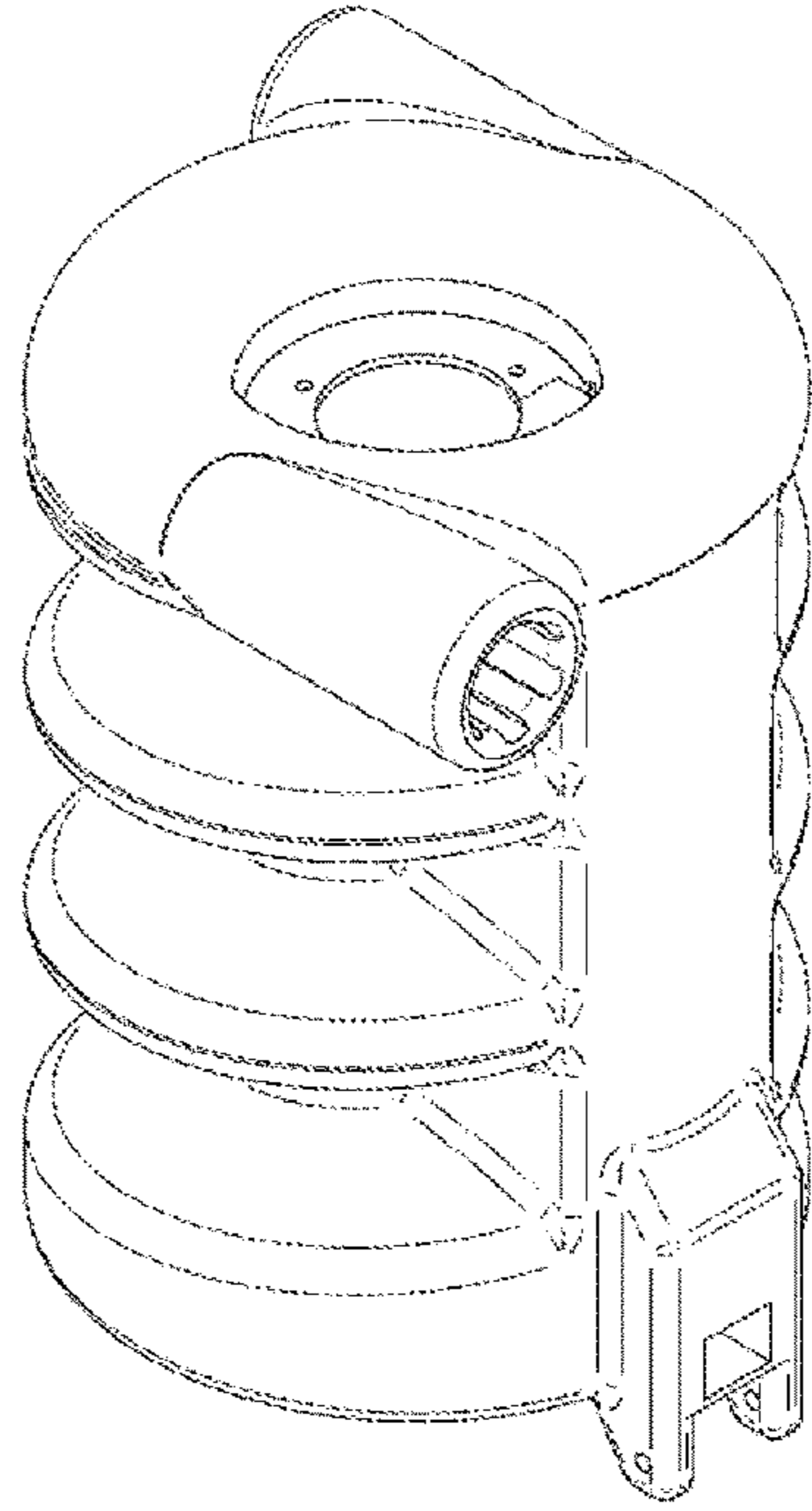


FIG. 31

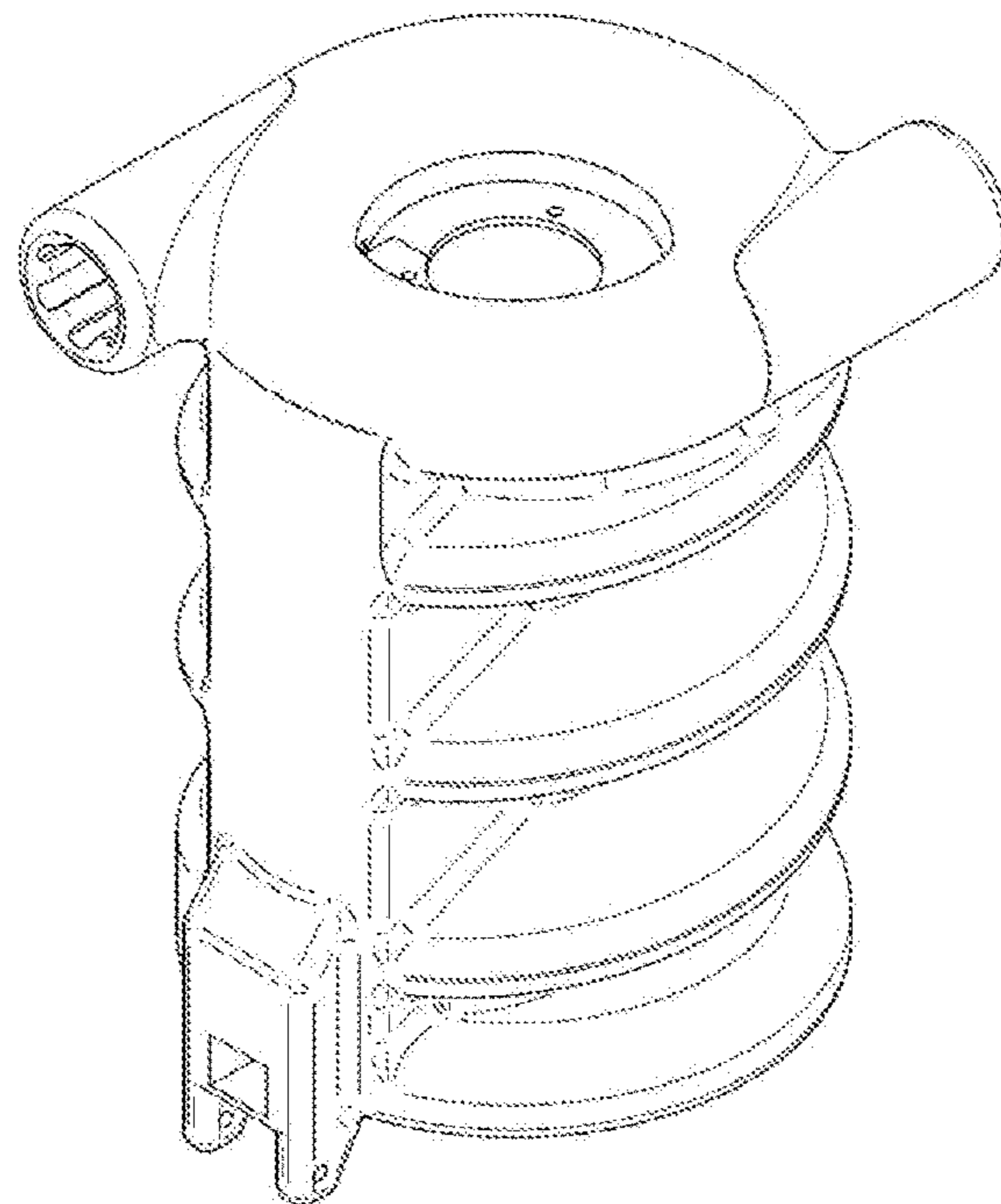


FIG. 32

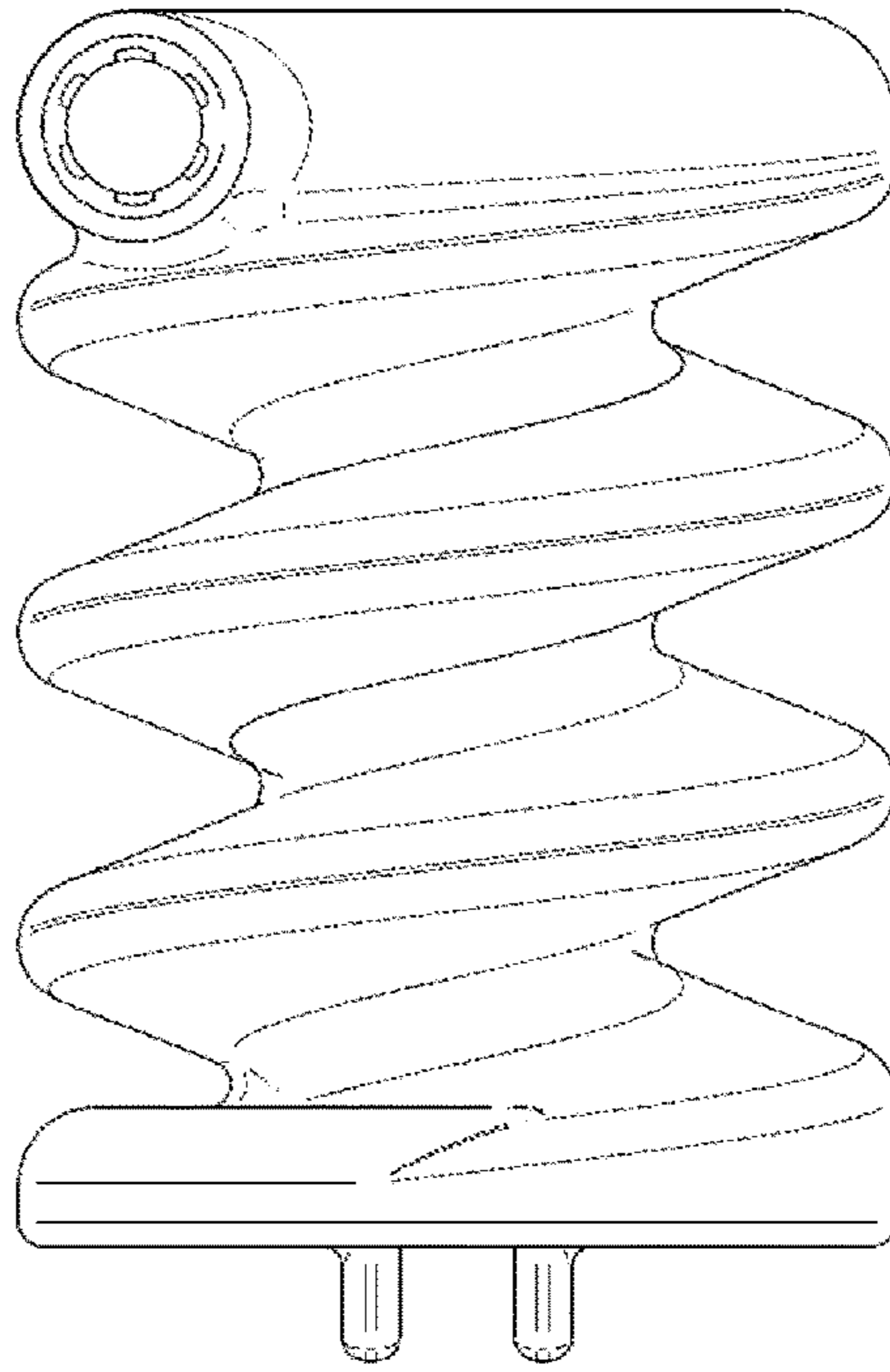


FIG. 33

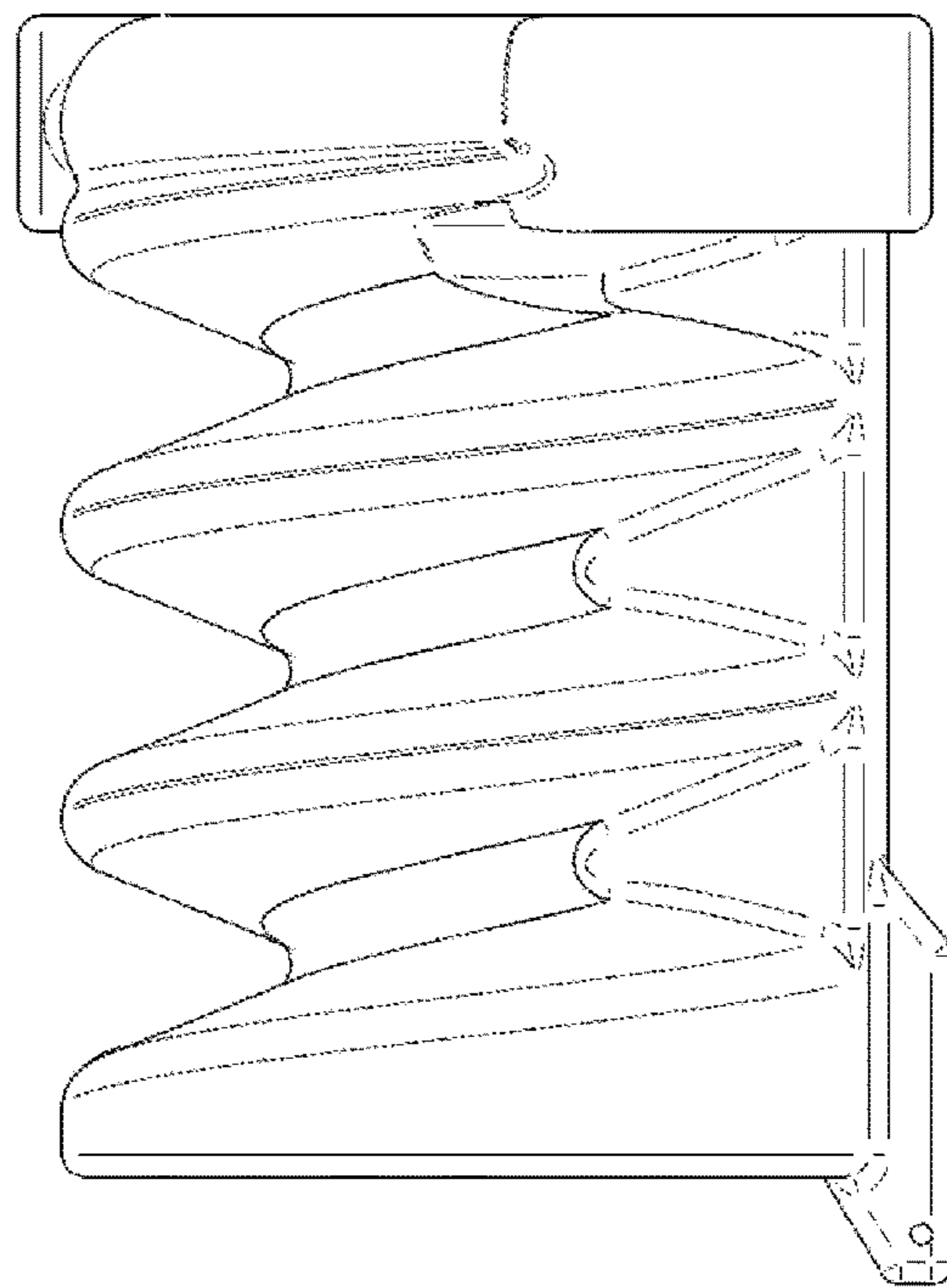


FIG. 34

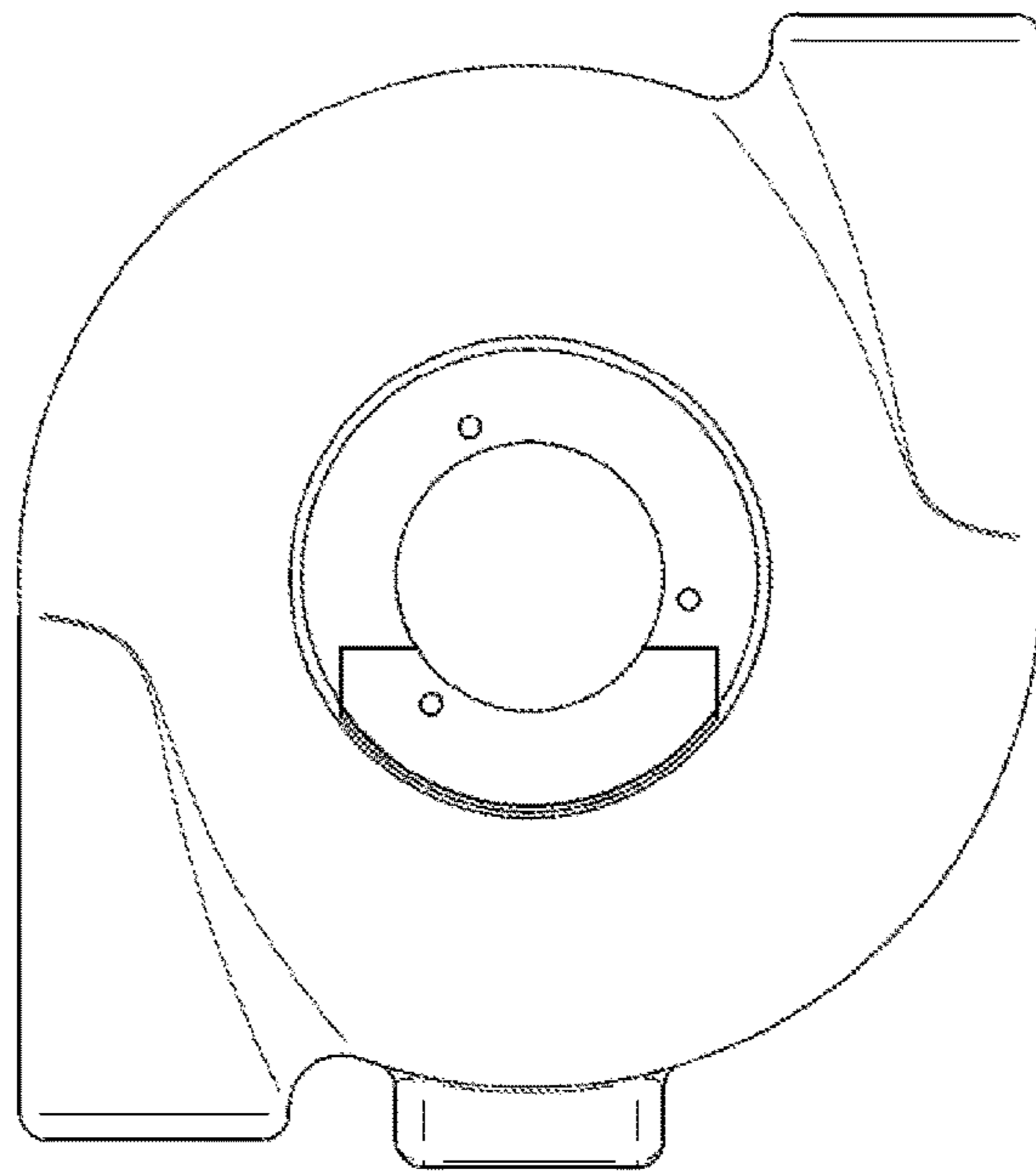


FIG. 35