



US00D821555S

(12) **United States Design Patent**  
Seo et al.

(10) **Patent No.:** **US D821,555 S**  
(45) **Date of Patent:** **\*\* Jun. 26, 2018**

(54) **FAN FOR HUMIDIFIER**  
(71) Applicant: **MIRO CO. LTD.**, Incheon (KR)  
(72) Inventors: **Dong Jin Seo**, Incheon (KR); **Yong Ju Oh**, Incheon (KR); **Min Seok Kim**, Incheon (KR); **Jeong Won Lee**, Incheon (KR)  
(73) Assignee: **MIRO CO. LTD.**, Incheon (KR)

D594,955 S \* 6/2009 Noda ..... D23/370  
D637,706 S \* 5/2011 Kawai ..... D23/370  
D676,541 S \* 2/2013 Fu ..... D23/370  
D696,764 S \* 12/2013 Sato ..... D13/179  
D723,151 S \* 2/2015 Xu ..... D23/370  
D732,655 S \* 6/2015 Ueno ..... D13/179  
D736,368 S \* 8/2015 Xu ..... D23/370  
D755,134 S \* 5/2016 Andre ..... D13/179  
D773,639 S \* 12/2016 Shen ..... D23/379  
D787,037 S \* 5/2017 Allard ..... D23/370  
D799,658 S \* 10/2017 Seo ..... D23/370

(\*\*) Term: **15 Years**

\* cited by examiner

(21) Appl. No.: **29/589,127**

*Primary Examiner* — David G Muller

(22) Filed: **Dec. 28, 2016**

(74) *Attorney, Agent, or Firm* — Novick, Kim & Lee, PLLC; Sang Ho Lee

(30) **Foreign Application Priority Data**

Jun. 29, 2016 (KR) ..... 30-2016-0031651

(51) **LOC (11) Cl.** ..... **23-04**

(52) **U.S. Cl.**  
USPC ..... **D23/358**

(58) **Field of Classification Search**  
USPC ..... D23/355–366, 370, 379, 352, 369, 332, D23/333, 335, 336, 342, 351; 422/120, 422/122; 55/356, 473, 504; 96/97; 261/DIG. 17, DIG. 65, DIG. 88, DIG. 31  
CPC .. A61L 9/16; A61L 9/22; B01D 47/00; B01D 47/027; B01D 2221/02; B01D 2259/4508; B03C 3/155; F24F 13/20; F24F 13/22  
See application file for complete search history.

(56) **References Cited**

**U.S. PATENT DOCUMENTS**

D560,622 S \* 1/2008 Ishihara ..... D13/179  
D561,888 S \* 2/2008 Yang ..... D23/379

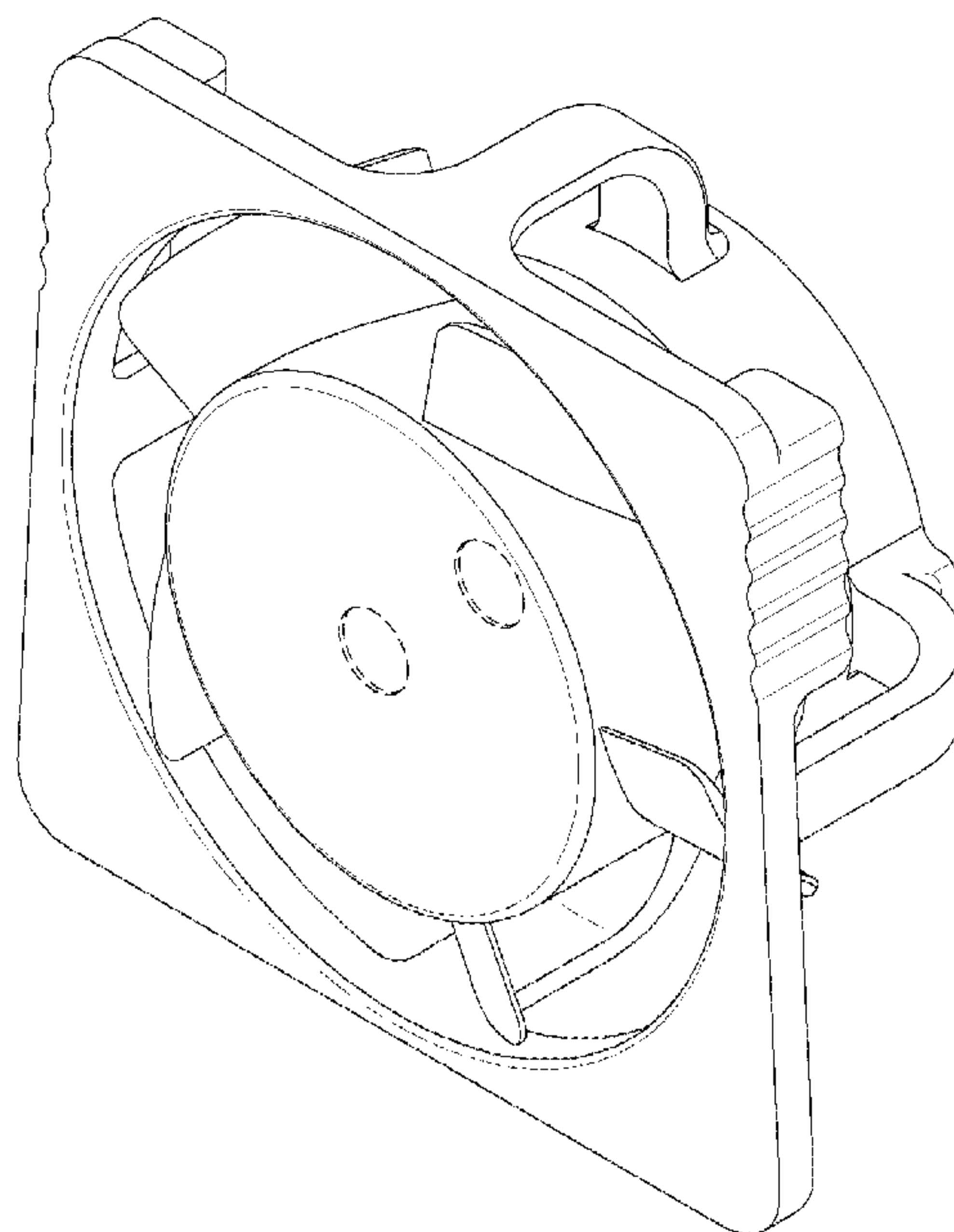
(57) **CLAIM**

We claim the ornamental design for a fan for humidifier, as shown and described.

**DESCRIPTION**

FIG. 1 is a front perspective view of a fan for humidifier according to our new design;  
FIG. 2 is a rear perspective view thereof;  
FIG. 3 is a front elevational view thereof;  
FIG. 4 is a rear elevational view thereof;  
FIG. 5 is a left side elevational view thereof;  
FIG. 6 is a right side elevational view thereof;  
FIG. 7 is a top plan view thereof; and,  
FIG. 8 is a bottom plan view thereof.  
The broken lines shown in the drawings show portions of the fan for humidifier which form no part of the claimed design.

**1 Claim, 7 Drawing Sheets**



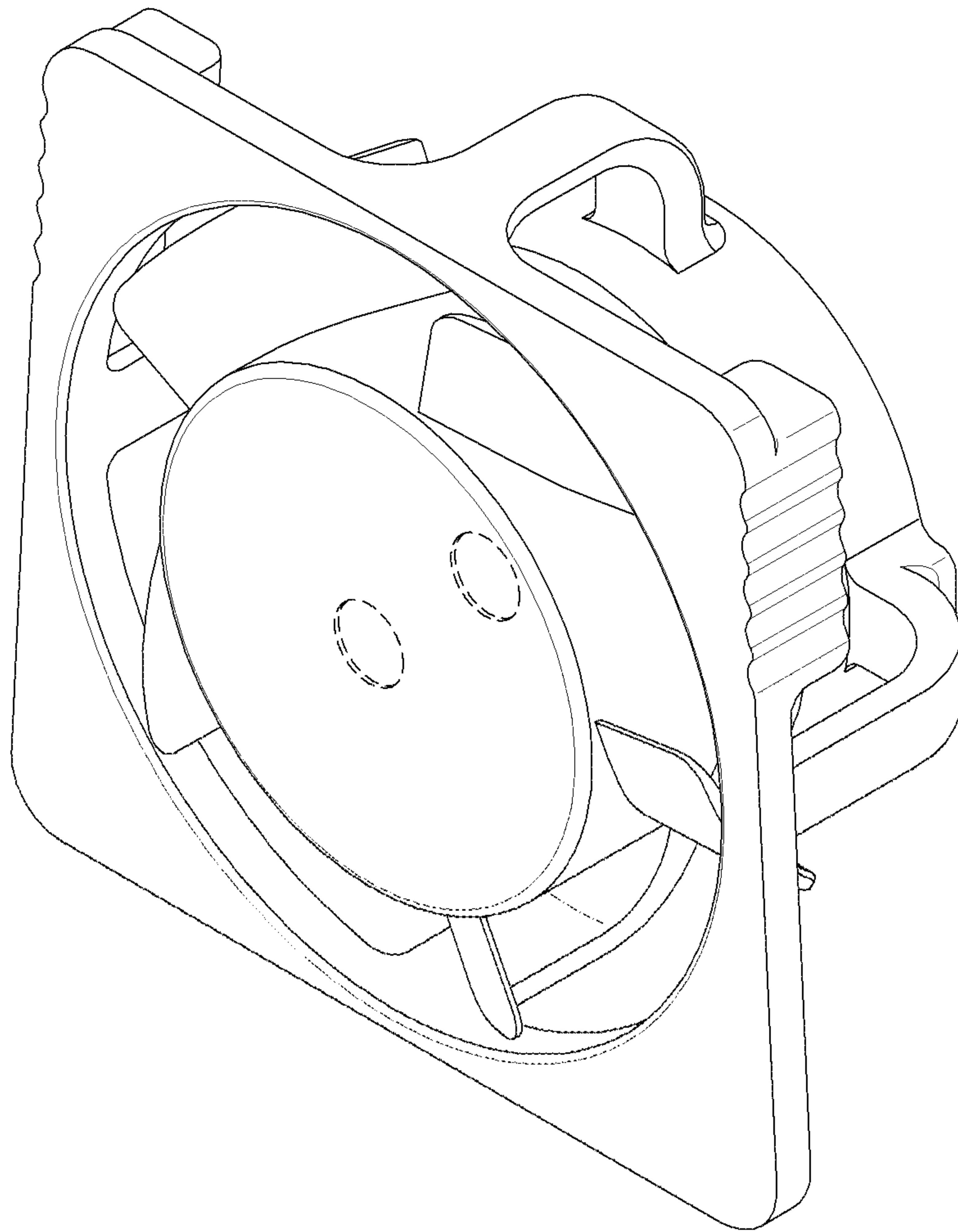


FIG. 1

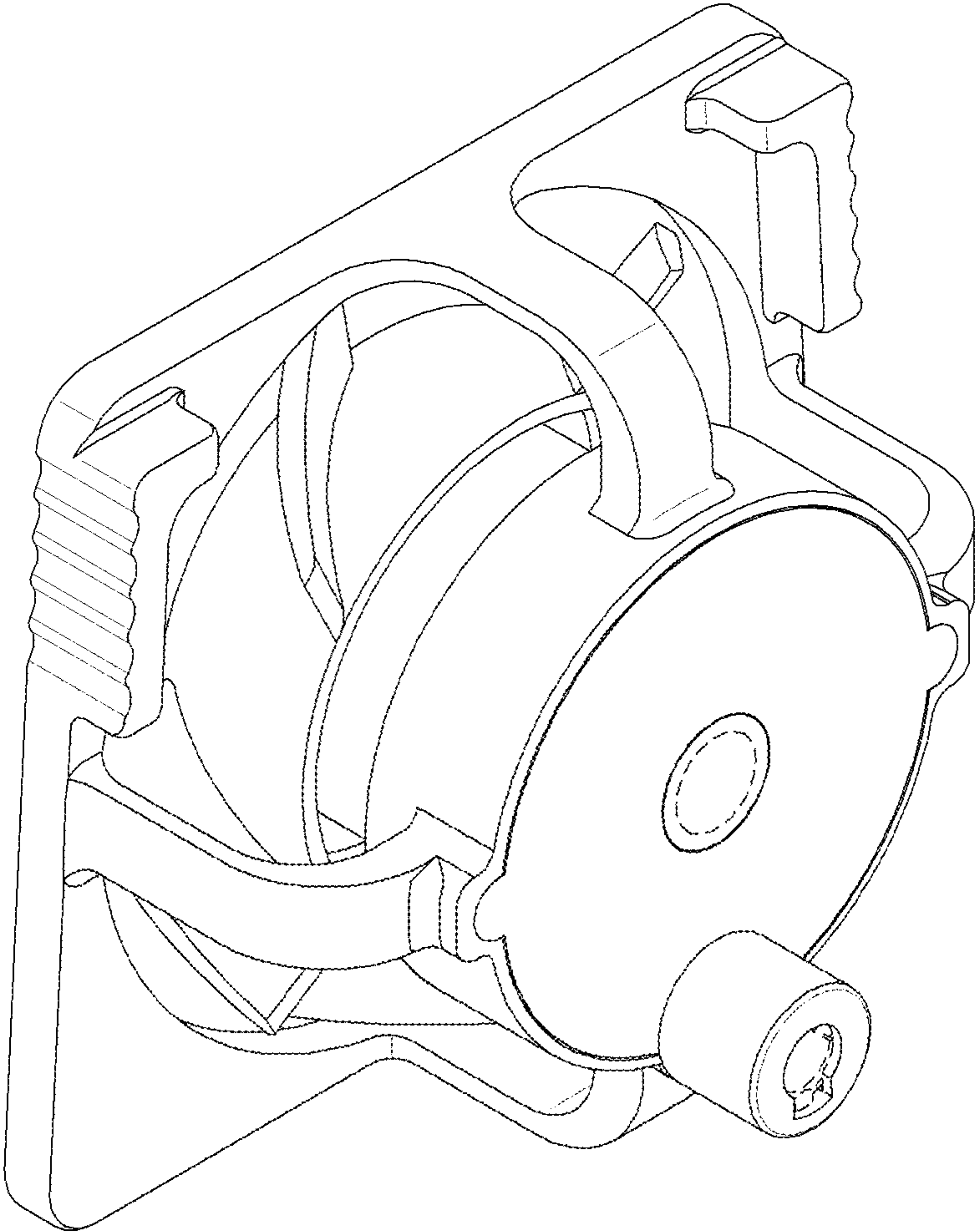


FIG. 2

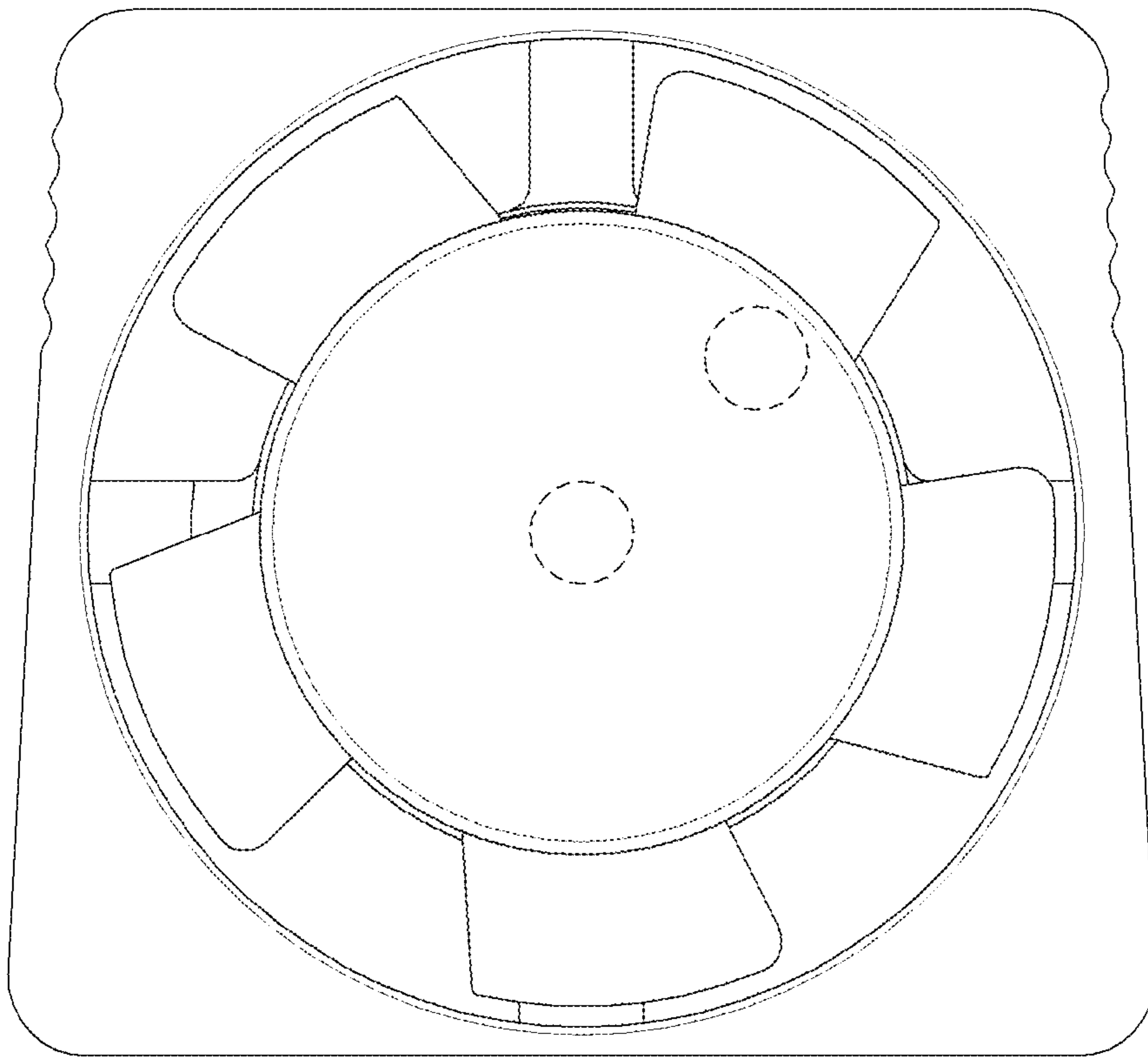


FIG. 3

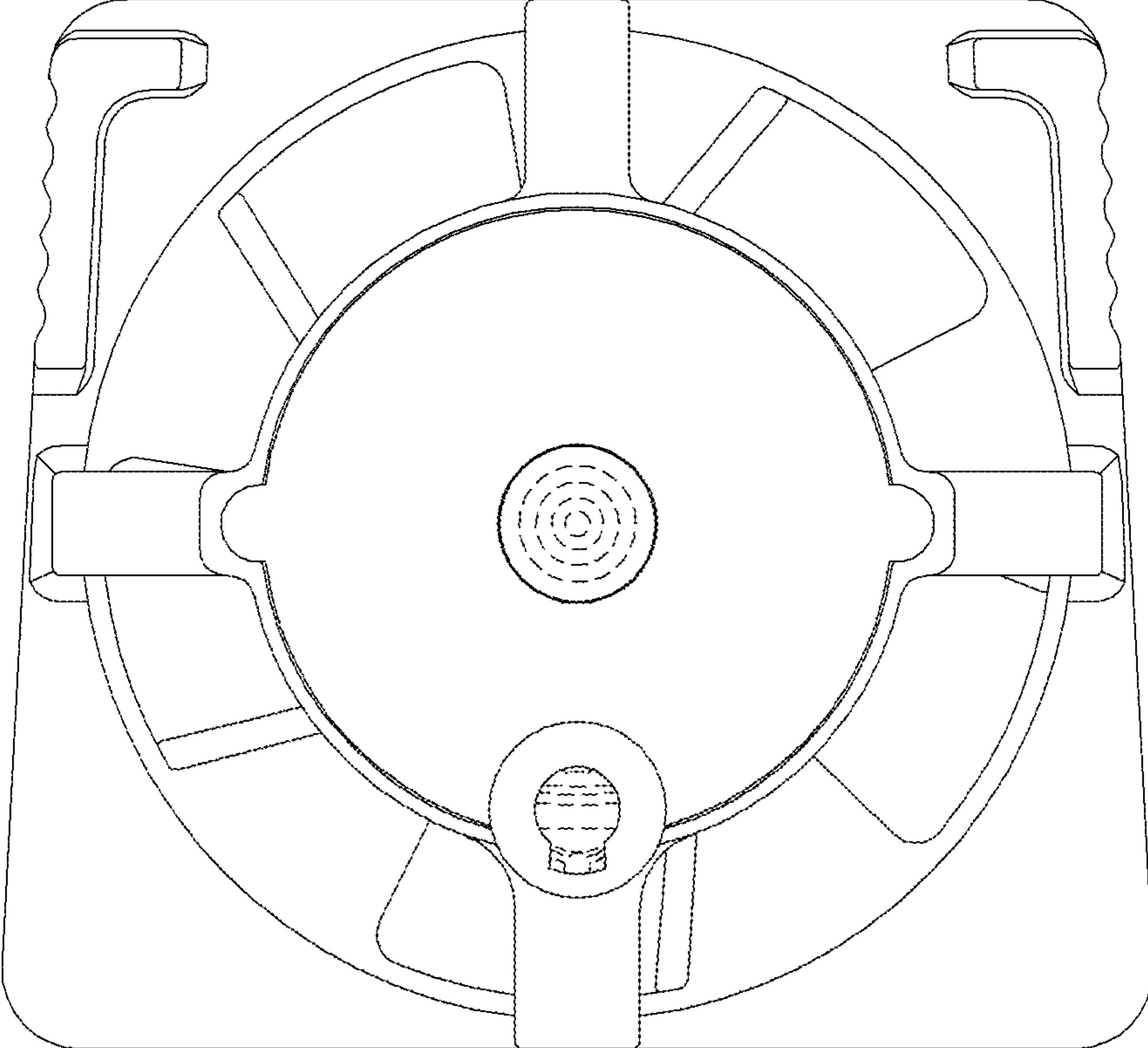
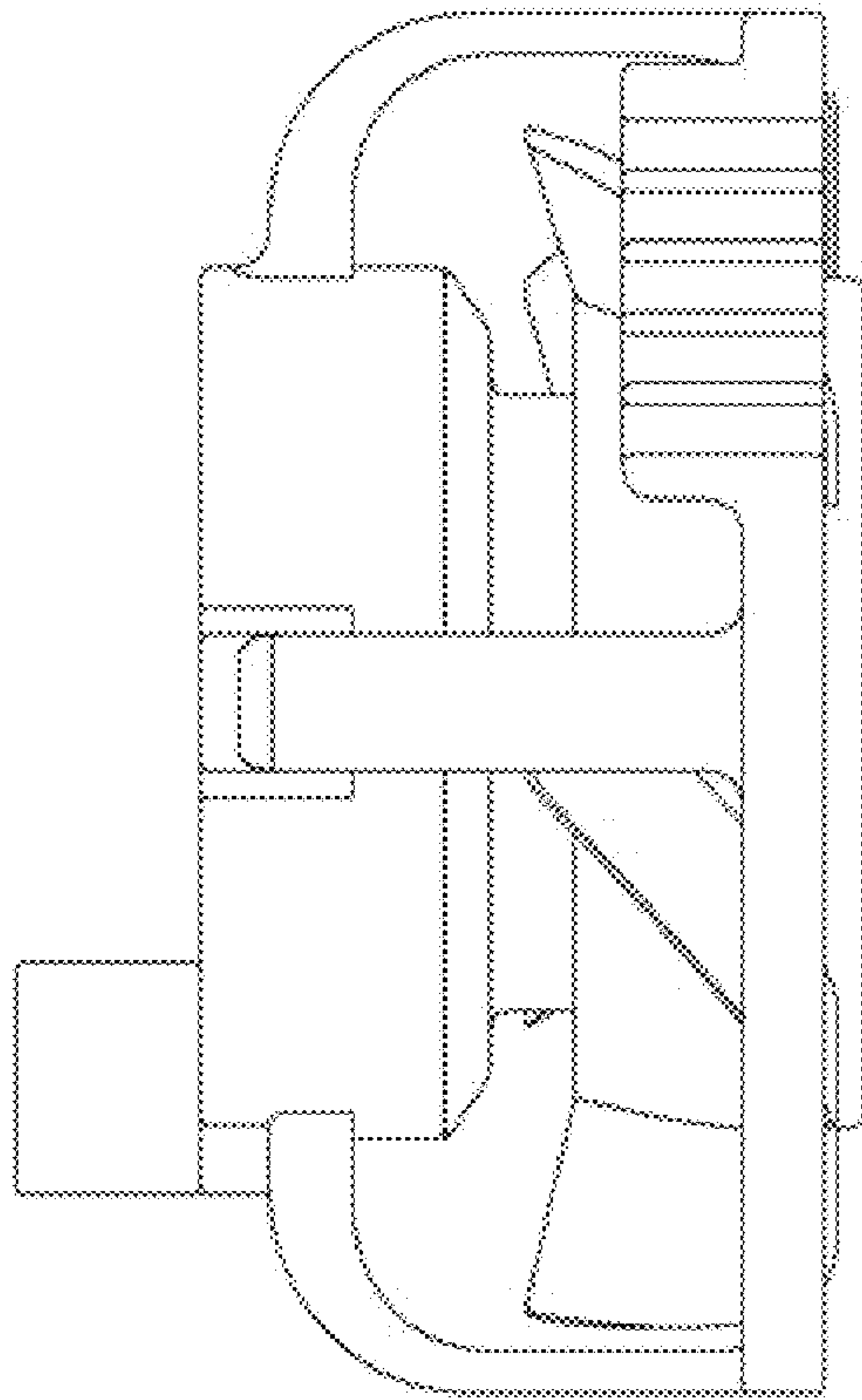


FIG. 4





**FIG. 5**

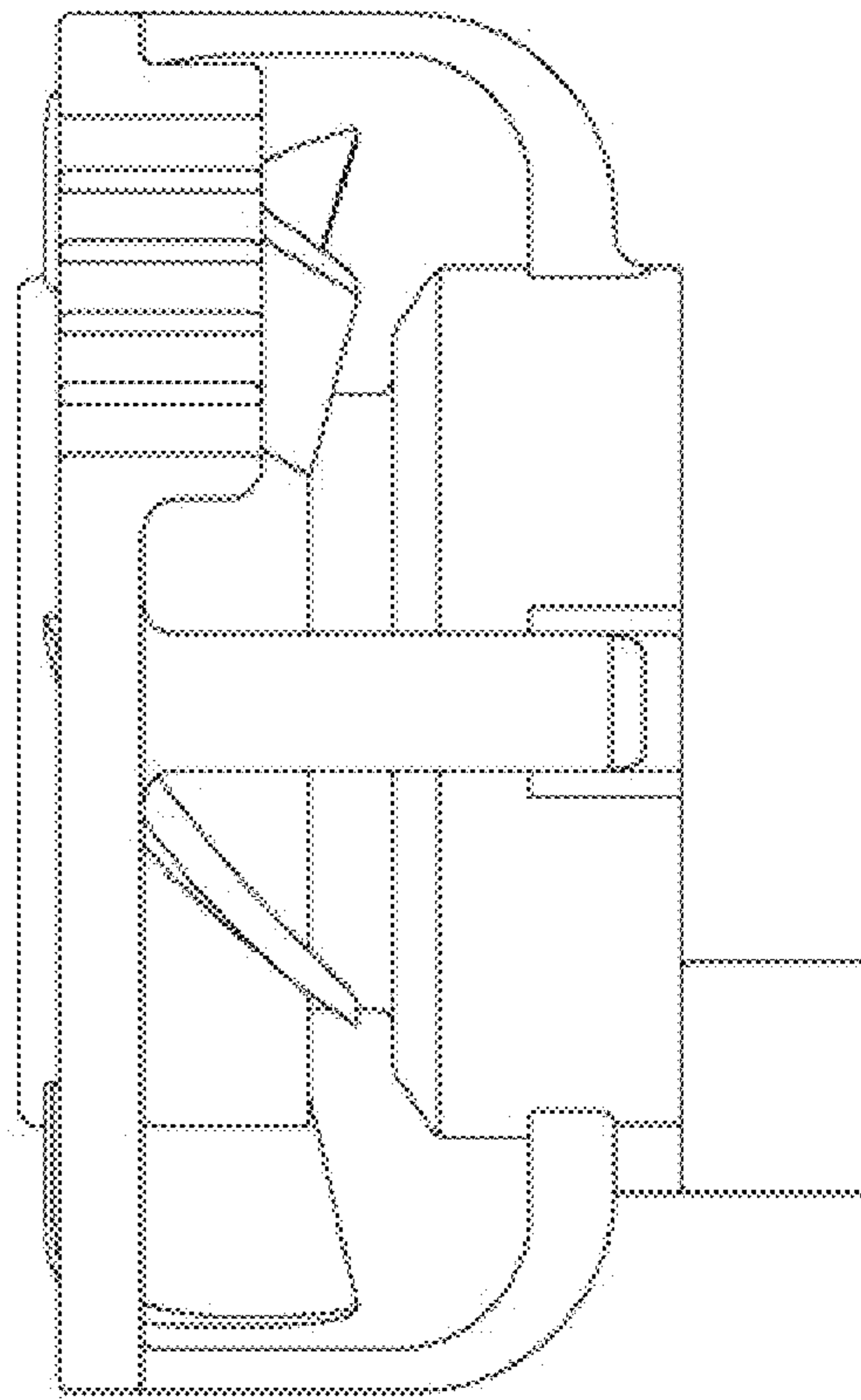
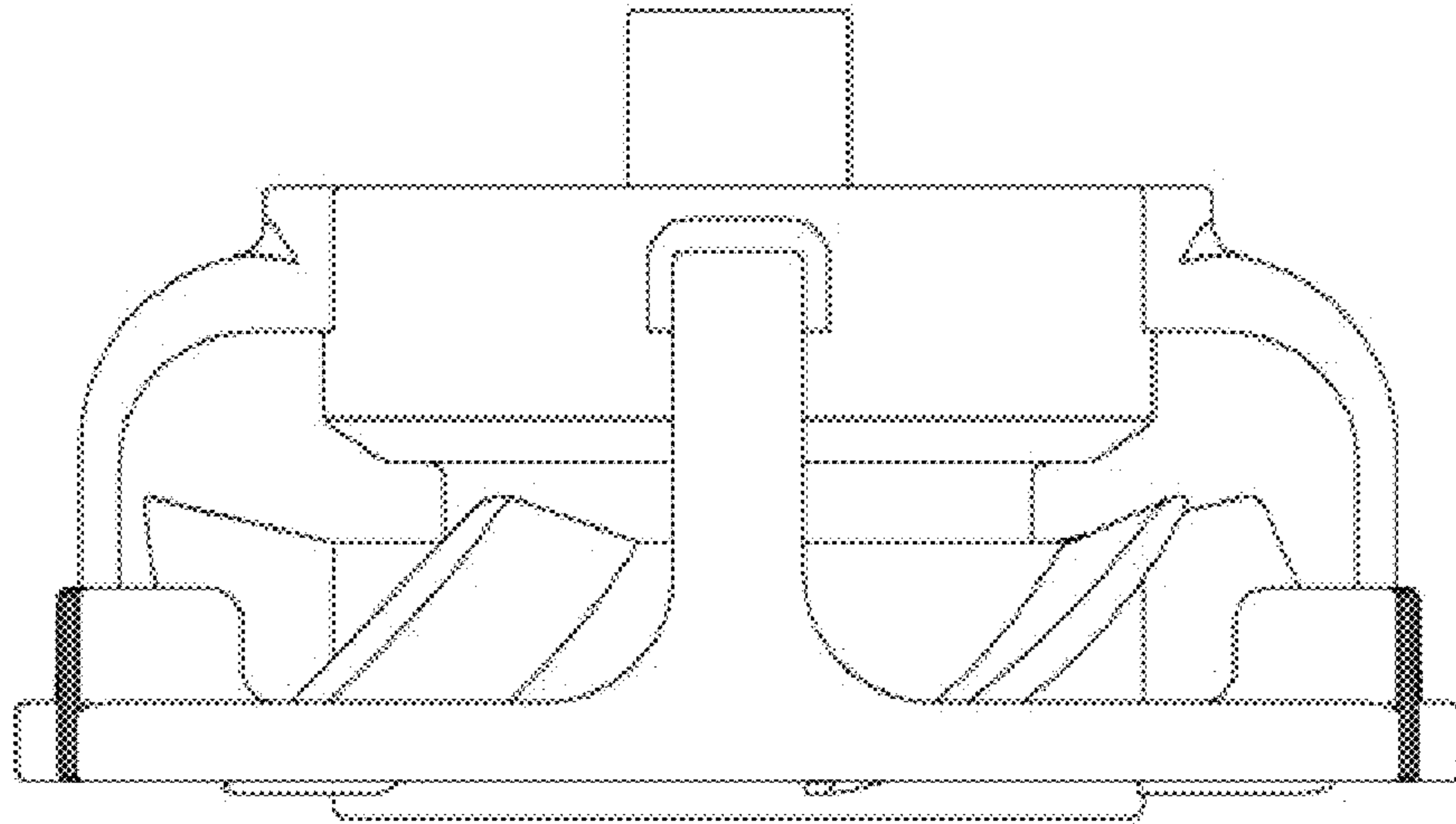
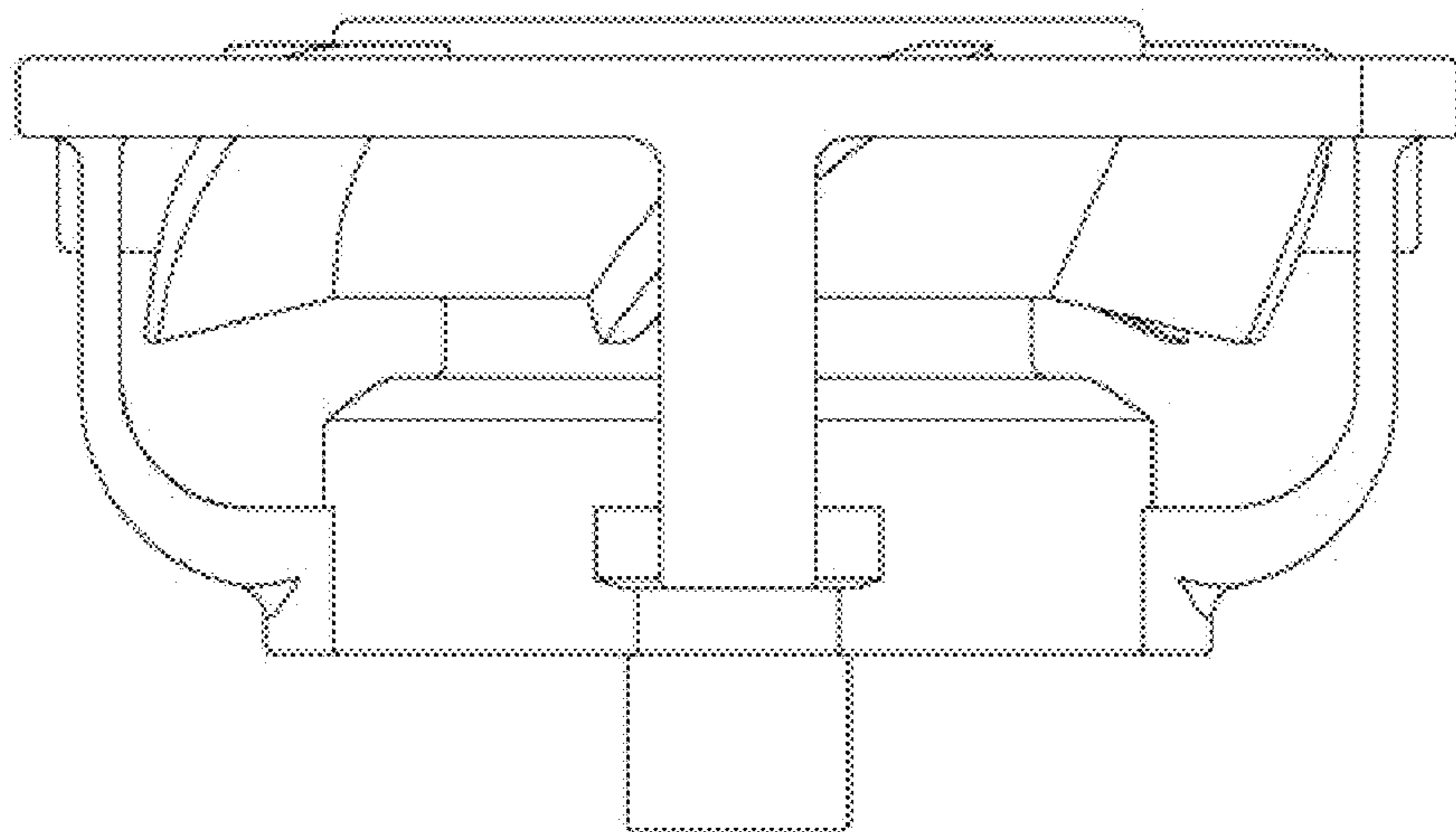


FIG. 6



**FIG. 7**



**FIG. 8**