



US00D821549S

(12) **United States Design Patent**
Näslund et al.

(10) **Patent No.:** **US D821,549 S**
(45) **Date of Patent:** **** Jun. 26, 2018**

(54) **CLAMP NUT**

(71) Applicant: **HUSQVARNA AB**, Huskvarna (SE)

(72) Inventors: **Jens Näslund**, Spånga (SE); **Daniel Gunnarsson**, Danderyd (SE); **Gustav Landberg**, Trosa (SE); **Tor Sigurdson**, Stockholm (SE)

(73) Assignee: **HUSQVARNA AB**, Huskvarna (SE)

(**) Term: **15 Years**

(21) Appl. No.: **29/579,336**

(22) Filed: **Sep. 29, 2016**

(30) **Foreign Application Priority Data**

Mar. 31, 2016 (EM) 003049931-0032

(51) **LOC (11) Cl.** **23-01**

(52) **U.S. Cl.**
USPC **D23/262**

(58) **Field of Classification Search**

USPC D23/259, 260, 262-266, 213, 223, 226,
D23/232-237; D24/129; D8/382, 396;
251/149.6-149.9, 149.1, 149, 309-310,
251/315.1, 315.14, 315.15, 356; 285/245,
285/246, 249, 322, 248, 251, 253;
137/614, 614.02-614.06, 798, 801

CPC F16L 37/0841; F16L 37/35; F16L 37/34;
F16L 37/142; F16L 37/413; F16L 37/30;
F16L 37/44; F16L 37/36; F16L 45/00;
F16L 5/00; F16L 55/105; F16L 55/1007;
F16L 33/227; F16L 33/22; F16L 37/252;
F16L 25/0014; F16L 29/007; F16L 31/00;
E03C 1/122; E03C 1/0404; E03B 7/09

See application file for complete search history.

(56) **References Cited**

U.S. PATENT DOCUMENTS

D299,267 S * 1/1989 Roman D23/262
D320,842 S * 10/1991 Roman D23/262

D575,377 S * 8/2008 Roman D23/259
D632,764 S * 2/2011 Cheng D23/262
D642,244 S * 7/2011 Wilhelm D23/262
D687,528 S * 8/2013 Meyer D23/262
D707,334 S * 6/2014 Hernandez D23/266
D725,749 S * 3/2015 Mezzalana D23/259
D748,762 S * 2/2016 Näslund
D749,697 S * 2/2016 Wojan D23/223
2007/0096464 A1 * 5/2007 Spadotto A01G 25/02
285/322

FOREIGN PATENT DOCUMENTS

JP 1515591 S 1/2015

* cited by examiner

Primary Examiner — Eric L Goodman

Assistant Examiner — Amy C Wierenga

(74) *Attorney, Agent, or Firm* — McNair Law Firm, P.A.

(57) **CLAIM**

The ornamental design for a clamp nut, as shown and described.

DESCRIPTION

FIG. 1 is a perspective view of a clamp nut in accordance with the present invention;

FIG. 2 is a front view of the clamp nut of FIG. 1;

FIG. 3 is a rear view of the clamp nut of FIG. 1;

FIG. 4 is a right side view of the clamp nut of FIG. 1;

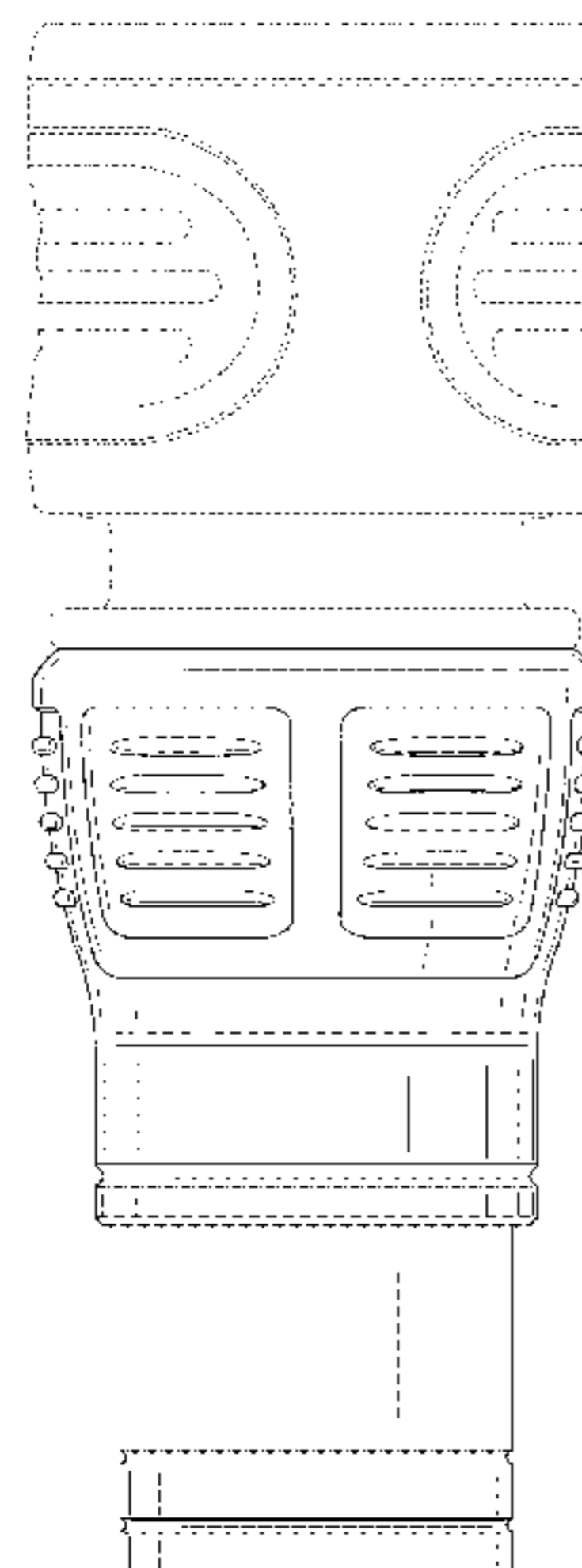
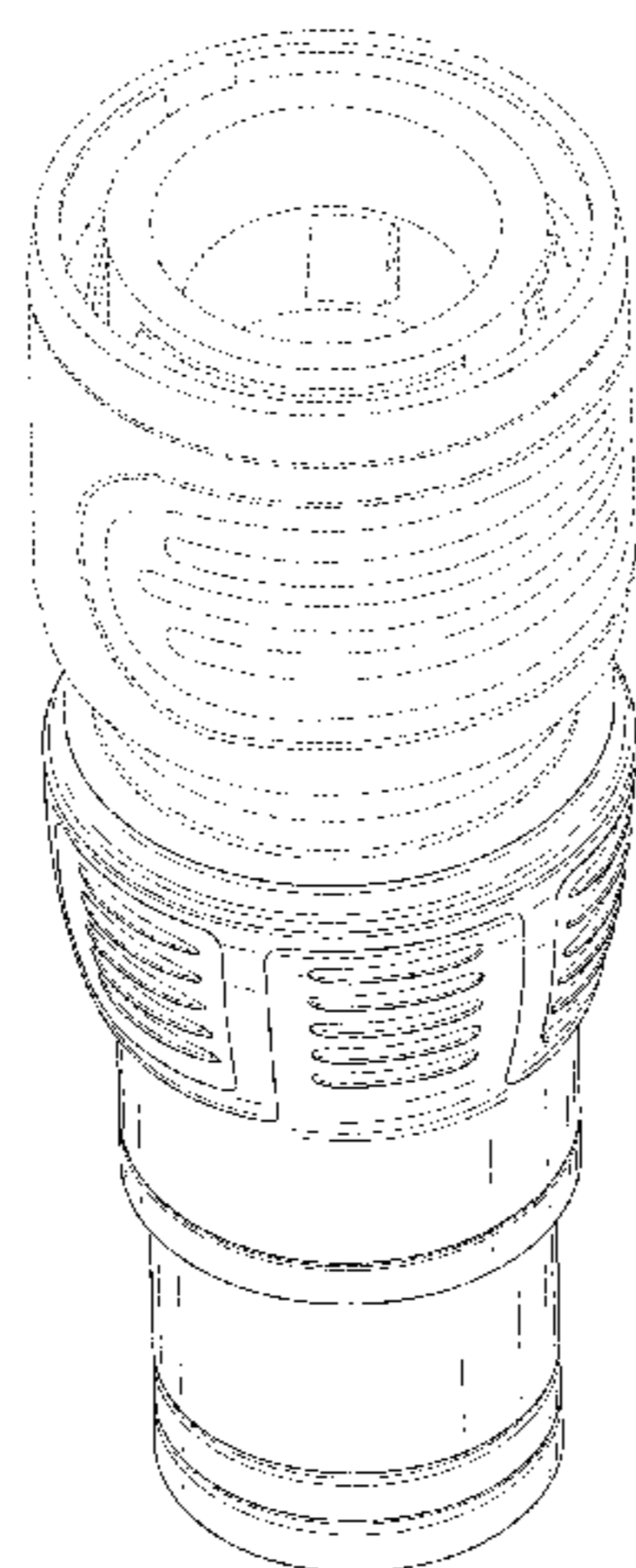
FIG. 5 is a left side view of the clamp nut of FIG. 1;

FIG. 6 is a top view of the clamp nut of FIG. 1; and,

FIG. 7 is a bottom view of the clamp nut of FIG. 1.

The broken lines of FIGS. 1-7 are illustrative of the visible environmental structure of the clamp nut and form no part of the claimed design.

1 Claim, 7 Drawing Sheets



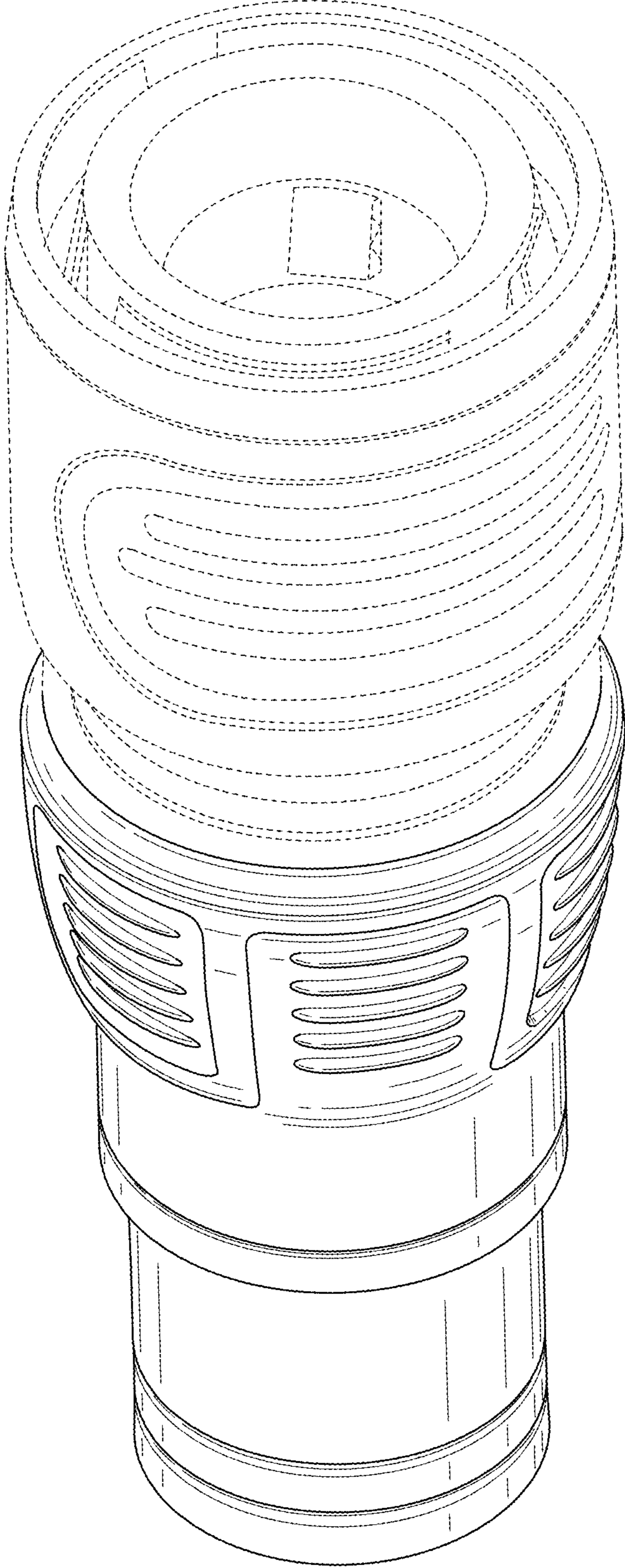


FIG. 1

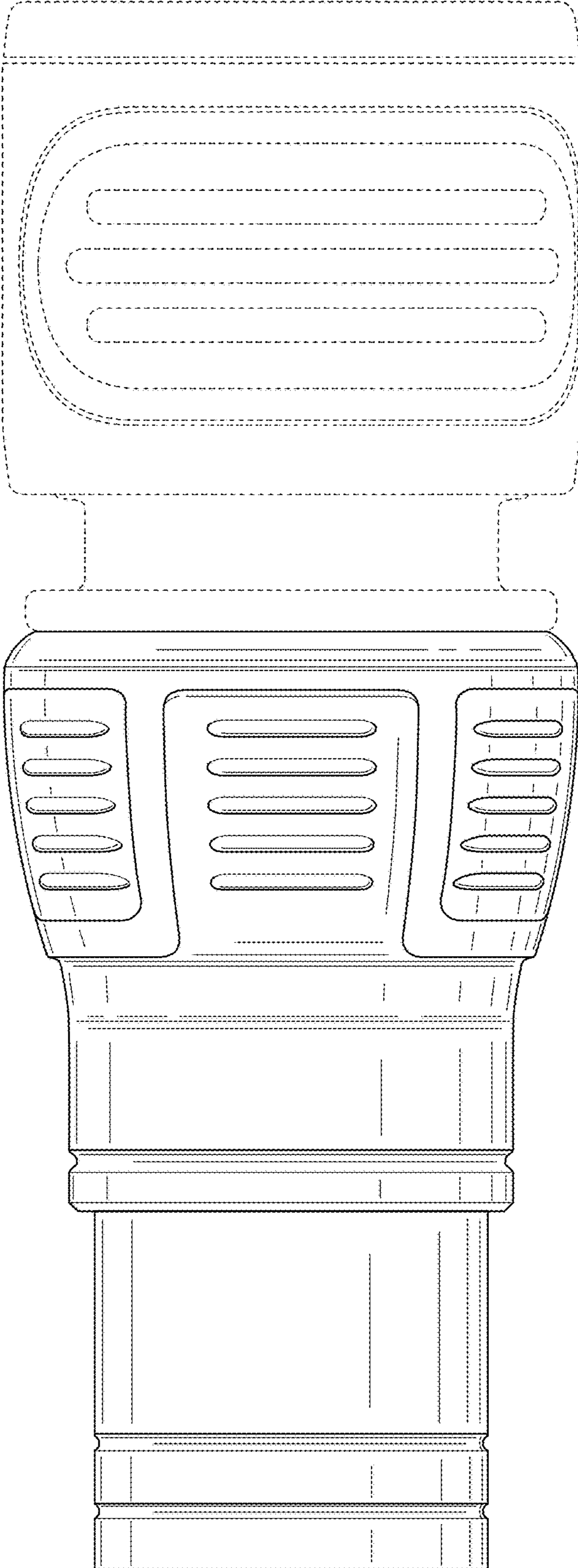


FIG. 2

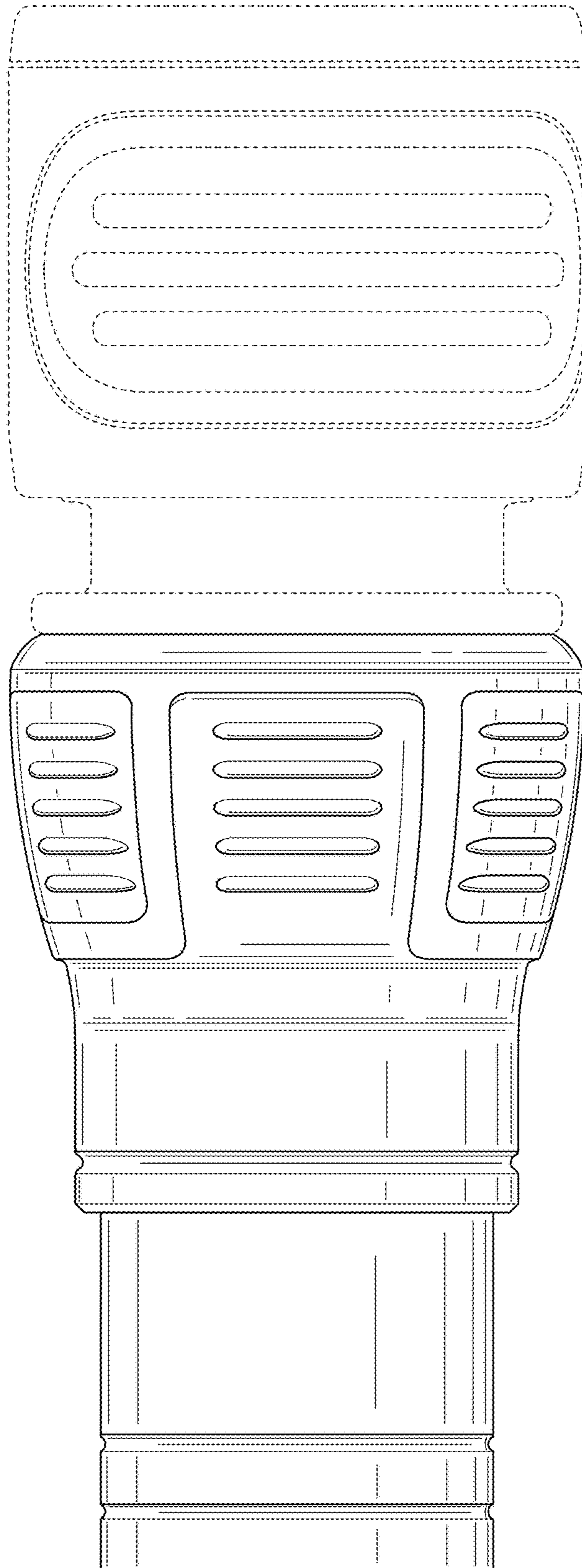


FIG. 3

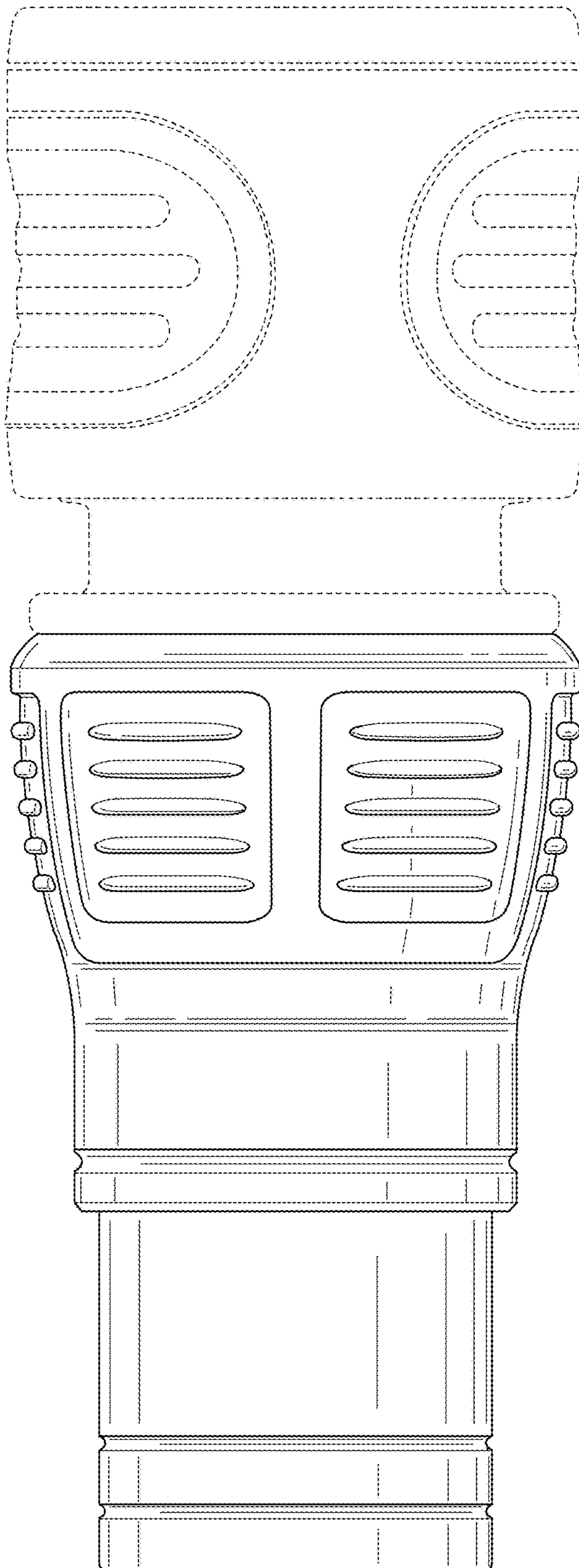


FIG. 4

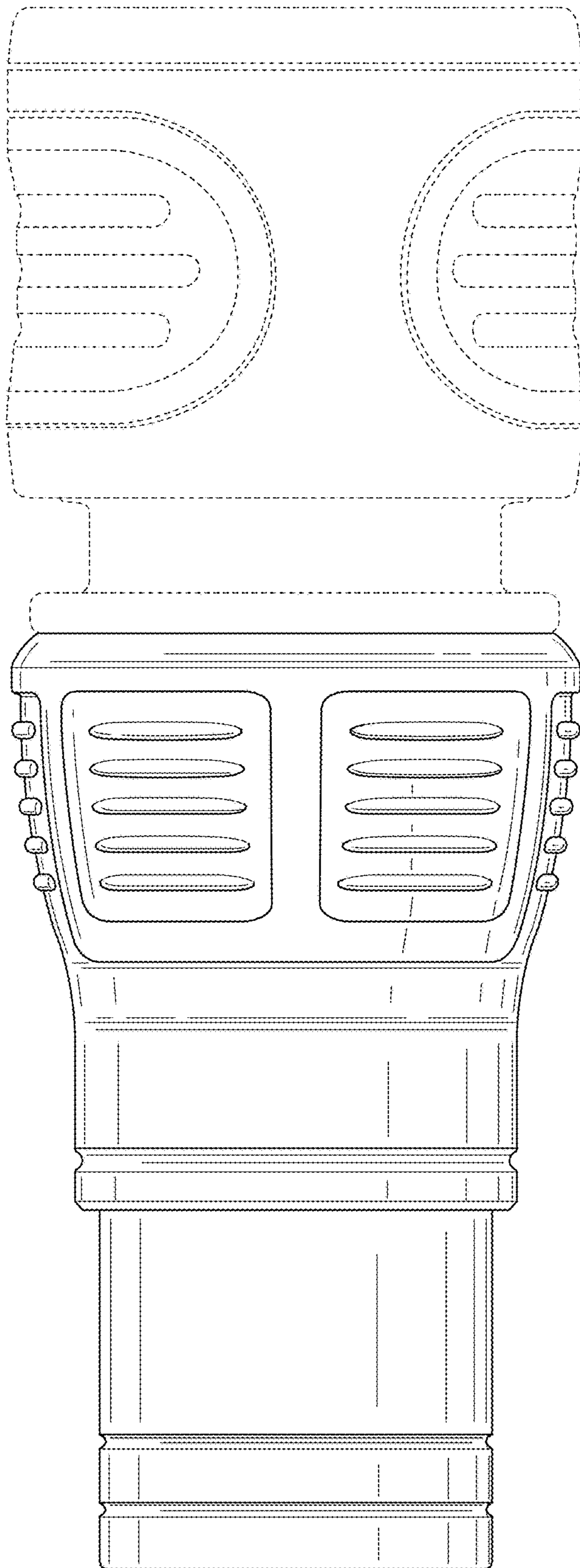


FIG. 5

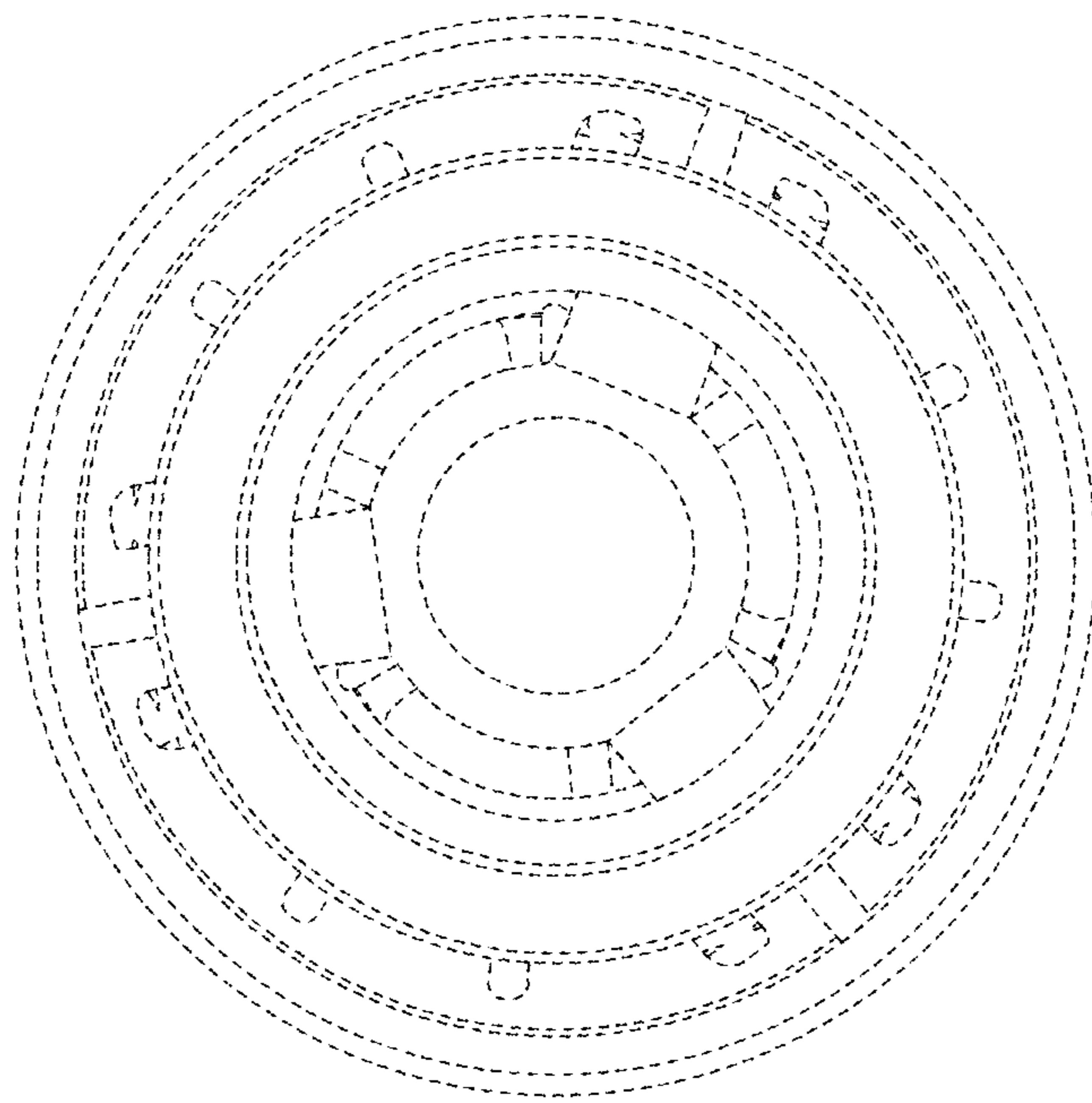


FIG. 6

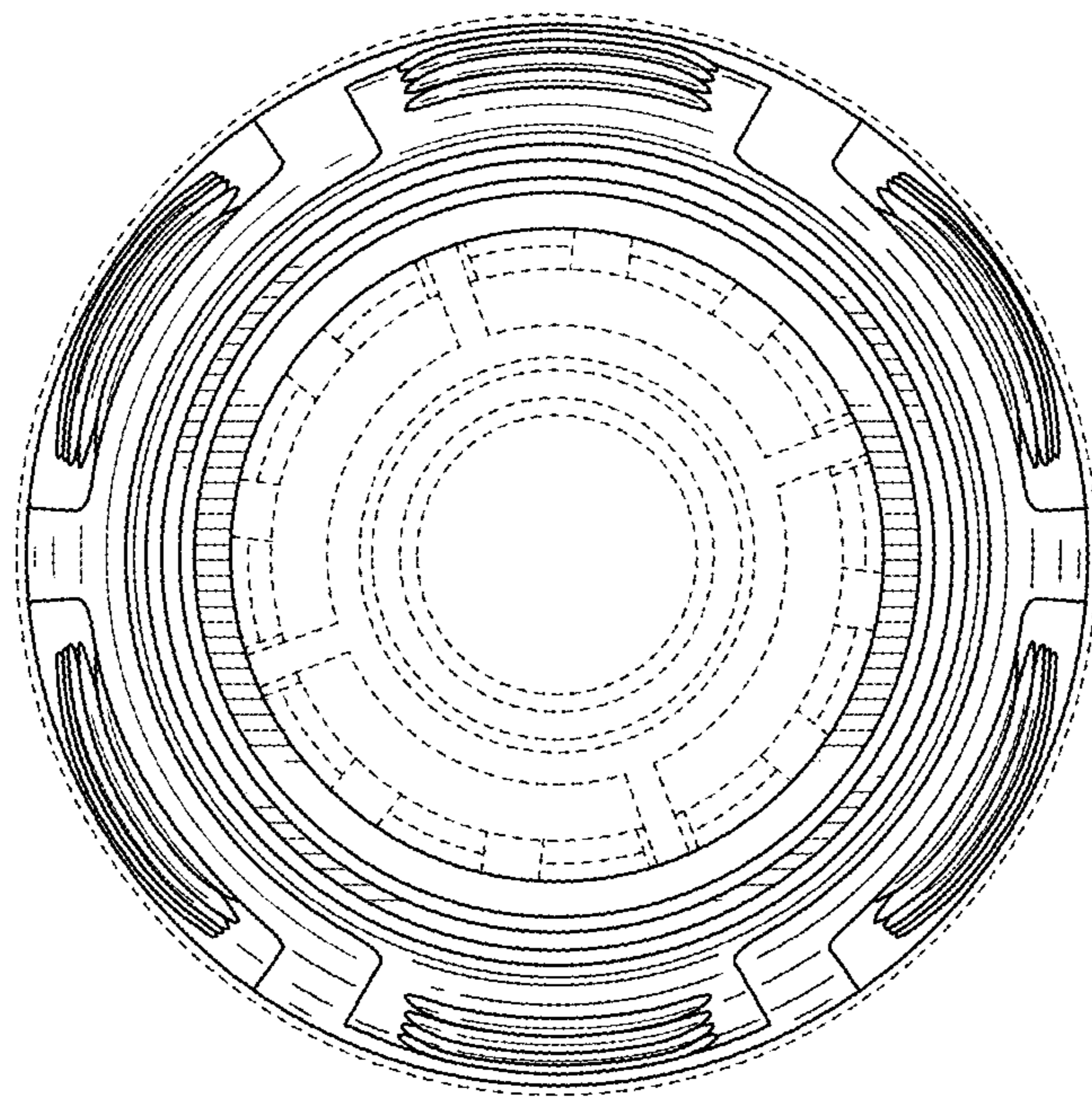


FIG. 7