



US00D821548S

(12) **United States Design Patent**
Cai et al.

(10) **Patent No.:** **US D821,548 S**
(45) **Date of Patent:** **** Jun. 26, 2018**

(54) **QUICK CONNECTOR**

37/144; F16J 15/22; F16J 1/005; G09F 9/33

See application file for complete search history.

(71) Applicant: **ROE Visual Co., Ltd.**, Shenzhen, Guangdong (CN)

(72) Inventors: **Danhu Cai**, Guangdong (CN); **Hong Zhang**, Guangdong (CN); **Shunwen Tian**, Guangdong (CN)

(73) Assignee: **ROE Visual Co., Ltd.**, Shenzhen (CN)

(**) Term: **15 Years**

(21) Appl. No.: **29/577,203**

(22) Filed: **Sep. 9, 2016**

(30) **Foreign Application Priority Data**

Mar. 11, 2016 (CN) 2016 3 0068595

(51) **LOC (11) Cl.** **23-01**

(52) **U.S. Cl.**
USPC **D23/259**; D14/451

(58) **Field of Classification Search**
USPC D23/259, 262–265, 386; D13/133; 285/31, 24, 27, 121.1, 123.3, 148.19, 285/148.22, 347, 199, 179, 179.1, 285/180–182, 132.2, 132.15, 124.2, 285/135.4, 305; 251/82, 142, 149, 149.8, 251/147, 148; D8/349, 382, 394–397, D8/359, 363; 165/154–155, 164, 181; 138/111–112, 114; D14/451–452, 376
CPC . E03C 1/28; E03C 1/122; E03C 1/262; E03C 1/292; F16L 55/18; F16L 17/00; F16L 23/00; F16L 21/02; F16L 21/06; F16L 9/18; F16L 9/20; F16L 39/005; F16L

(56) **References Cited**

U.S. PATENT DOCUMENTS

6,935,883	B2 *	8/2005	Oddsens, Jr.	H01R 13/625 248/274.1
D537,323	S *	2/2007	Saez	D14/452
D568,325	S *	5/2008	Muday	D14/452
7,503,784	B2 *	3/2009	Osborne	F16L 37/00 285/305
D696,671	S *	12/2013	Carnevali	D14/253
D752,183	S *	3/2016	Hsu	D23/233
9,657,889	B1 *	5/2017	Chumakov	F16M 13/00
9,713,275	B2 *	7/2017	Chen	G09F 9/33
2002/0084652	A1 *	7/2002	Halbrock	F16L 37/144 285/305
2003/0034648	A1 *	2/2003	Zitkovic, Jr.	F16L 37/144 285/120.1
2003/0160448	A1 *	8/2003	Takayanagi	F16L 37/098 285/305
2007/0228727	A1 *	10/2007	Matsuno	F16L 37/0985 285/305

(Continued)

Primary Examiner — Eric L Goodman
Assistant Examiner — Amy Wierenga

(57) **CLAIM**

The ornamental design for a quick connector, as shown and described.

DESCRIPTION

FIG. 1 is a first perspective view of a quick connector showing our new design;
FIG. 2 is a second perspective view thereof;
FIG. 3 is a third perspective view thereof;
FIG. 4 is a fourth perspective view thereof;
FIG. 5 is a fifth perspective view thereof.
FIG. 6 is a front elevational view thereof;
FIG. 7 is a rear elevational view thereof;
FIG. 8 is a top plan view thereof;
FIG. 9 is a bottom plan view thereof;

(Continued)

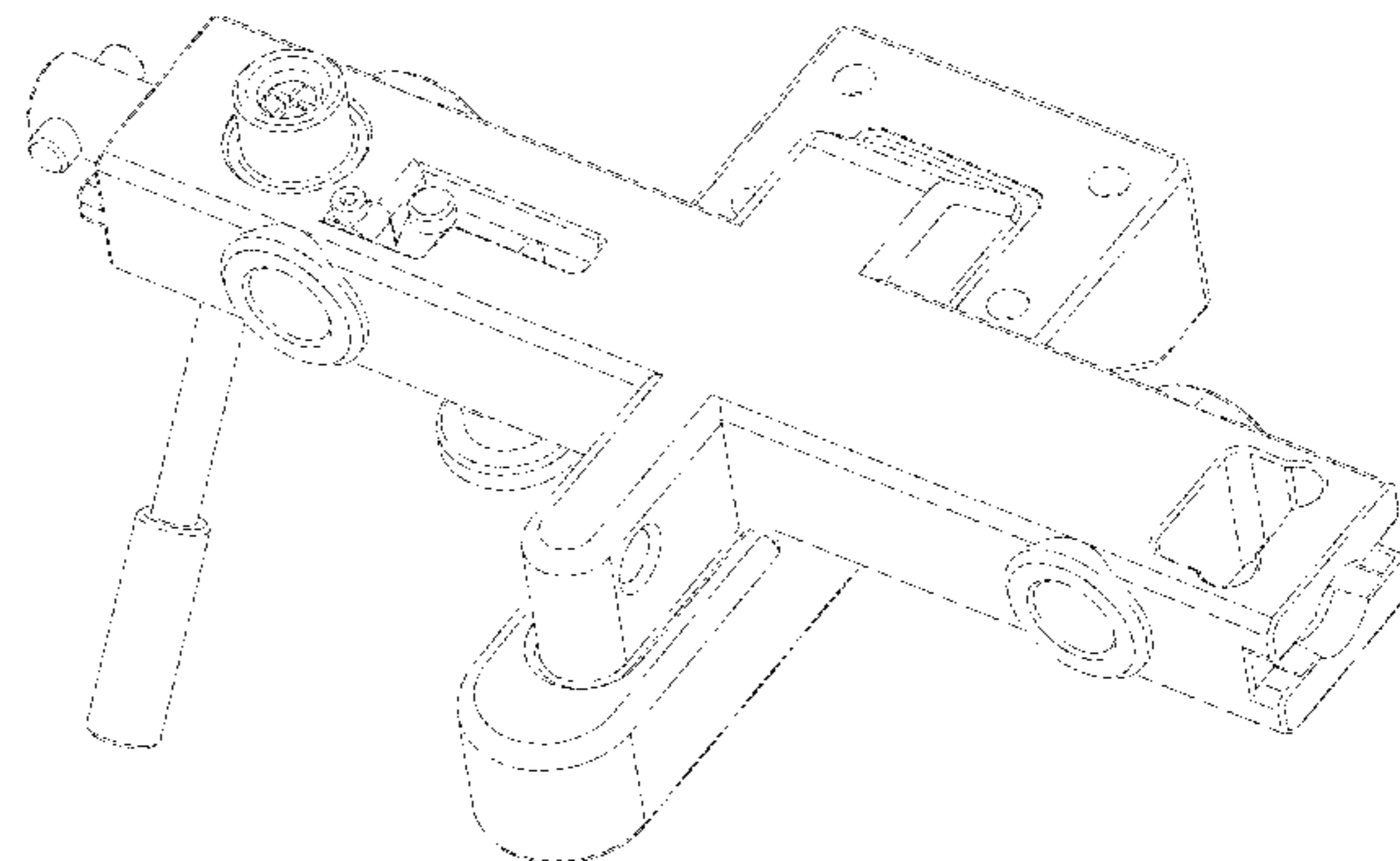
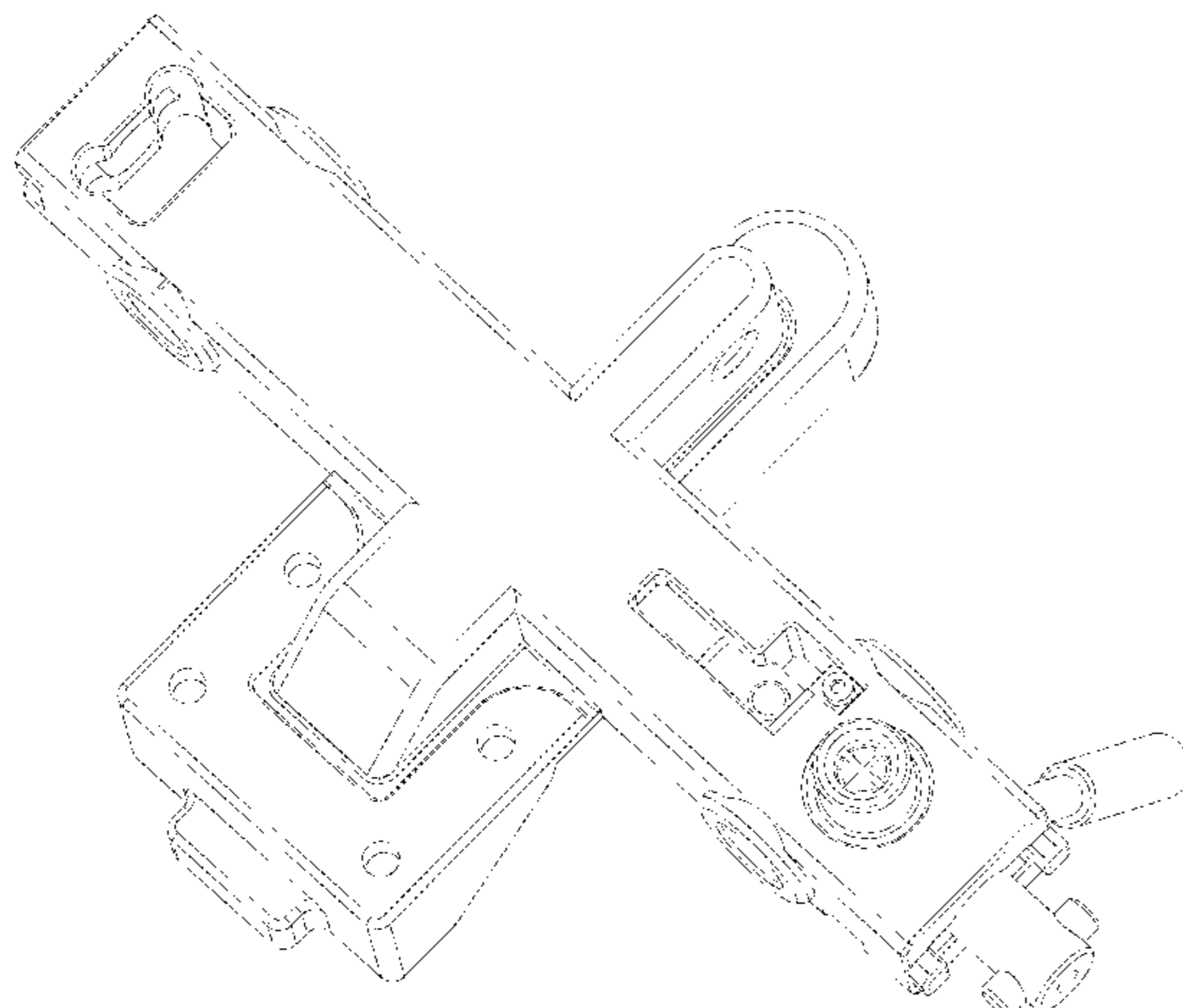


FIG. 10 is a left side view thereof; and,
FIG. 11 is a right side view thereof.

1 Claim, 11 Drawing Sheets

(56) **References Cited**

U.S. PATENT DOCUMENTS

2017/0211786 A1* 7/2017 Pan F16B 5/0084

* cited by examiner

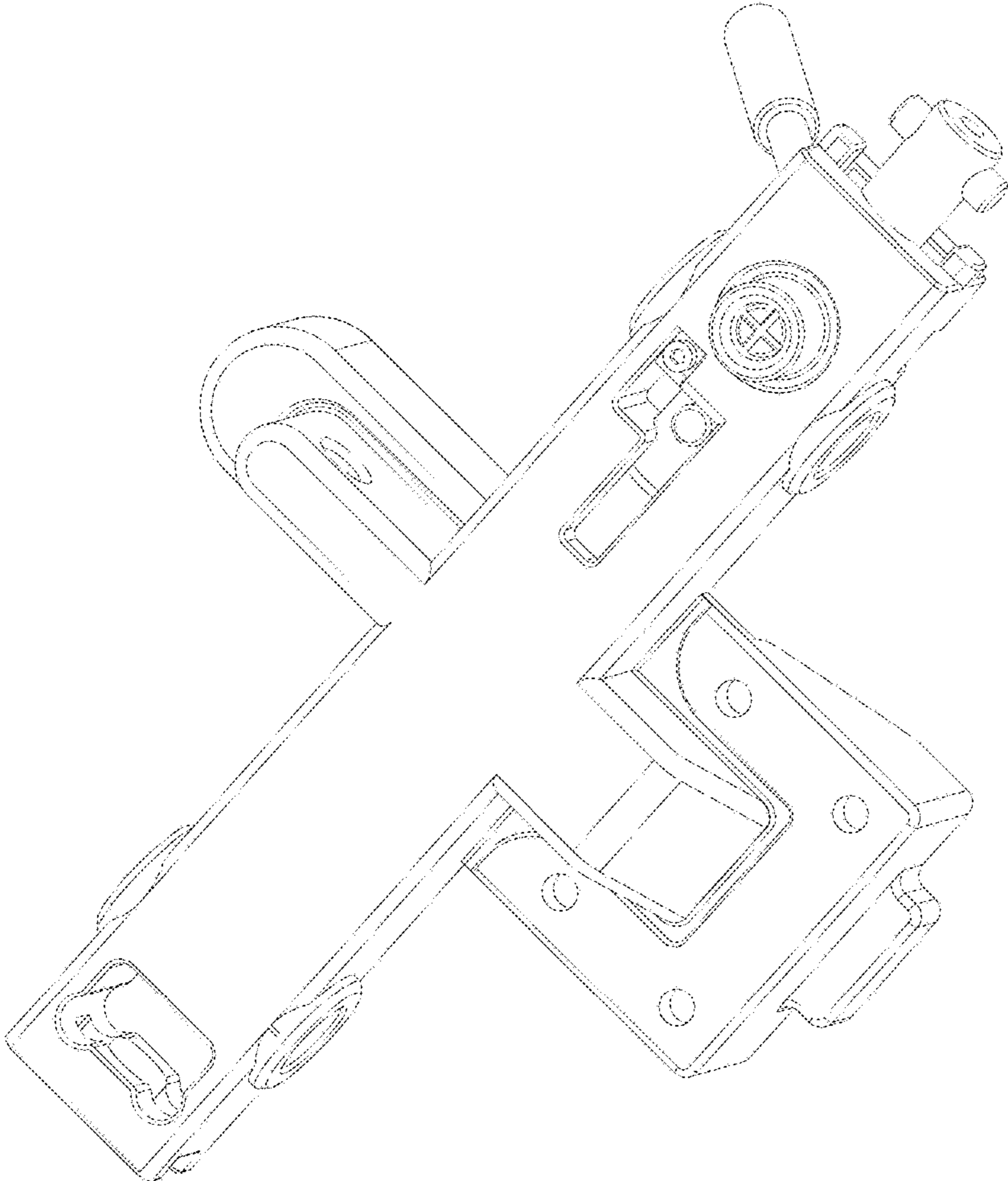


Fig. 1

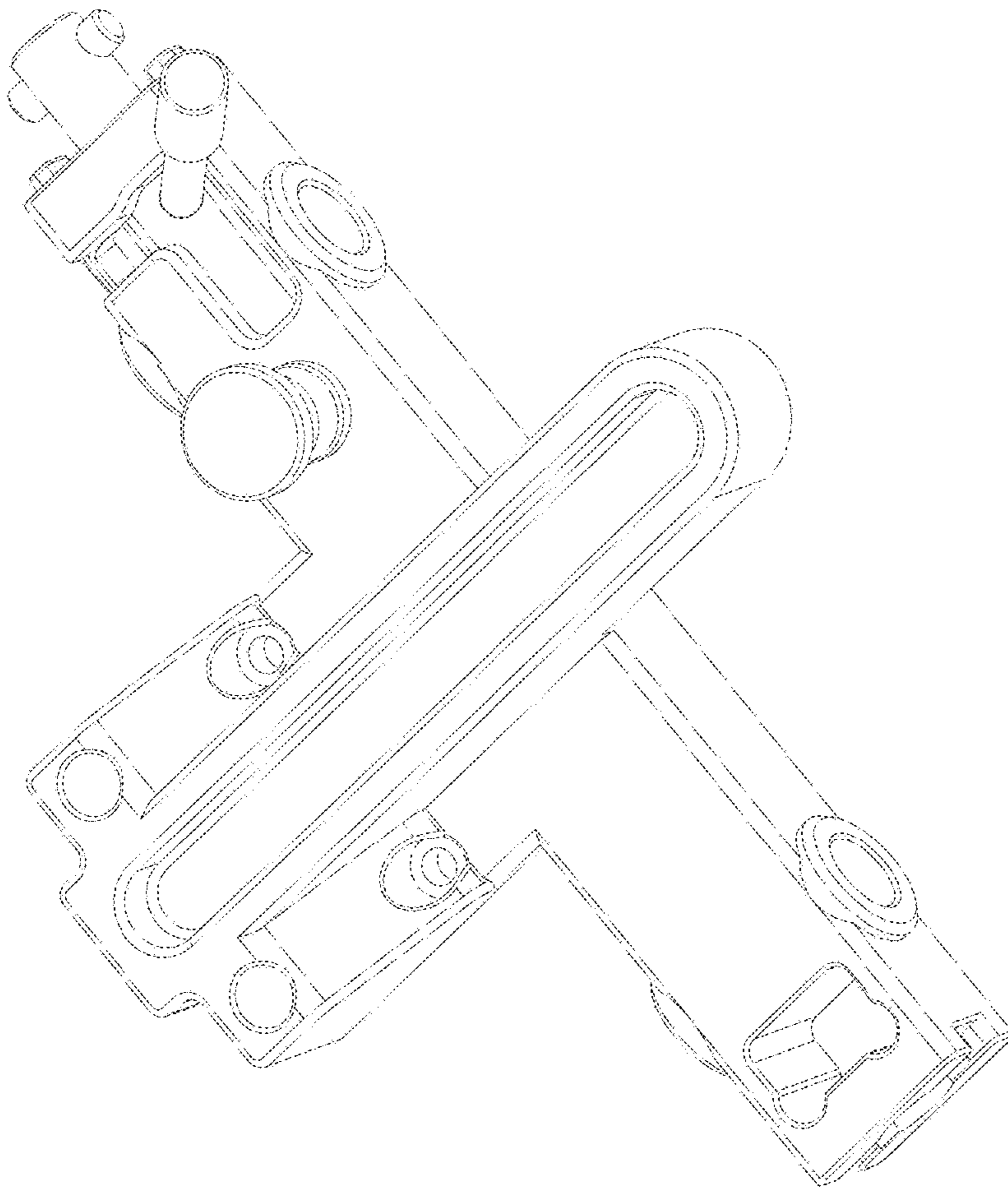


Fig. 2

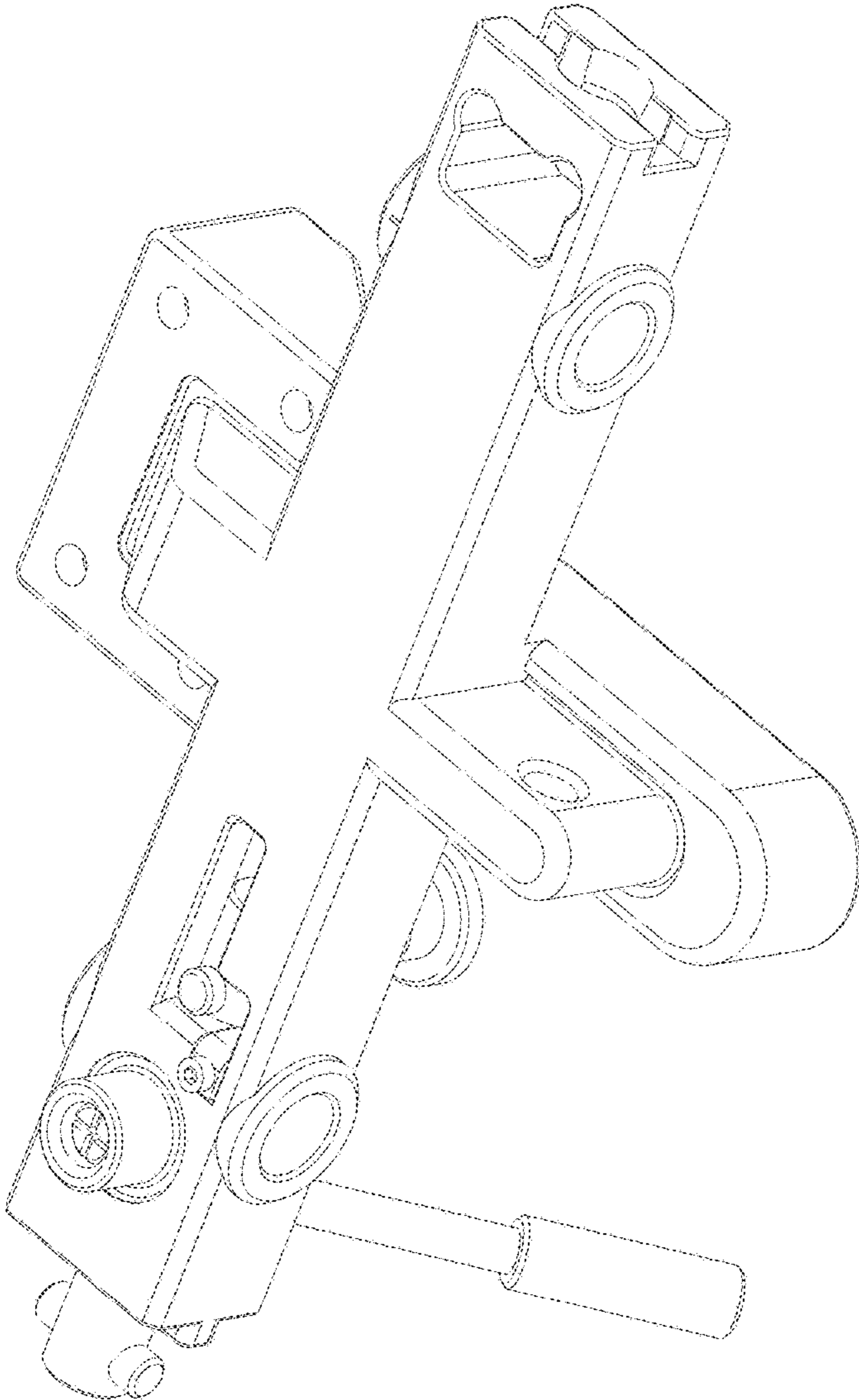


Fig. 3

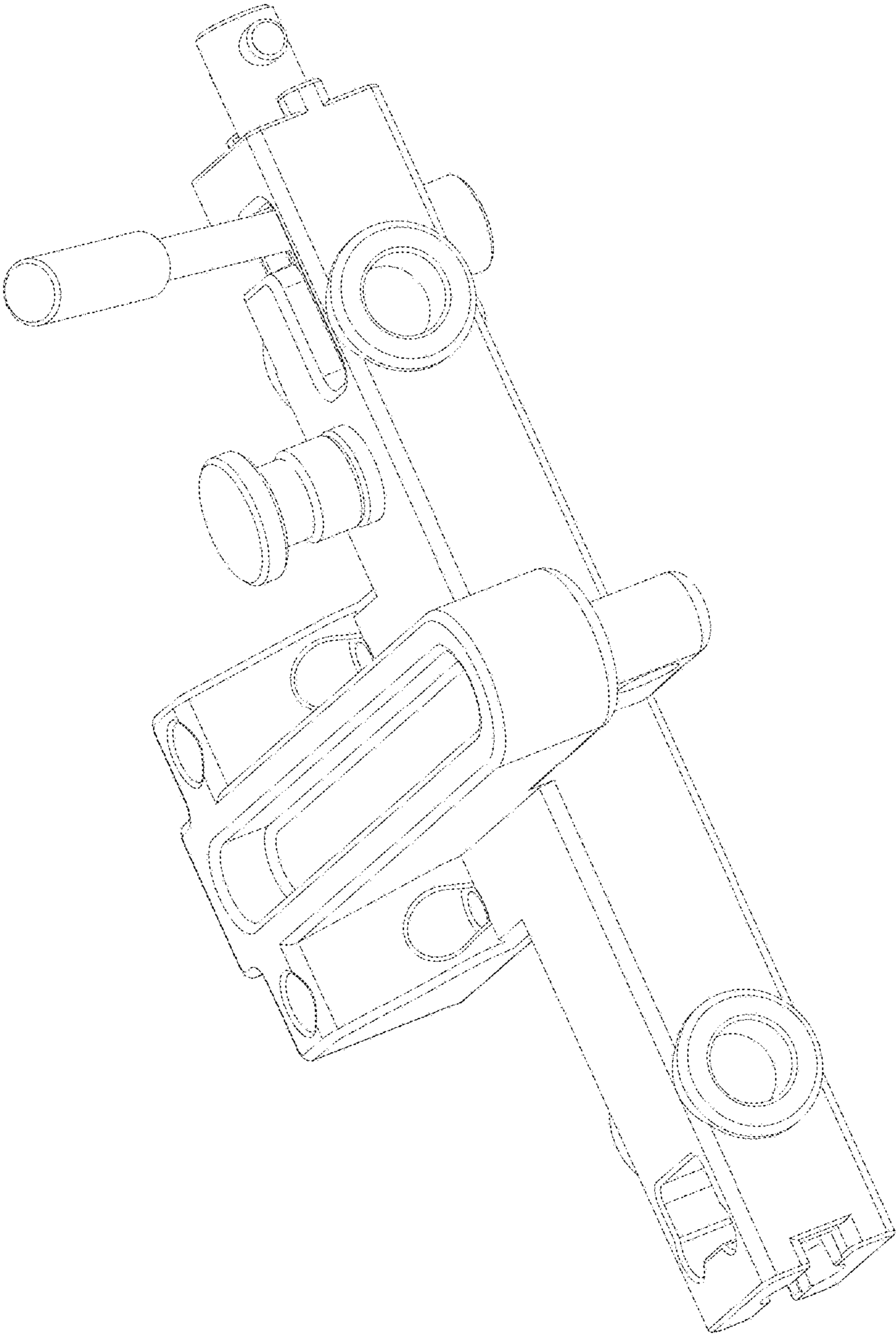


Fig. 4

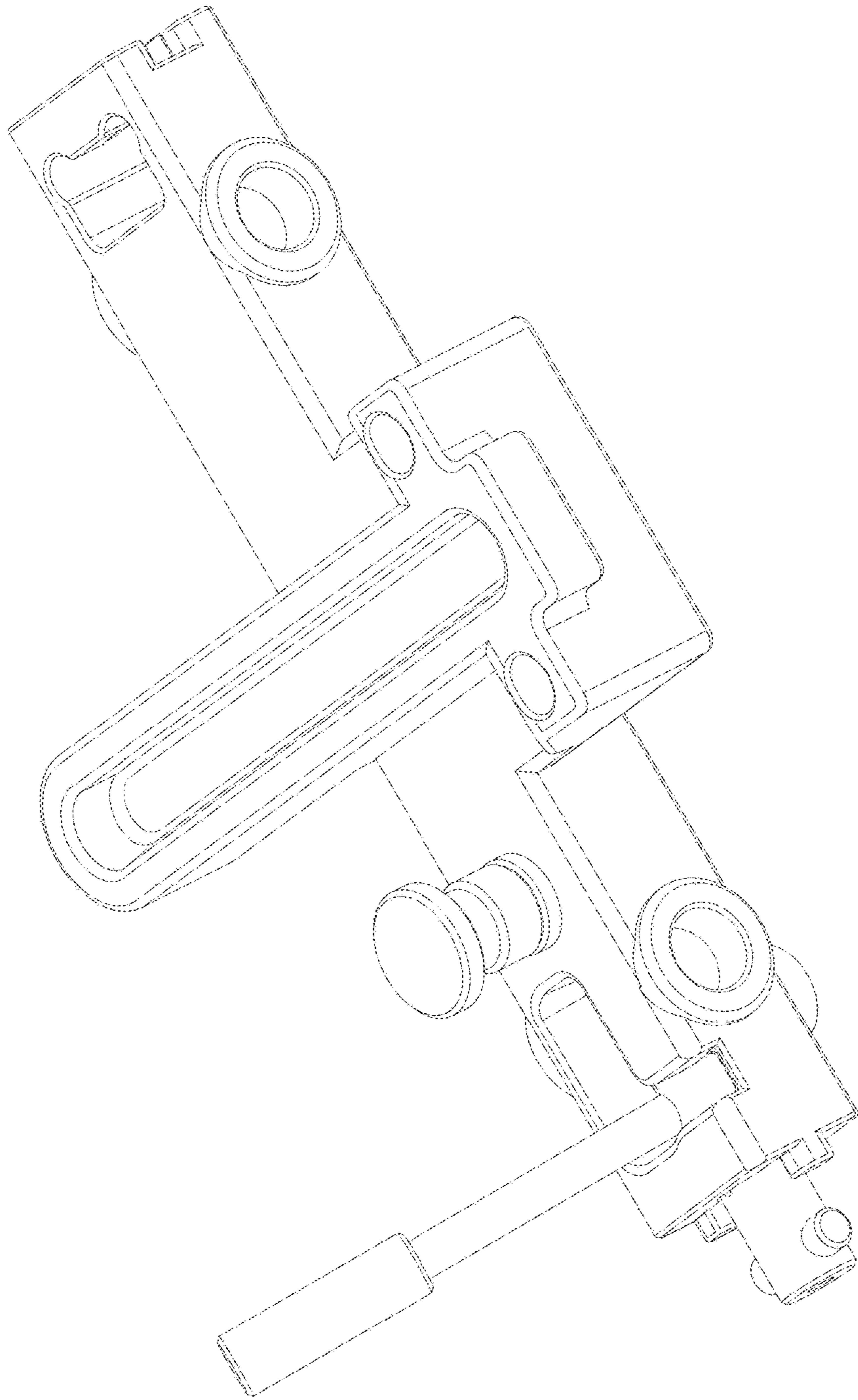


Fig. 5

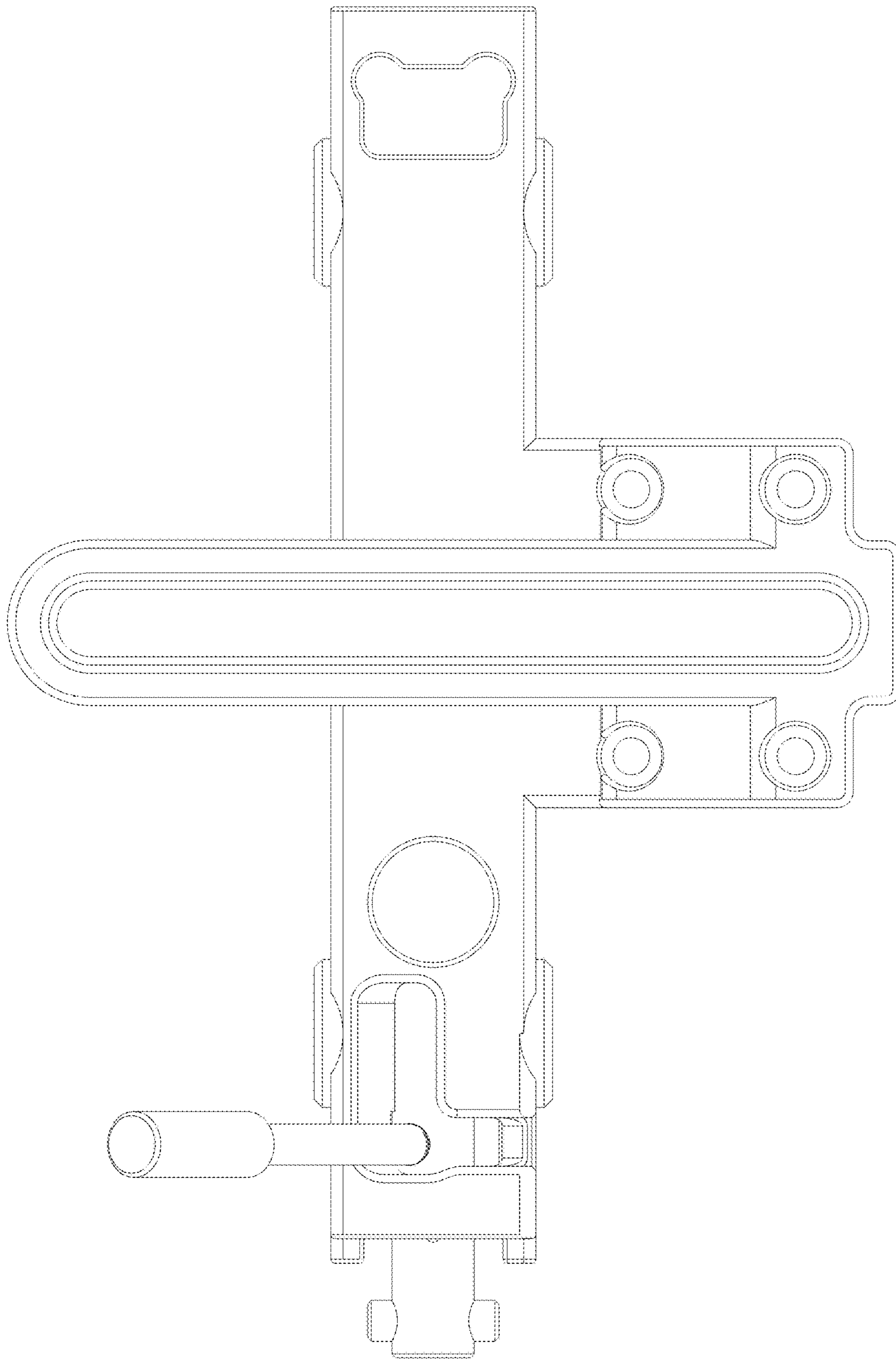


Fig. 6

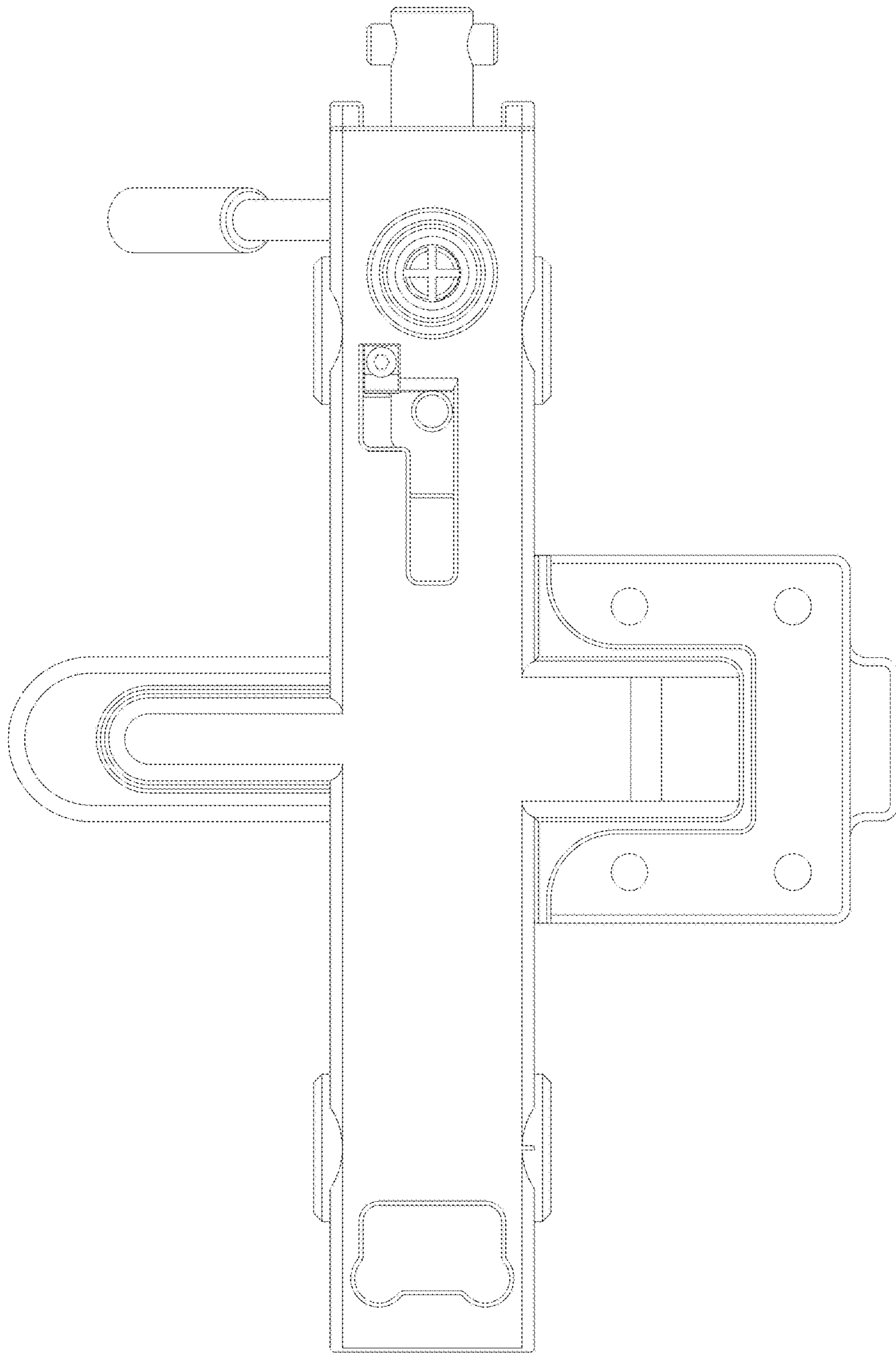


Fig. 7

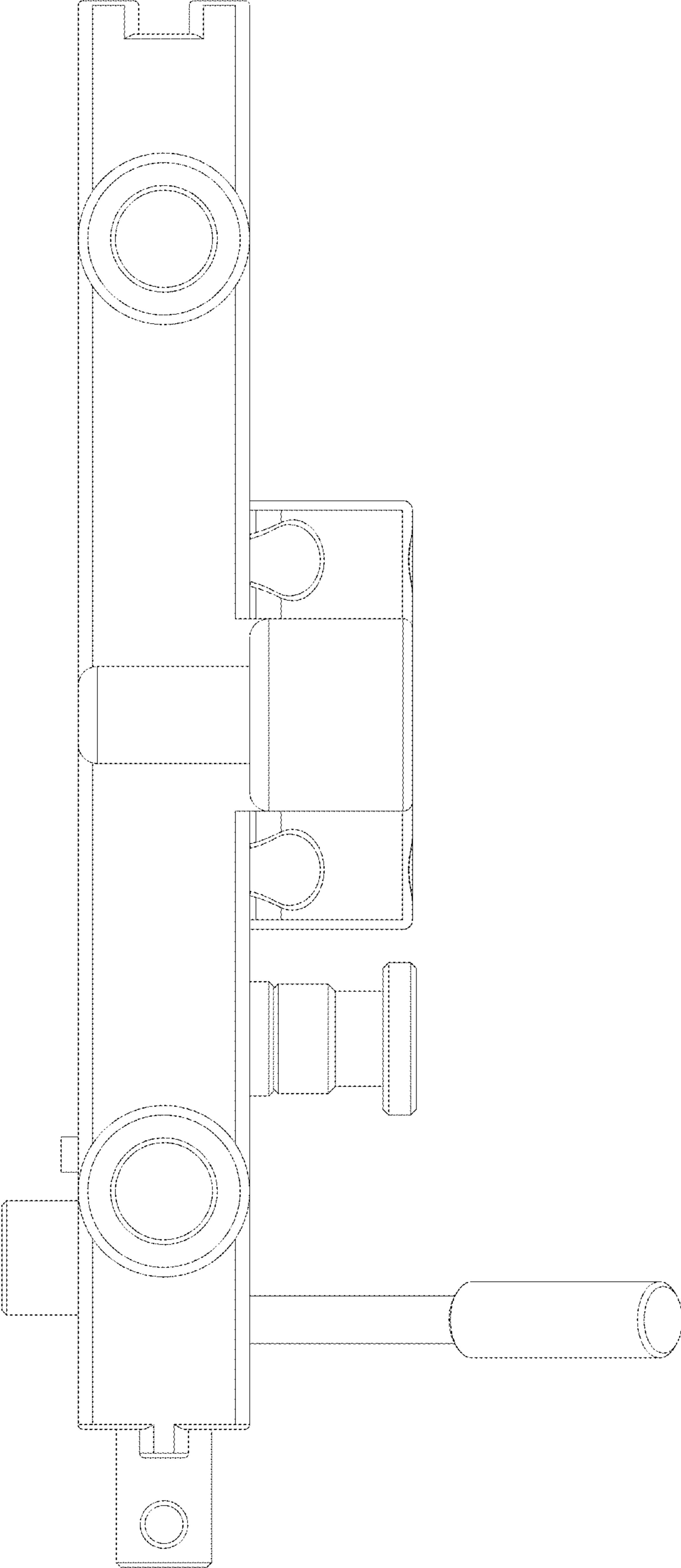


Fig. 8

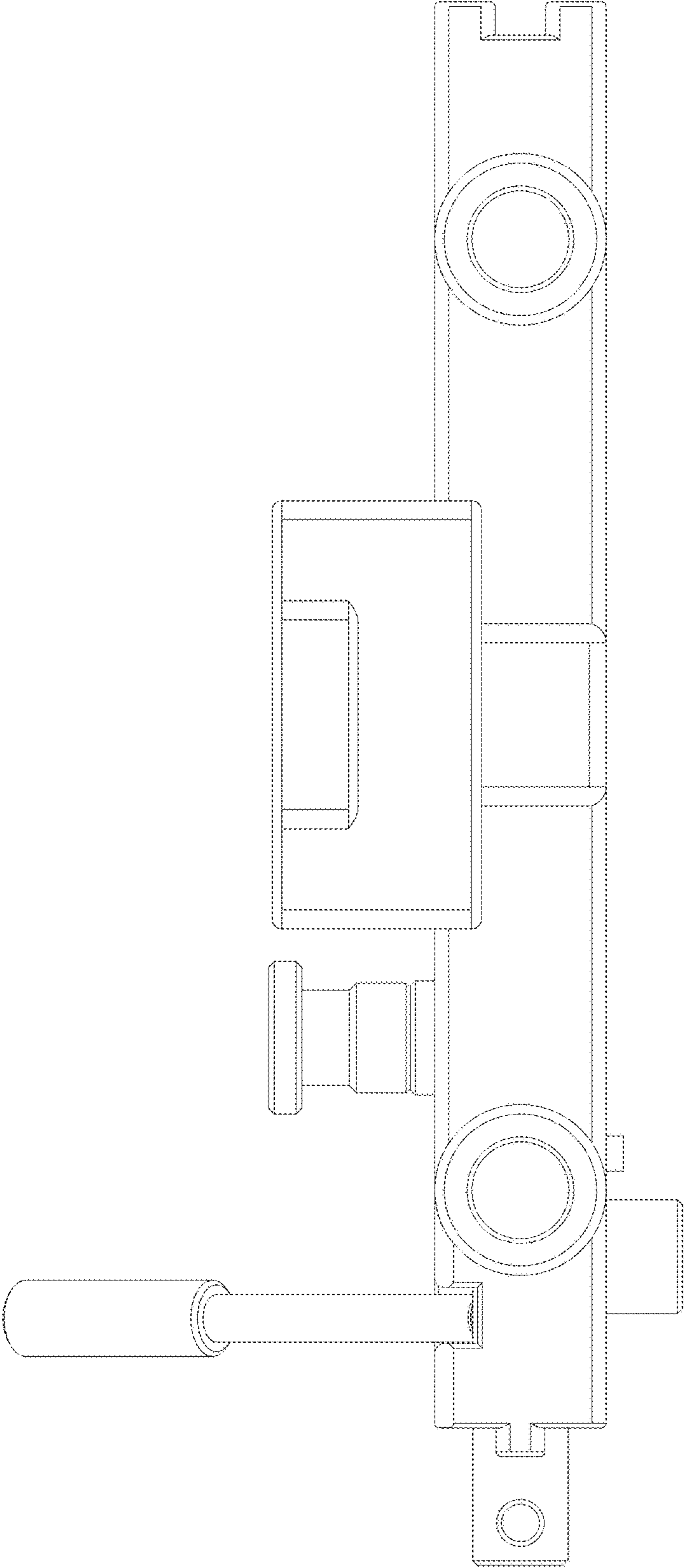


Fig. 9

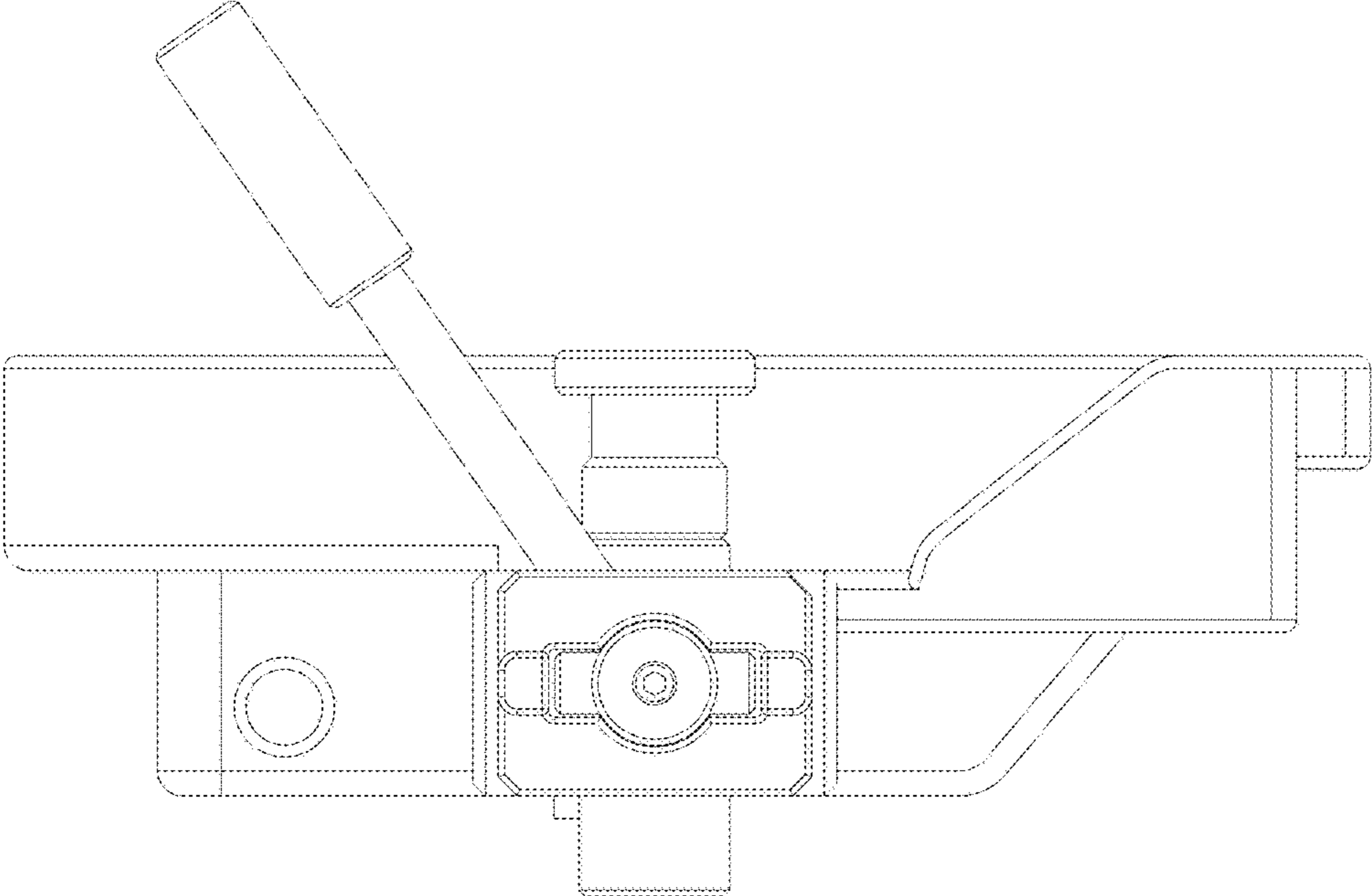


Fig. 10

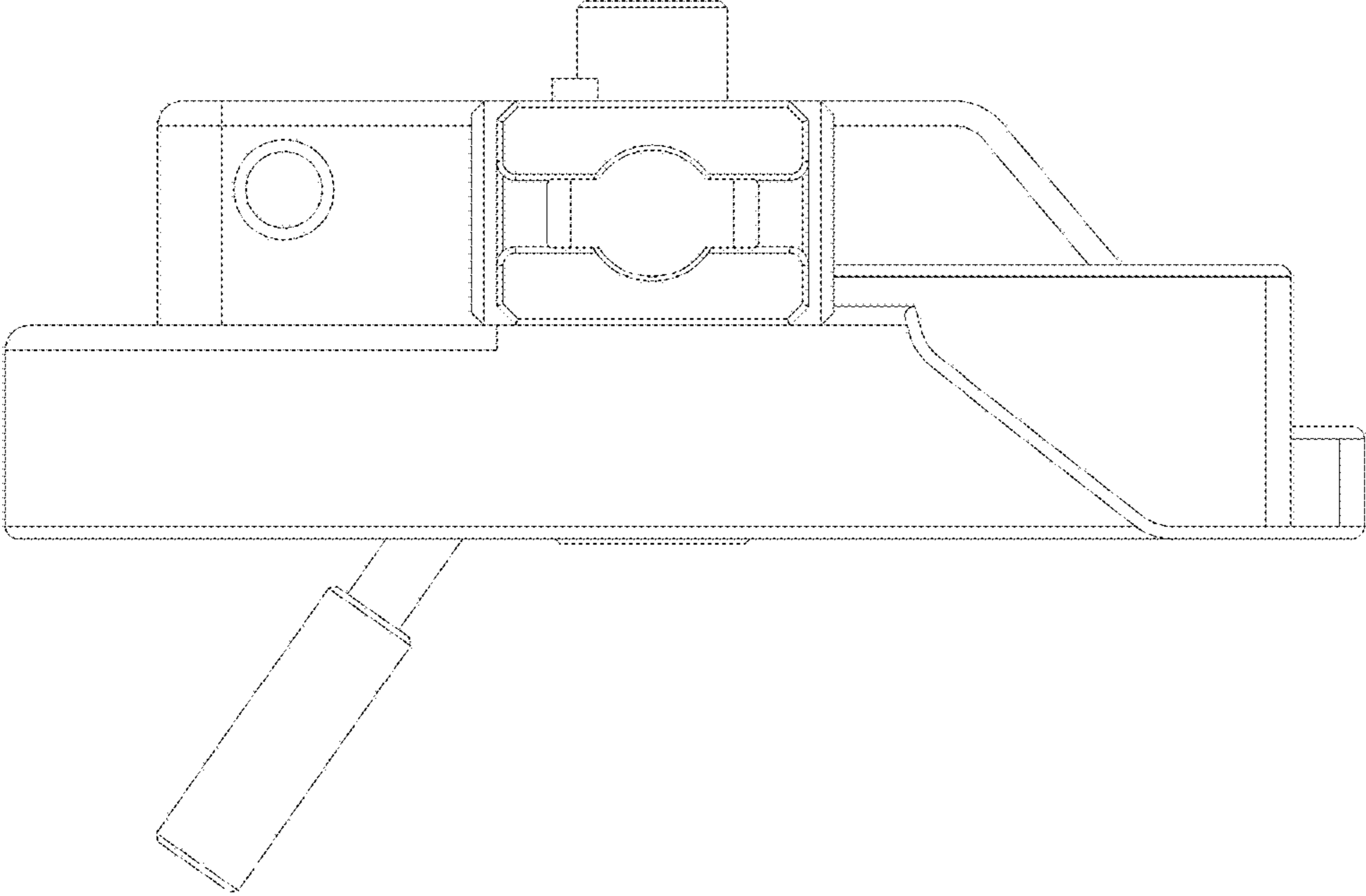


Fig. 11