



US00D821547S

(12) **United States Design Patent**
Niu et al.

(10) **Patent No.:** **US D821,547 S**
(45) **Date of Patent:** **** Jun. 26, 2018**

- (54) **FAUCET**
- (71) Applicant: **Kohler (China) Investment Co., Ltd.**,
Shanghai (CN)
- (72) Inventors: **Jimin Niu**, Beijing (CN); **Chia Ying Lee**,
Chicago, IL (US); **Lun Cheak Tan**, Shanghai (CN)
- (73) Assignee: **KOHLER (CHINA) INVESTMENT CO., LTD.** (CN)
- (**) Term: **15 Years**
- (21) Appl. No.: **29/622,556**
- (22) Filed: **Oct. 18, 2017**

- D589,124 S 3/2009 Soulier
- D589,125 S 3/2009 Soulier
- D605,258 S 12/2009 Rubin et al.
- D628,277 S 11/2010 Montgomery
- D665,053 S 8/2012 Wang
- D689,595 S 9/2013 Georgeson
- D703,790 S 4/2014 Mazz et al.
- D720,432 S 12/2014 Hundley et al.
- D725,235 S 3/2015 Barber
- D737,938 S 9/2015 Schoenherr
- D787,020 S 5/2017 Ziemann

Primary Examiner — Robert A Delehanty
(74) *Attorney, Agent, or Firm* — Foley & Lardner LLP

(57) **CLAIM**

We claim the ornamental design for a faucet, as shown and described.

DESCRIPTION

FIG. 1 is a top, front, left perspective view of an embodiment of the claimed design;
 FIG. 2 is a front elevation view thereof;
 FIG. 3 is a rear elevation view thereof;
 FIG. 4 is a top plan view thereof;
 FIG. 5 is a bottom plan view thereof;
 FIG. 6 is a right side elevation view thereof; and,
 FIG. 7 is a left side elevation view thereof.

The ornamental design which is claimed is shown in solid lines in the drawings. The broken lines in the drawings are for illustrative purposes only and form no part of the claimed design. Broken lines formed by equal length dashes in the drawings illustrate unclaimed portions of the design. Broken lines formed of unequal length dashes (i.e., dash-dot) show boundaries between claimed and unclaimed portions of the design.

Related U.S. Application Data

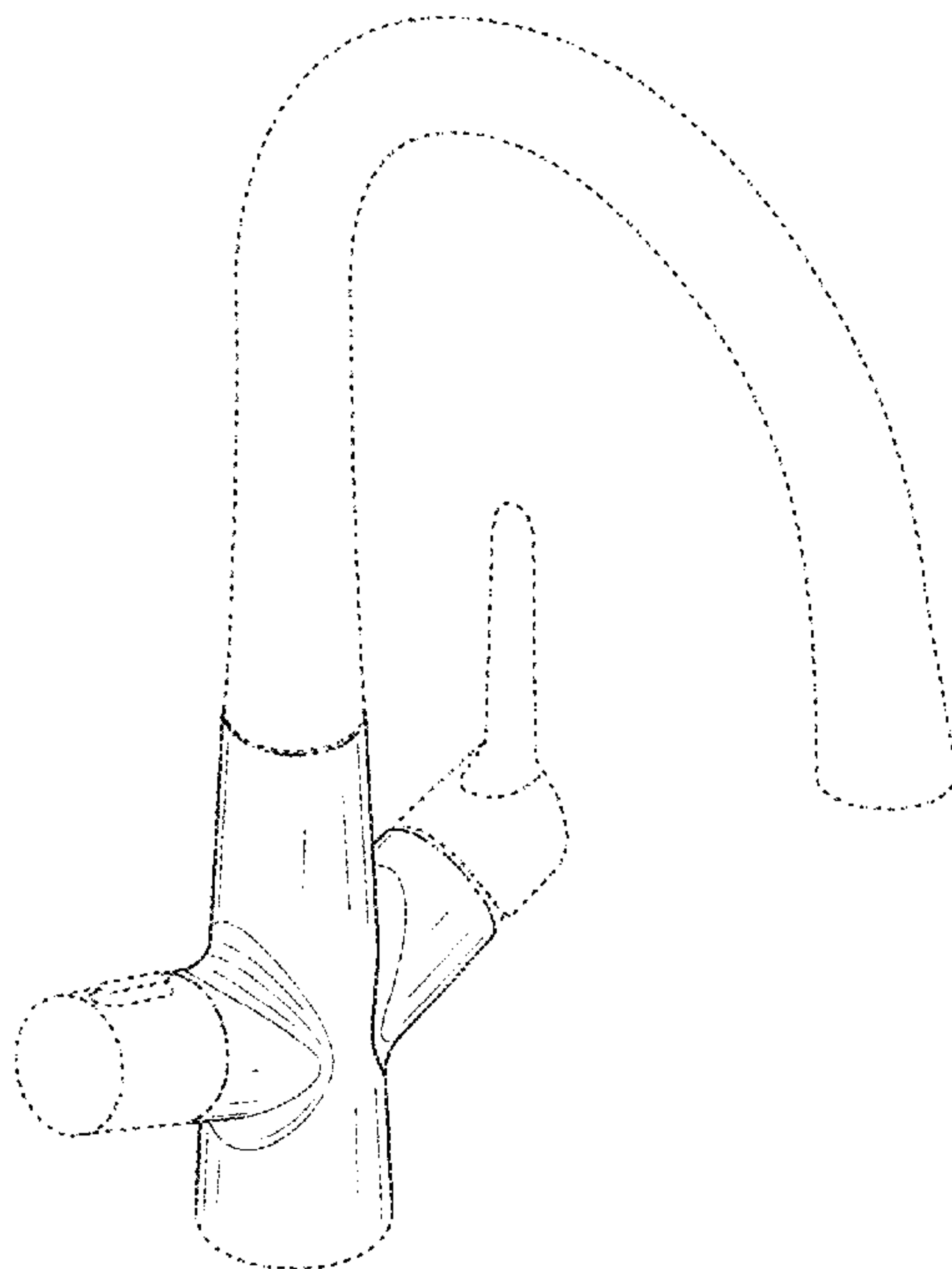
- (62) Division of application No. 29/566,366, filed on May 27, 2016, now Pat. No. Des. 803,988.
- (51) **LOC (11) Cl.** **23-01**
- (52) **U.S. Cl.**
USPC **D23/249**
- (58) **Field of Classification Search**
USPC D23/238–243, 249–250, 252, 254
CPC Y10T 137/9464
See application file for complete search history.

References Cited

U.S. PATENT DOCUMENTS

- D425,181 S 5/2000 Lewis
- D527,076 S 8/2006 Kolin
- D573,696 S 7/2008 Eilmus
- D576,707 S 9/2008 Schonherr

1 Claim, 7 Drawing Sheets



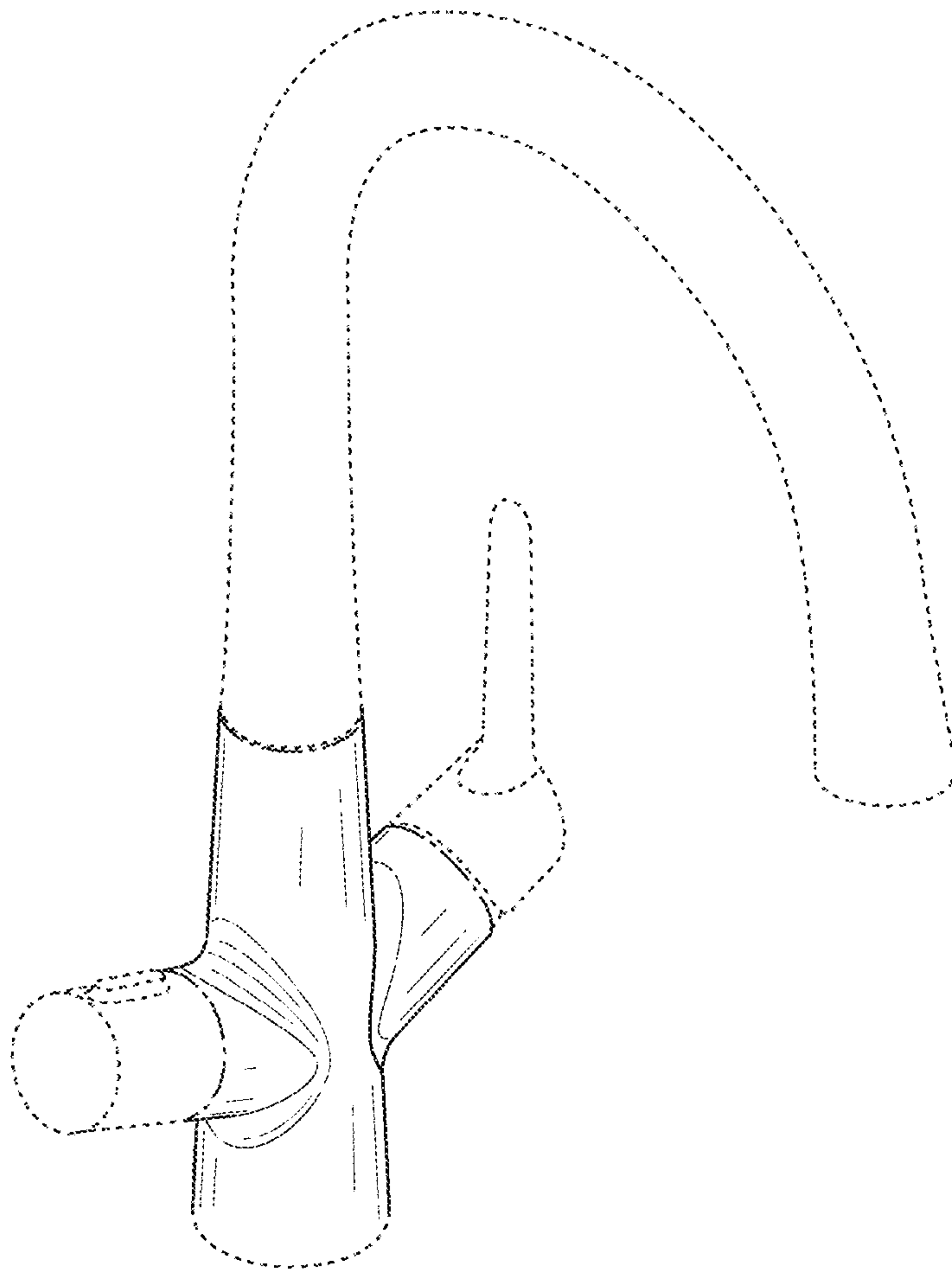


FIG. 1

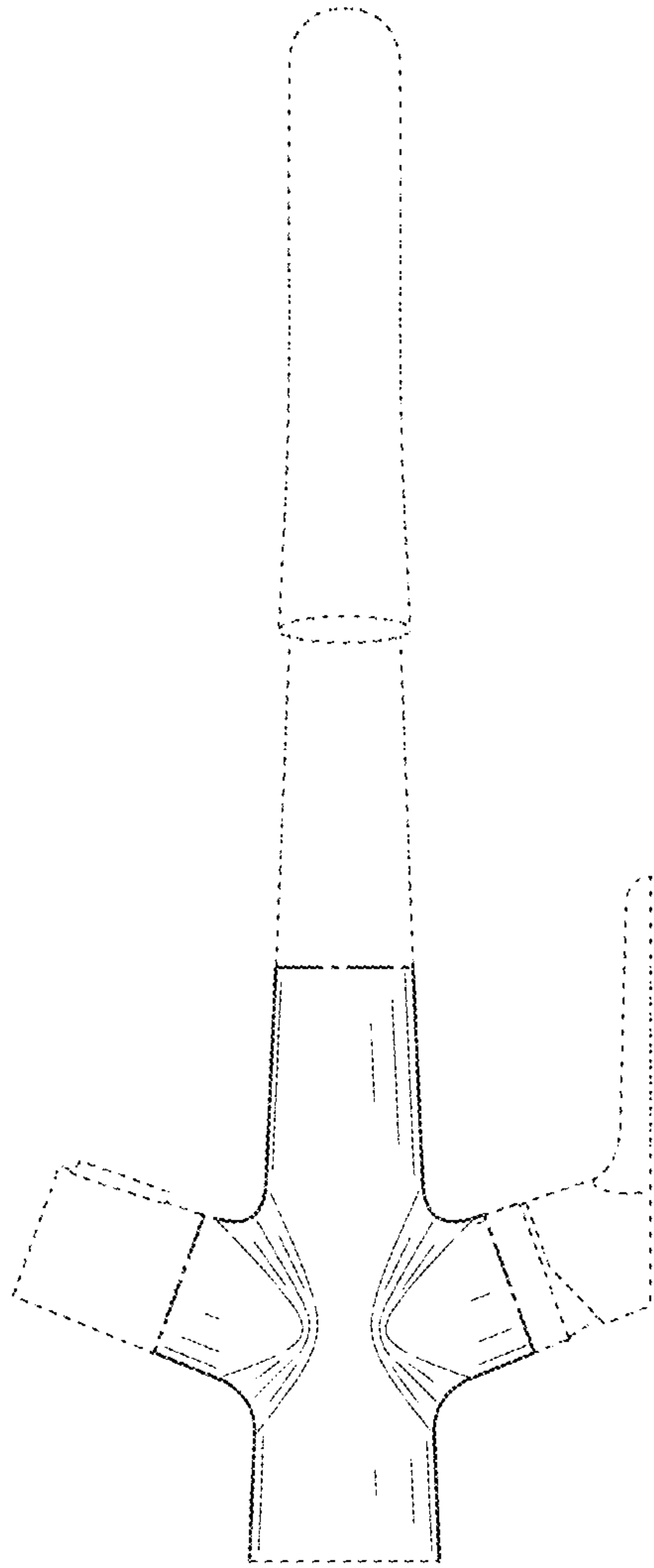


FIG. 2

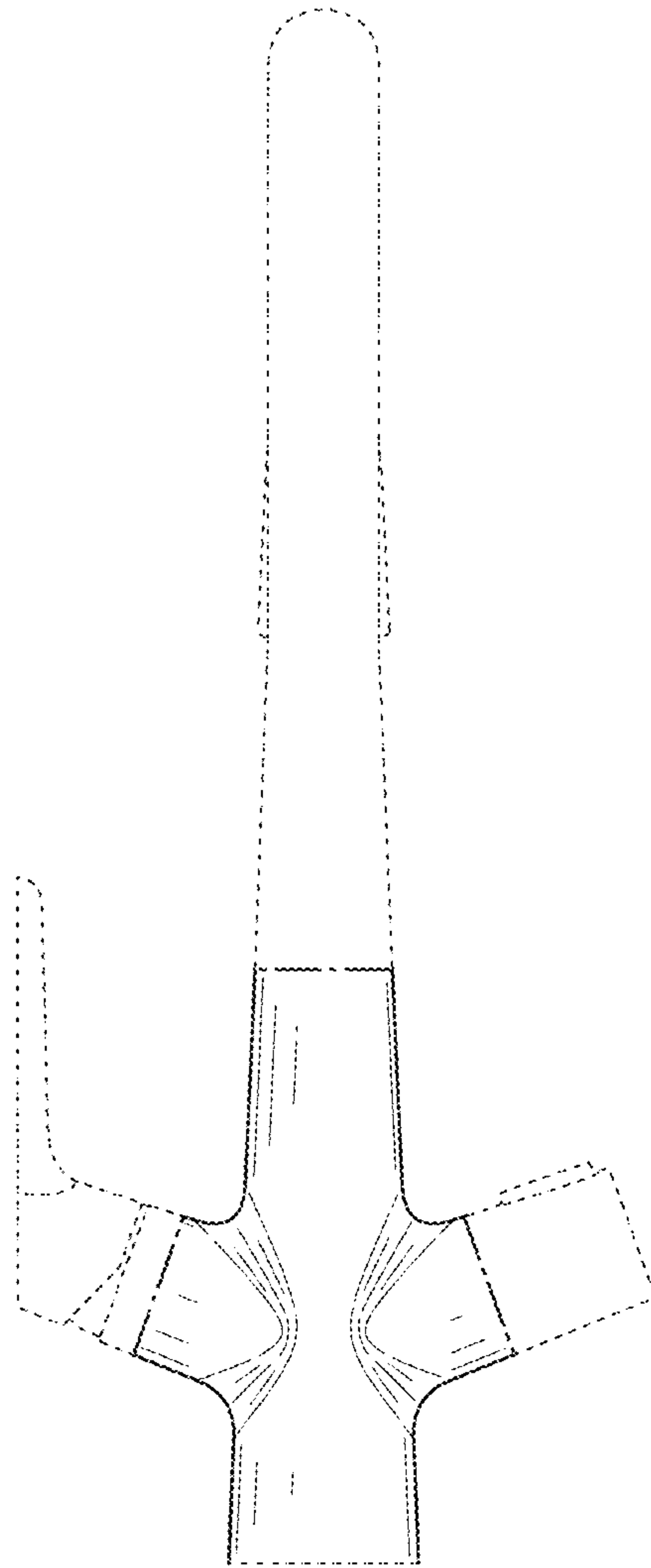


FIG. 3

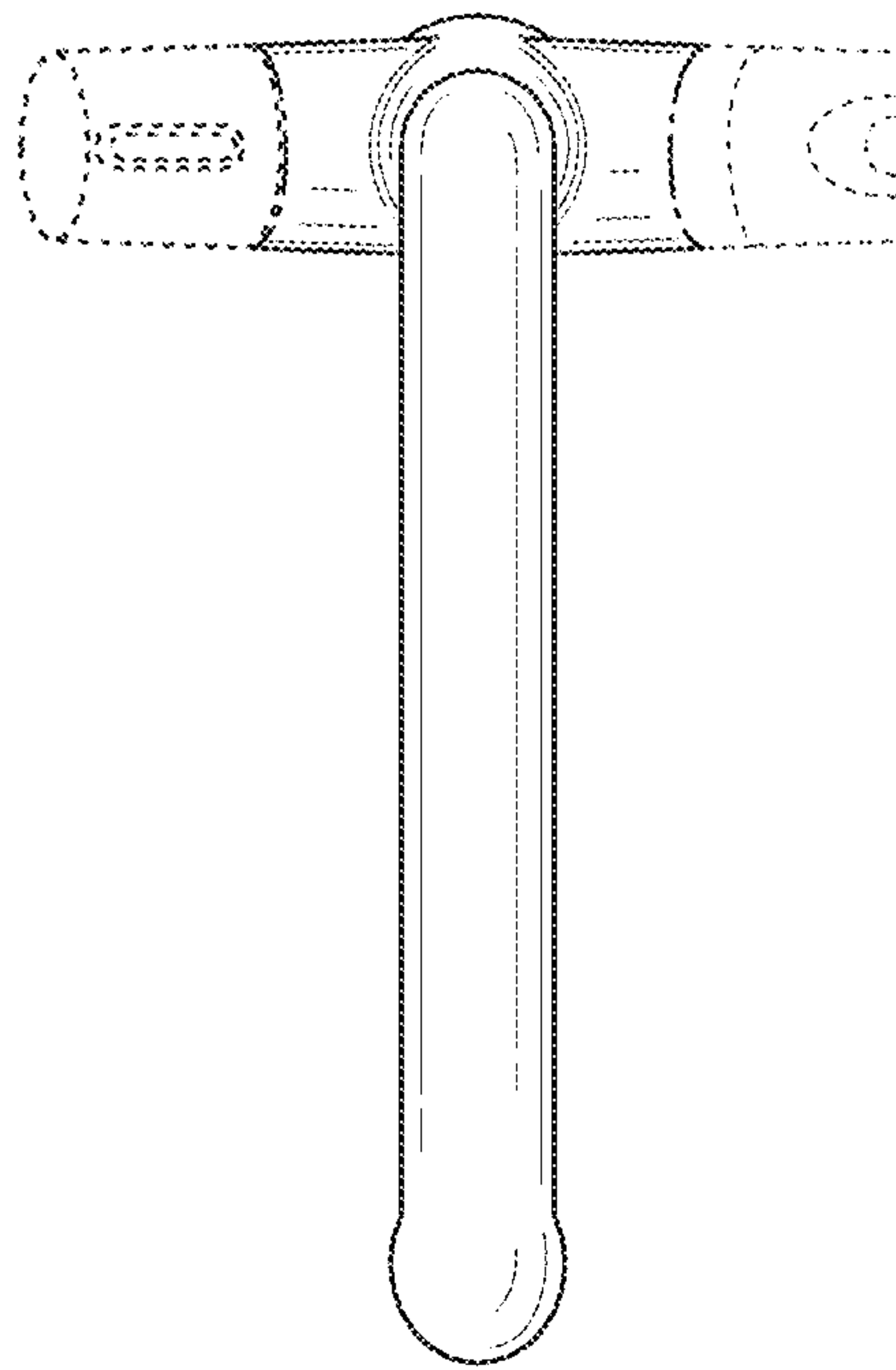


FIG. 4

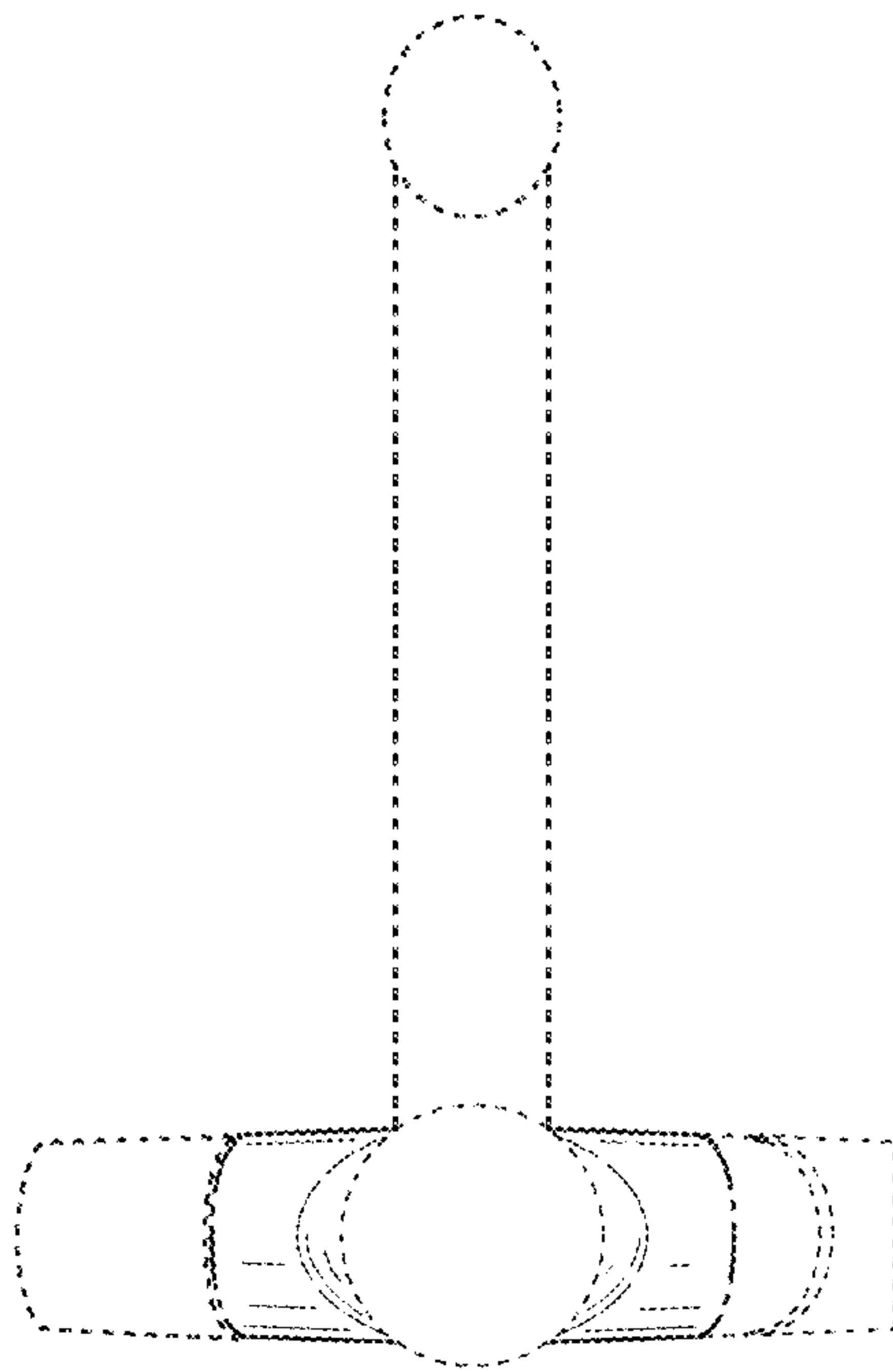


FIG. 5

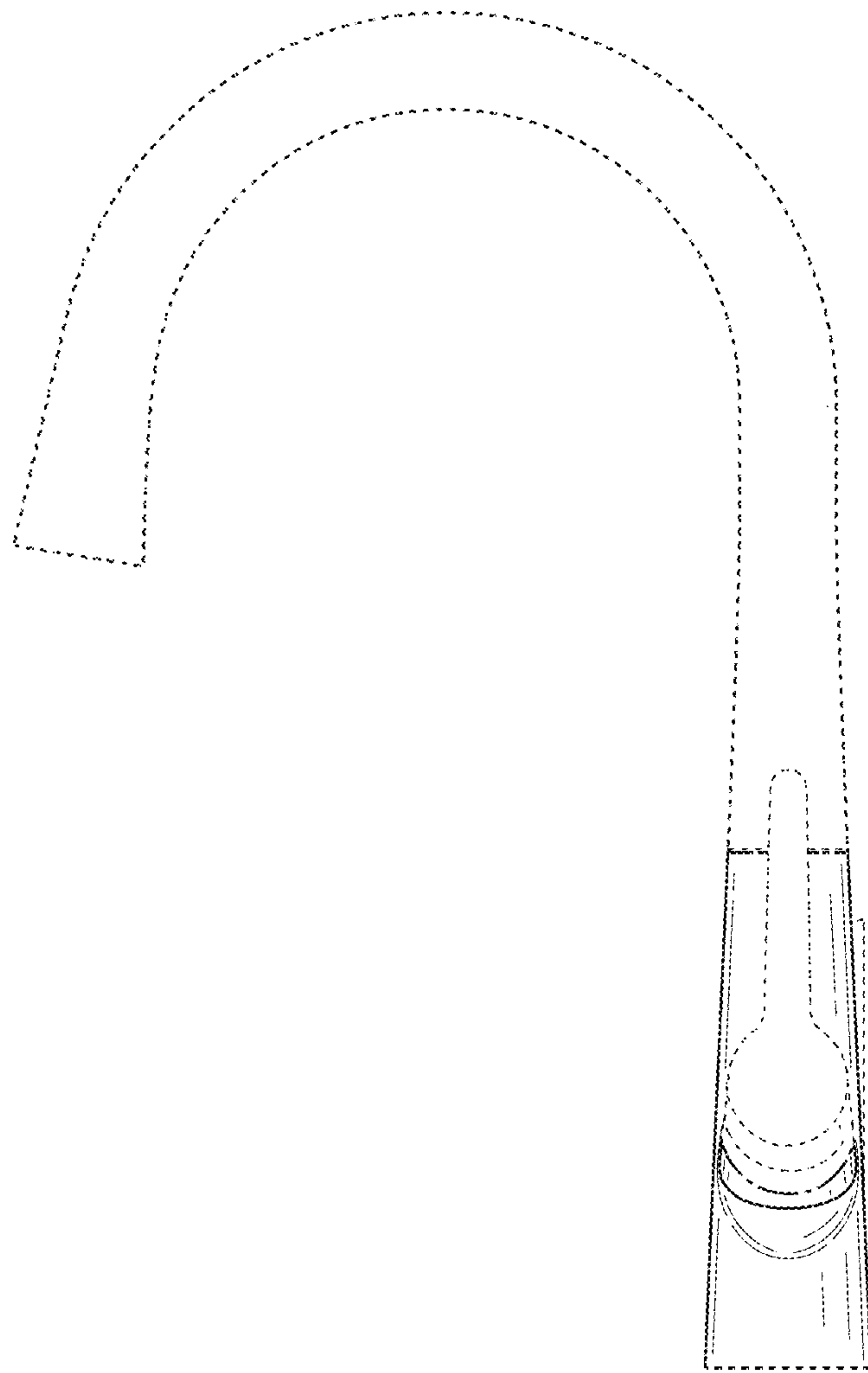


FIG. 6

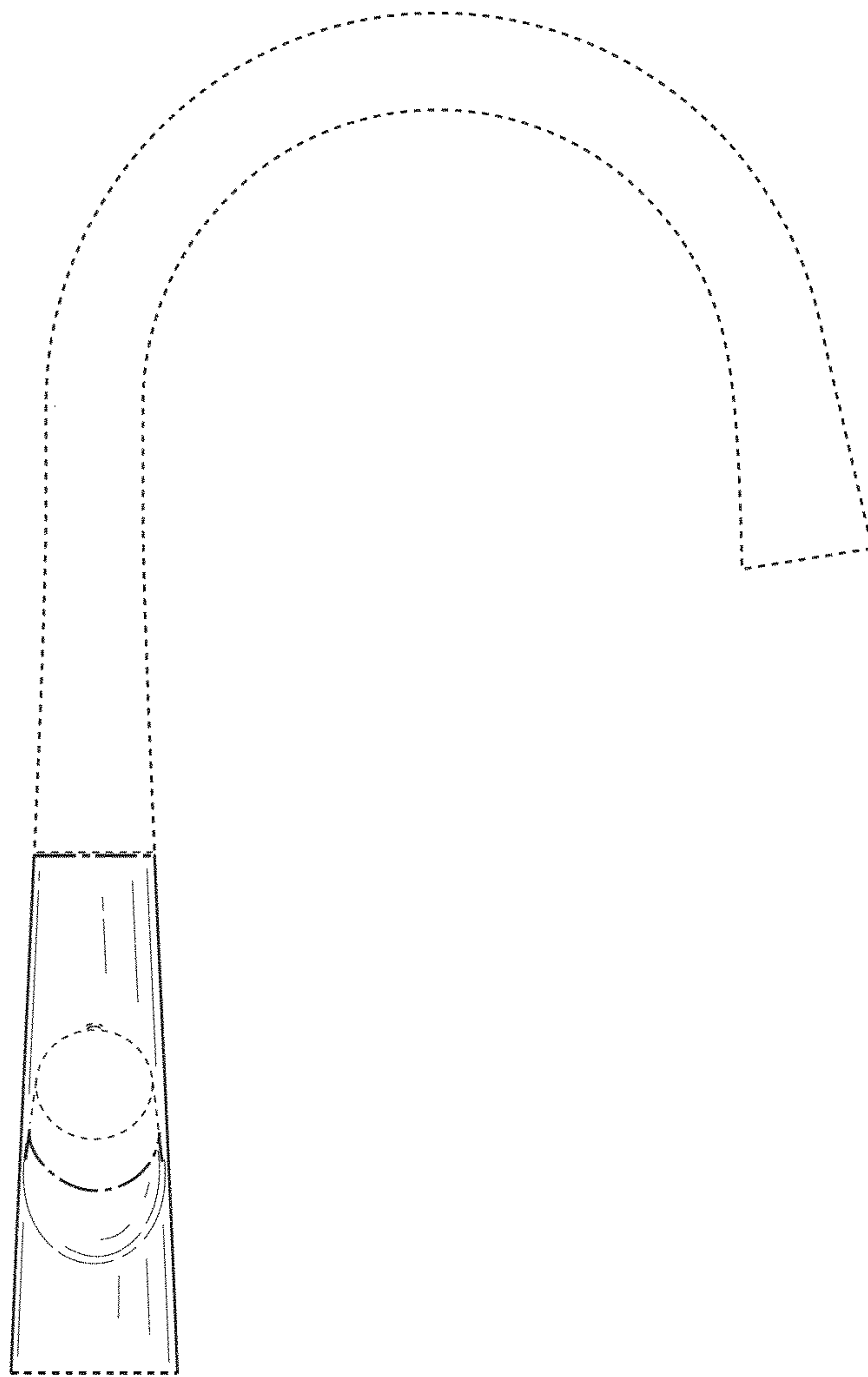


FIG. 7