



US00D821546S

(12) **United States Design Patent** (10) **Patent No.:** **US D821,546 S**
Fletcher et al. (45) **Date of Patent:** **** Jun. 26, 2018**

(54) **ACTUATED VALVE**

(71) Applicants: **David E. Fletcher**, Flint, MI (US);
Brian M. Graichen, Leonard, MI (US);
James H. Miller, Ortonville, MI (US);
Rex Bravo, Detroit, MI (US); **Keith Hampton**, Ann Arbor, MI (US);
Matthew C. Gilmer, Whitmore Lake, MI (US); **Andrew D. Niedert**, New Hudson, MI (US); **Nicole Bruder**, Harrison Township, MI (US)

(72) Inventors: **David E. Fletcher**, Flint, MI (US);
Brian M. Graichen, Leonard, MI (US);
James H. Miller, Ortonville, MI (US);
Rex Bravo, Detroit, MI (US); **Keith Hampton**, Ann Arbor, MI (US);
Matthew C. Gilmer, Whitmore Lake, MI (US); **Andrew D. Niedert**, New Hudson, MI (US); **Nicole Bruder**, Harrison Township, MI (US)

(73) Assignee: **DAYCO IP HOLDINGS, LLC**, Troy, MI (US)

(**) Term: **15 Years**

(21) Appl. No.: **29/622,740**

(22) Filed: **Oct. 19, 2017**

Related U.S. Application Data

(60) Continuation of application No. 29/591,034, filed on Jan. 16, 2017, now Pat. No. Des. 802,095, which is a division of application No. 29/533,486, filed on Jul. 17, 2015, now Pat. No. Des. 780,296.

(51) **LOC (11) Cl.** **23-01**

(52) **U.S. Cl.**
USPC **D23/233**

(58) **Field of Classification Search**

USPC D23/233-237, 244-249; 137/301, 137/315.18, 486, 487.5, 599.05, 601.14, 137/554; 251/129.15, 129.01, 129.11, 62, 251/327, 213, 324
CPC ... F16K 31/0675; F16K 31/082; F16K 3/0254
See application file for complete search history.

(56) **References Cited**

U.S. PATENT DOCUMENTS

D780,296 S 2/2017 Fletcher et al.
9,574,677 B2 2/2017 Fletcher et al.
9,599,234 B1 3/2017 Fletcher et al.
9,599,246 B2 3/2017 Fletcher et al.

(Continued)

Primary Examiner — Cynthia Ramirez

Assistant Examiner — Gino Colan

(74) *Attorney, Agent, or Firm* — FisherBroyles, LLP;
Susan M. Oiler

(57) **CLAIM**

The ornamental design for an actuated valve, as shown and described.

DESCRIPTION

FIG. 1 is a front perspective view for an actuated valve showing our new design;

FIG. 2 is a front elevation view of the actuated valve thereof;

FIG. 3 is a rear elevation view of the actuated valve thereof;

FIG. 4 is a left-side elevation view of the actuated valve thereof;

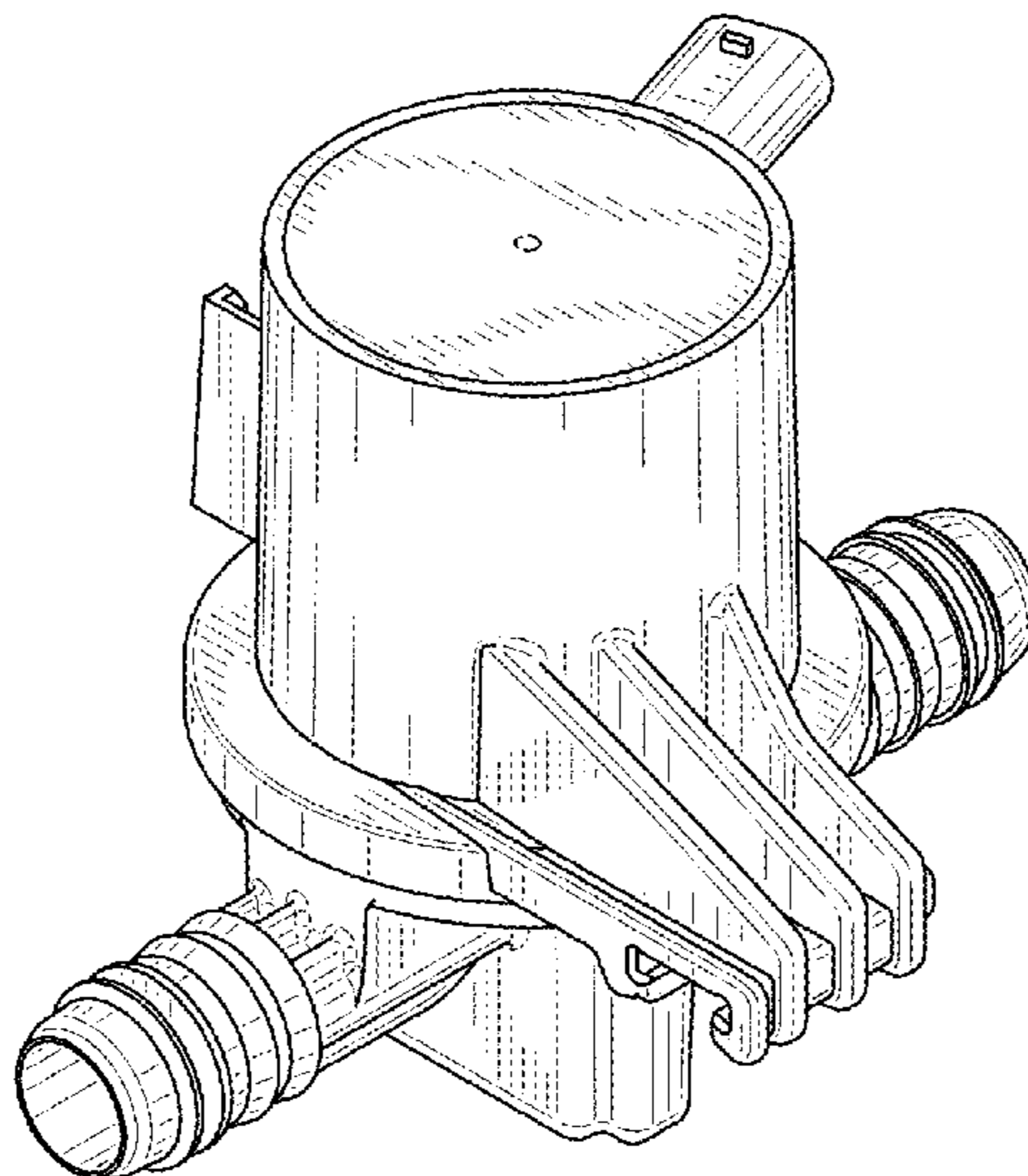
FIG. 5 is a right-side elevation view of the actuated valve thereof;

FIG. 6 is a top view of the actuated valve thereof; and,

FIG. 7 is a bottom view of the actuated valve thereof.

The broken lines shown in the figures are included for the purpose of illustrating portions of the actuated valve and form no part of the claimed design.

1 Claim, 4 Drawing Sheets



(56)

References Cited

U.S. PATENT DOCUMENTS

D802,095 S * 11/2017 Fletcher D23/233
2014/0197345 A1 7/2014 Graichen et al.
2014/0353534 A1 12/2014 Graichen et al.
2015/0060709 A1 3/2015 Fletcher et al.
2015/0090355 A1 4/2015 Fletcher et al.
2015/0345517 A1 12/2015 Fletcher et al.

* cited by examiner

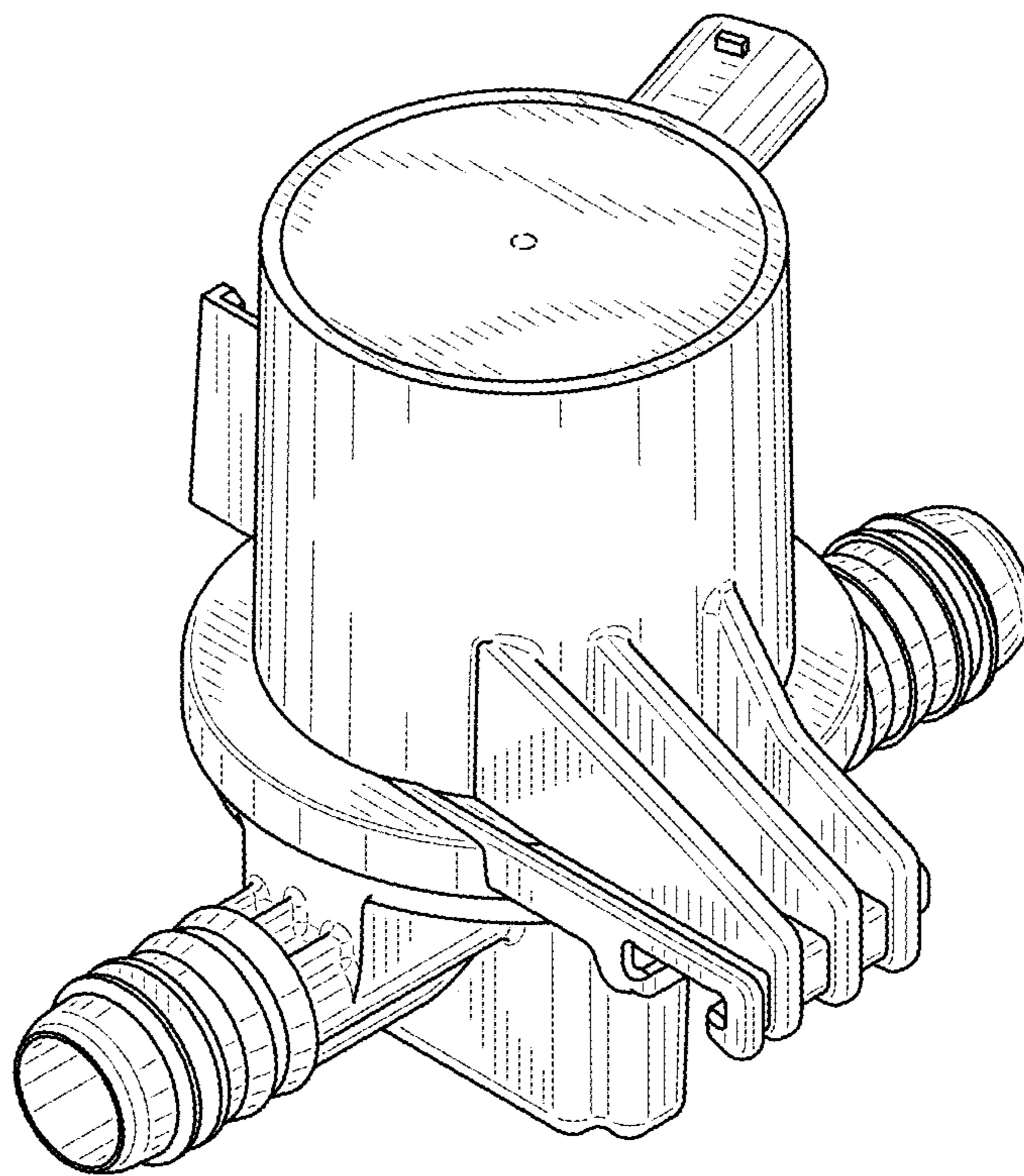


FIG. 1

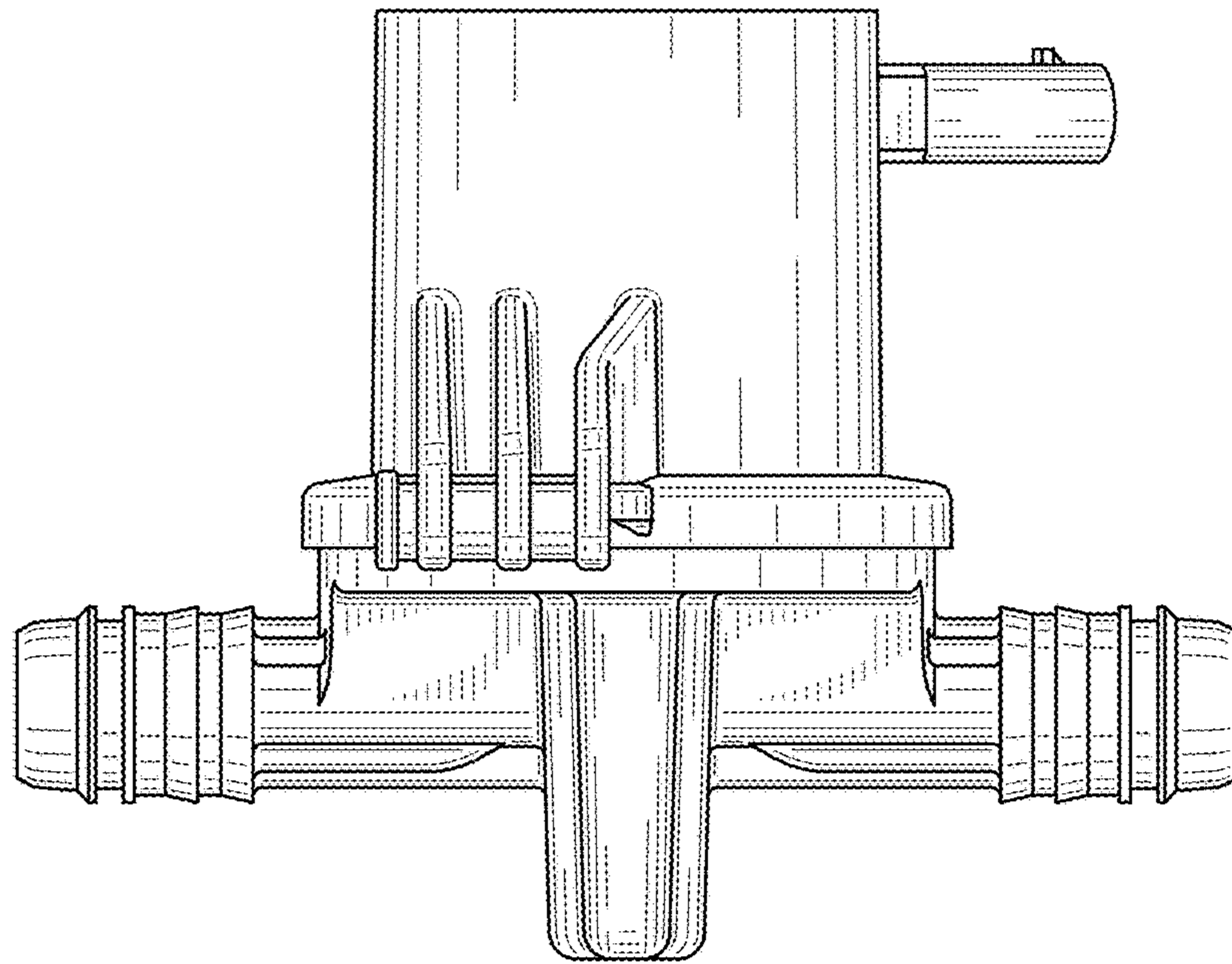


FIG. 2

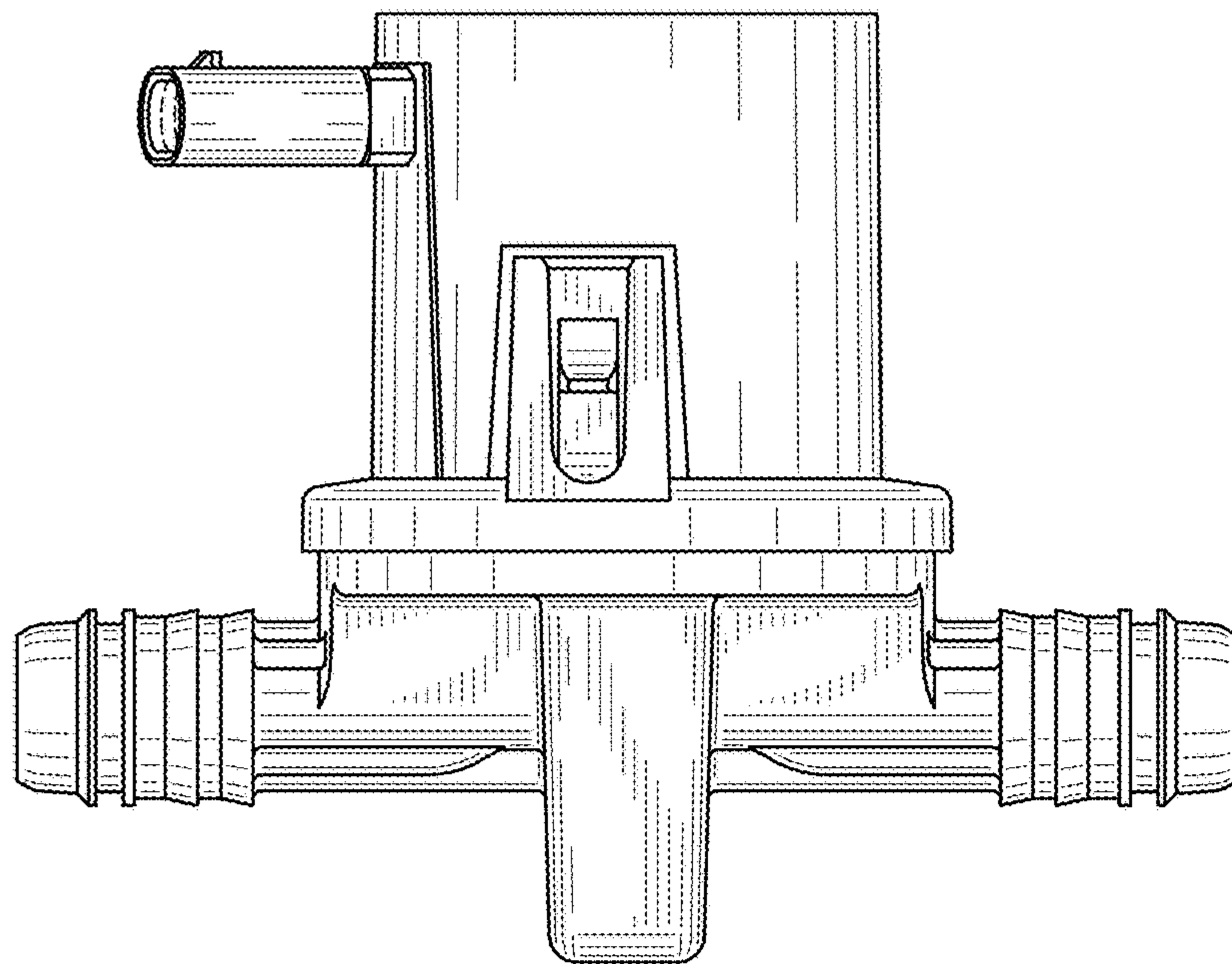


FIG. 3

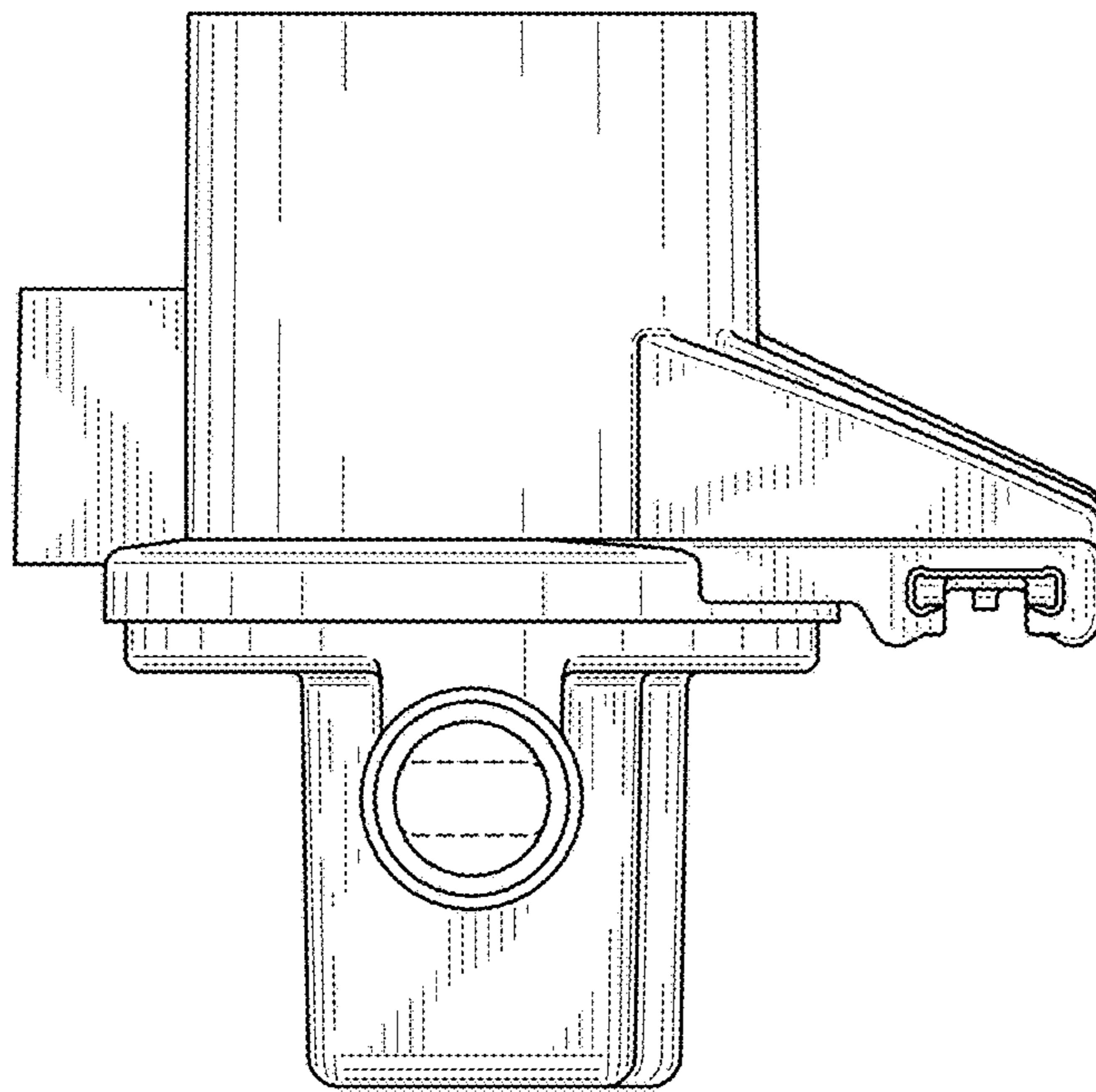


FIG. 4

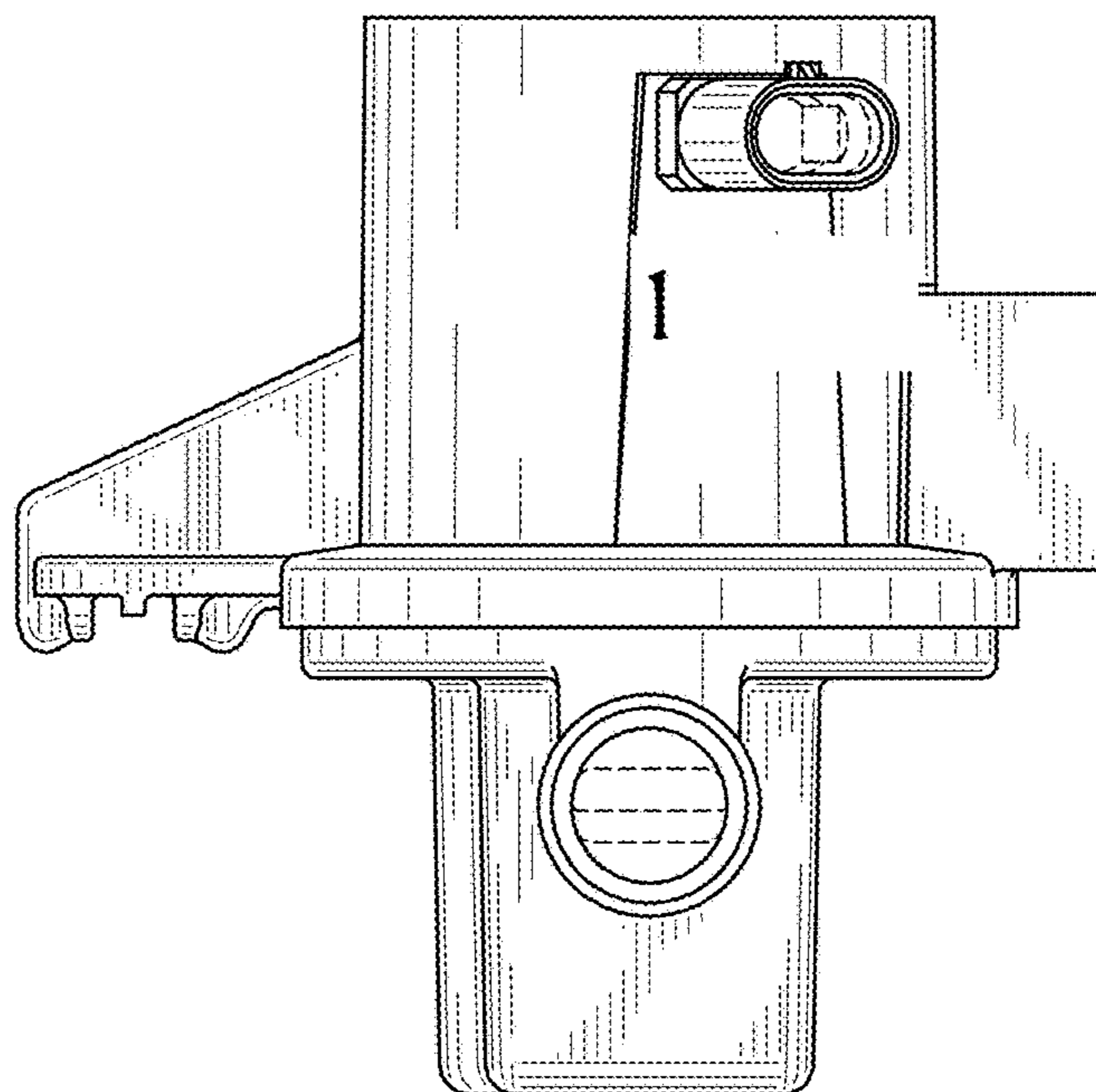


FIG. 5

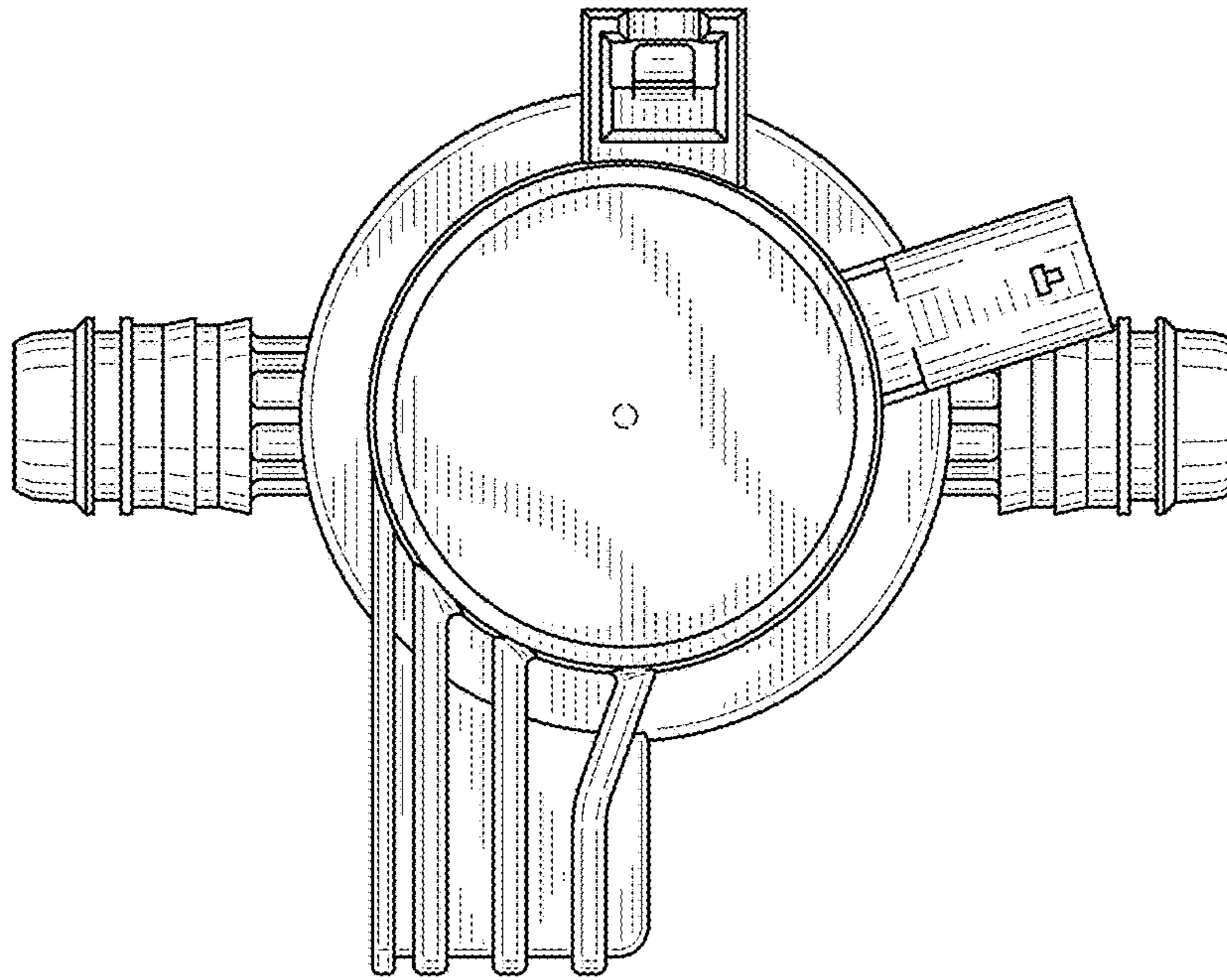


FIG. 6

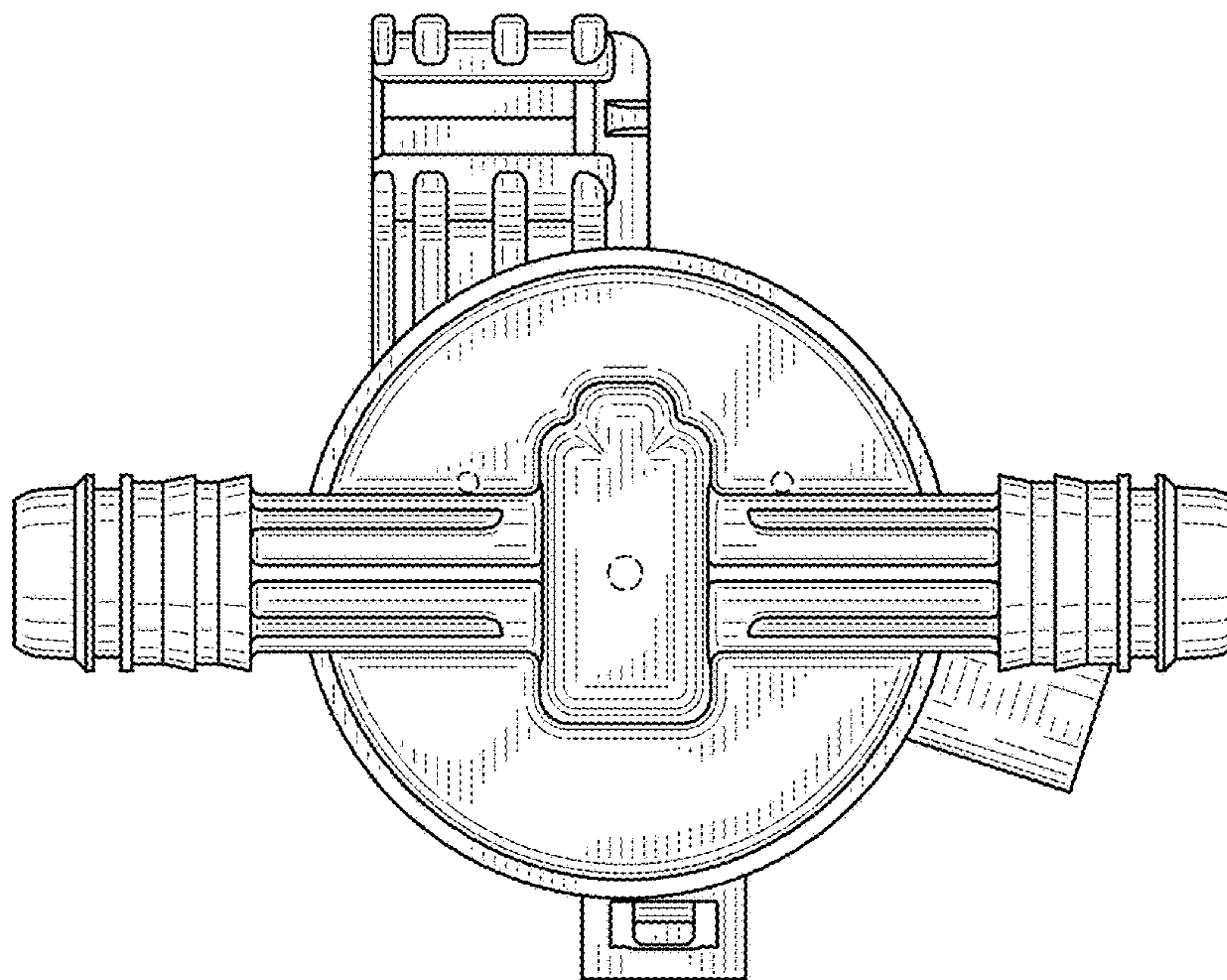


FIG. 7