



US00D821545S

(12) **United States Design Patent**
Gehrung

(10) **Patent No.:** **US D821,545 S**
(45) **Date of Patent:** **** Jun. 26, 2018**

(54) **LOW OVER-SPRAY SPRAY GUN FOR PAINT OR SIMILAR ARTICLE**

D545,943 S *	7/2007	Rodgers	D23/226
D674,880 S *	1/2013	Schmon	D23/226
8,360,345 B2 *	1/2013	Micheli	B05B 13/00
				239/525
D725,743 S *	3/2015	Richter	D23/226
9,399,232 B2 *	7/2016	Hasselschwert	B05B 5/03
D764,628 S *	8/2016	Tullney	D23/226
D767,095 S *	9/2016	Kuznik	D23/225
9,433,953 B2 *	9/2016	Ghesla	B05B 5/03
D801,477 S *	10/2017	Mazur	D23/226

(71) Applicant: **SATA GmbH & Co. KG,**
Kornwestheim (DE)

(72) Inventor: **Ralf Gehrung,** Backnang (DE)

(73) Assignee: **SATA GmbH & Co. KG,**
Kornwestheim (DE)

* cited by examiner

(**) Term: **15 Years**

Primary Examiner — Robin V Webster

(21) Appl. No.: **29/594,498**

(74) *Attorney, Agent, or Firm* — John S. Artz; Dickinson Wright PLLC

(22) Filed: **Feb. 19, 2017**

(30) **Foreign Application Priority Data**

Aug. 19, 2016 (EM) 003346345

(51) **LOC (11) Cl.** **23-01**

(52) **U.S. Cl.**
USPC **D23/226**

(58) **Field of Classification Search**
USPC D23/213, 223, 226, 225; 239/525, 526,
239/291

CPC B05B 1/00; B05B 9/01; B05B 15/061;
B05B 3/00; B05B 5/00; B05B 1/005;
B05B 13/005; B05B 1/3026

See application file for complete search history.

(56) **References Cited**

U.S. PATENT DOCUMENTS

5,370,314 A *	12/1994	Gebauer	B05B 9/01
				239/526
D457,599 S *	5/2002	Karwoski	D23/226

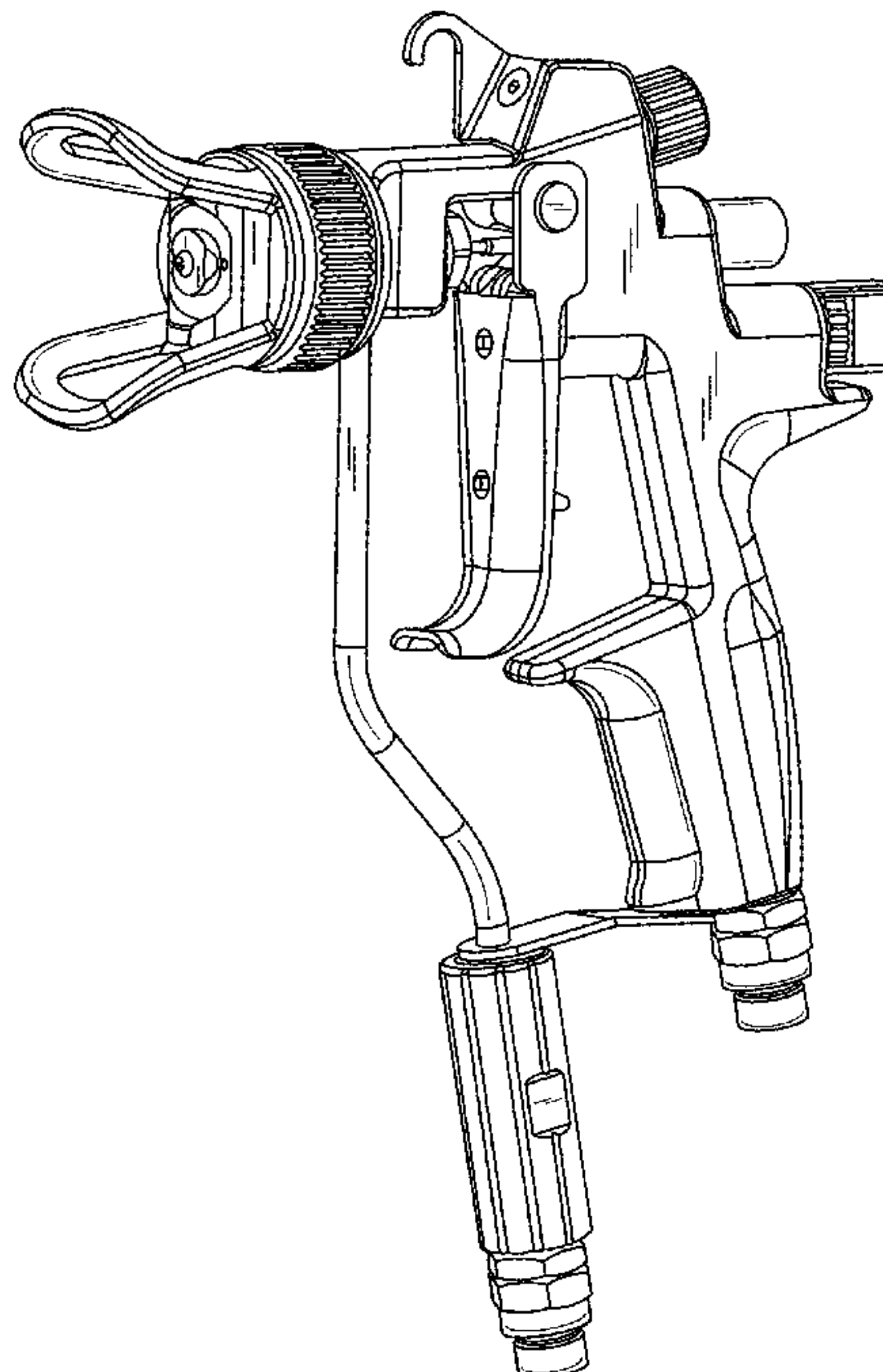
(57) **CLAIM**

The ornamental design for a low over-spray spray gun for paint or similar article, as shown and described.

DESCRIPTION

FIG. 1 is a top and left side perspective view of a spray gun in accordance with the present design;
FIG. 2 is a left side elevational view thereof;
FIG. 3 is a right side elevational view thereof;
FIG. 4 is a front elevational view thereof;
FIG. 5 is a rear elevational view thereof;
FIG. 6 is a top plan view thereof; and,
FIG. 7 is a bottom plan view thereof.

1 Claim, 7 Drawing Sheets



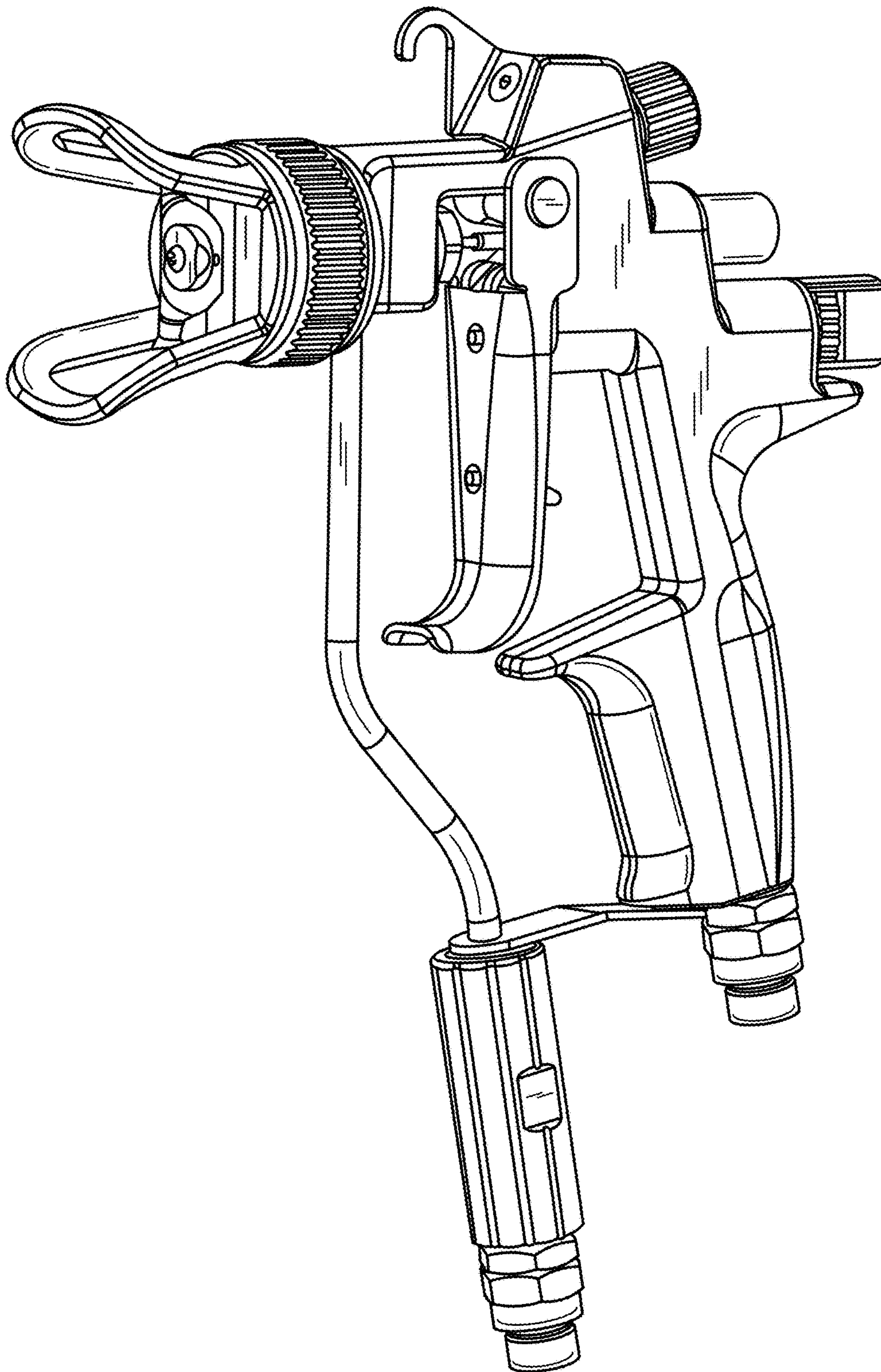


FIG. 1

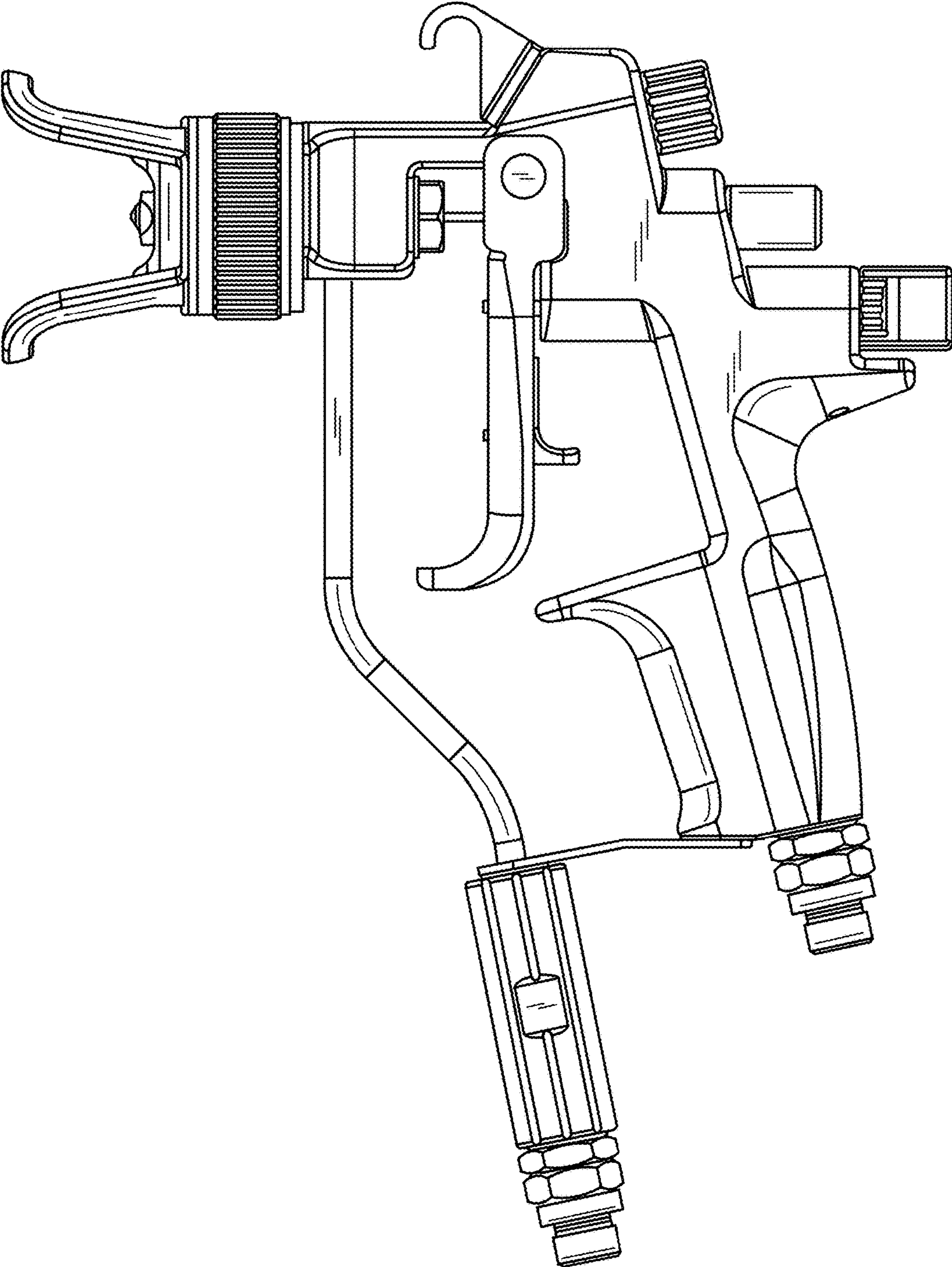


FIG. 2

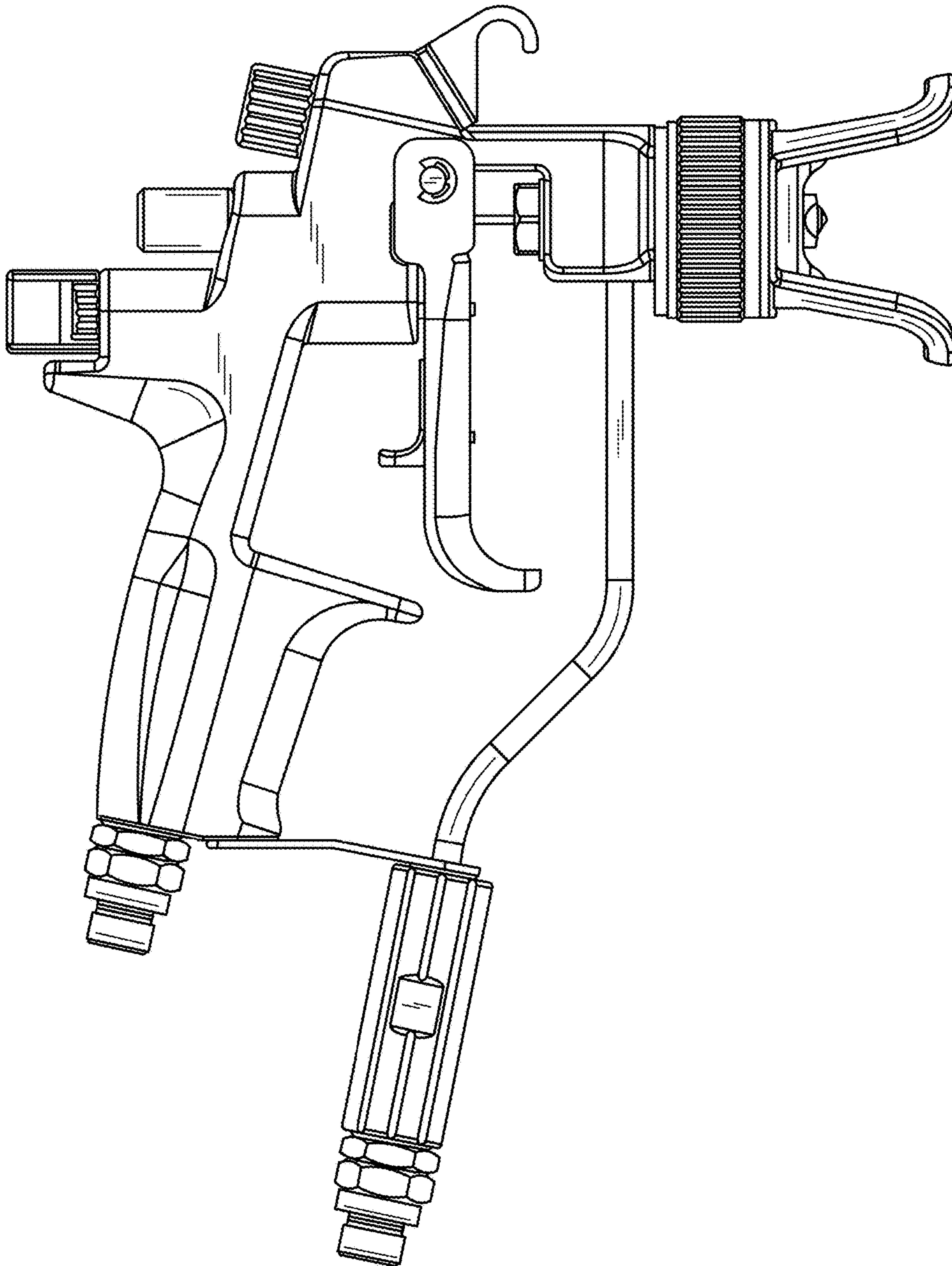


FIG. 3

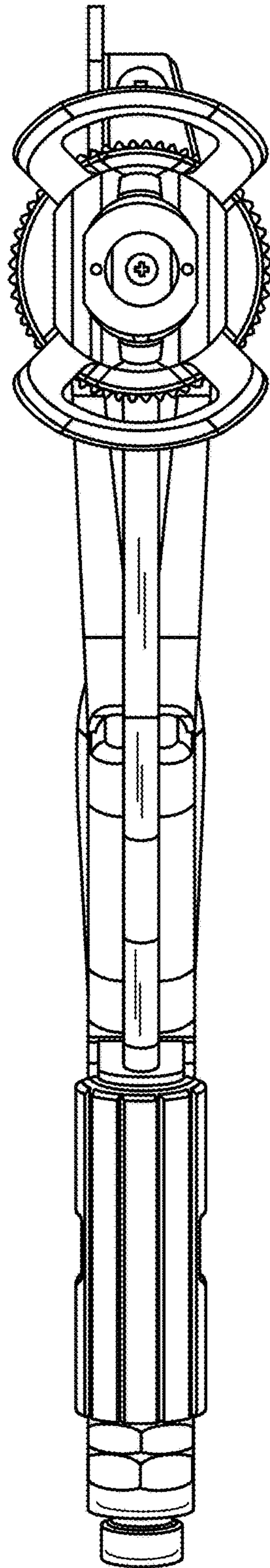


FIG. 4

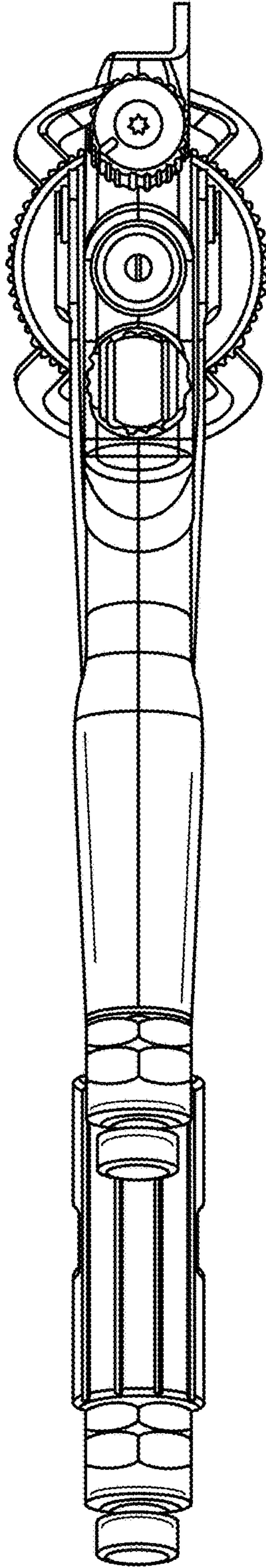


FIG. 5

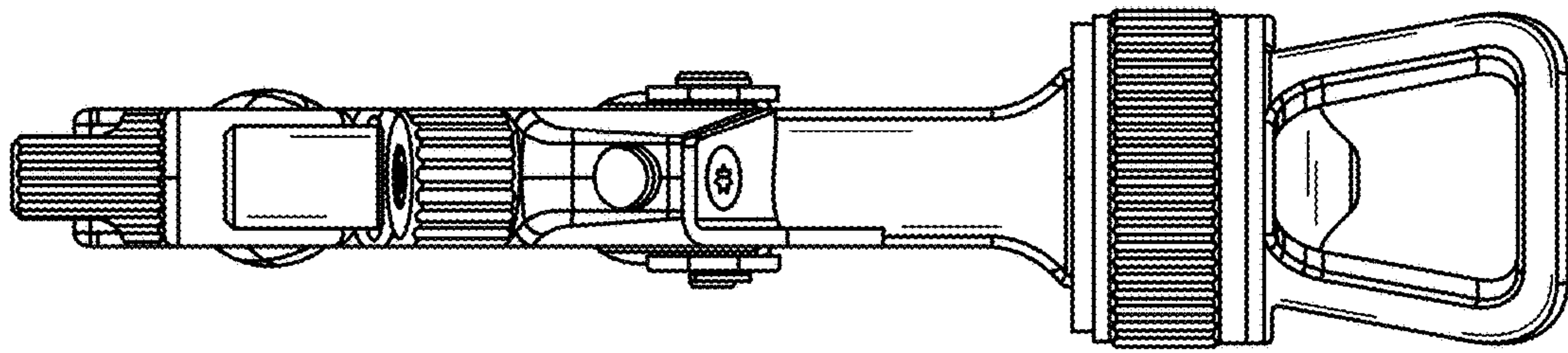


FIG. 6

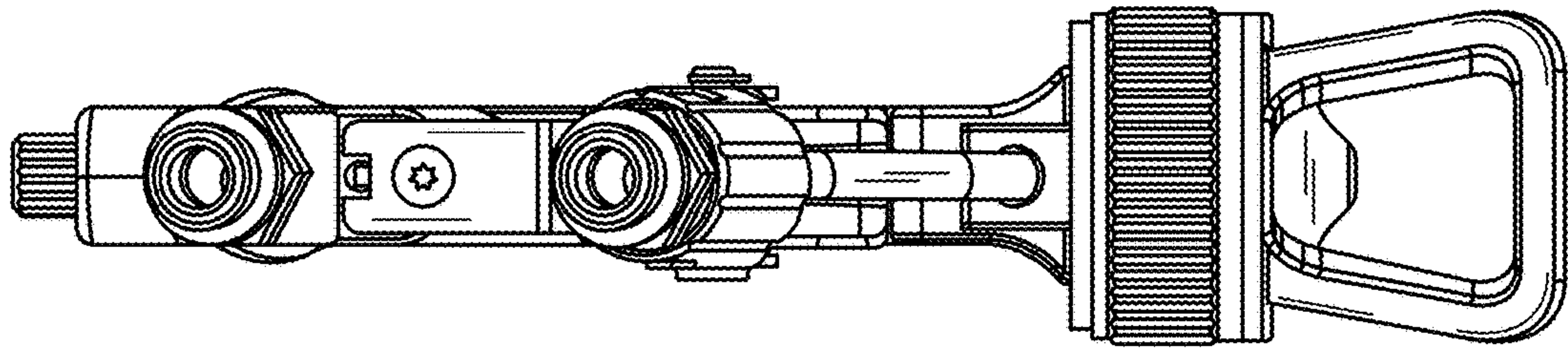


FIG. 7