



US00D821541S

(12) **United States Design Patent**
McDonnell

(10) **Patent No.:** **US D821,541 S**
(45) **Date of Patent:** **** Jun. 26, 2018**

(54) **DUAL SPRAYER**

(71) Applicant: **Joseph A. McDonnell**, Miramar, FL
(US)

(72) Inventor: **Joseph A. McDonnell**, Miramar, FL
(US)

(**) Term: **15 Years**

(21) Appl. No.: **29/550,105**

(22) Filed: **Dec. 30, 2015**

(51) **LOC (11) Cl.** **23-01**

(52) **U.S. Cl.**
USPC **D23/213; D23/225**

(58) **Field of Classification Search**
USPC D9/414, 415, 420, 426, 428, 429, 434,
D9/435, 443-450, 452-457, 499, 682,
(Continued)

(56) **References Cited**

U.S. PATENT DOCUMENTS

2,719,704 A 10/1955 Anderson et al.
3,291,395 A 12/1966 Sharp
(Continued)

FOREIGN PATENT DOCUMENTS

DE 202011051147 U1 10/2011
GB 2004561 A 4/1979

OTHER PUBLICATIONS

“Off Bug Control,” <http://www.off.com/en-US/Products/Pages/OFF-Backyard.aspx> (Accessed Dec. 10, 2015).
(Continued)

Primary Examiner — Karen S Acker
Assistant Examiner — Wendy L Arminio

(74) *Attorney, Agent, or Firm* — Harness, Dickey & Pierce, P.L.C.

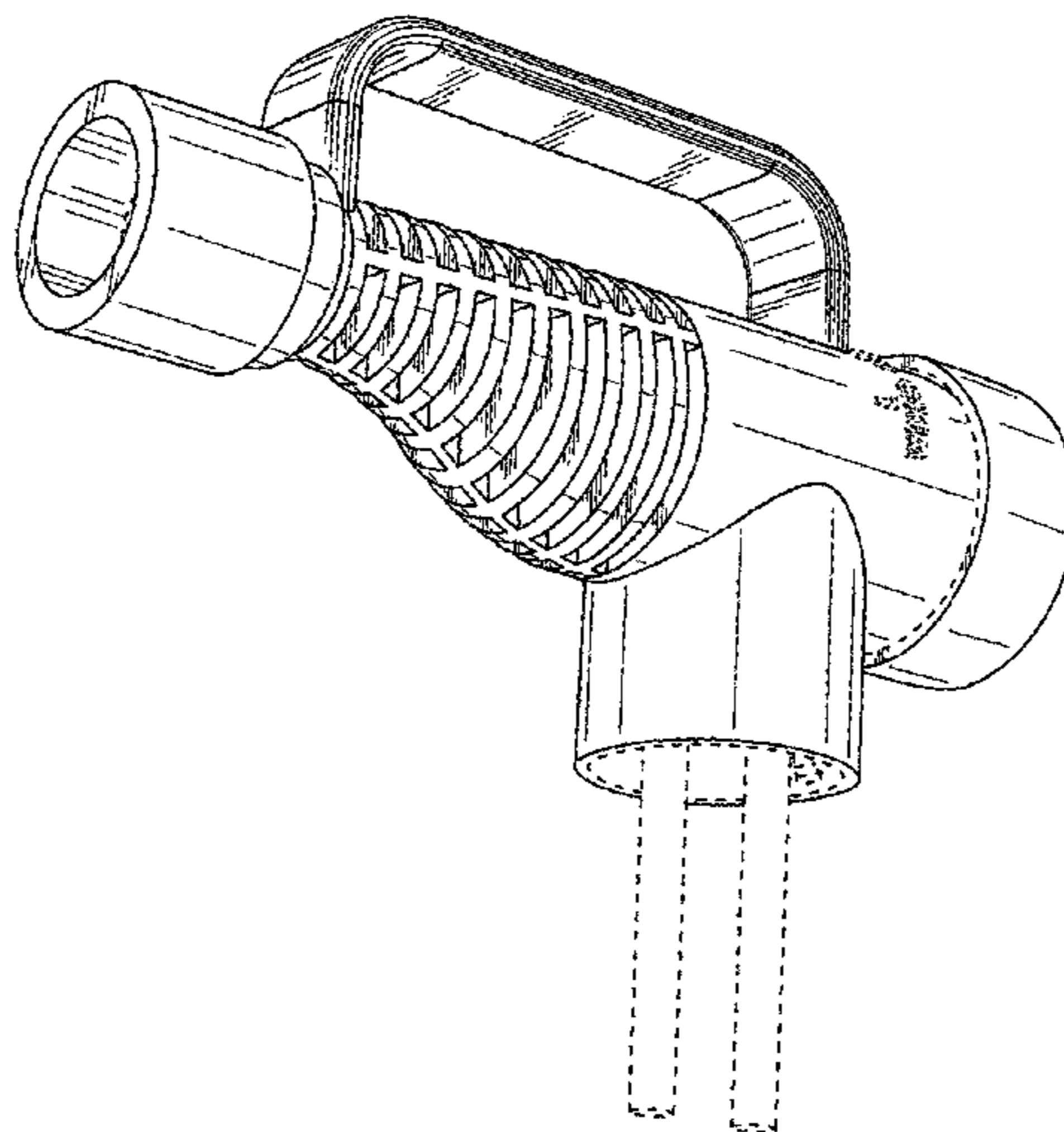
(57) **CLAIM**

The ornamental design for a dual sprayer, as shown and described.

DESCRIPTION

FIG. 1 is a left side view of a dual sprayer showing my new design;
FIG. 2 is a right side view of the dual sprayer shown in FIG. 1;
FIG. 3 is a top view of the dual sprayer shown in FIG. 1;
FIG. 4 is a bottom view of the dual sprayer shown in FIG. 1;
FIG. 5 is a front view of the dual sprayer shown in FIG. 1;
FIG. 6 is a rear view of the dual sprayer shown in FIG. 1;
FIG. 7 is a lower, right side perspective view of the dual sprayer shown in FIG. 1;
FIG. 8 is a bottom, right side perspective view of the dual sprayer shown in FIG. 1;
FIG. 9 is an upper left side perspective view of the dual sprayer shown in FIG. 1;
FIG. 10 is a left side view of the dual sprayer shown in FIG. 1, attached to a dual chamber bottle drawn in broken lines;
FIG. 11 is a left side view of the dual sprayer shown in FIG. 1, attached to another dual chamber bottle drawn in broken lines; and,
FIG. 12 is a left side view of the dual sprayer shown in FIG. 1, attached to another dual chamber bottle drawn in broken lines.
The broken lines adjacent to the shaded areas form a boundary to the claim. The broken lines illustrating the interiors of the front, rear and bottom of the dual sprayer in FIGS. 1-9 depict portions of the article that form no part of the claimed design. The text in broken lines around the top of the dual sprayer is not included in the claim. The broken lines in FIGS. 10-12 depict environmental subject matter that forms no part of the claimed design.

1 Claim, 12 Drawing Sheets



(58) **Field of Classification Search**

USPC D9/685, 686, 451; D7/387, 392, 392.1, D7/393, 395, 396.2, 396.3, 396.4, 401.1, D7/507, 509–511, 538, 900; D3/202, D3/203.2, 318; D28/91.1; D23/213, 225
 CPC .. A61J 1/00; A61J 1/1412; B65D 1/00; B65D 1/02; B65D 1/10; B65D 1/46; B65D 2585/56; B65D 41/00; B65D 41/38; B65D 41/56; B65D 41/62; B65D 47/00; B65D 47/06; B65D 47/08; B65D 2543/00046; B65D 2543/00092; B65D 2543/00296; B65D 5/46; B65D 2251/00

See application file for complete search history.

D615,614 S 5/2010 Tullney et al.
 7,866,626 B1 1/2011 MacLean-Blevins
 D675,713 S 2/2013 Christensen
 D709,988 S 7/2014 Ford
 D742,999 S 11/2015 Moya et al.
 2004/0118944 A1* 6/2004 Amaduzzi B05B 7/12 239/310
 2004/0140372 A1* 7/2004 Englhard B05B 7/2443 239/318
 2004/0140373 A1 7/2004 Joseph et al.
 2006/0255180 A1 11/2006 Englhard et al.
 2011/0240763 A1 10/2011 Svendsen et al.

(56) **References Cited**

U.S. PATENT DOCUMENTS

D222,255 S * 10/1971 Schmedes et al. D23/225
 3,964,689 A * 6/1976 Horvath, Jr. B05B 7/2443 239/318
 D286,066 S * 10/1986 Goessling D23/213
 5,100,059 A * 3/1992 Englhard B05B 7/2448 222/484
 5,213,265 A 5/1993 Englhard et al.
 D339,407 S 9/1993 Miseta
 D339,408 S 9/1993 Dutcher
 D358,865 S * 5/1995 Englhard D23/213
 5,544,810 A 8/1996 Horvath, Jr. et al.
 5,887,761 A 3/1999 Foster et al.
 D441,832 S 5/2001 DiMatteo
 6,283,385 B1 9/2001 Beaver et al.
 6,378,785 B1 4/2002 Dodd
 6,425,534 B2* 7/2002 Ketcham B05B 7/2443 137/893
 6,471,141 B2 10/2002 Smith et al.
 D474,256 S * 5/2003 Hubmann D23/213
 6,604,546 B1 8/2003 Gilmore
 D480,124 S * 9/2003 Hubmann D23/213
 6,619,318 B2 9/2003 Dalhart et al.
 D498,289 S * 11/2004 Chen D23/225
 D519,602 S 4/2006 Dodd
 7,063,277 B2 6/2006 Englhard et al.
 D532,862 S 11/2006 Chung
 D533,918 S 12/2006 Dodd
 7,188,786 B2* 3/2007 Dodd B05B 7/2443 222/630
 7,237,728 B1* 7/2007 Laible A62C 13/76 239/310
 7,328,857 B2 2/2008 Englhard et al.
 7,407,117 B2 8/2008 Dodd
 7,513,442 B2 4/2009 Dodd
 7,631,819 B2 12/2009 Shanklin et al.
 7,661,604 B1 2/2010 MacLean-Blevins

OTHER PUBLICATIONS

“32oz Hose-End Sprayer Krud Kutter,” <https://www.fastenal.com/products/details/0611414> (Accessed Dec. 10, 2015).
 “Hose End Sprayer,” <http://sell.pakuya.com/product-info/191085/hose-end-sprayer.html> (Accessed Dec. 10, 2015).
 “Liquid Hose End Sprayer,” http://guiyo.en.alibaba.com/product/1793257365-221616123/Liquid_Hose_End_Sprayer.html (Accessed Dec. 10, 2015).
 “Fertilizing Feeder Hose End,” <https://www.chapinmfg.com/products/product:g405-fertilizing-feeder-hose-end> (Accessed Dec. 10, 2015).
 “Wet and Dry Hose End Sprayer,” <http://www.hardwarestore.com/wet-and-dry-hose-end-sprayer-628748.aspx> (Accessed Dec. 10, 2015).
 “32 oz Super Concentrated Non-Refillable Roof and Exterior Surface Cleaner with Hose Sprayer,” http://www.homedepot.com/p/Spray-Forget-32-oz-Super-Concentrated-Non-Refillable-Roof-and-Exterior-Surface-Cleaner-with-Hose-Sprayer-2-Pack-SFSRC-2Q/20208617?AID=10368321&PID=3348536&SID=popshops&cm_mmc=CJ_-3348536_-10368321&ci=true (Accessed Dec. 15, 2015).
 “E-Z House Wash Hose End 56 oz.,” <http://www.homearmor.com/product/e-z-wash-hose-end> (Accessed Jan. 2016).
 “Liquid-Plumr Clorox 17 oz.,” <http://www.harwareandtools.com/clorox-00216-liquid-plumr-17-ounce-foam-udjb-5169.html> (Accessed Dec. 10, 2015).
 “Resolve Oxi-Action Dual Power Pre-Treat Laundry Stain Remover,” <http://rbnainfo.com/productpro/ProductSearch.do?brandID=28&productLineID=502&searchType=PL&template=1> (Accessed Dec. 10, 2015).
 “Dual Chamber Sprayer Matrix ASR,” <http://www.jondon.com/dual-chamber-sprayer-for-matrix-asr.html> (Accessed Dec. 10, 2015).
 “Red Relief Stain Magic Dual Chamber Trigger Sprayer,” http://www.proschoice.com/html/red_r_dual_chamber.html (Accessed Dec. 10, 2015).
 “Liquid-Plumr Foaming Clog Fighter,” <https://www.liquidplumr.com/products/foaming-clog-fighter> (Accessed Dec. 10, 2015).

* cited by examiner

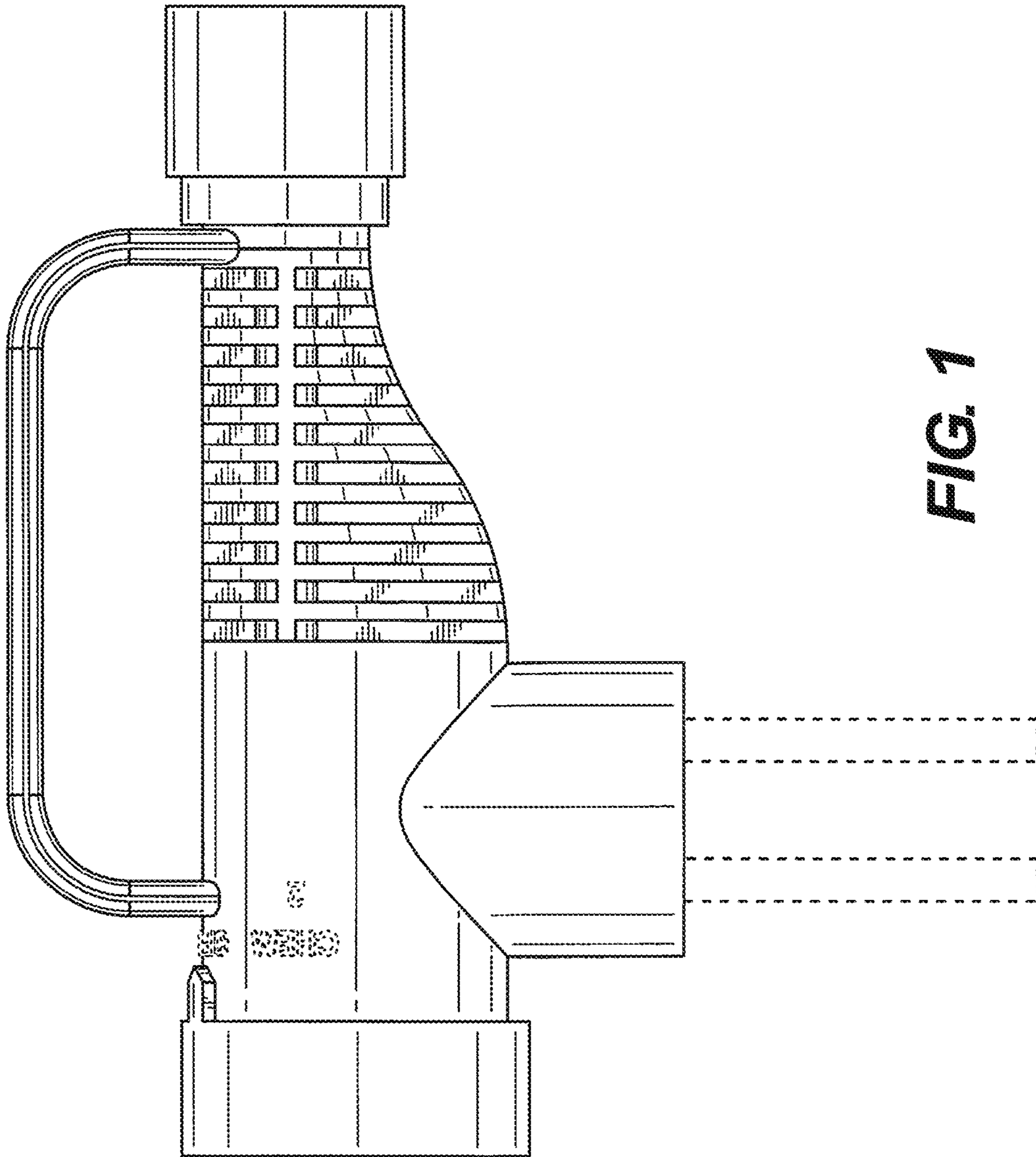


FIG. 1

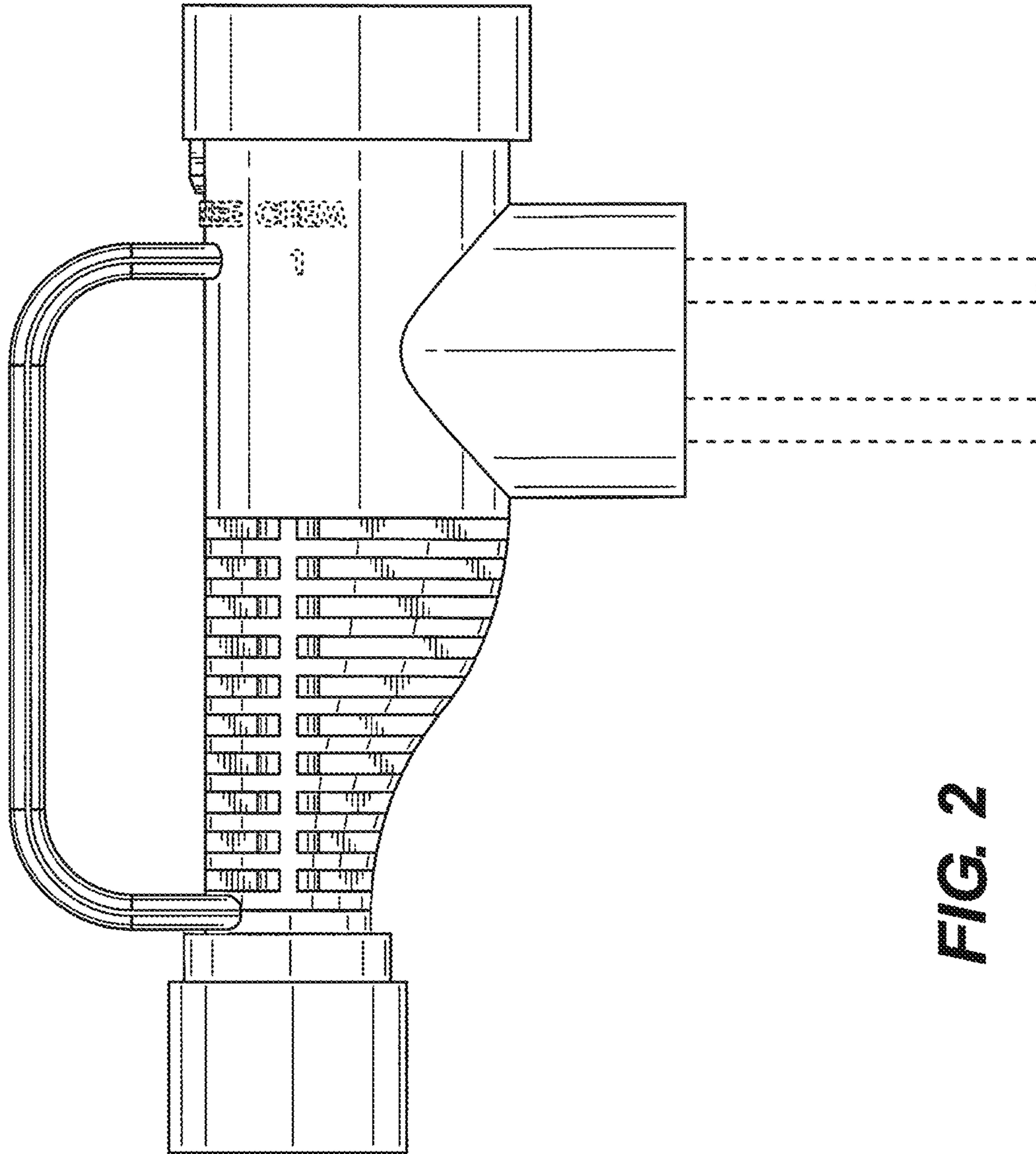


FIG. 2

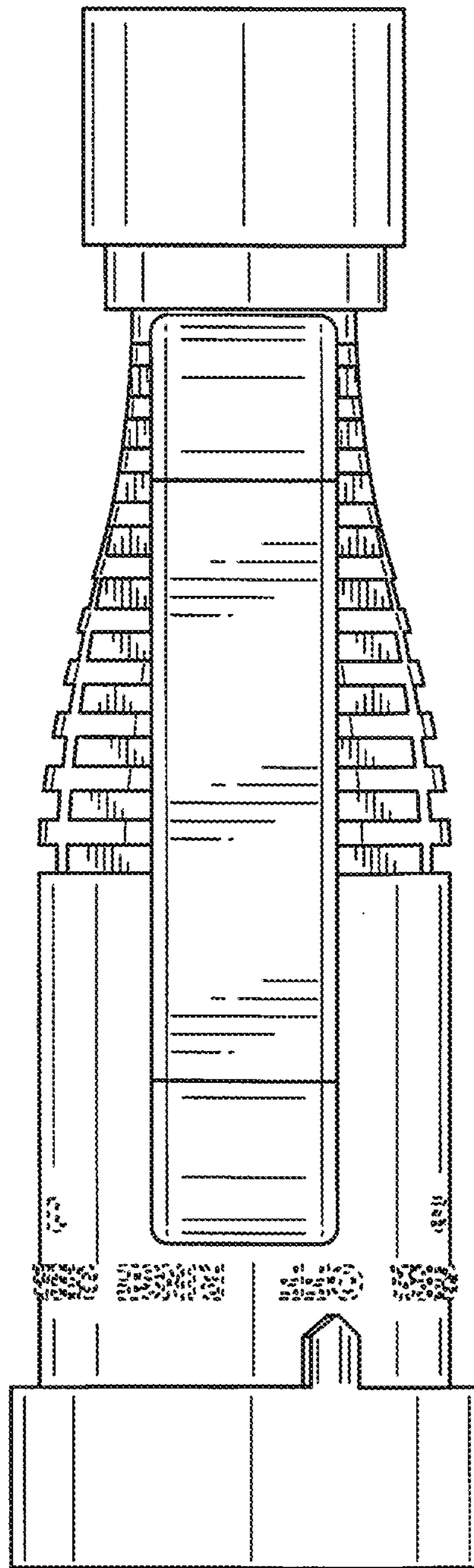


FIG. 3

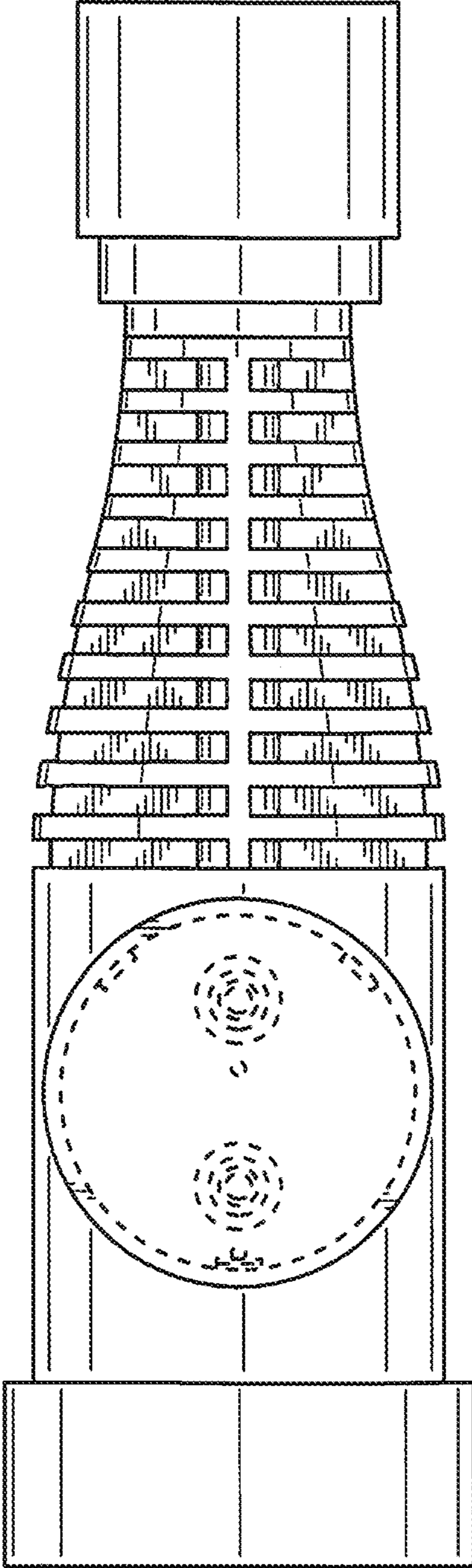


FIG. 4

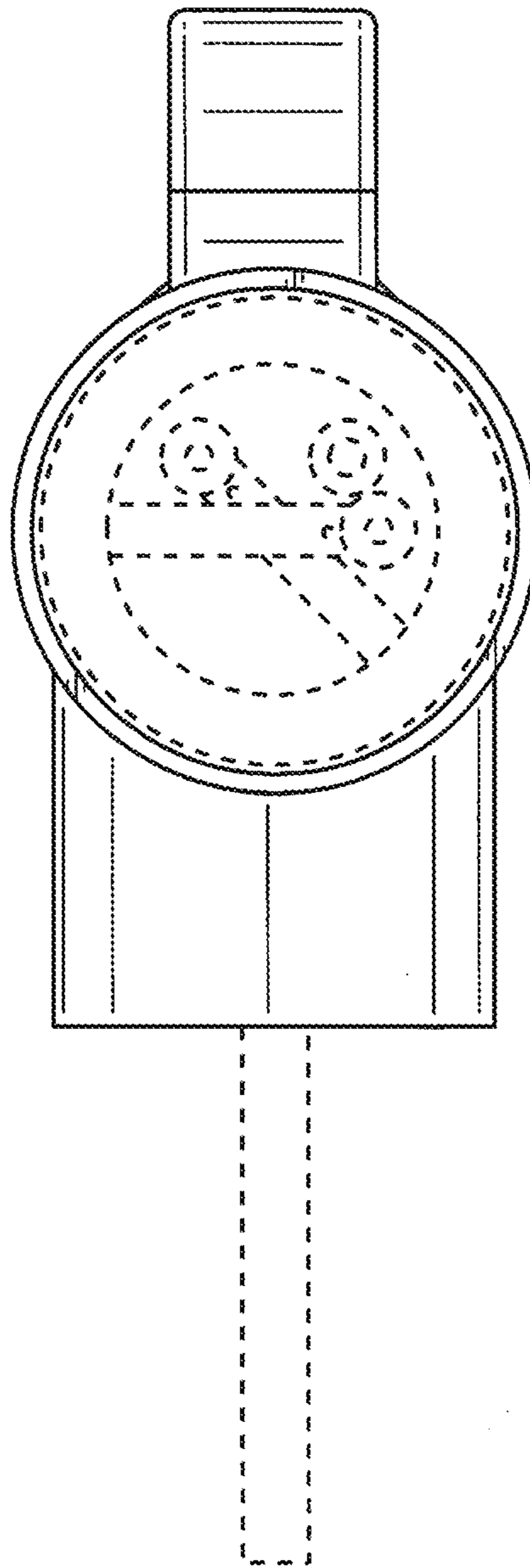


FIG. 5

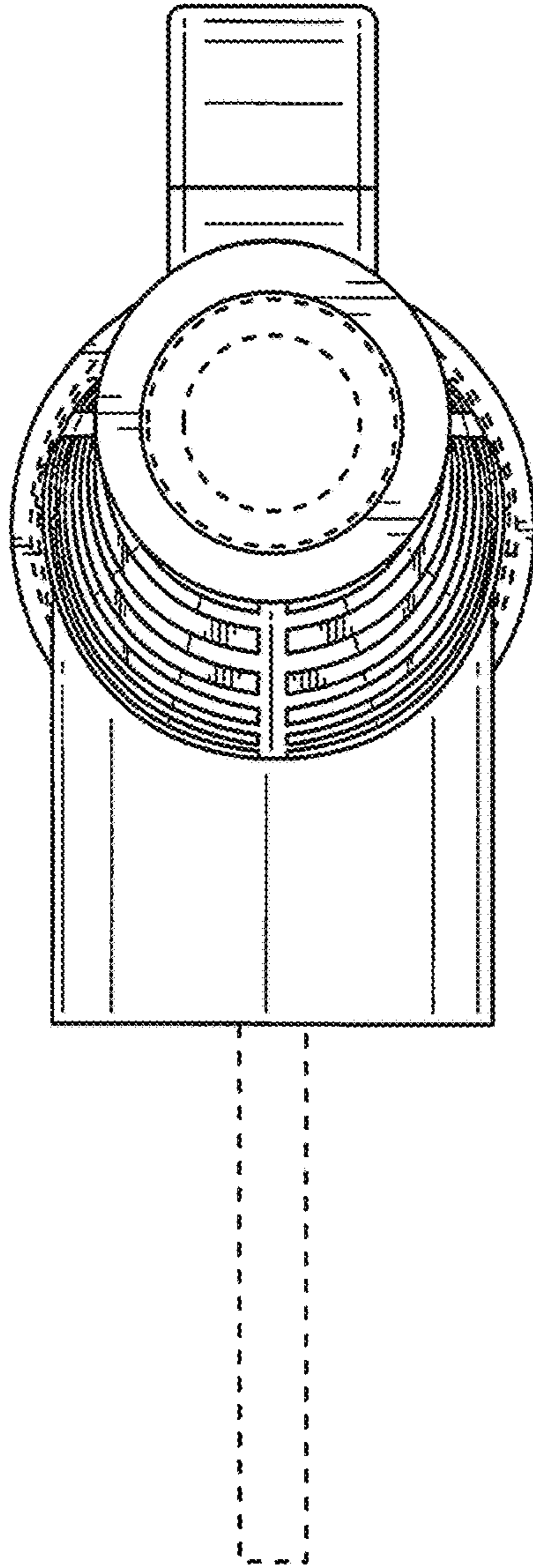


FIG. 6

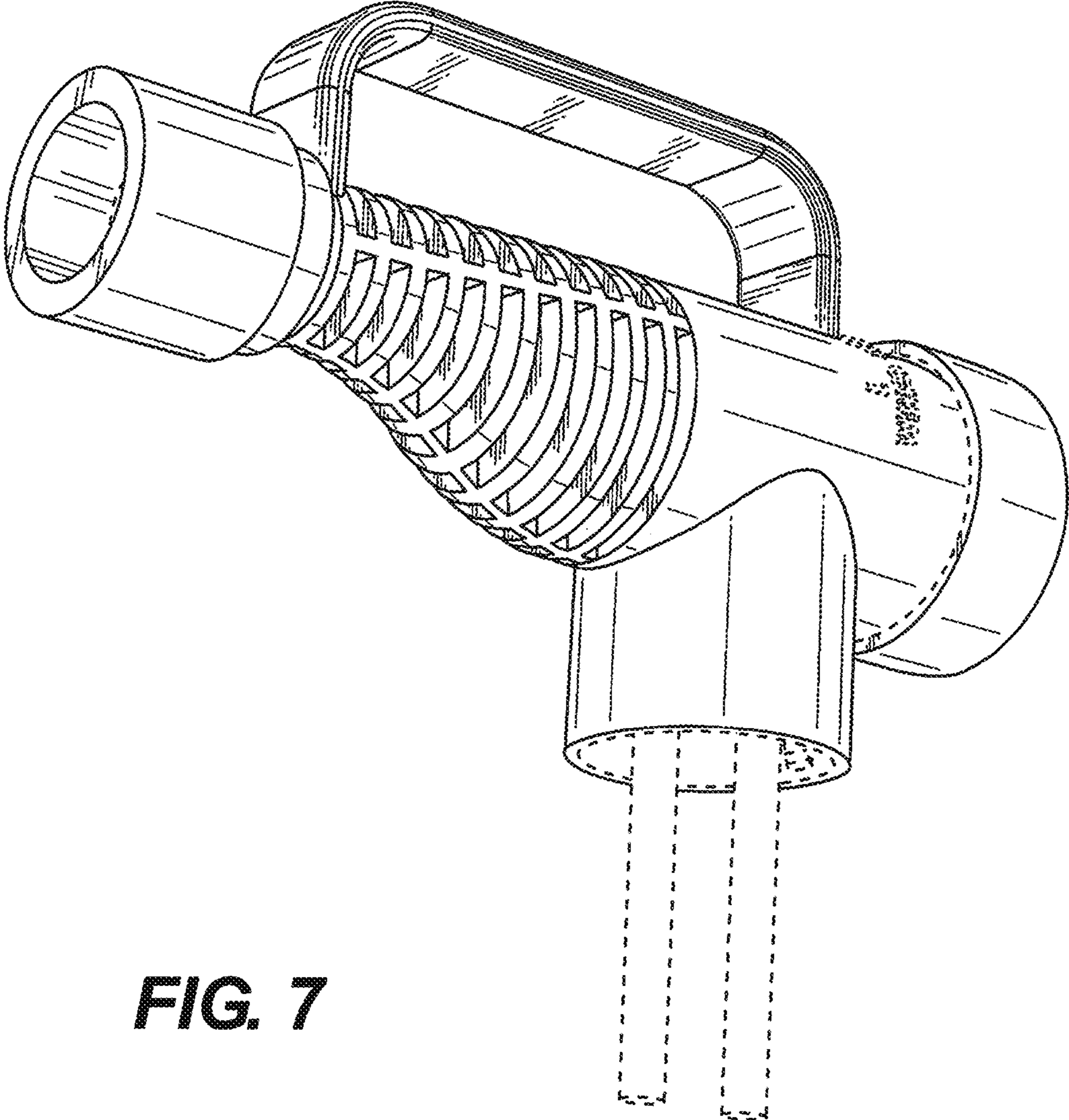


FIG. 7

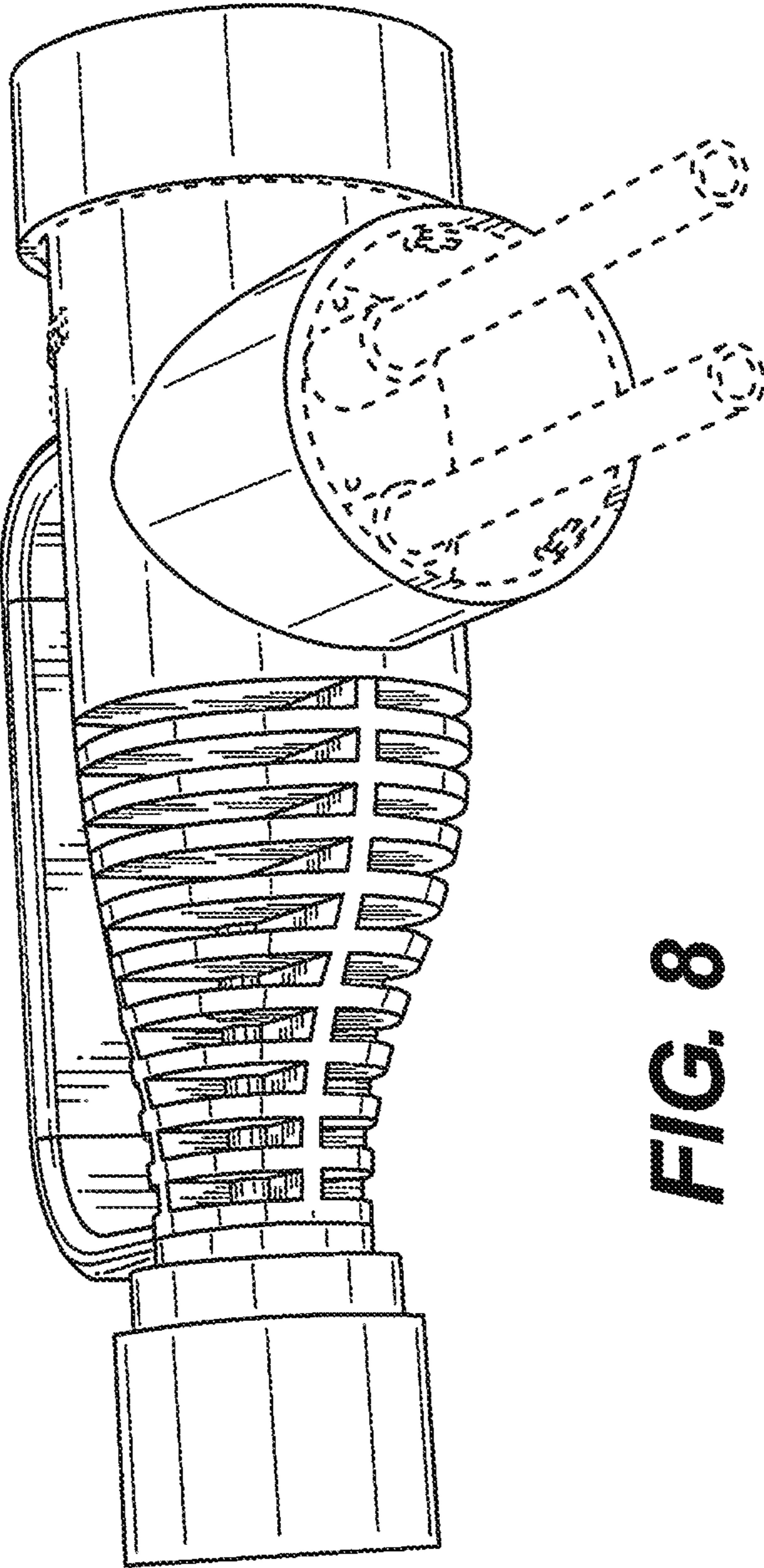
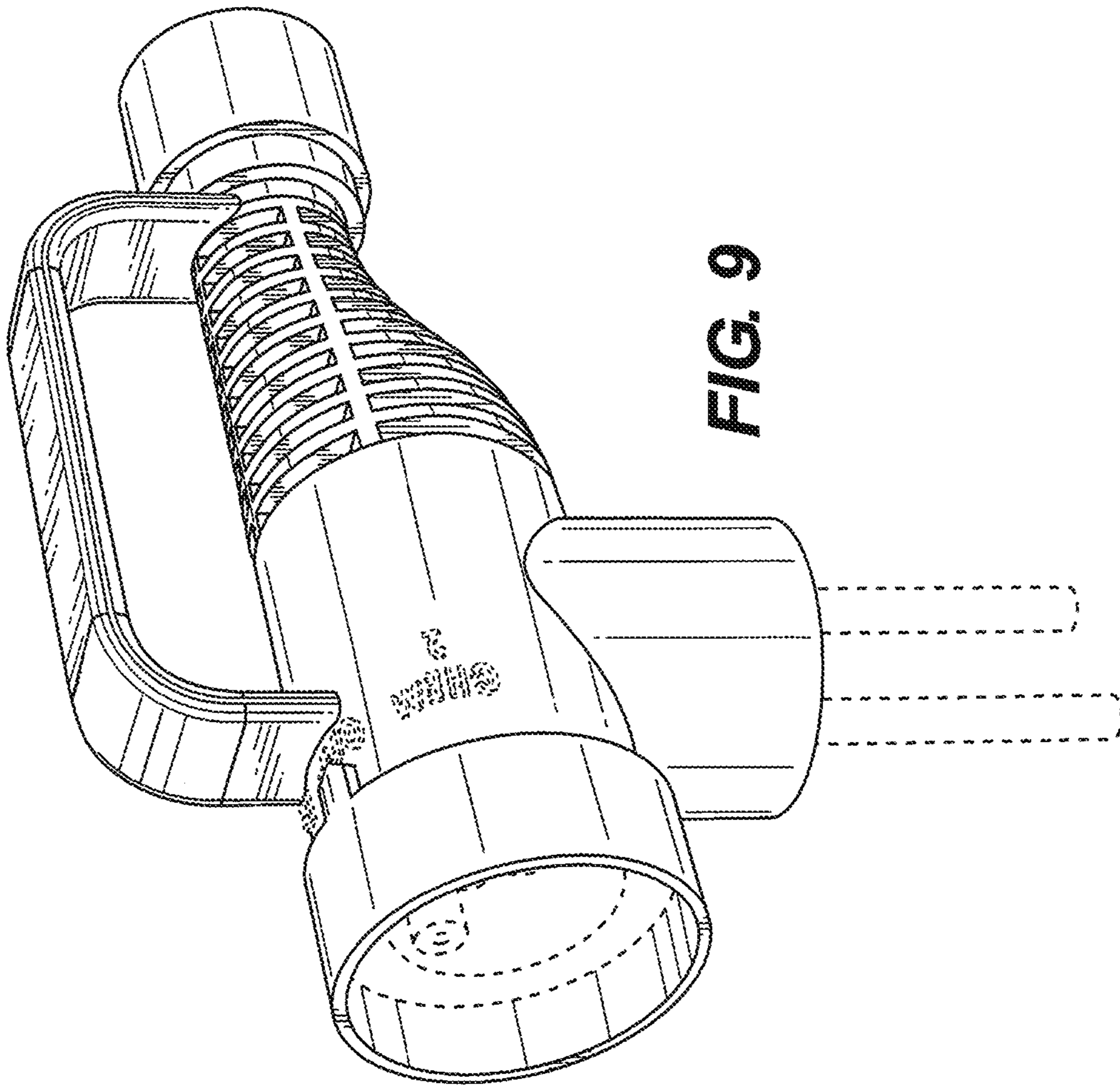


FIG. 8



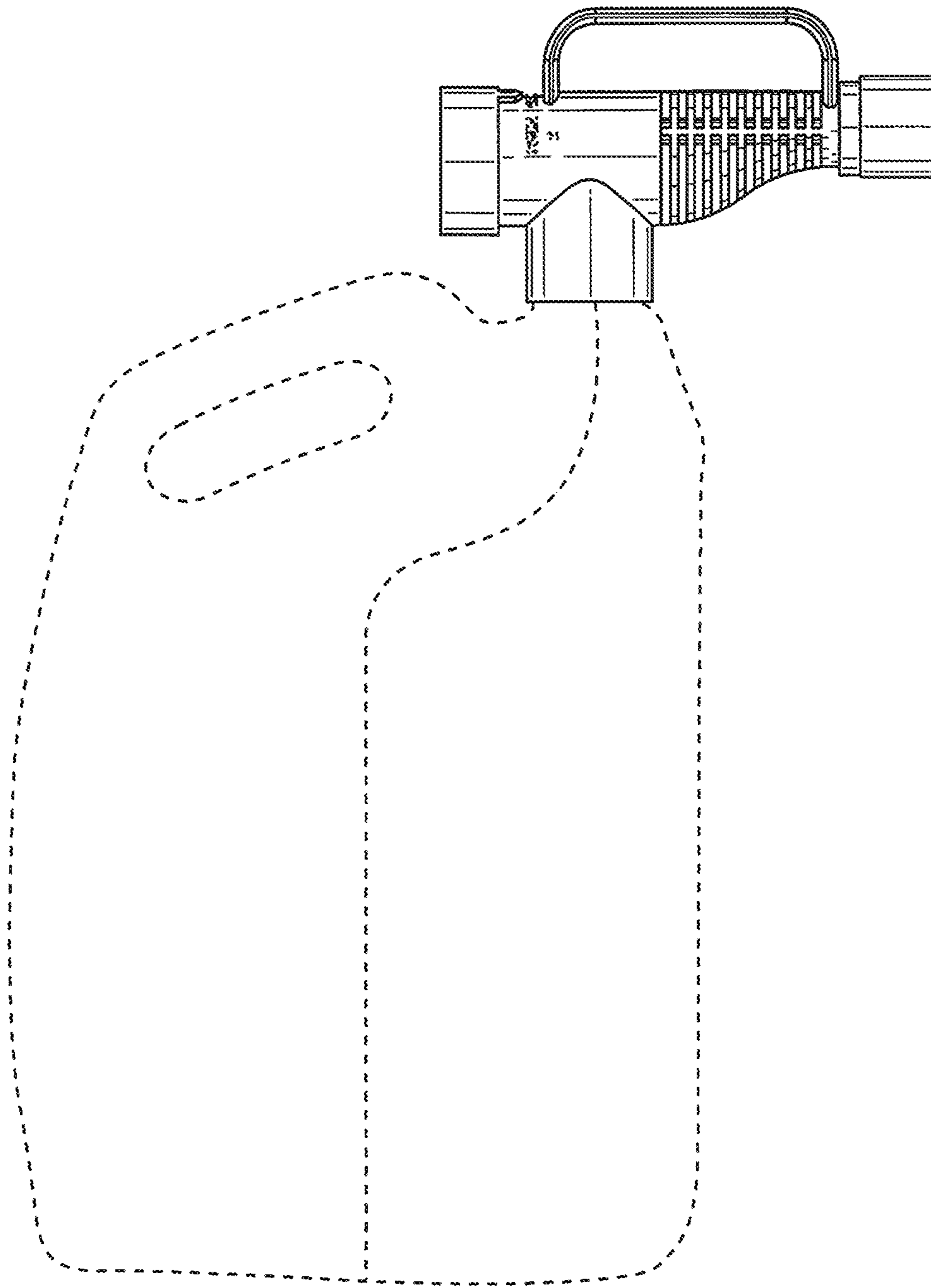


FIG. 10

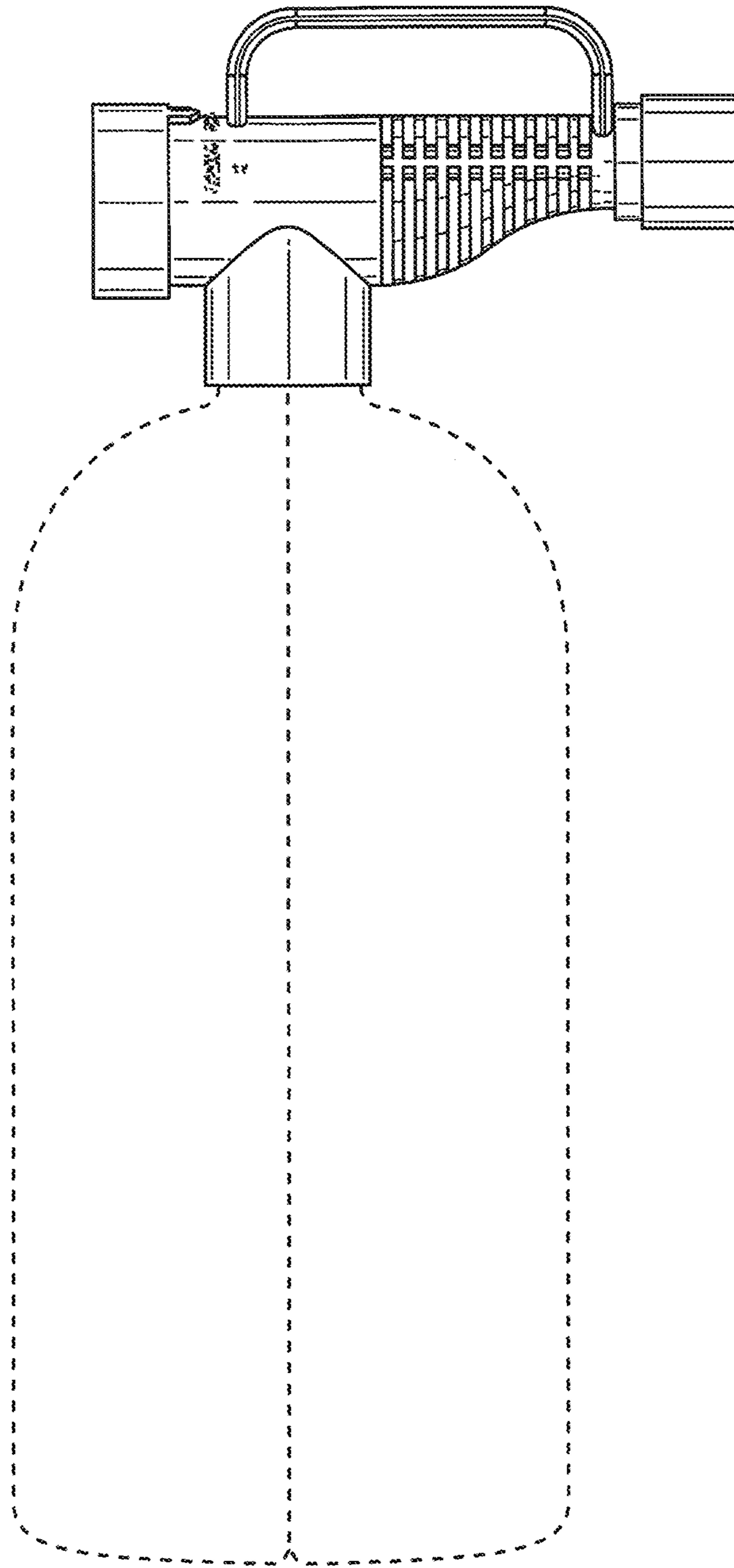


FIG. 11

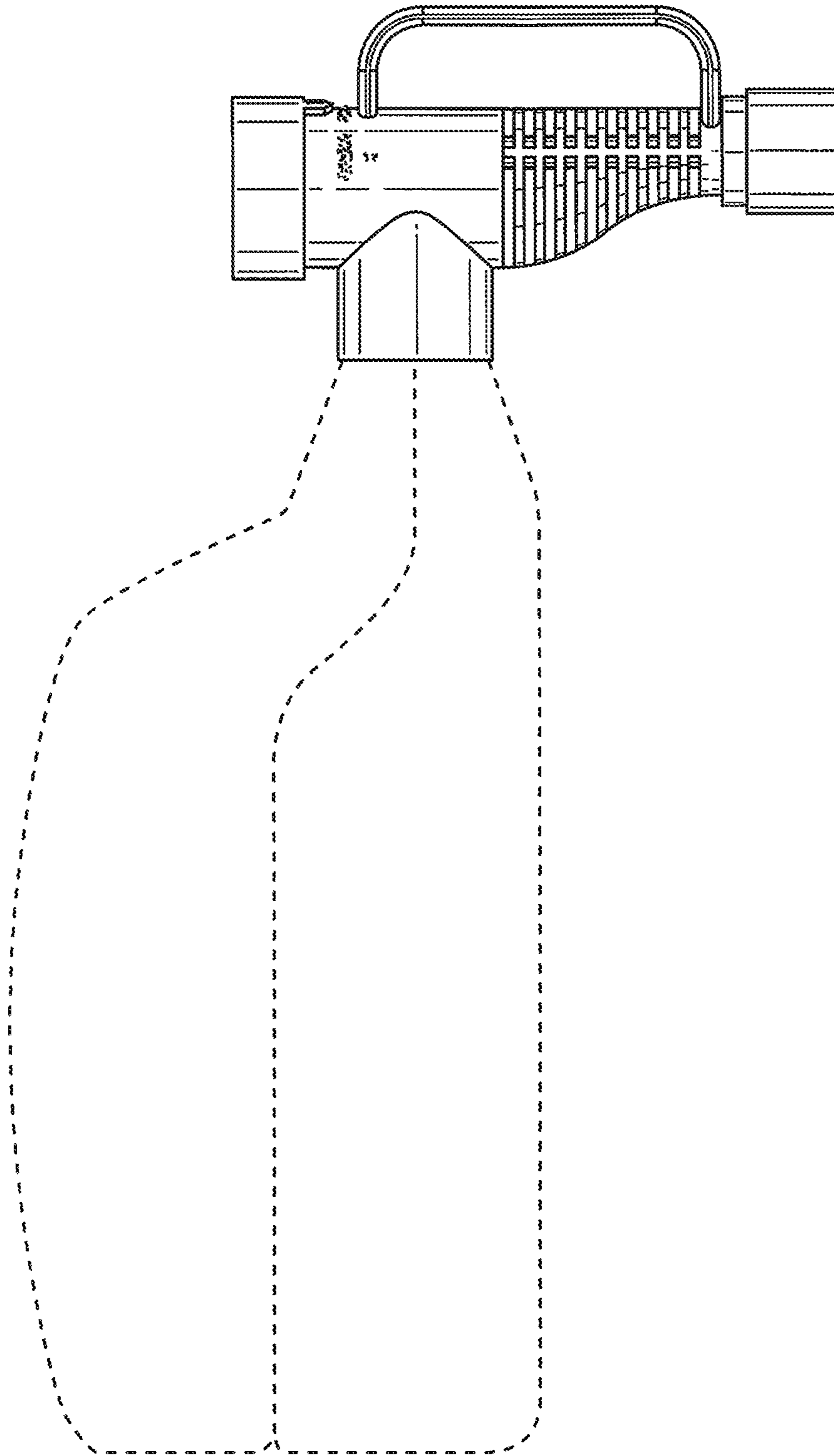


FIG. 12