



US00D821540S

(12) **United States Design Patent**
Sloff et al.

(10) **Patent No.:** **US D821,540 S**
(45) **Date of Patent:** **** Jun. 26, 2018**

- (54) **FISHING SINKER**
- (71) Applicant: **SinterFire, Inc.**, Kersey, PA (US)
- (72) Inventors: **Michael Sloff**, Saint Marys, PA (US);
Kevin Geist, Dubois, PA (US)
- (73) Assignee: **SinterFire, Inc.**, Kersey, PA (US)
- (**) Term: **15 Years**
- (21) Appl. No.: **29/571,955**
- (22) Filed: **Jul. 22, 2016**
- (51) **LOC (11) Cl.** **22-05**
- (52) **U.S. Cl.**
USPC **D22/145**
- (58) **Field of Classification Search**
USPC D22/116, 145; D21/440, 498, 707, 803
CPC A01K 95/00
See application file for complete search history.

5,444,937 A *	8/1995	Borner	F16B 2/205 24/908
D453,950 S *	2/2002	Kurachi	D22/145
D458,982 S *	6/2002	Ratte	D22/145
D470,195 S *	2/2003	Manville	D21/498
D601,221 S *	9/2009	Little	D22/145
D638,081 S *	5/2011	Julien	D21/599
D745,634 S *	12/2015	DeBone	D22/145

* cited by examiner

Primary Examiner — Karen S Acker
Assistant Examiner — Steven B Reinholdt, Jr.
(74) *Attorney, Agent, or Firm* — Finnegan, Henderson,
Farabow, Garrett & Dunner LLP

(57) **CLAIM**

The ornamental design for a fishing sinker, as shown and described.

DESCRIPTION

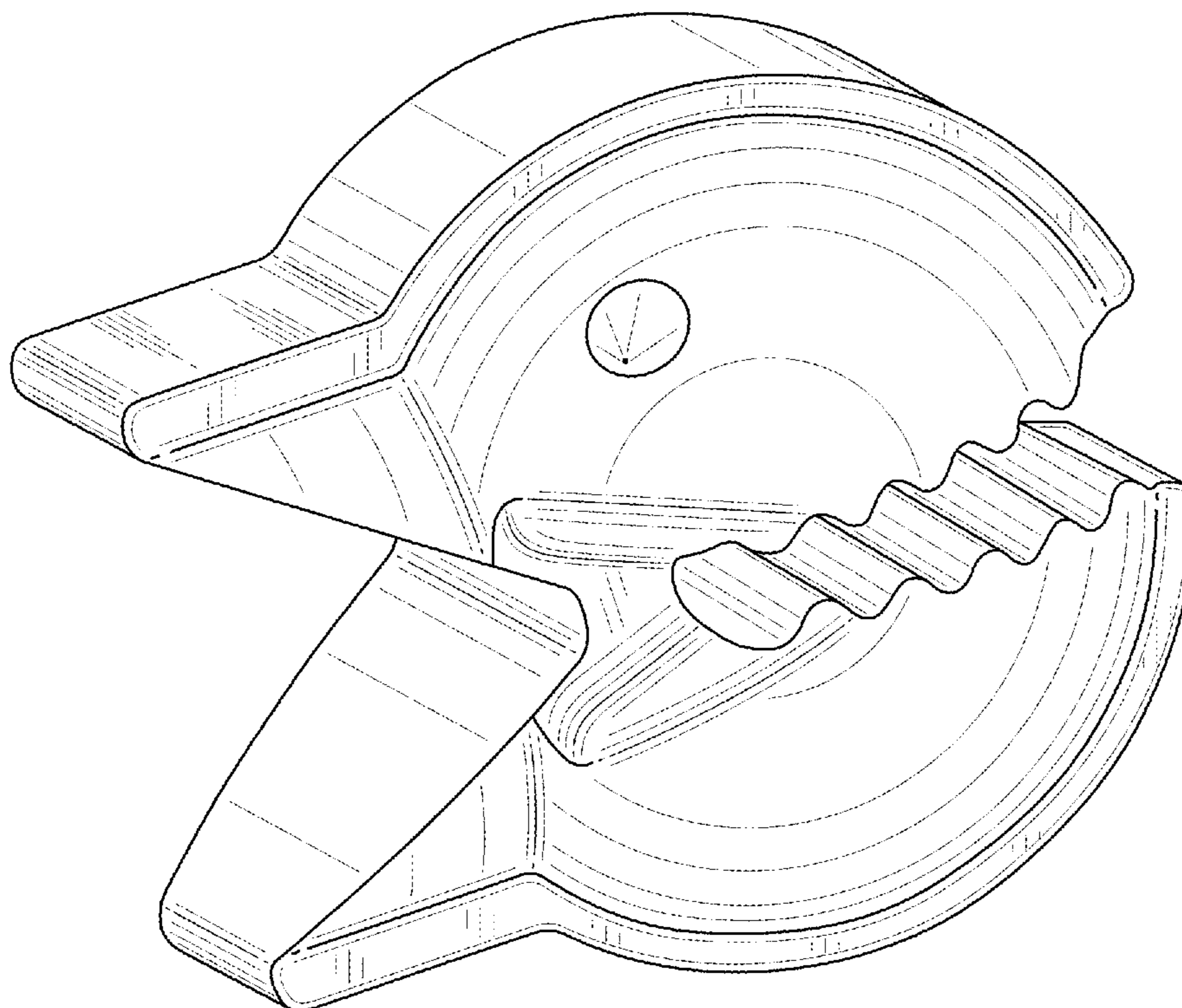
FIG. 1 is a top, front, left perspective view of a fishing sinker showing our new design;
FIG. 2 is a bottom, rear, left perspective view thereof;
FIG. 3 is a bottom, front, right perspective view thereof;
FIG. 4 is a rear elevation view thereof;
FIG. 5 is front elevation view thereof;
FIG. 6 is a left side view thereof;
FIG. 7 is a right side view thereof;
FIG. 8 is a top plan view thereof; and,
FIG. 9 is a bottom plan view thereof.

1 Claim, 9 Drawing Sheets

(56) **References Cited**

U.S. PATENT DOCUMENTS

2,904,924 A *	9/1959	Tashiro	A01K 95/00 43/44.89
3,043,043 A *	7/1962	Parry	A01K 95/00 43/43.1
5,435,095 A *	7/1995	Crumrine	A01K 95/00 43/44.9



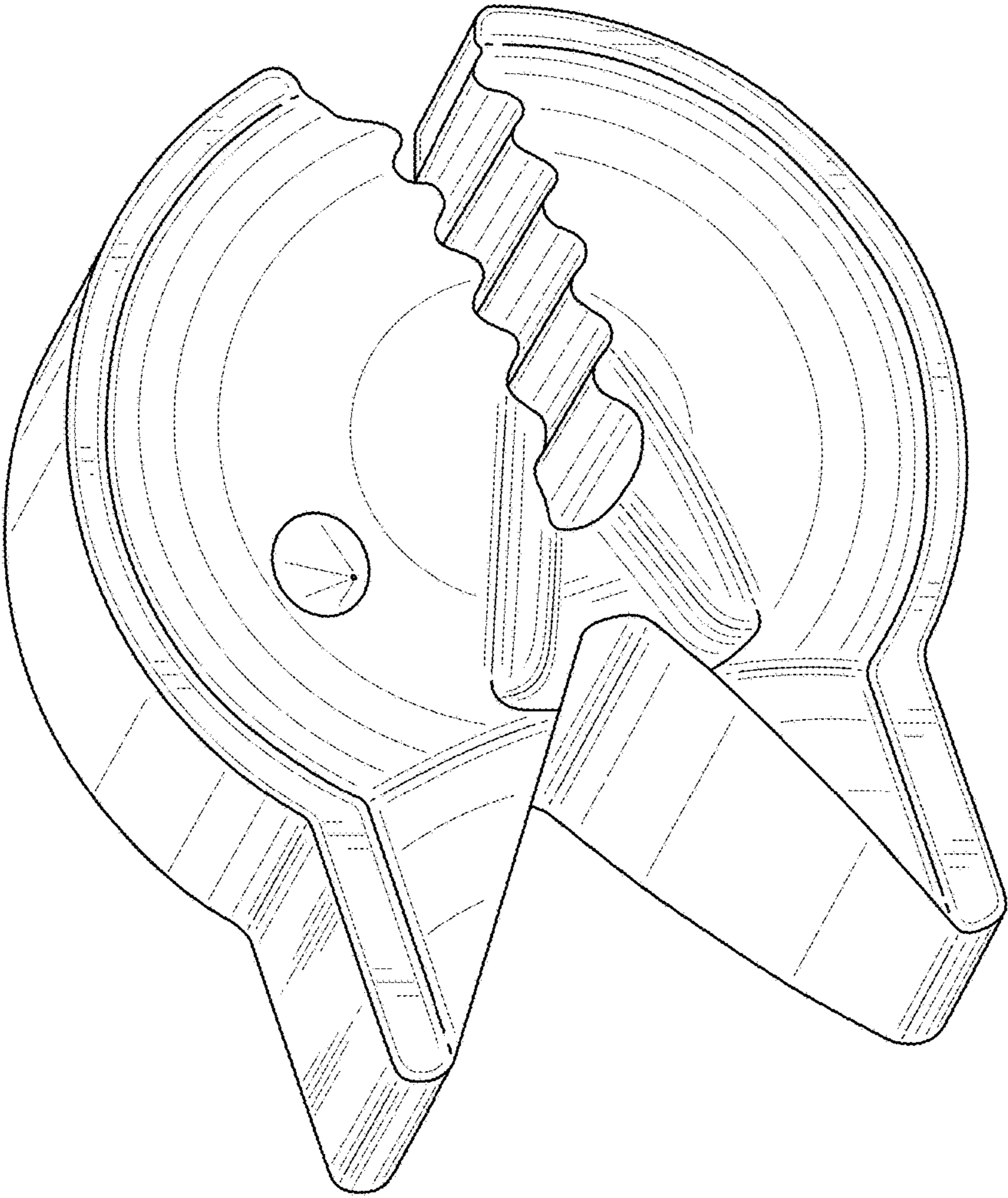


FIG. 1

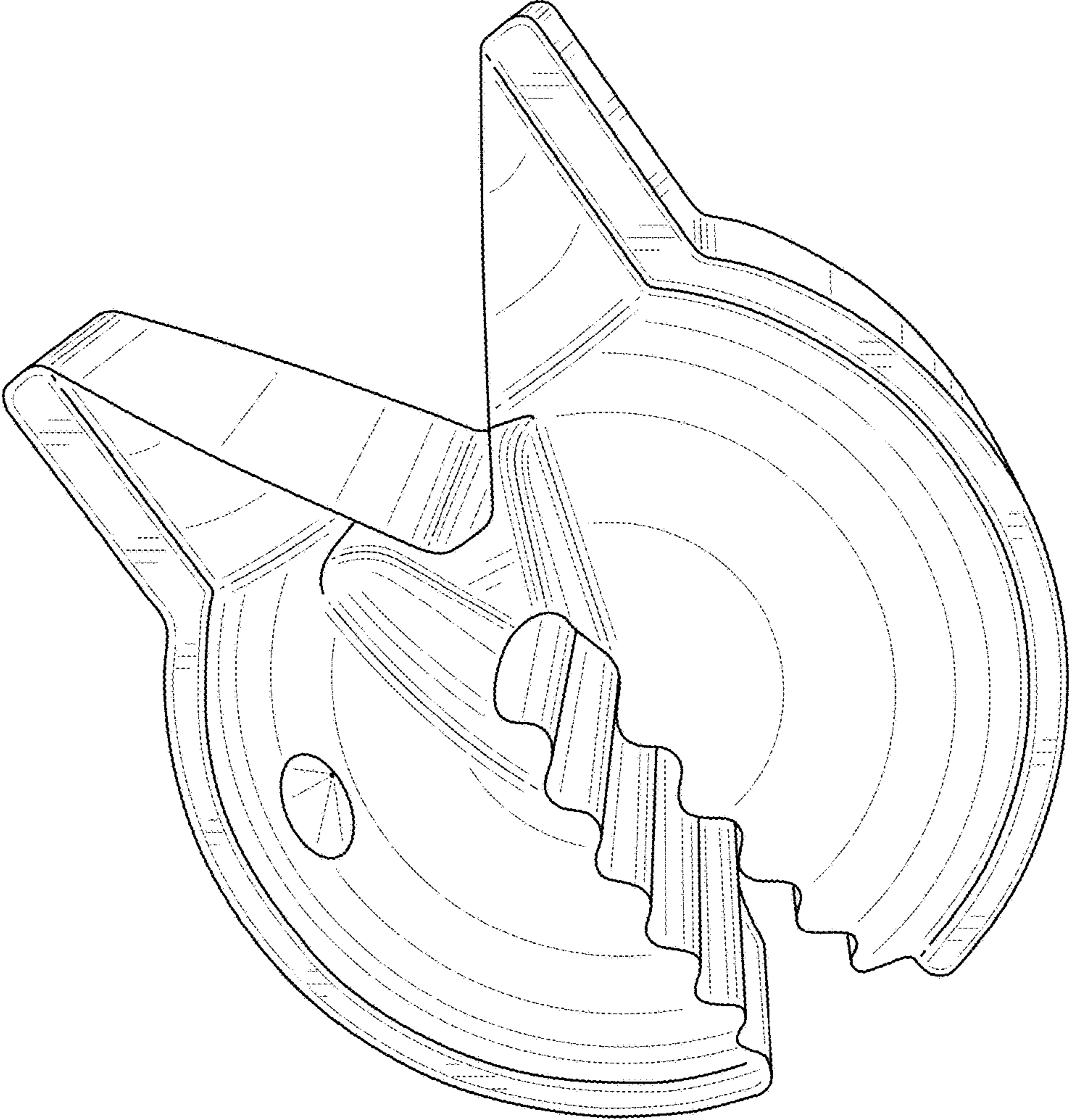


FIG. 2

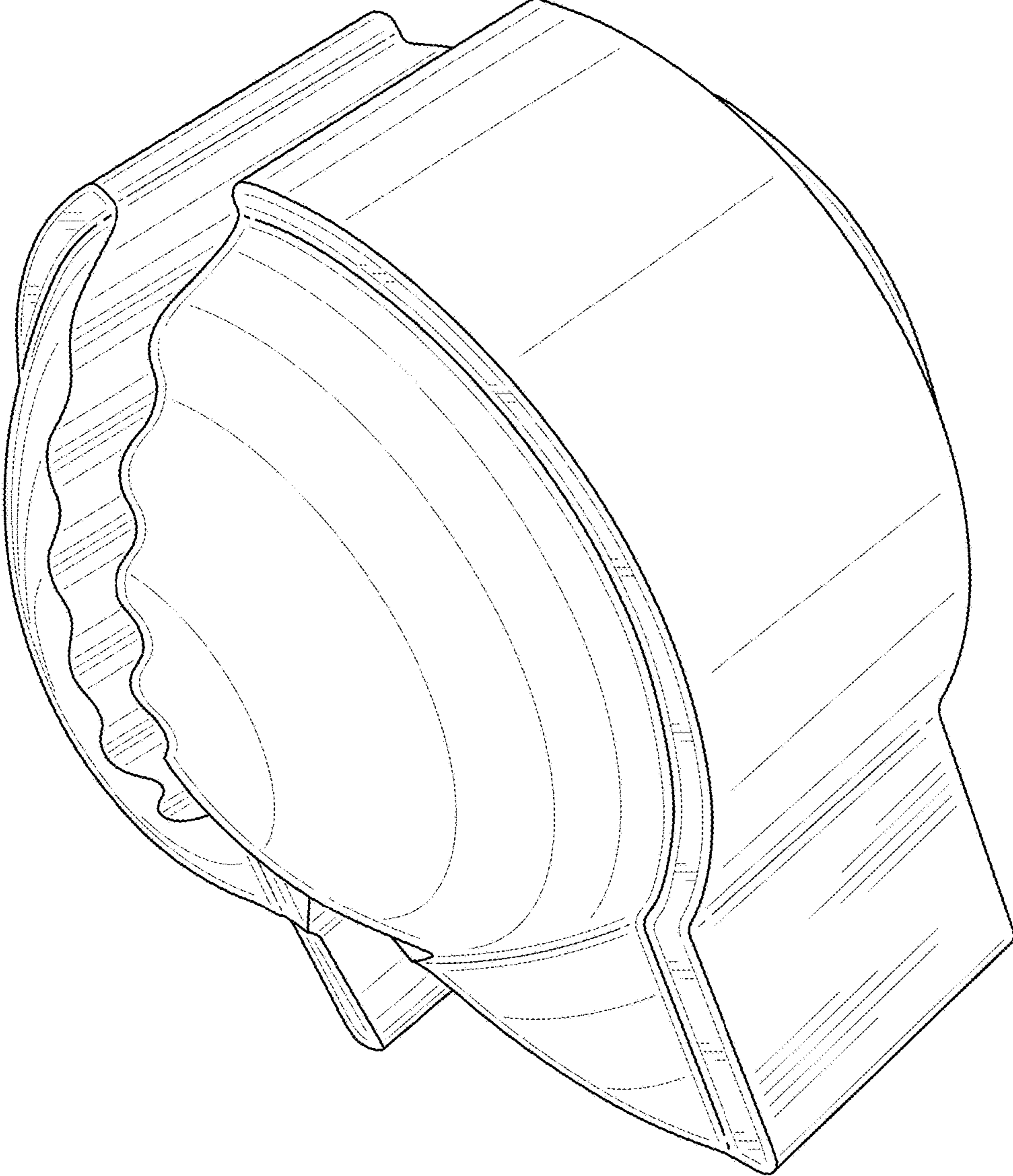


FIG. 3

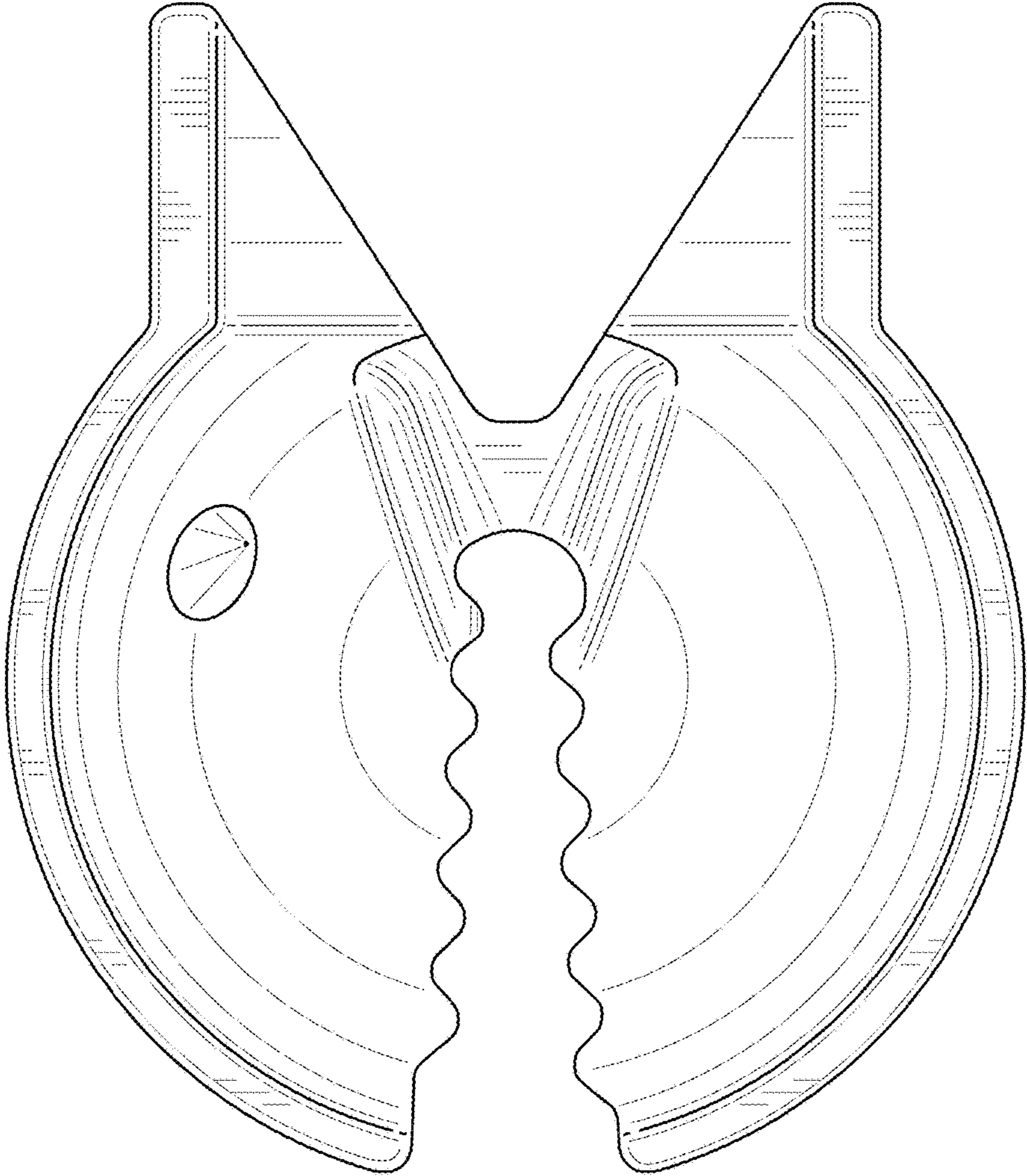


FIG. 4

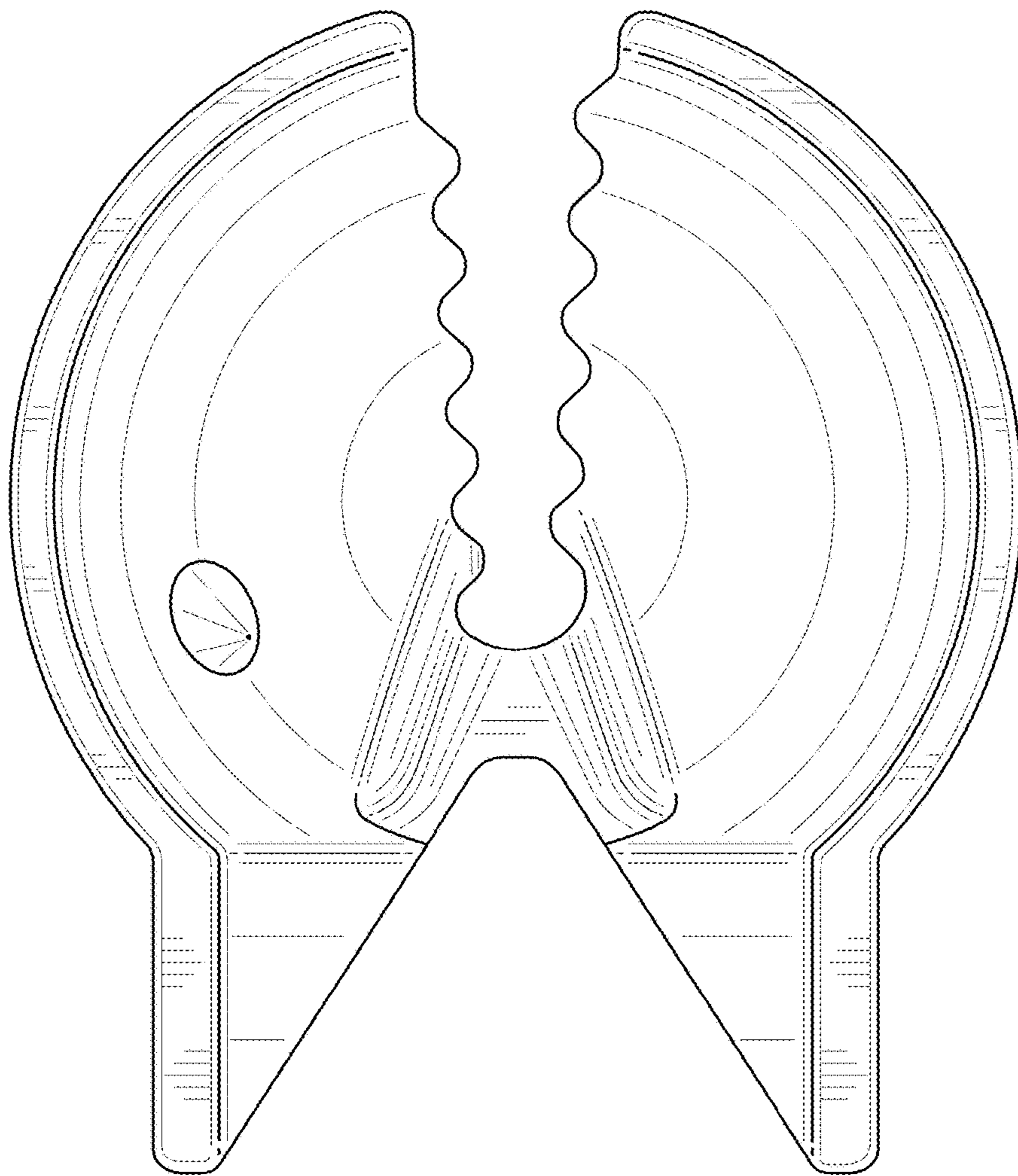


FIG. 5

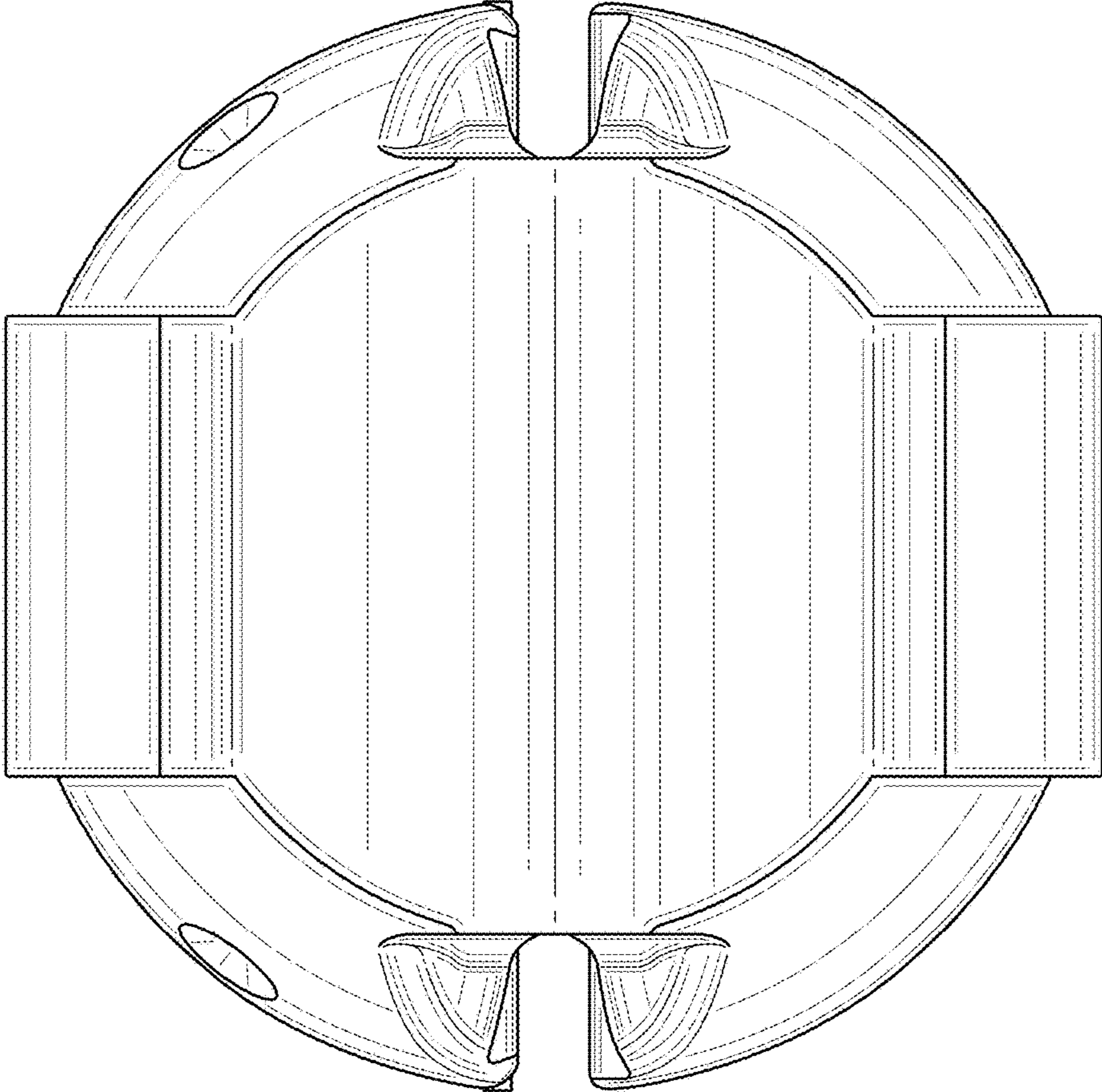


FIG. 6

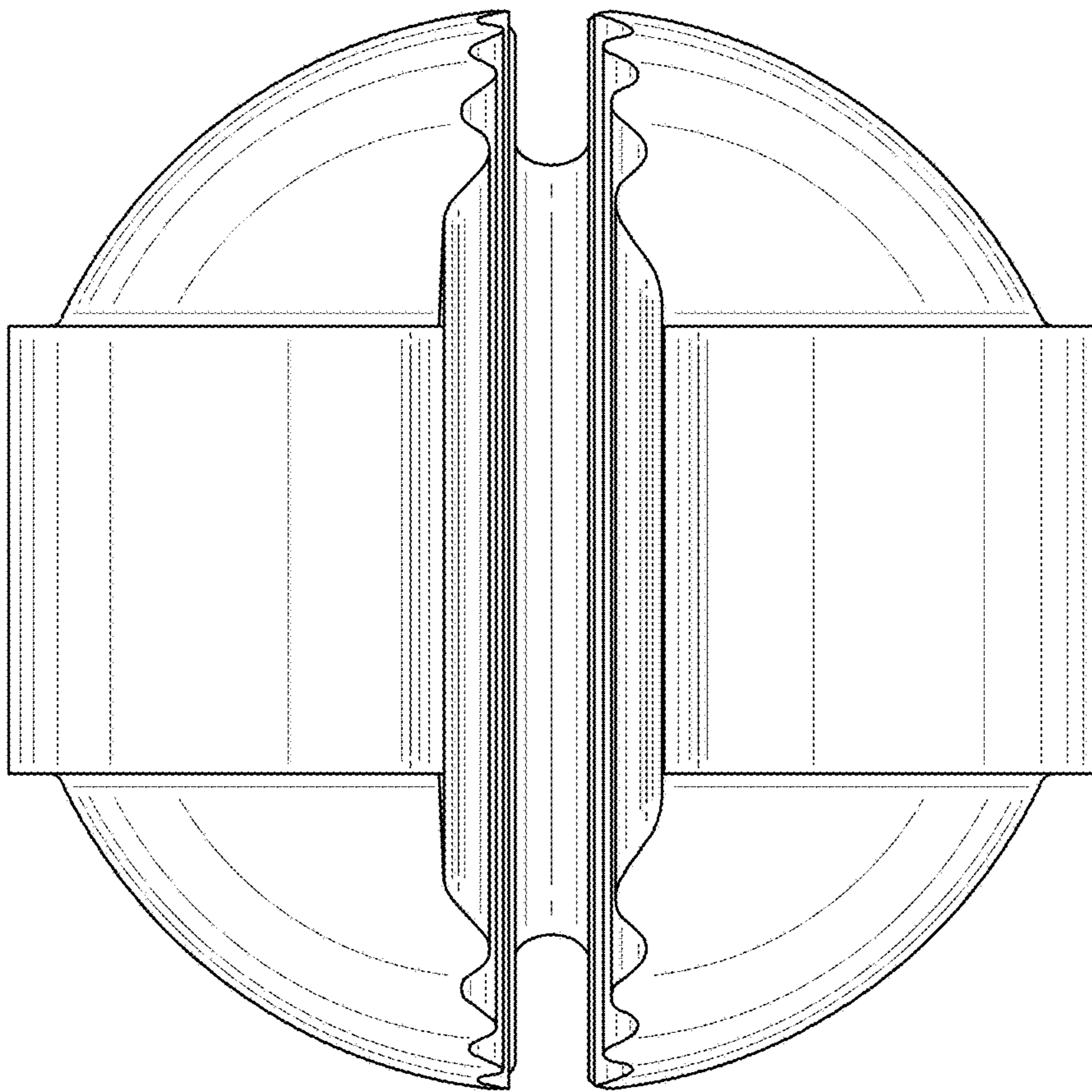


FIG. 7

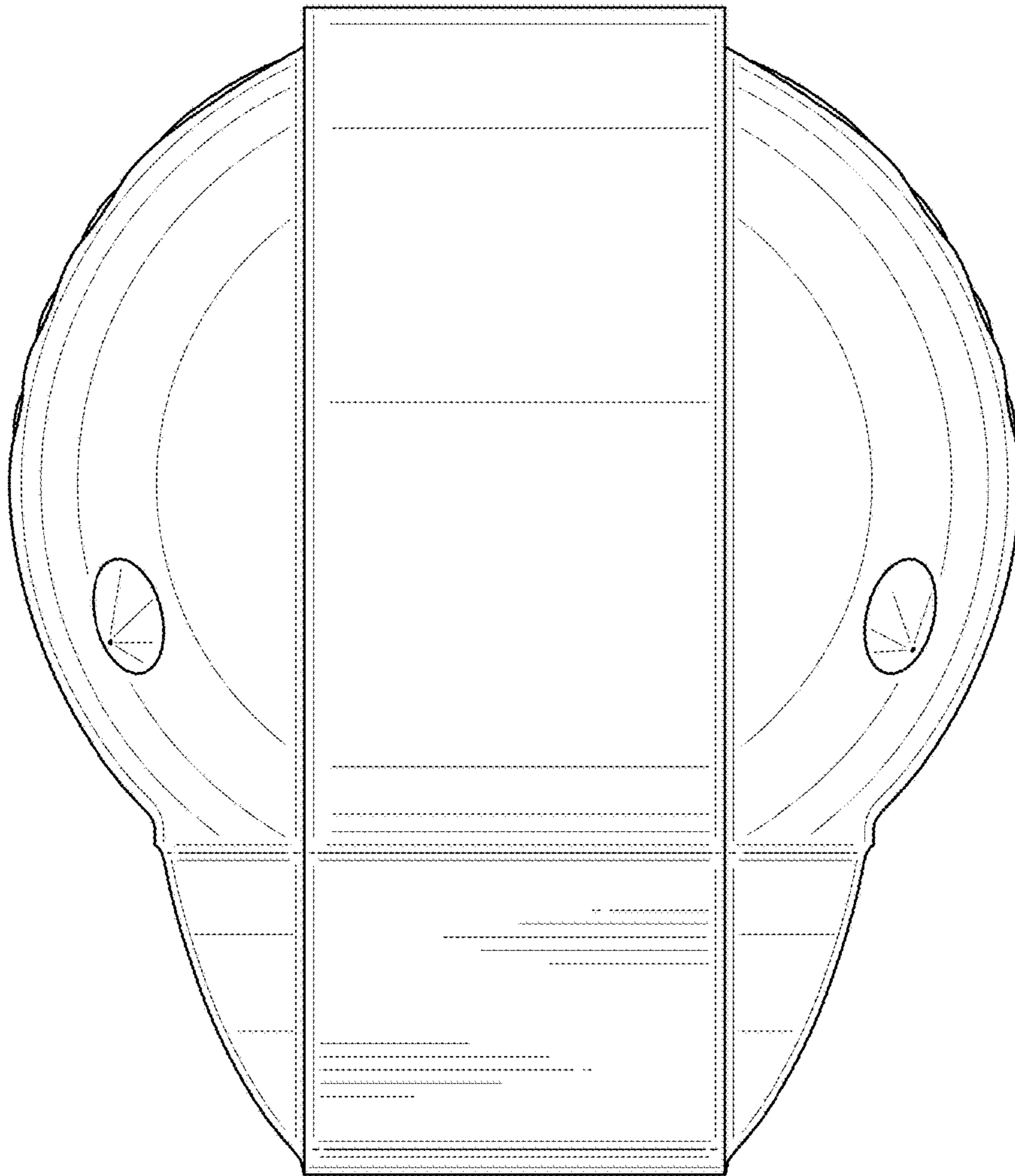


FIG. 8

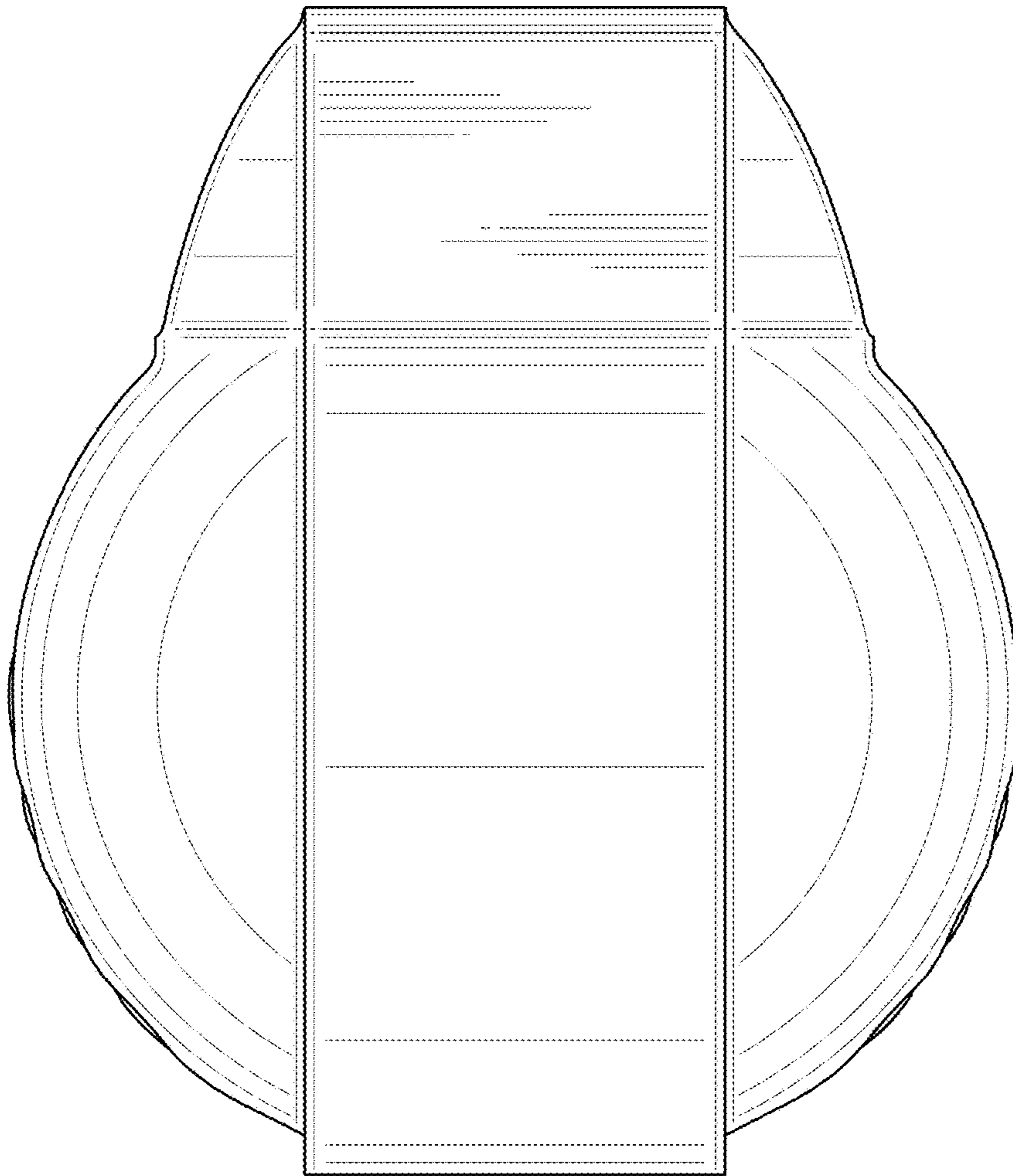


FIG. 9