



US00D821536S

(12) **United States Design Patent**
Christiansen et al.

(10) **Patent No.:** **US D821,536 S**
(45) **Date of Patent:** **** Jun. 26, 2018**

- (54) **PROJECTILE**
- (71) Applicant: **SilencerCo, LLC**, West Valley City, UT (US)
- (72) Inventors: **James Christiansen**, Kearns, UT (US);
Harrison Holden, Sandy, UT (US)
- (73) Assignee: **SilencerCo, LLC**, West Valley City, UT (US)
- (**) Term: **15 Years**
- (21) Appl. No.: **29/575,351**
- (22) Filed: **Aug. 24, 2016**
- (51) **LOC (11) Cl.** **22-03**
- (52) **U.S. Cl.**
USPC **D22/116**
- (58) **Field of Classification Search**
USPC D22/115-116
CPC F41A 9/83; F41A 9/82; F41A 9/01; F41A 9/09; F41A 9/86; F42B 30/02; F42B 5/02; F42B 5/26; F42B 12/34; F42B 8/04; F42B 10/22; F42B 8/14
See application file for complete search history.

- 6,070,532 A * 6/2000 Halverson F42B 14/02
102/501
- 6,776,101 B1 * 8/2004 Pickard F42B 12/34
102/507
- 7,752,977 B1 * 7/2010 Babcock F42B 10/52
102/501
- D621,468 S * 8/2010 Nilsson D22/116
- 8,117,967 B2 * 2/2012 Salvel F42B 30/02
102/517
- 8,511,233 B2 * 8/2013 Nilsson F42B 12/34
102/509
- 8,893,621 B1 * 11/2014 Escobar F42B 10/44
102/501
- 9,354,027 B2 * 5/2016 Flint F42B 12/367

* cited by examiner

Primary Examiner — Michael A. Pratt

(57) **CLAIM**

We claim the ornamental design for a projectile, as shown and described.

DESCRIPTION

FIG. 1 is an isometric view of a third embodiment of our design for a projectile;
 FIG. 2 is a top view of the design for the projectile shown in FIG. 1;
 FIG. 3 is a right side view of the design for the projectile shown in FIG. 1, the left side view being a mirror image thereof;
 FIG. 4 is a bottom view of the design for the projectile shown in FIG. 1;
 FIG. 5 is a front end view of the design for the projectile shown in FIG. 1; and,
 FIG. 6 is a rear end view of the design for the projectile shown in FIG. 1.
 The broken lines are for illustrative purposes only and form no part of the claimed design.

1 Claim, 1 Drawing Sheet

(56) **References Cited**

U.S. PATENT DOCUMENTS

- 1,447,478 A * 3/1923 Koshollek F42B 12/34
102/508
- 1,531,624 A * 3/1925 Richardson F42B 10/22
244/3.23
- 2,333,091 A * 11/1943 Crasnoff F42B 12/34
102/507
- 5,116,224 A * 5/1992 Kelsey, Jr. F42B 10/22
102/439
- D389,221 S * 1/1998 Borg D22/115

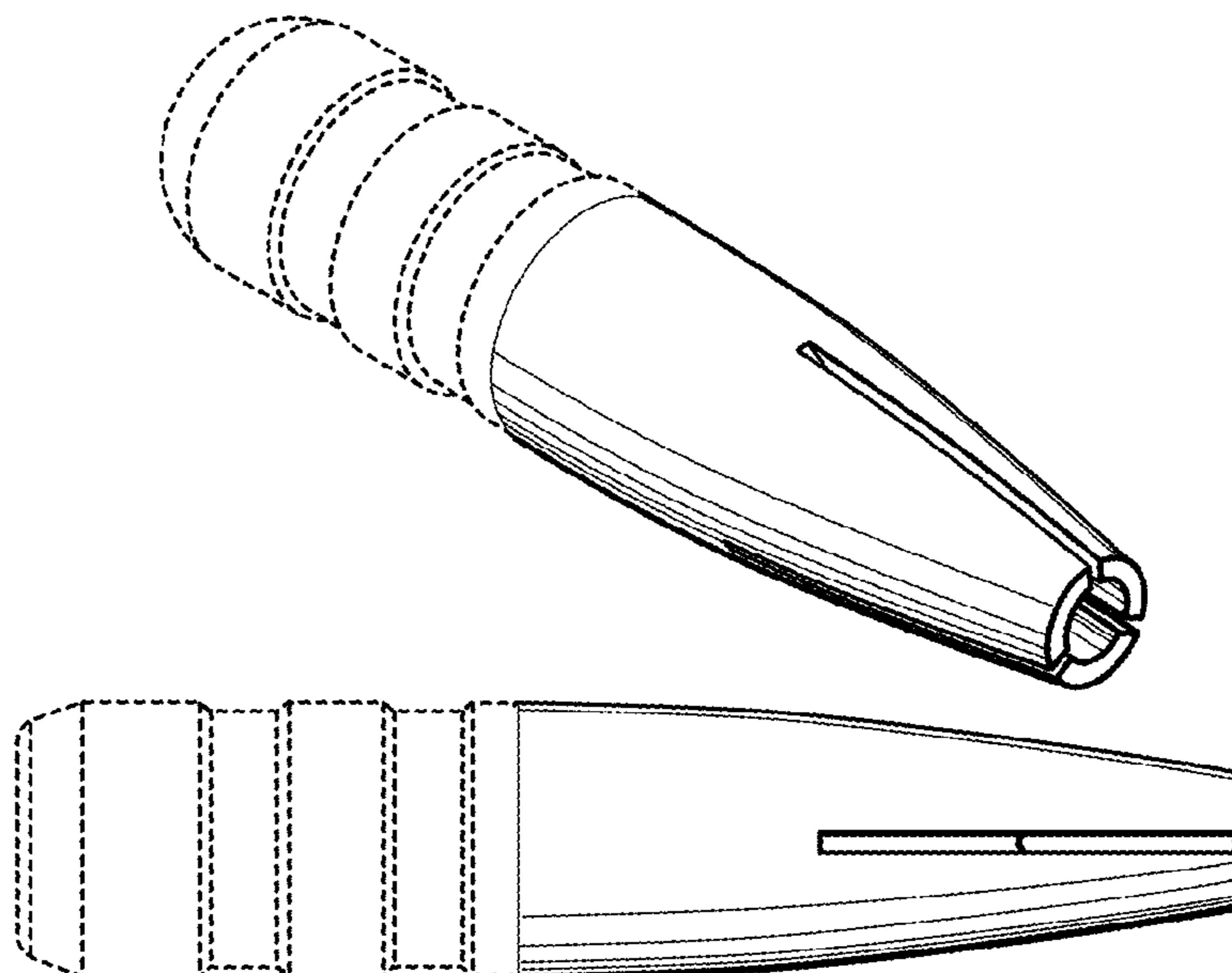


FIG.1

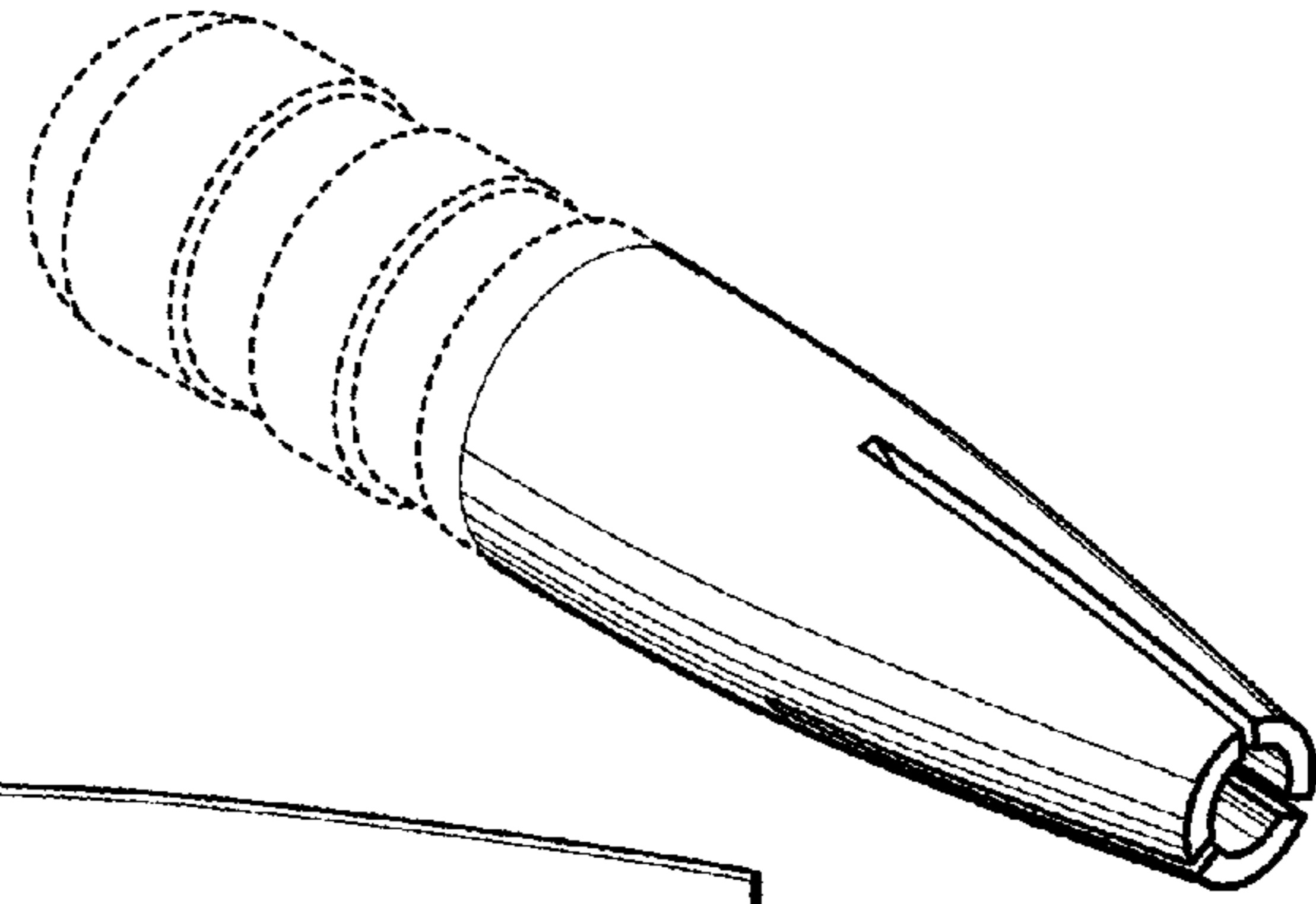


FIG.2

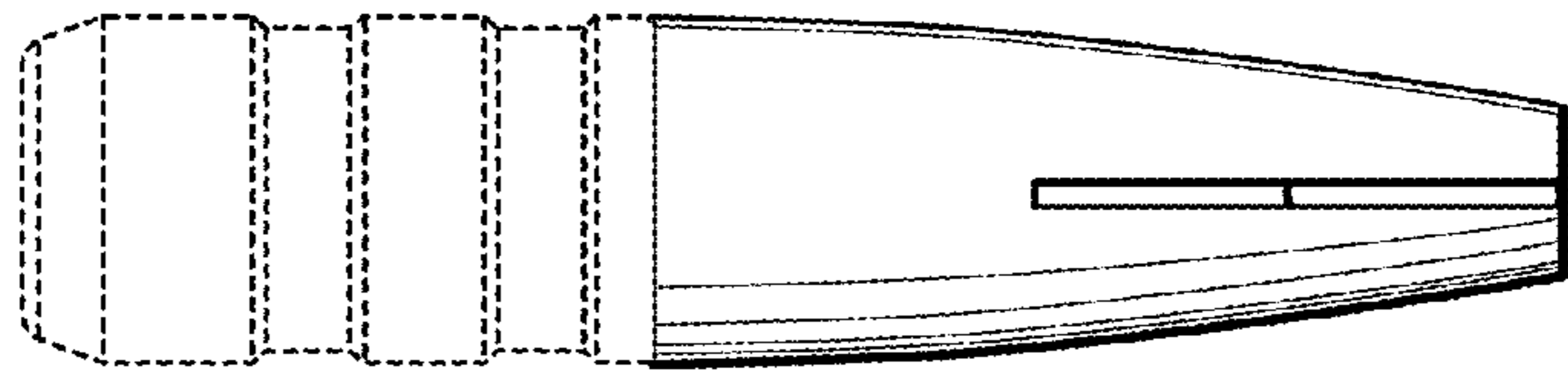


FIG.3

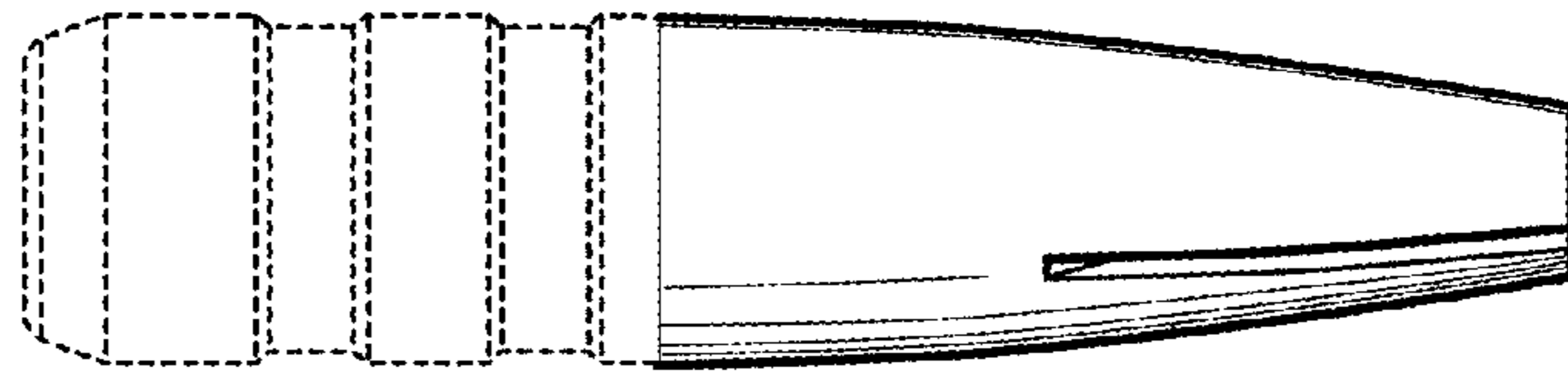


FIG.4

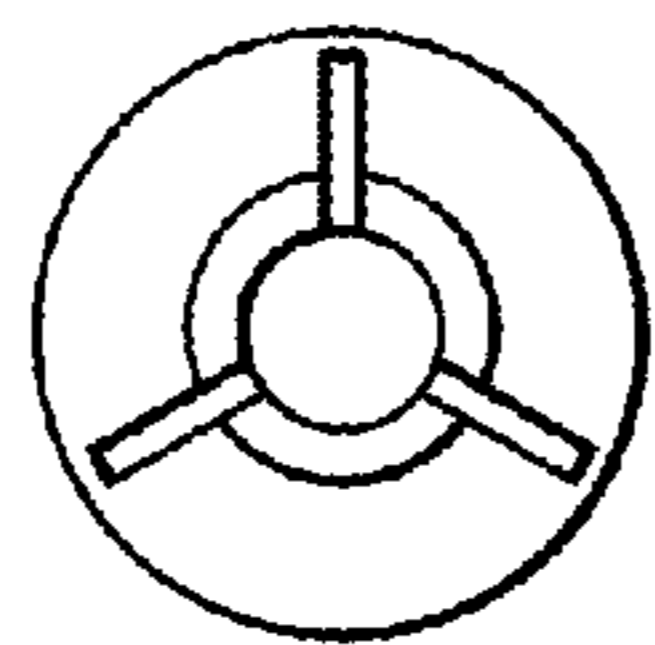
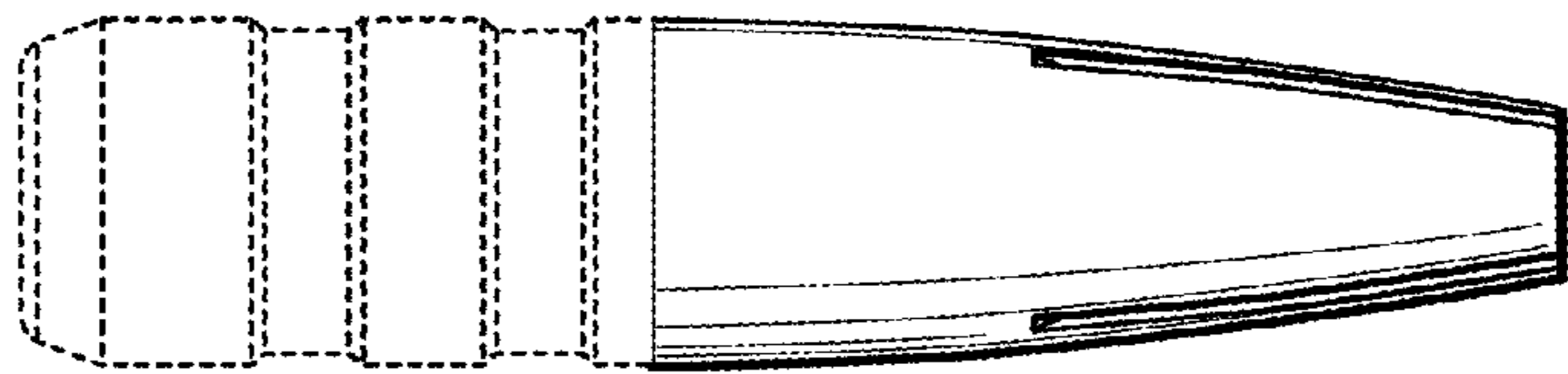


FIG.5

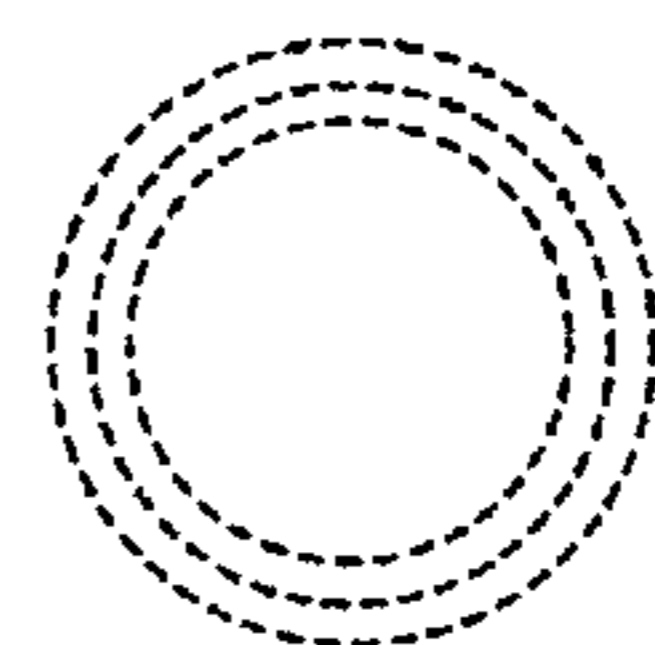


FIG.6