



US00D821534S

(12) **United States Design Patent**
Couie

(10) **Patent No.:** **US D821,534 S**
(45) **Date of Patent:** **** Jun. 26, 2018**

(54) **FIREARM MAGAZINE LOADER/UNLOADER**

(71) Applicant: **William Christopher Couie**, Vidalia,
LA (US)

(72) Inventor: **William Christopher Couie**, Vidalia,
LA (US)

(**) Term: **15 Years**

(21) Appl. No.: **29/607,576**

(22) Filed: **Jun. 14, 2017**

(51) **LOC (11) Cl.** **22-01**

(52) **U.S. Cl.**
USPC **D22/108**

(58) **Field of Classification Search**
USPC D22/108–111, 199; 42/88, 90, 99, 106;
86/48; 89/45; D3/221, 222, 228, 229
CPC F42B 39/00; F42B 39/002; F42B 39/087;
F42B 39/10; F42B 39/26; F42B 5/26;
F41A 9/85; F41A 9/83; F41A 9/84; F41A
9/66

See application file for complete search history.

(56) **References Cited**

U.S. PATENT DOCUMENTS

- 2,345,593 A * 4/1944 Garand F41A 9/83
86/47
- 2,403,012 A * 7/1946 McPheters F41A 9/83
42/87
- 2,451,521 A * 10/1948 Uglum F41A 9/83
244/155 A
- 4,392,321 A * 7/1983 Bosworth F41A 9/83
42/87
- 4,538,371 A 9/1985 Howard
- 4,570,371 A 2/1986 Mears
- 4,614,052 A * 9/1986 Brown F41A 9/83
42/50
- 4,706,402 A * 11/1987 Csongor F41A 9/84
42/87
- 4,719,715 A * 1/1988 Howard F41A 9/83
42/87

- 4,827,651 A * 5/1989 Conkey F41A 9/83
42/87
- 4,829,693 A * 5/1989 Holmes F41A 9/83
42/87
- 4,993,180 A 2/1991 Upchurch
- 5,402,594 A * 4/1995 Switzer F41A 9/83
42/87
- 6,286,243 B1 * 9/2001 Hinton F41A 9/83
42/87

(Continued)

OTHER PUBLICATIONS

Pistol Magazine Loader for 9mm/.40/.357 metal magazines, IMIdefense.com, [online], [site visited Mar. 20, 2018]. <URL: <https://www.imidefense.com/product/pistol-magazine-loader-for-9mm-40-357-metal-magazines/>> (Year: 2018).*

(Continued)

Primary Examiner — T. Chase Nelson
Assistant Examiner — Jonathan J. Han
(74) *Attorney, Agent, or Firm* — Olav M. Underdal; IDP Patent Services

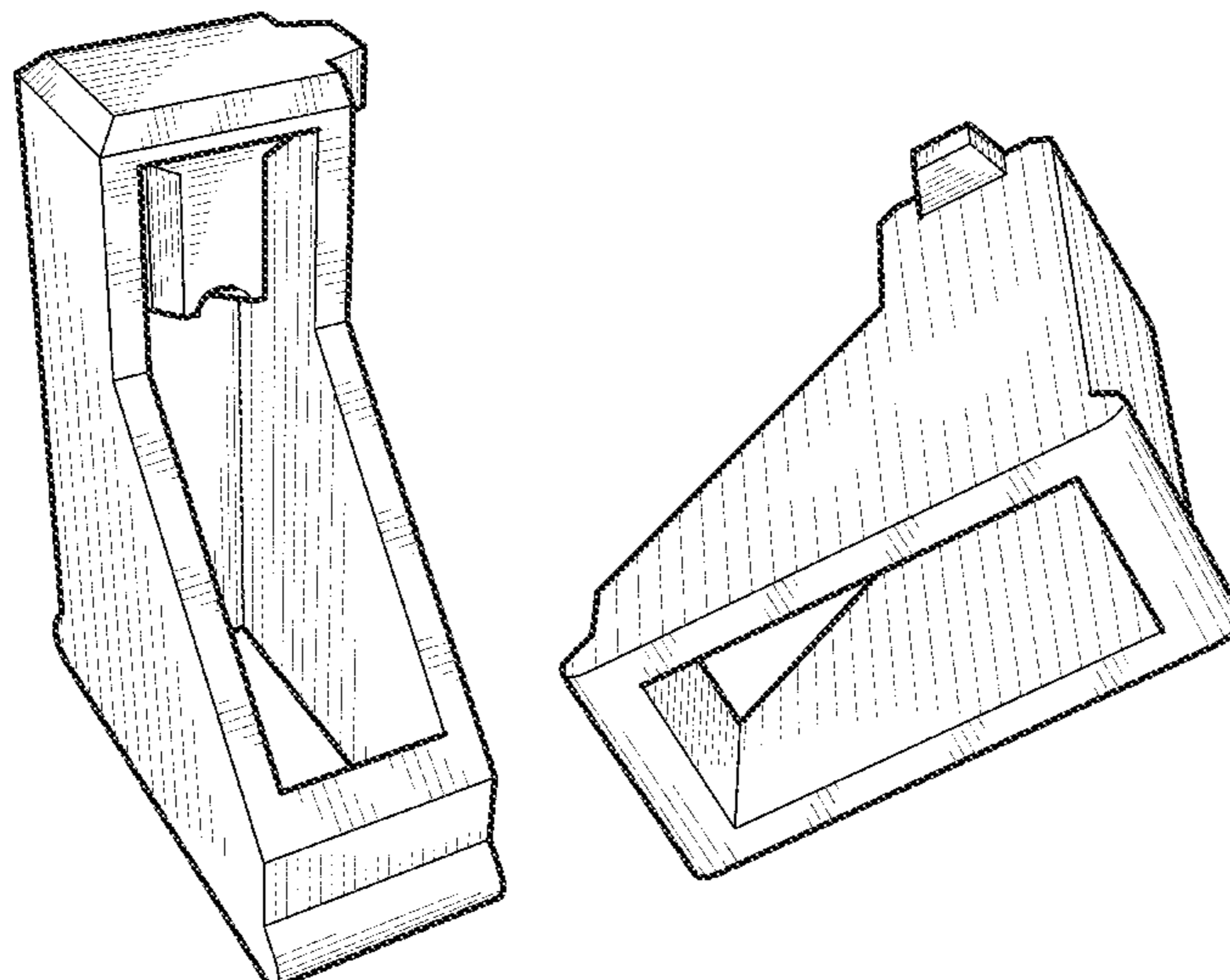
(57) **CLAIM**

The ornamental design for a firearm magazine loader/unloader, as shown and described.

DESCRIPTION

FIG. 1 is a top front left side perspective view of a firearm magazine loader/unloader;
FIG. 2 is a top front right side perspective view thereof;
FIG. 3 is a bottom rear right side perspective view thereof;
FIG. 4 is a right side view thereof;
FIG. 5 is a rear view thereof;
FIG. 6 is a left side view thereof;
FIG. 7 is a front view thereof;
FIG. 8 is a top view thereof; and,
FIG. 9 is a bottom view thereof.

1 Claim, 6 Drawing Sheets



(56)

References Cited

U.S. PATENT DOCUMENTS

D477,047 S * 7/2003 Springer D22/108
 6,754,987 B1 * 6/2004 Cheng F41A 9/83
 42/87
 6,810,616 B2 * 11/2004 Tal F41A 9/83
 42/87
 6,817,134 B2 11/2004 Newman
 D503,960 S * 4/2005 Gangi D22/108
 7,257,919 B1 8/2007 Farley
 7,805,874 B2 * 10/2010 Tal F41A 9/84
 42/87
 7,866,080 B2 * 1/2011 Tucker F41A 9/83
 42/87
 8,209,896 B1 * 7/2012 Cashwell F41A 23/18
 206/317
 8,453,366 B2 6/2013 Gray
 D697,999 S * 1/2014 Firment D22/108
 D700,266 S * 2/2014 Tal D22/108
 8,898,946 B1 * 12/2014 Johnson F41A 17/36
 42/49.02
 D728,066 S * 4/2015 Tal D22/199
 9,091,500 B1 * 7/2015 Kim F41A 9/83
 9,212,859 B1 * 12/2015 Tal F41A 9/83
 D753,781 S * 4/2016 Cauley, Jr. D22/108
 9,335,108 B2 5/2016 Cauley et al.
 9,404,697 B2 8/2016 Cobb
 D770,588 S * 11/2016 Cauley, Jr. D22/108
 9,574,836 B1 * 2/2017 Cauley, Jr. F41A 9/83
 9,631,884 B2 * 4/2017 Kim F41A 9/83

9,772,152 B1 * 9/2017 Niccum F41A 9/82
 9,846,005 B2 * 12/2017 Zivic F41A 9/83
 2004/0020096 A1 2/2004 Tal et al.
 2004/0159036 A1 * 8/2004 Newman F41A 9/83
 42/87
 2013/0061505 A1 * 3/2013 Faifer F41A 9/83
 42/87
 2013/0192117 A1 8/2013 Meinel
 2013/0232843 A1 9/2013 Bajuelo
 2014/0298704 A1 10/2014 Niccum
 2014/0317985 A1 * 10/2014 Cauley, Jr. F41A 9/83
 42/87
 2015/0075053 A1 * 3/2015 Kim F41A 9/84
 42/88
 2017/0067707 A1 * 3/2017 Zivic F41A 9/83

OTHER PUBLICATIONS

ADCO ST2 Multi Caliber Magazine Loader, ADCOsales.com, [online], [site visited Mar. 20, 2018]. <URL: <https://www.adcosales.com/super-thumbs/adco-st2-multi-caliber-magazine-loader-adco-st2>> (Year: 2018).*

Christie Products Black Dog Machine AR15/M16-.22LR Magazine Loader, PalmettoStateArmory.com, [online], [site visited Mar. 20, 2018]. <URL: <http://palmettostatearmory.com/christie-products-black-dog-ar15-m16-22lr-magazine-loader.html>> (Year: 2018).*

22 LR Magazine Loader, Taylor-Tactical-Supply.com, [online], [site visited Mar. 20, 2018]. <URL: <https://www.taylor-tactical-supply.com/22-mag-loader-p/22-mag-loader.htm>> (Year: 2018).*

* cited by examiner

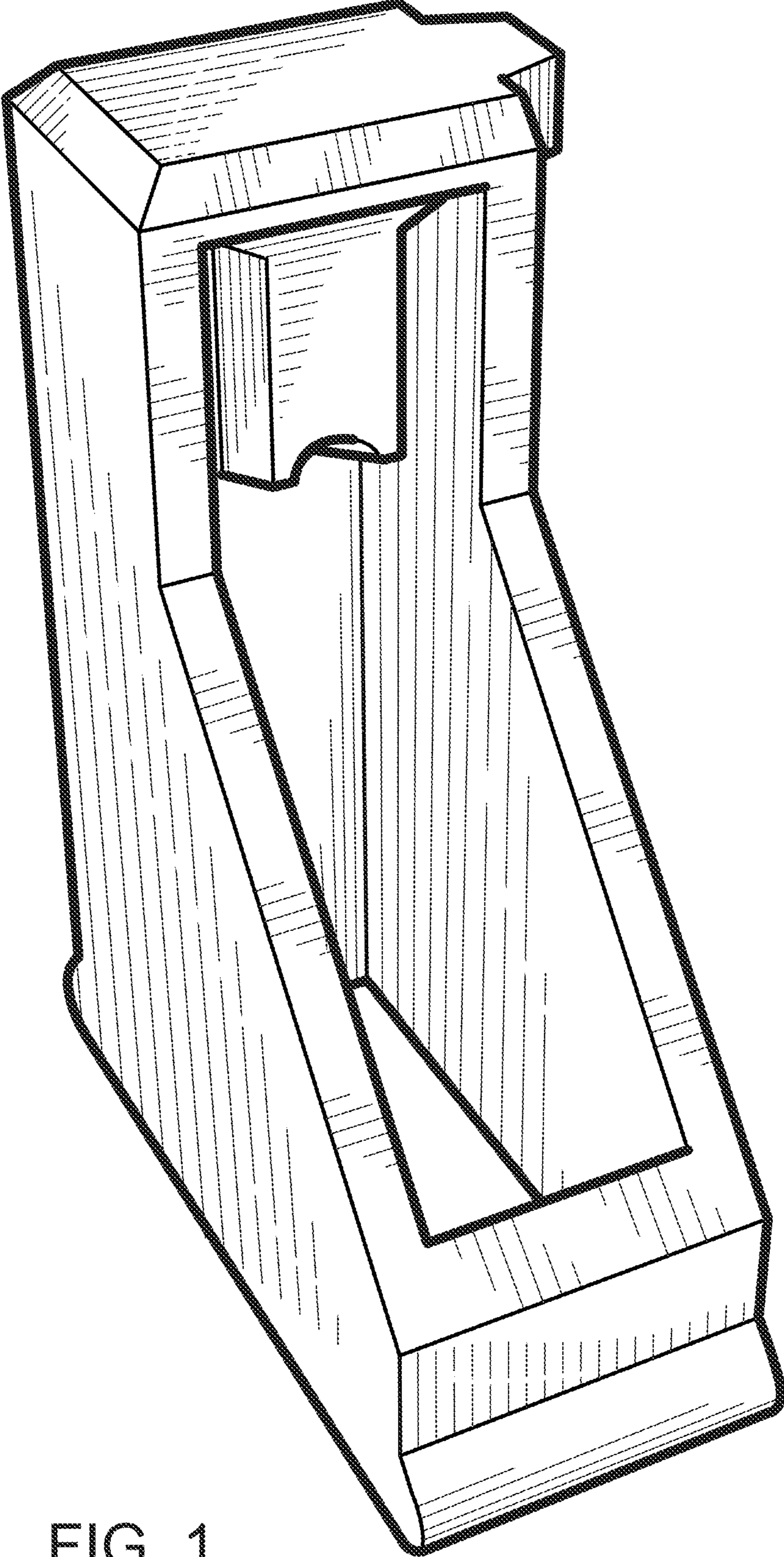


FIG. 1

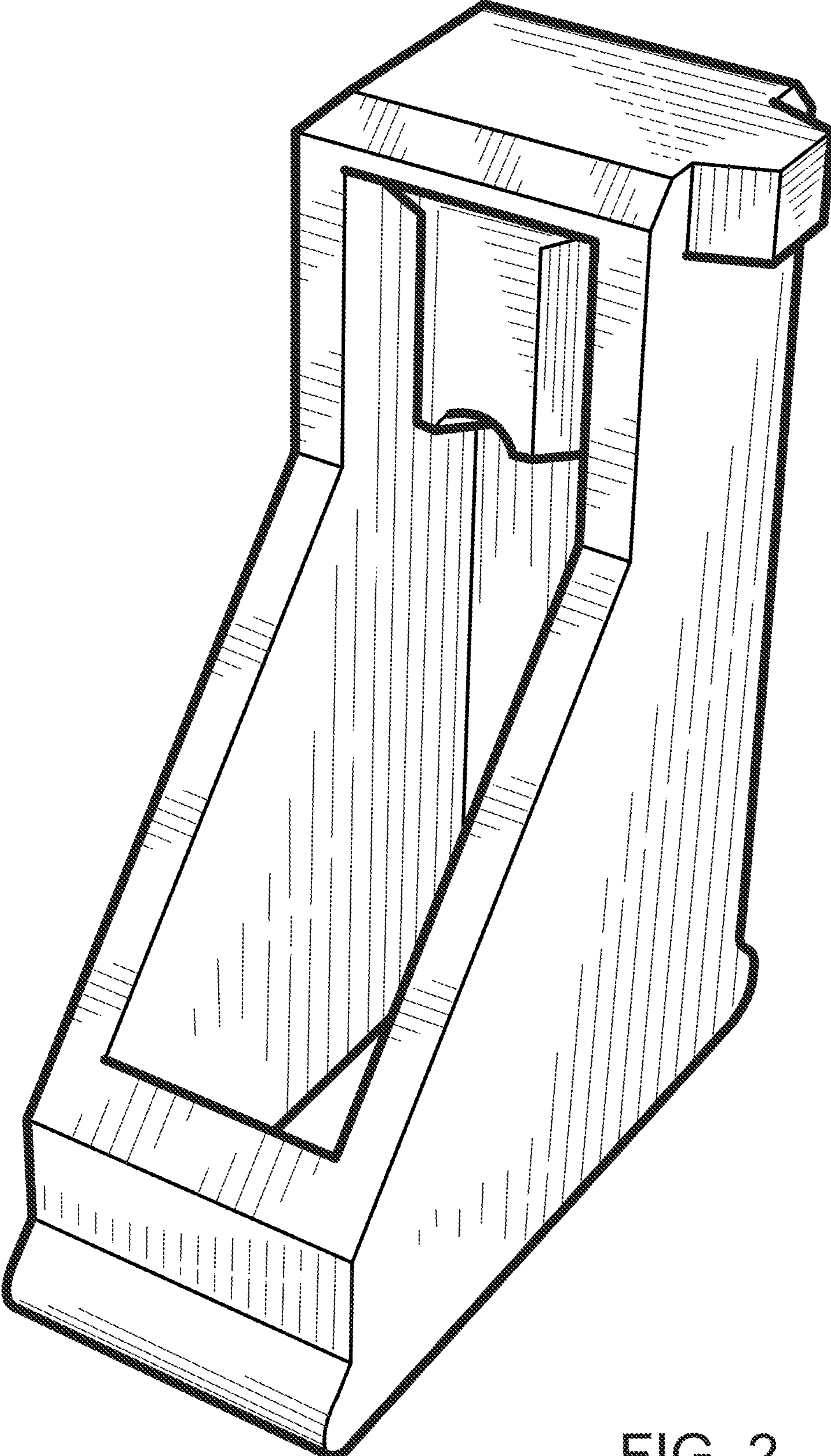


FIG. 2

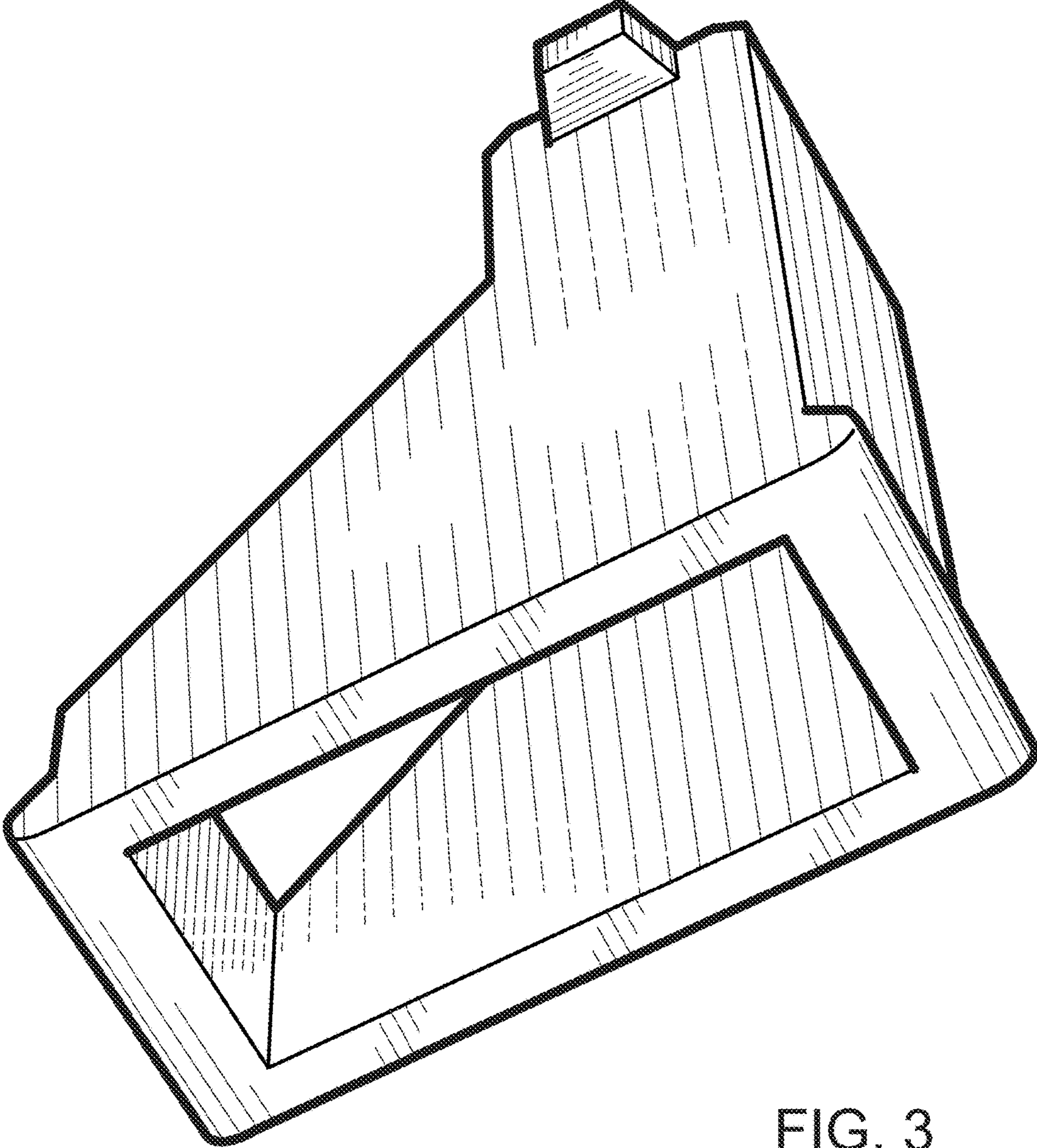


FIG. 3

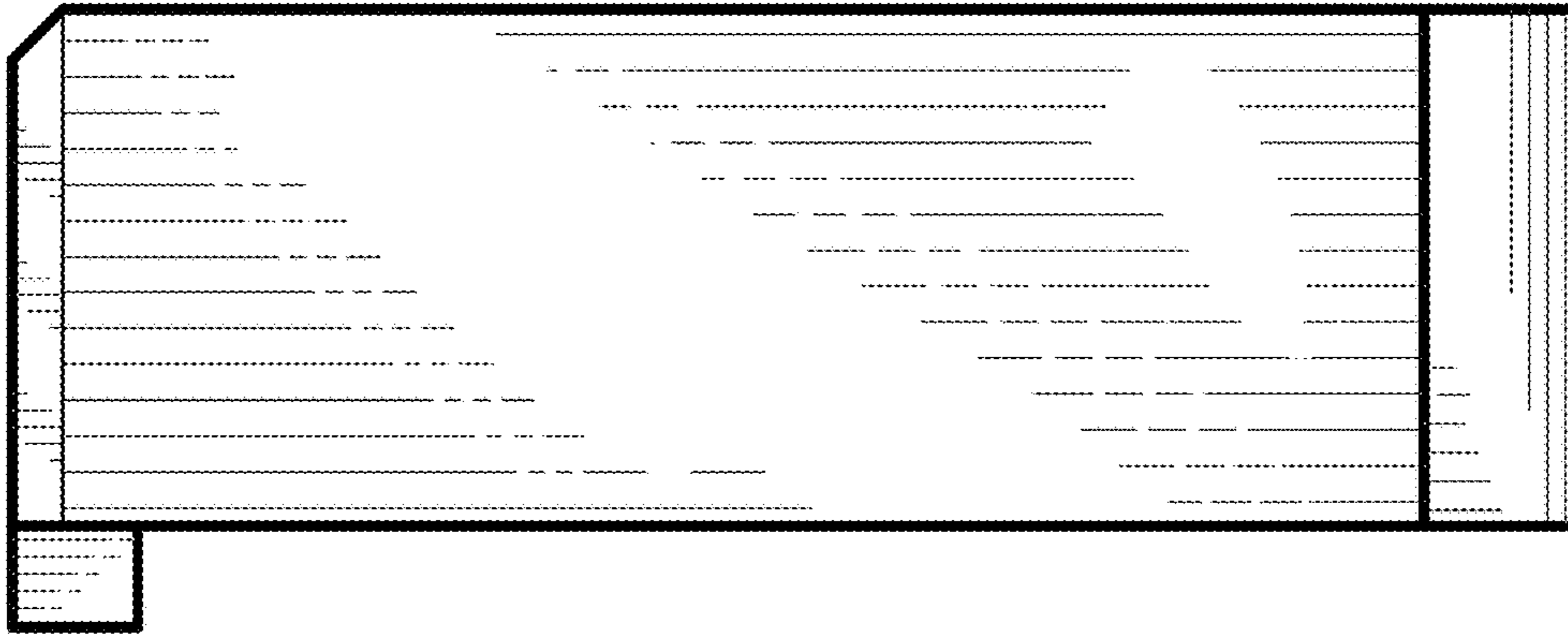


FIG. 5

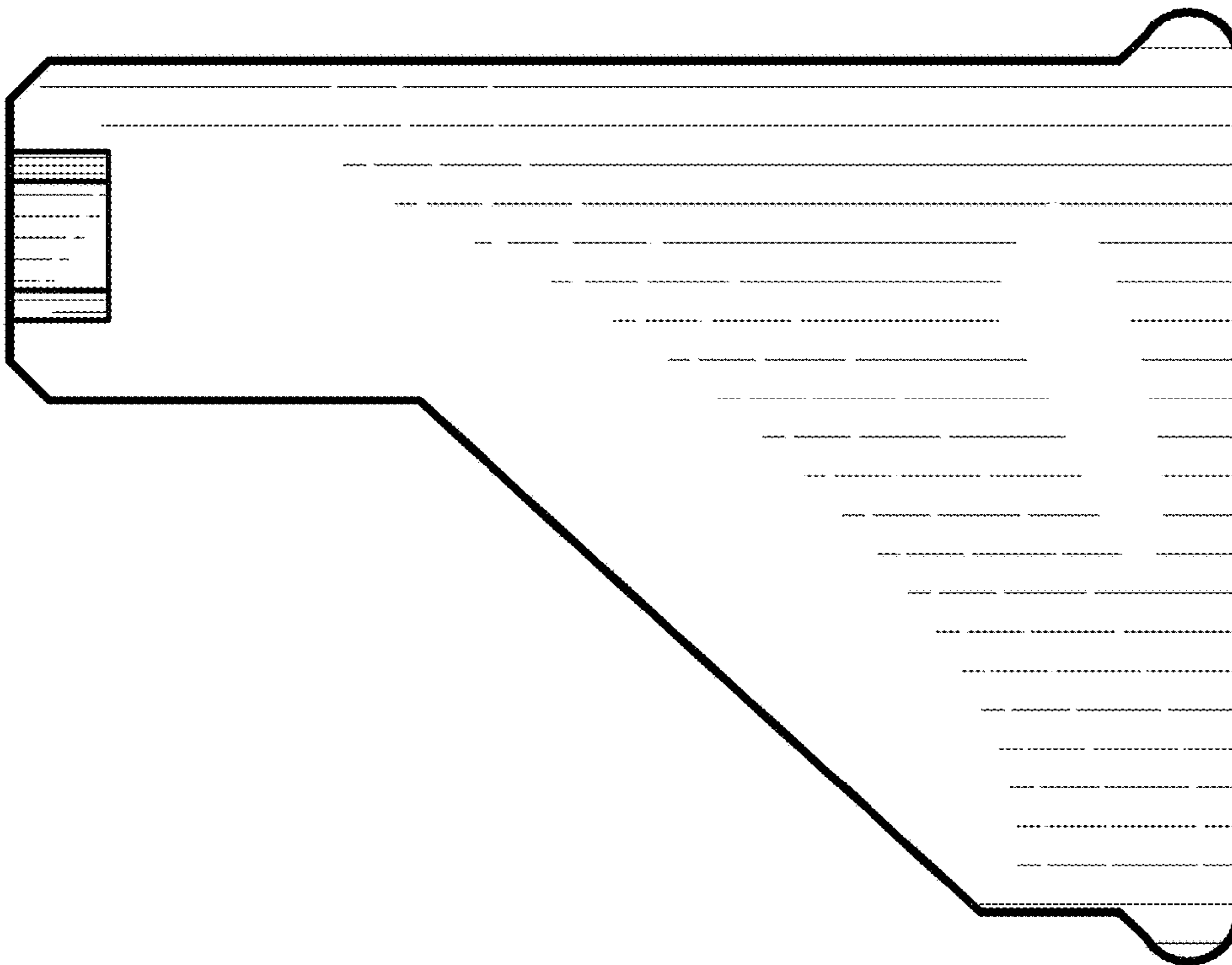


FIG. 4

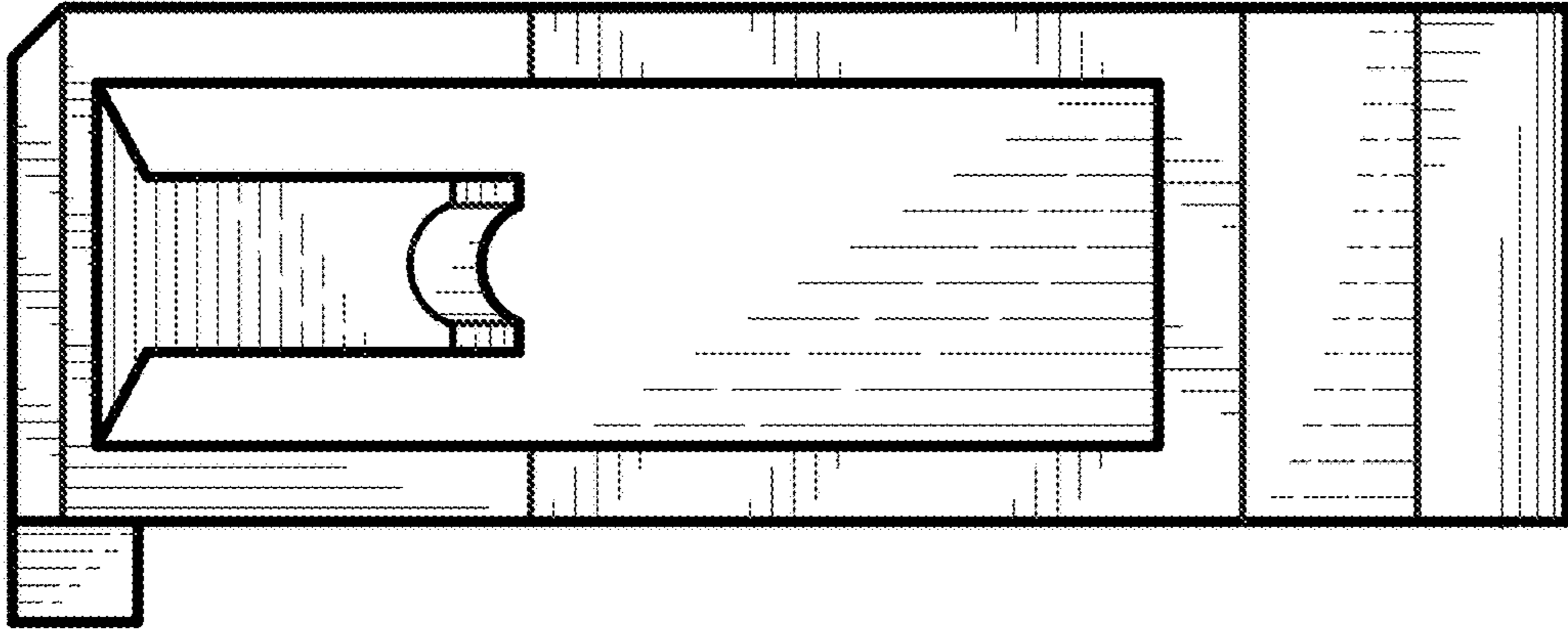


FIG. 7

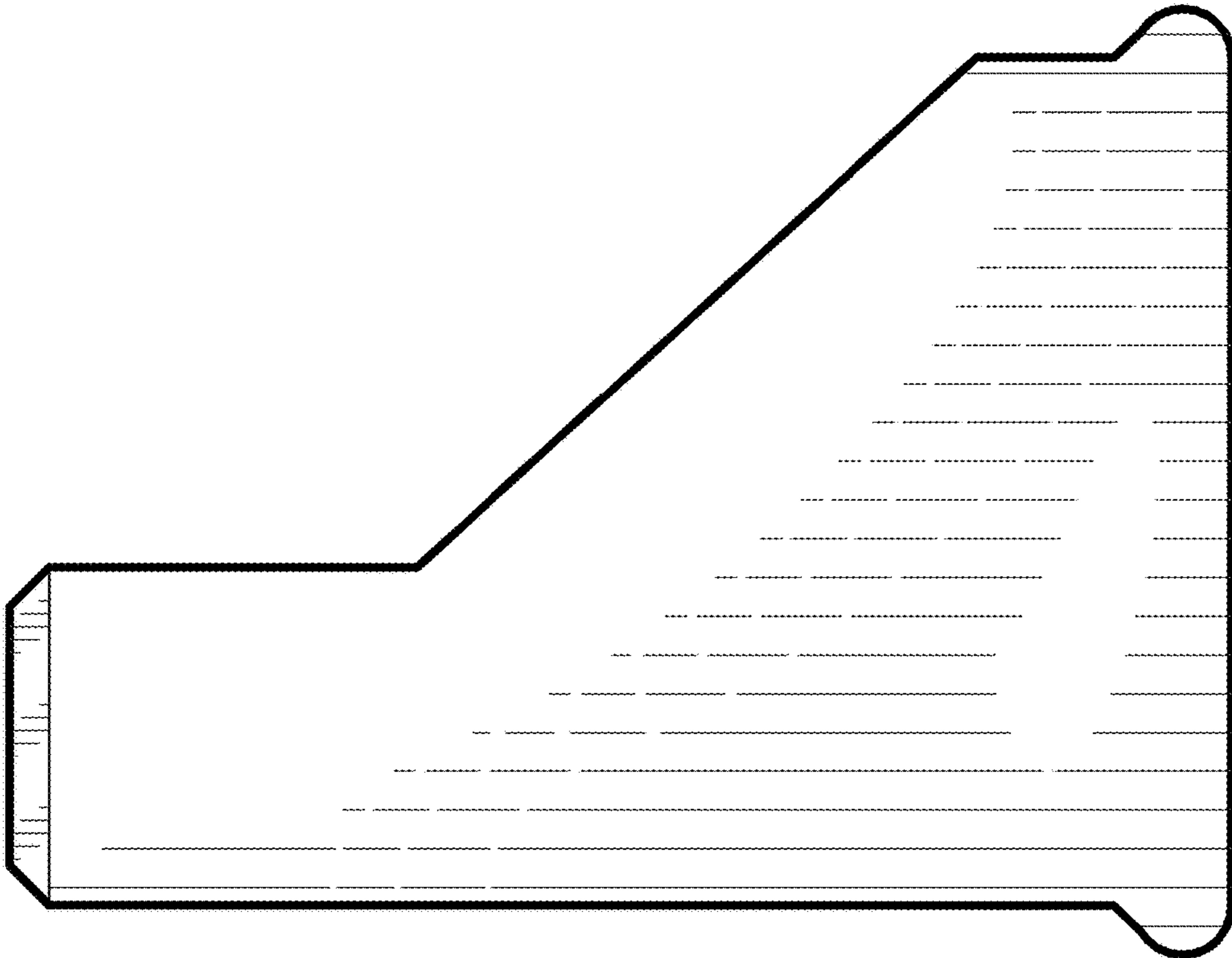


FIG. 6

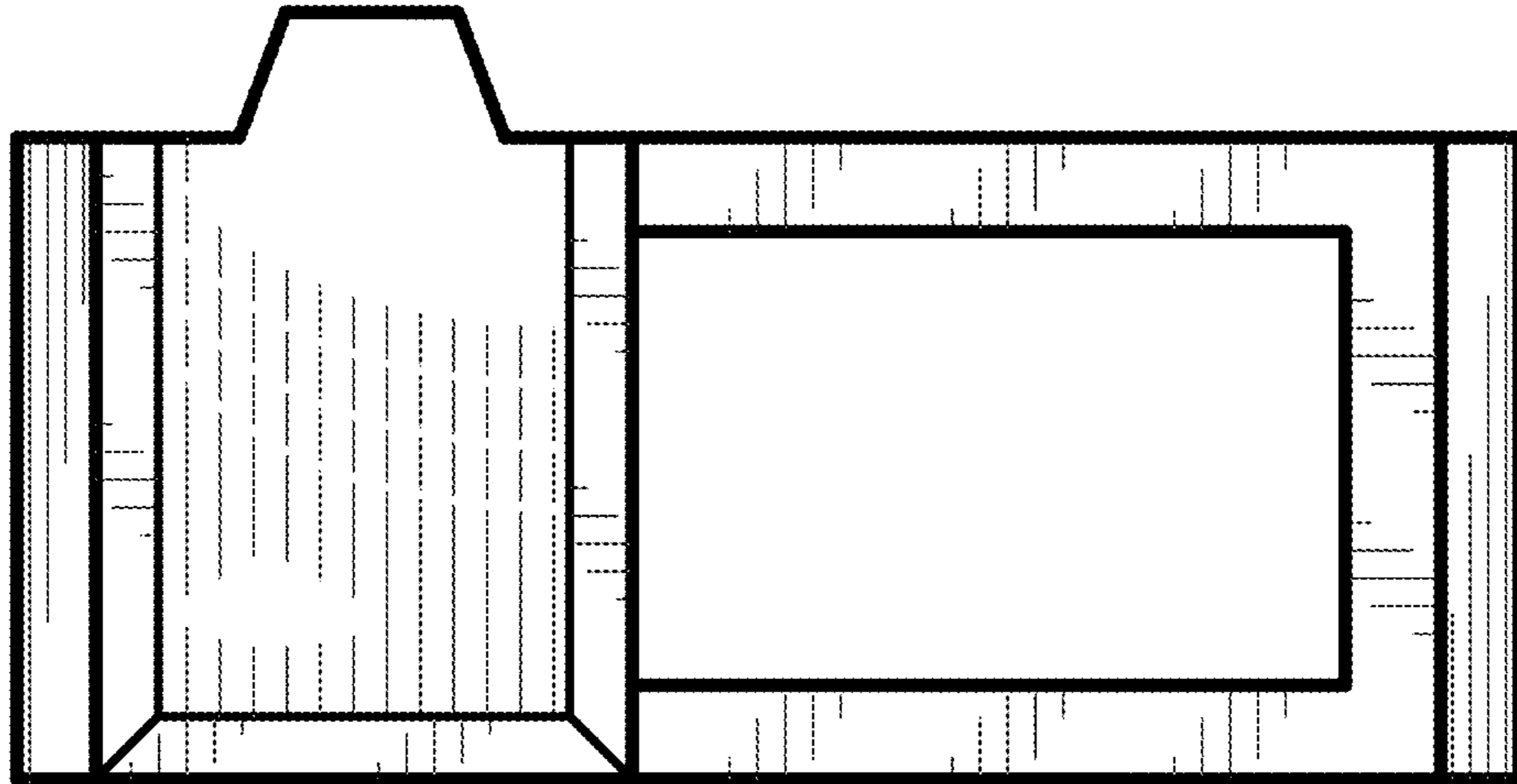


FIG. 8

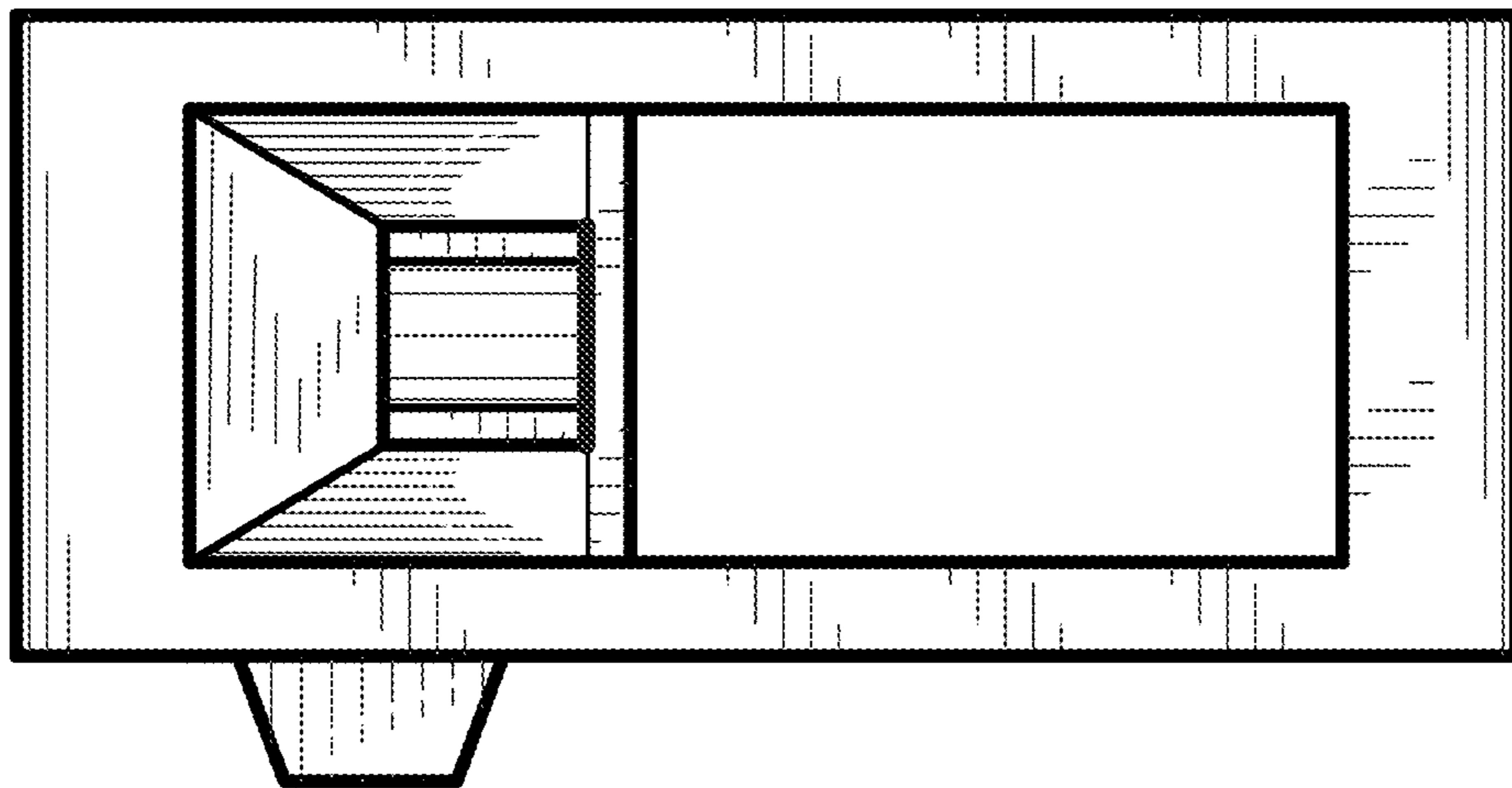


FIG. 9