



US00D821532S

(12) **United States Design Patent**
Zook et al.

(10) **Patent No.:** **US D821,532 S**
(45) **Date of Patent:** **** Jun. 26, 2018**

(54) **RIFLE FLOTATION DEVICE**

(71) Applicant: **Green Dragon Ventures**, Carlsbad, CA (US)

(72) Inventors: **Kristian Dawn Zook**, Carlsbad, CA (US); **David Phillip Ondash**, Carlsbad, CA (US)

(73) Assignee: **Green Dragon Ventures**, Carlsbad, CA (US)

(**) Term: **15 Years**

(21) Appl. No.: **29/587,874**

(22) Filed: **Dec. 15, 2016**

(51) **LOC (11) Cl.** **22-01**

(52) **U.S. Cl.**
USPC **D22/108**

(58) **Field of Classification Search**
USPC D22/108, 109, 110, 111; D21/769-770, D21/801, 803, 809; 114/253, 345-346; 441/35, 66, 74, 40-42, 129-132, 80; 472/128-129; D6/601, 392, 595, 596, D6/604, 605; D12/5, 6, 316; 5/630, 632, 5/633, 636-645, 648, 652-655, 655.3, 5/655.7, 655.9; D24/183, 190; D30/118
(Continued)

(56) **References Cited**

U.S. PATENT DOCUMENTS

D349,744 S * 8/1994 Wolfe D12/316
D350,326 S * 9/1994 Griffin D12/316
(Continued)

OTHER PUBLICATIONS

TUFD (Tactical Universal Floatation Device), SpecialForces.com, [online], [site visited Mar. 15, 2018]. <URL: <http://www.specialforces.com/tufd-tactical-universal-floatation-device-2>> (Year: 2018).*

specialforces.com/tufd-tactical-universal-floatation-device-2> (Year: 2018).*

(Continued)

Primary Examiner — T. Chase Nelson
Assistant Examiner — Jonathan J. Han
(74) *Attorney, Agent, or Firm* — Manuel de la Cerra

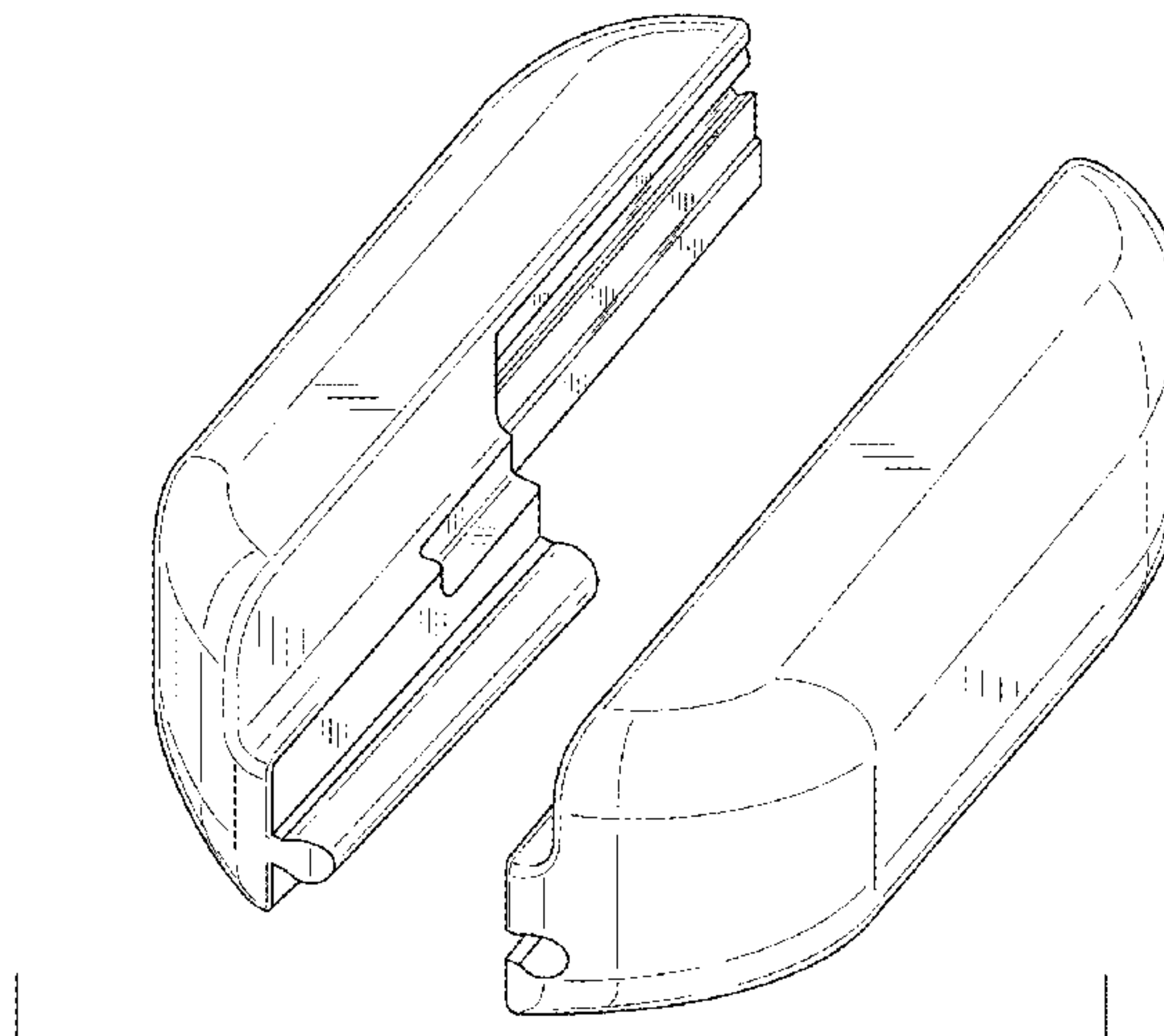
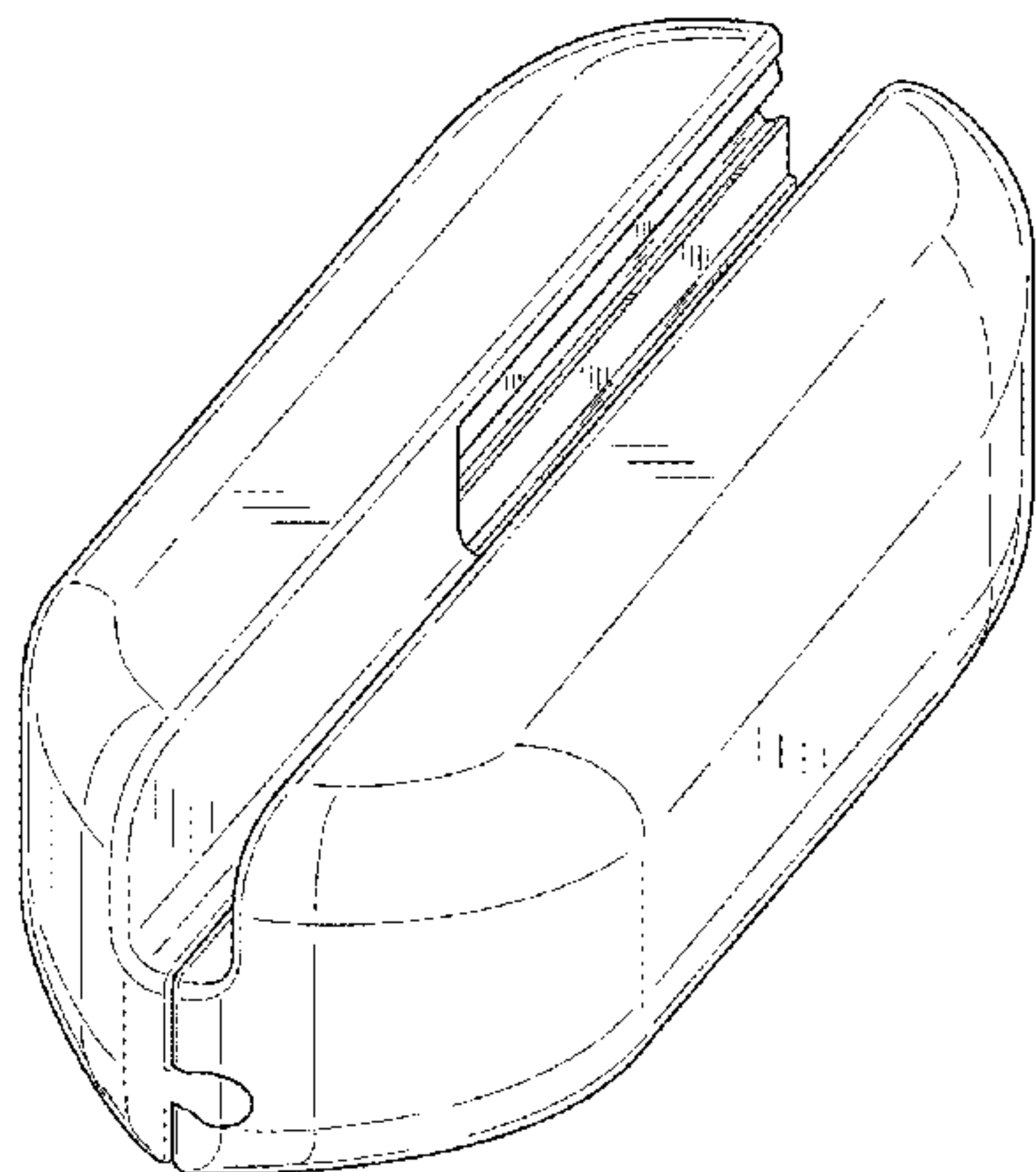
(57) **CLAIM**

The ornamental design for a rifle flotation device, as shown and described.

DESCRIPTION

FIG. 1 is a top front perspective view of a rifle flotation device.
FIG. 2 is a bottom rear perspective view thereof.
FIG. 3 is a front view thereof.
FIG. 4 is rear view thereof.
FIG. 5 is a top view thereof.
FIG. 6 is a bottom view thereof.
FIG. 7 is a right-side view thereof.
FIG. 8 is a left-side view thereof.
FIG. 9 is a top front perspective exploded view thereof.
FIG. 10 is a bottom rear perspective exploded view thereof.
FIG. 11 is a front exploded view thereof.
FIG. 12 is a rear exploded view thereof.
FIG. 13 is a top exploded view thereof.
FIG. 14 is a rear exploded view thereof.
FIG. 15 is a right-side exploded view thereof.
FIG. 16 is a left-side exploded view thereof.
FIG. 17 is a top rear perspective view of a portion of the rifle flotation device mounted to a rifle.
FIG. 18 is a right-side view of a portion of the rifle flotation device mounted to a rifle; and,
FIG. 19 is a top front perspective view of both portions of the rifle flotation device mounted to a rifle.
The broken lines used to show a rifle in FIGS. 17-19 illustrate unclaimed environment and form no part of the claimed design.

1 Claim, 12 Drawing Sheets



(58) **Field of Classification Search**
 CPC F41C 27/00; B63B 22/00; B63B 35/76;
 B63B 35/74; B63C 9/08; B63H 16/04;
 A61H 37/005; A47C 7/383; A47G 9/10;
 A47G 9/1054; A47G 9/1081; A47G
 9/1072; A61G 2200/325; A61G 13/121
 See application file for complete search history.

(56) **References Cited**

U.S. PATENT DOCUMENTS

5,355,825 A * 10/1994 Lefebvre B63B 35/34
 114/263
 D423,096 S * 4/2000 Kwok D24/110.1
 D624,344 S * 9/2010 Kashey D6/601
 7,927,162 B1 * 4/2011 Doubleday B63C 9/20
 441/116
 D651,155 S * 12/2011 Almestad D12/317
 D664,799 S * 8/2012 Schwingendorf D6/601
 D679,770 S * 4/2013 Berenson D21/803
 D710,568 S * 8/2014 Fox D1/199
 D718,074 S * 11/2014 Savolainen D6/601
 D722,667 S * 2/2015 Hsu D21/803
 D723,446 S * 3/2015 Wemesfelder D12/316
 D732,312 S * 6/2015 Tiffin D6/601
 D732,314 S * 6/2015 Fux D6/601
 D755,306 S * 5/2016 Lee D21/428
 D755,543 S * 5/2016 Upadhyay D6/601
 D769,029 S * 10/2016 Okwumabua D6/601
 D778,079 S * 2/2017 Porter D6/354
 D778,361 S * 2/2017 Piffaretti D20/35
 D780,484 S * 3/2017 Goddard D6/601
 D787,233 S * 5/2017 Wang D6/601
 9,648,959 B2 * 5/2017 Frydman A47C 20/021

D789,867 S * 6/2017 Walpurgis D12/308
 D791,508 S * 7/2017 Chen D6/601
 D791,510 S * 7/2017 Renna D6/601
 D794,535 S * 8/2017 Chen D12/215
 9,738,352 B1 * 8/2017 Zook F41C 27/00
 D800,395 S * 10/2017 Olley D30/118
 D806,351 S * 1/2018 Belt D1/199
 9,862,462 B1 * 1/2018 Zook, Jr. F41C 27/00
 2003/0079291 A1 * 5/2003 Graham A47C 20/026
 5/630
 2013/0059493 A1 * 3/2013 Downing, Jr. B63C 9/08
 441/80
 2014/0310877 A1 * 10/2014 Sternlight A47G 9/10
 5/639
 2016/0296030 A1 * 10/2016 Frydman A47C 20/021
 2017/0251813 A1 * 9/2017 Komsky A47C 7/383
 2018/0042409 A1 * 2/2018 Johnson A47G 9/1054
 2018/0063612 A1 * 3/2018 Fuchs H04R 1/028

OTHER PUBLICATIONS

Tactical Flotation, Tactical-Life.com, Oct. 1, 2007,[online], [site visited Mar. 15, 2018]. <URL: <https://www.tactical-life.com/fire-arms/tactical-flotation/>> (Year: 2007).*

Sale! Speed Hound Swim Buoy, BroadcastRichmondVA.com, Jul. 2, 2017, [online], [site visited Mar. 15, 2018]. <URL: <http://broadcastrichmondva.com/store/sale-speed-hound-swim-buoy-open-water-swim-buoy>> (Year: 2017).*

Corral Oval Foam Peg Floats—Slotted, BottomDwellersTackle.com, [online], [site visited Mar. 15, 2018]. <URL: <https://bottomdwellertackle.com/product/comal-oval-foam-peg-floats-slotted/>> (Year: 2018).*

* cited by examiner

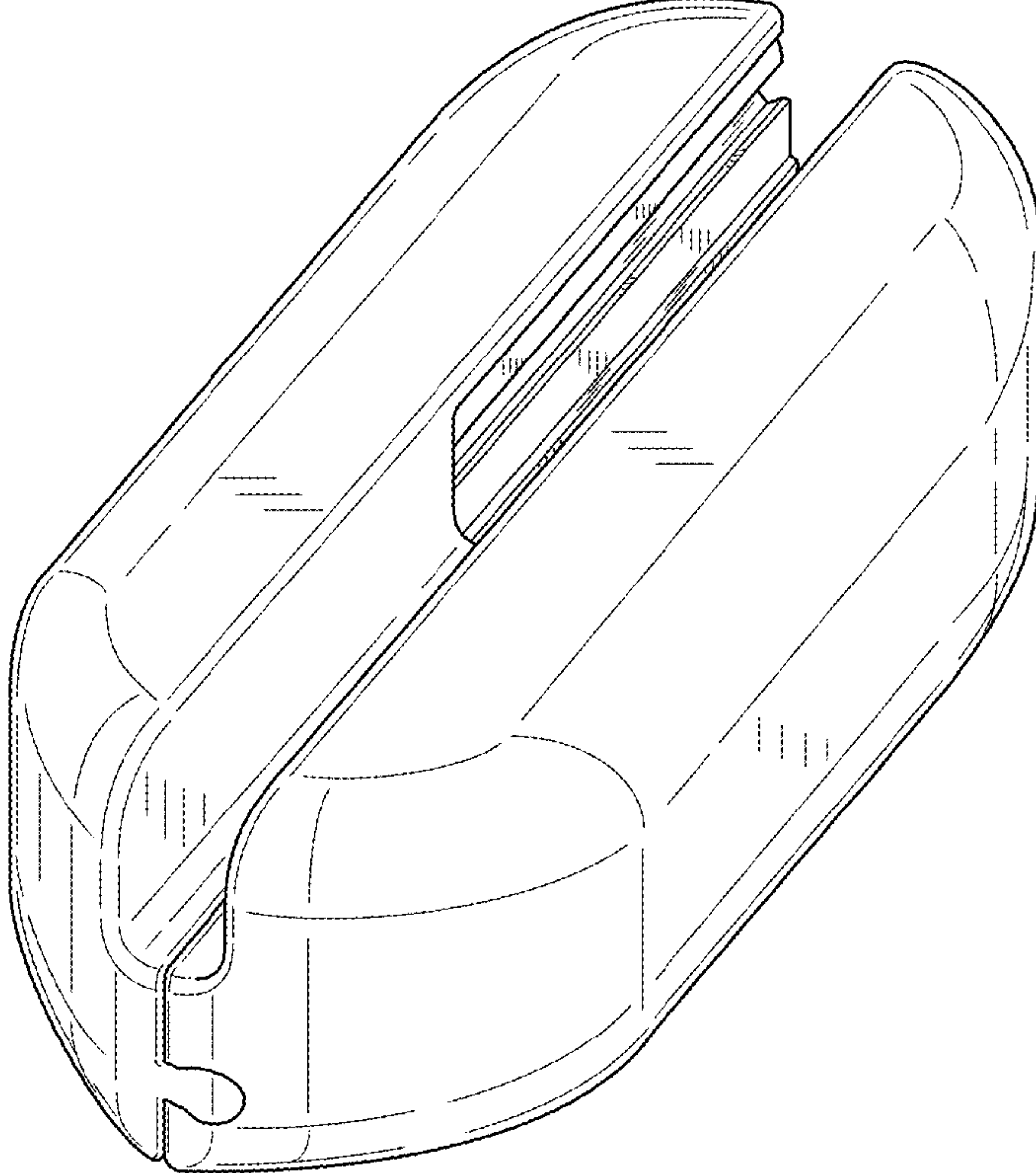


FIG. 1

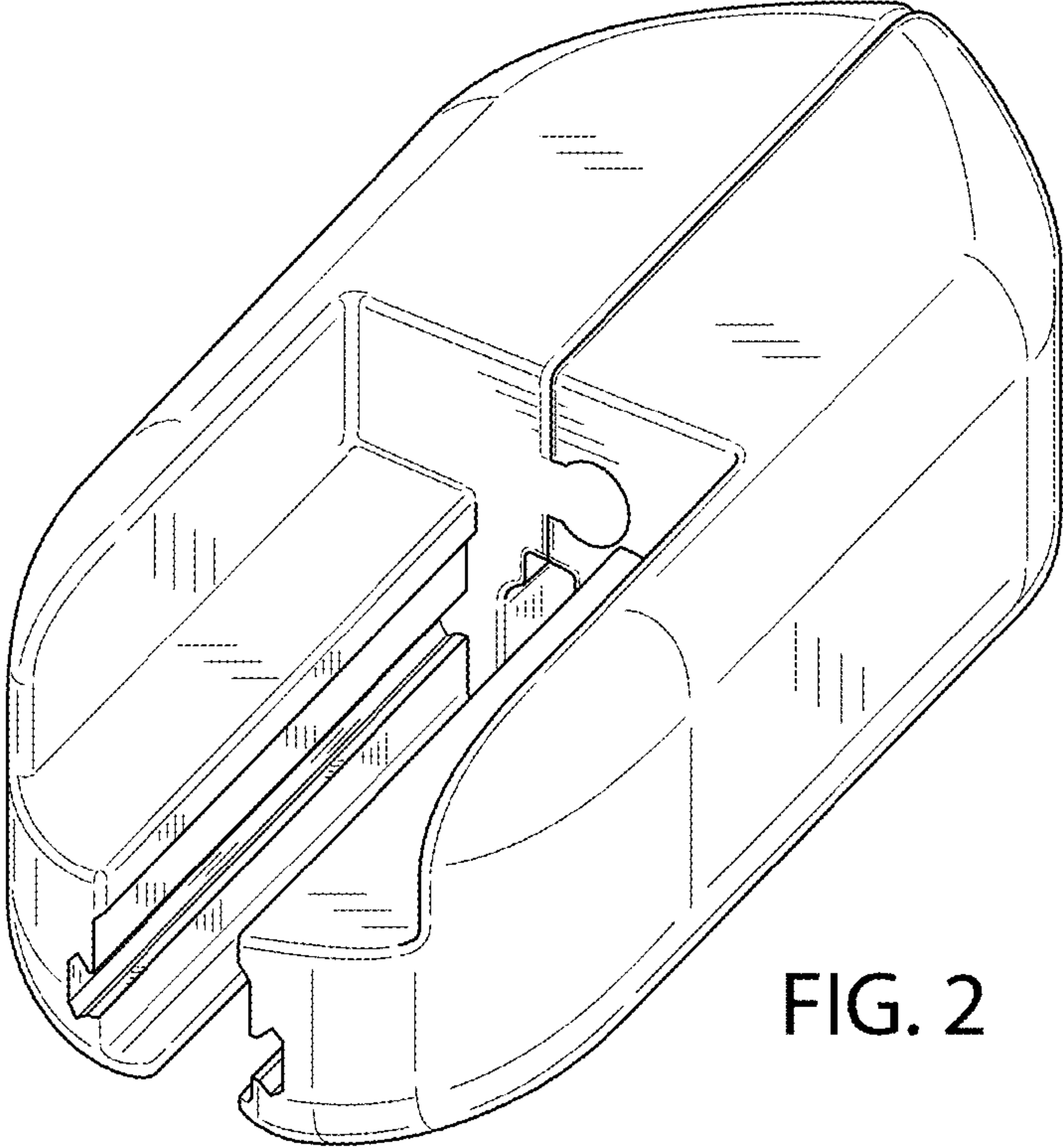


FIG. 2

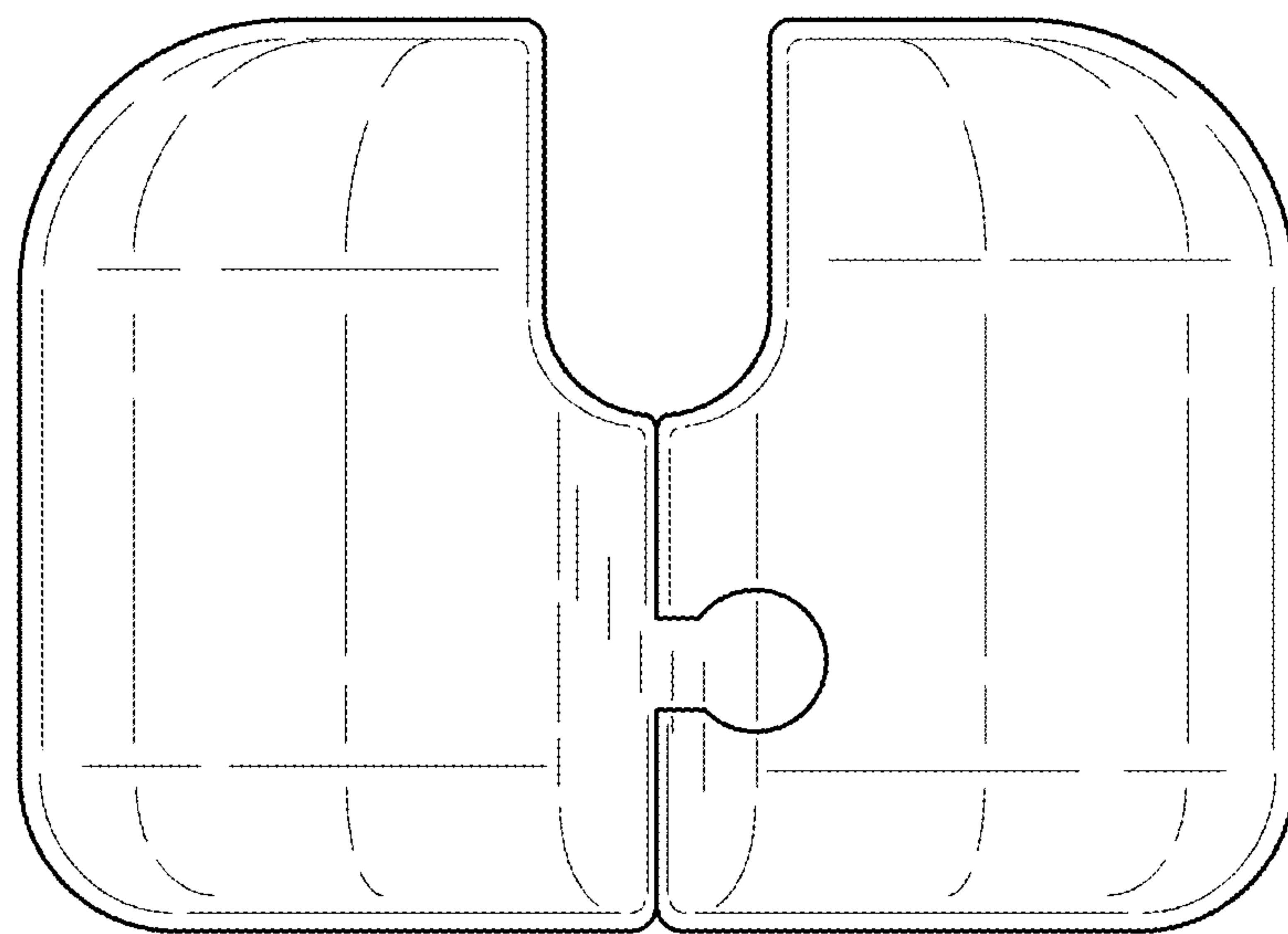


FIG. 3

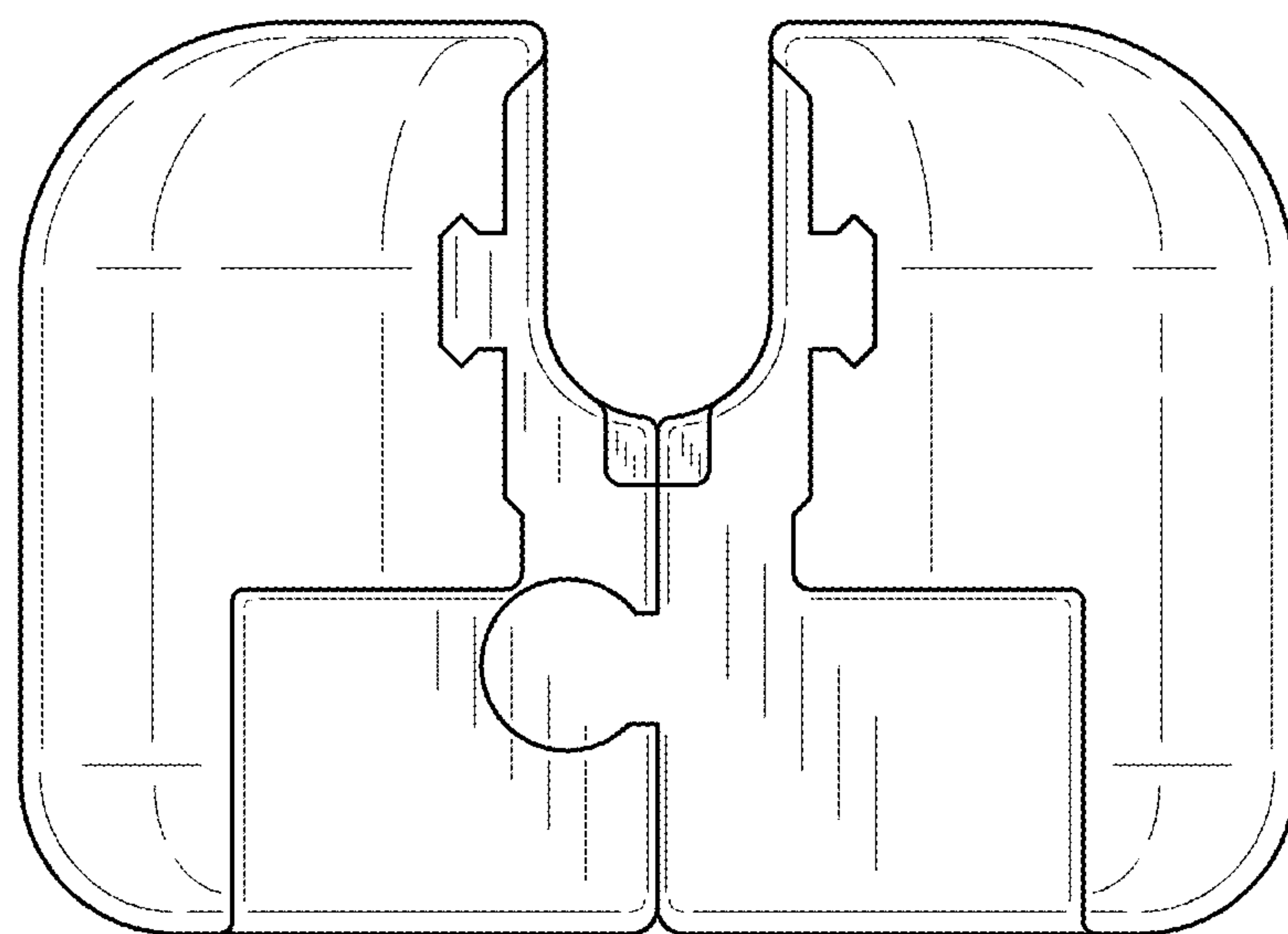


FIG. 4

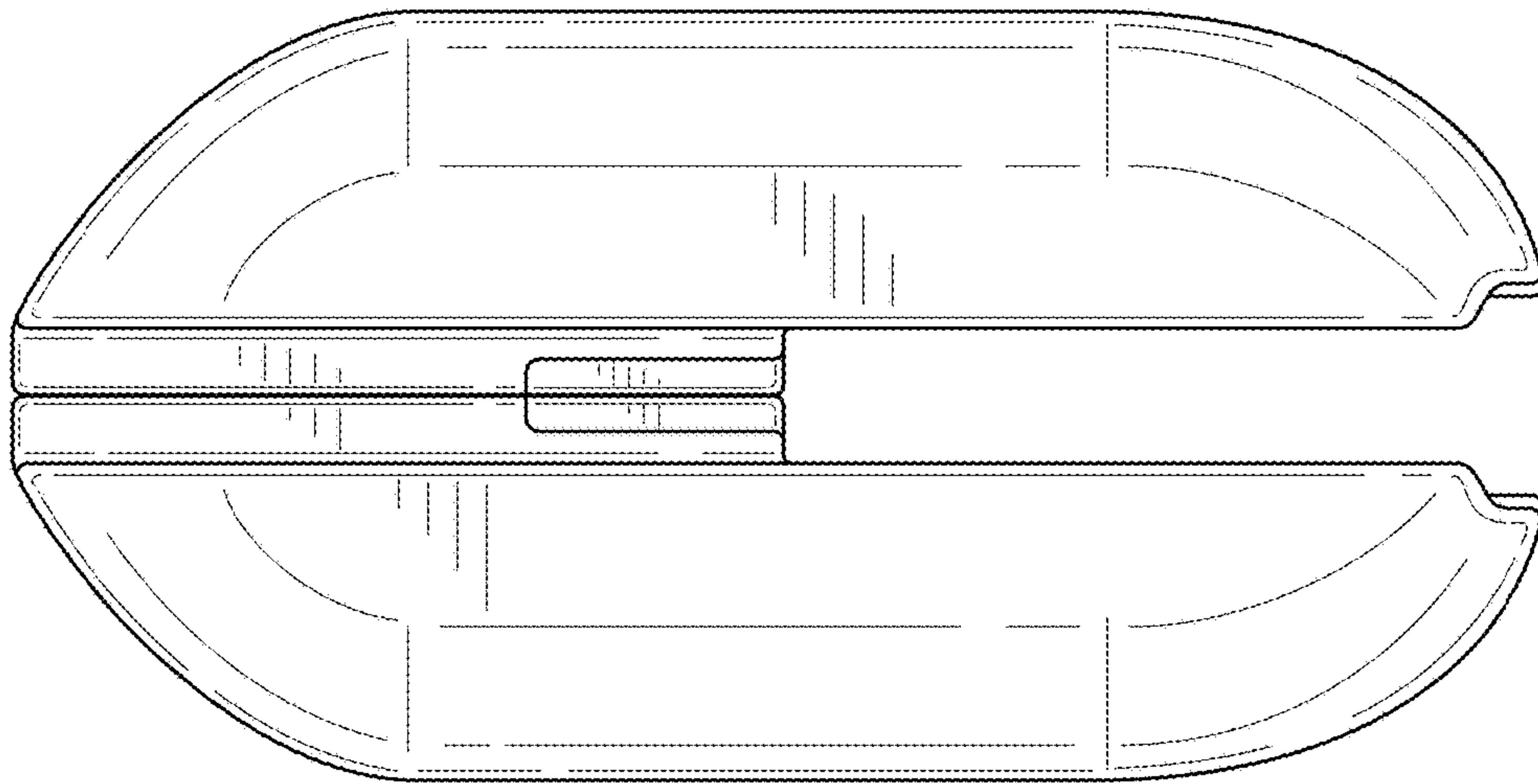


FIG. 5

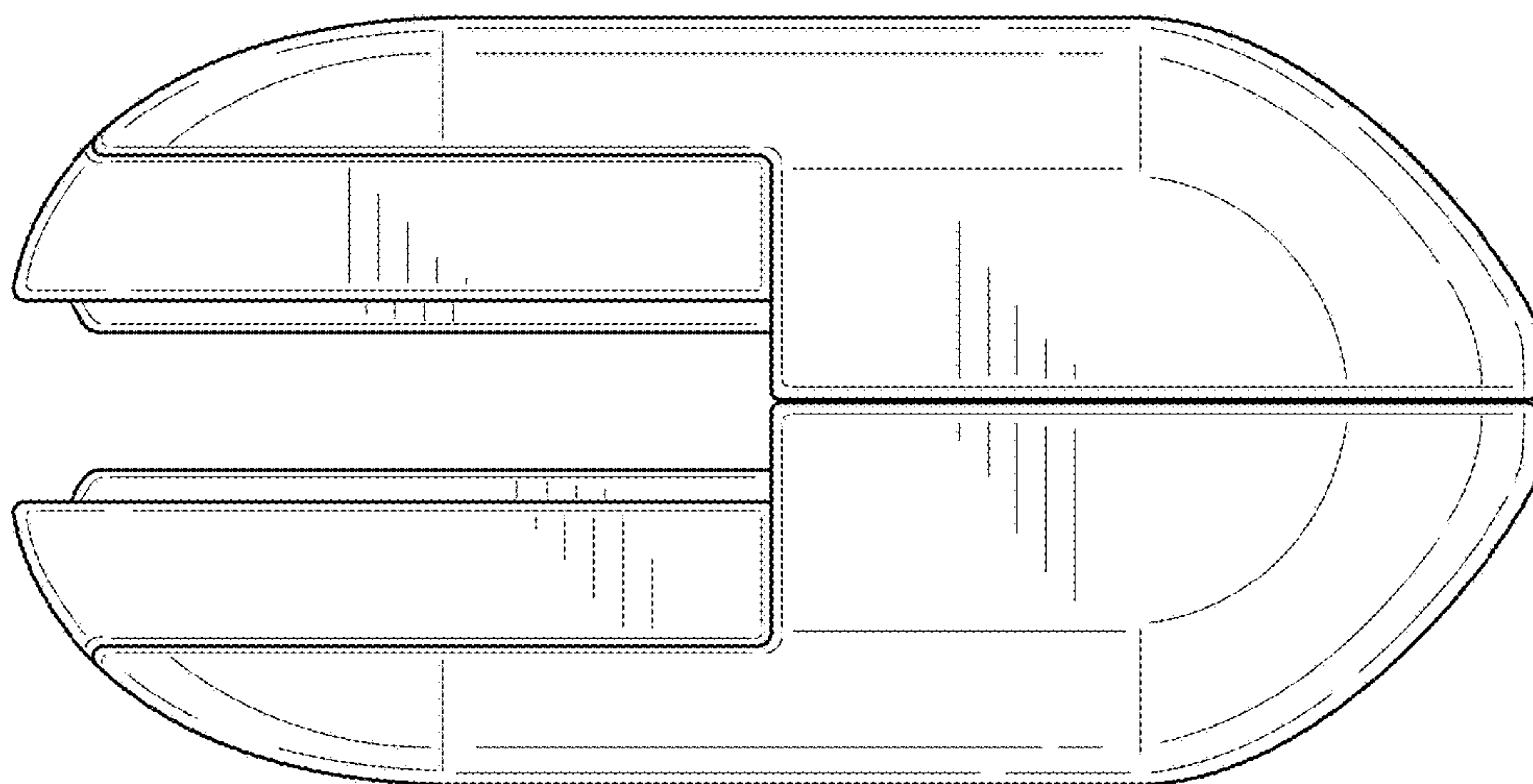


FIG. 6

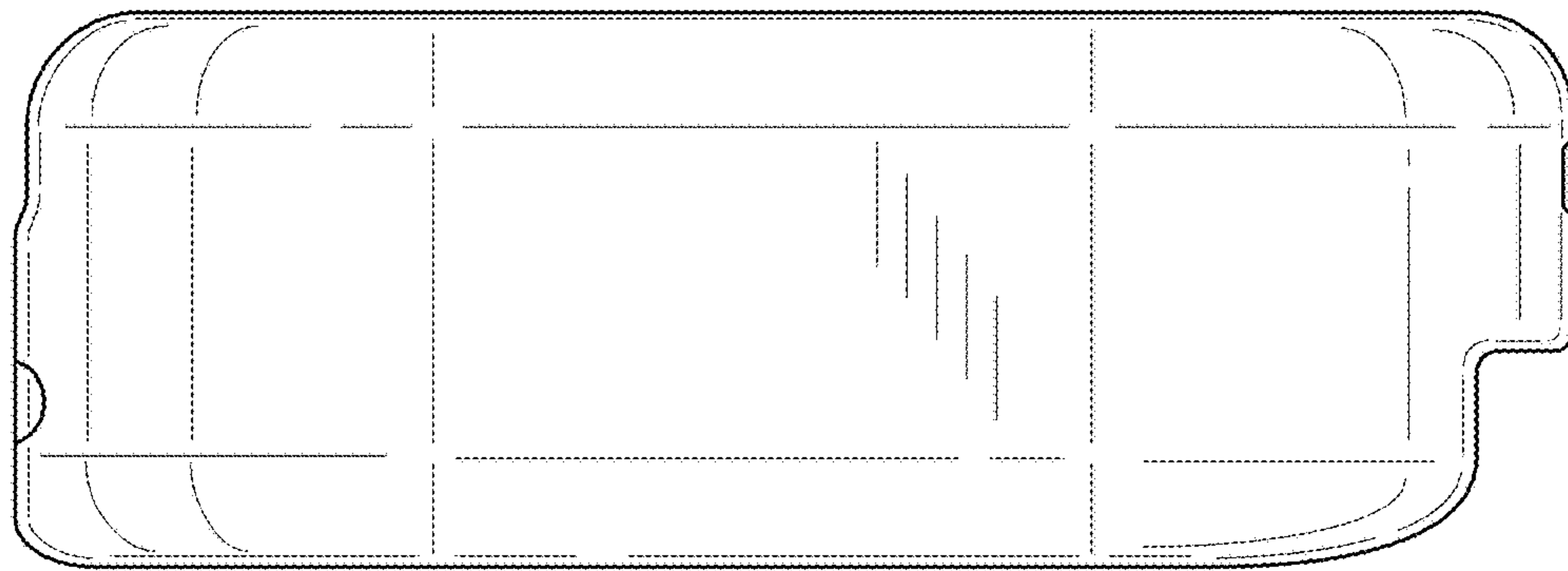


FIG. 7

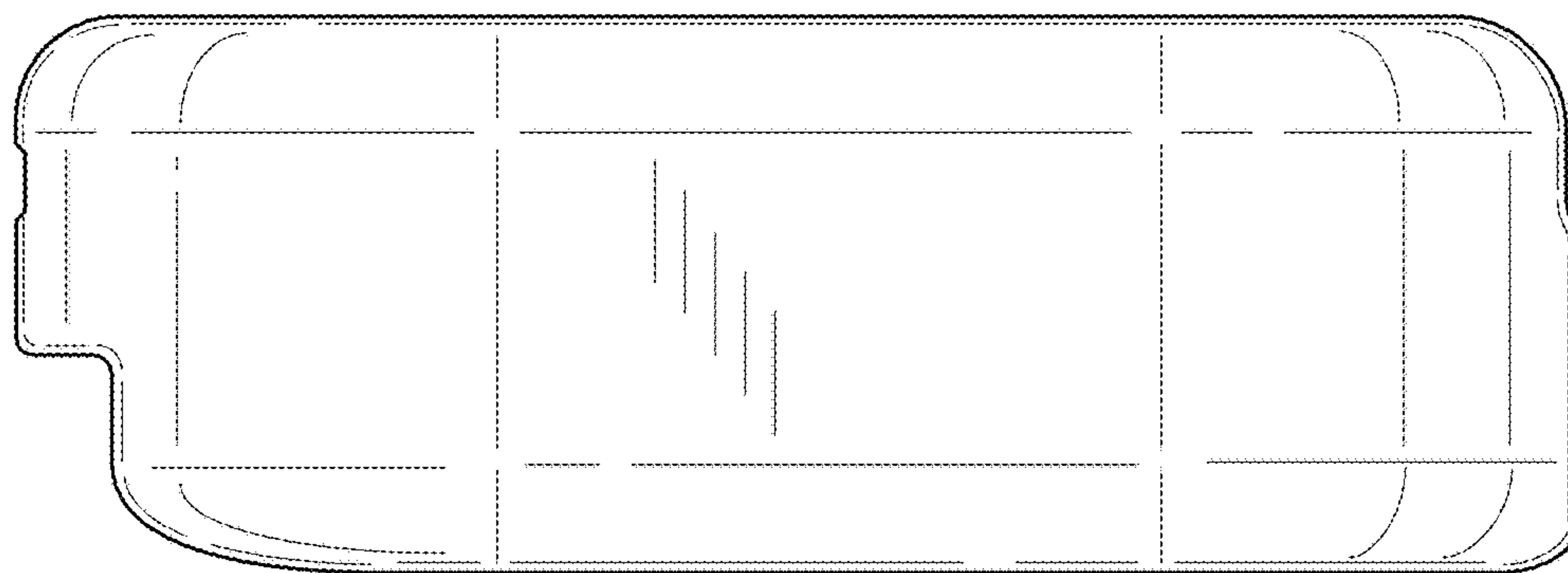
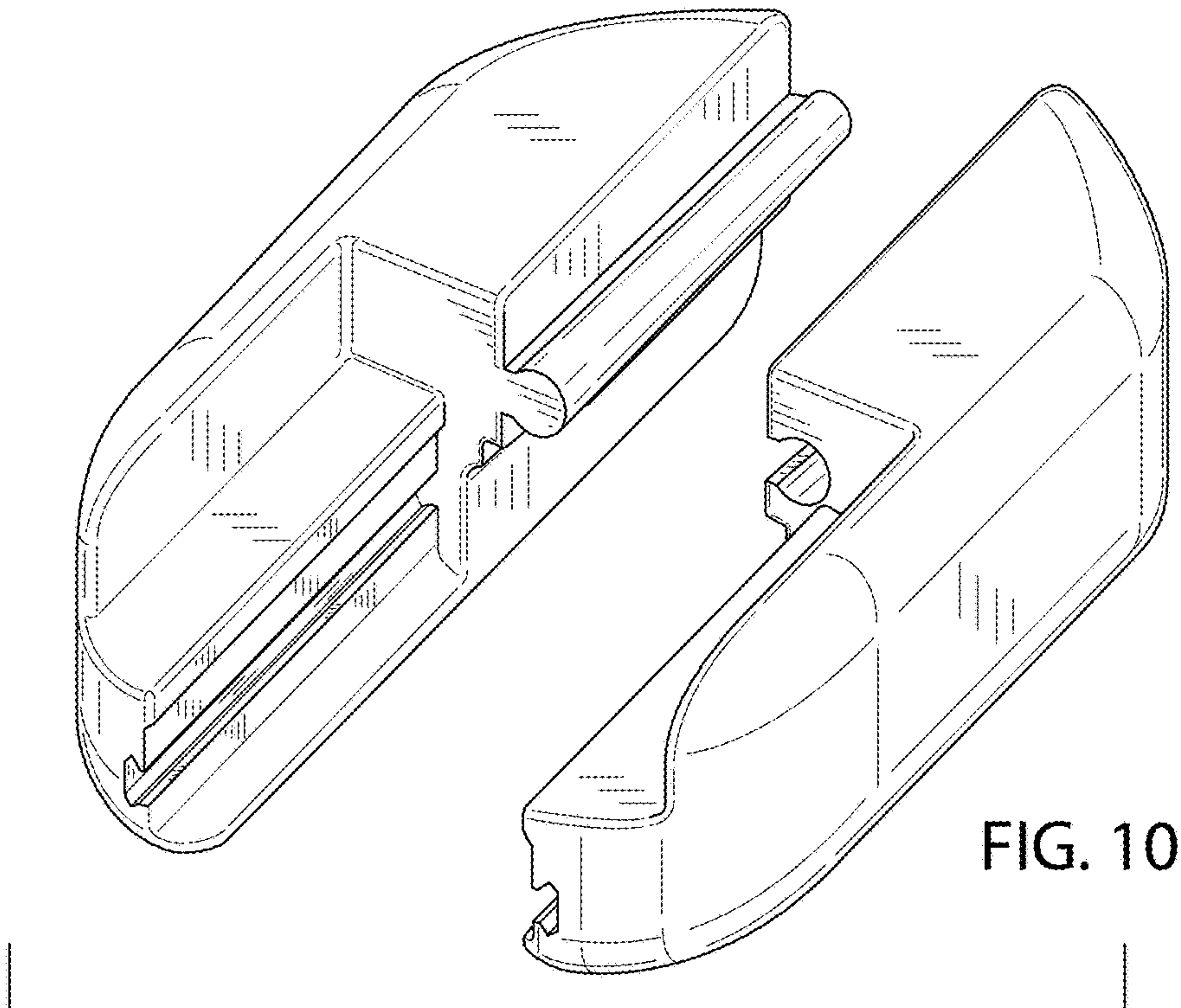
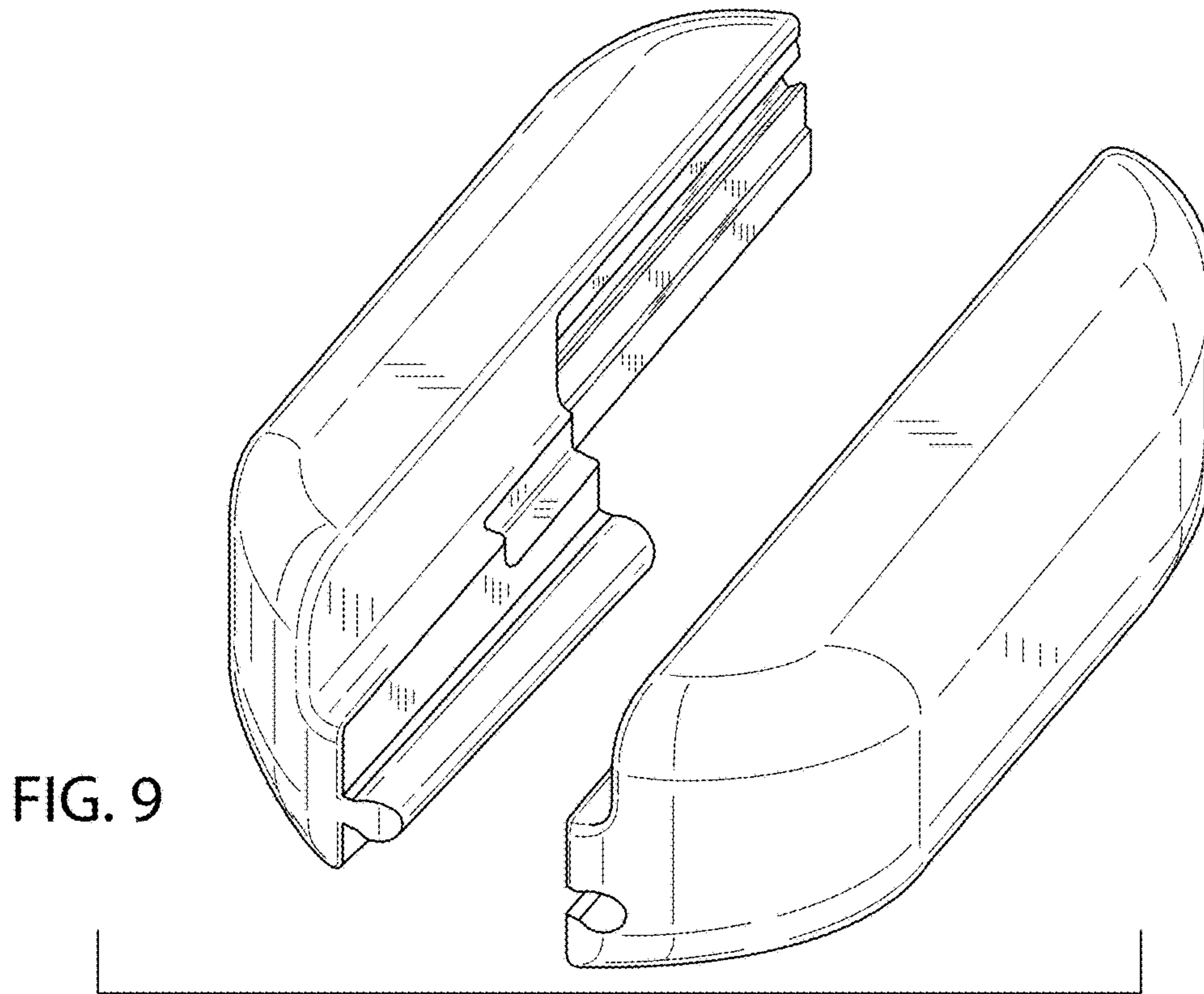


FIG. 8



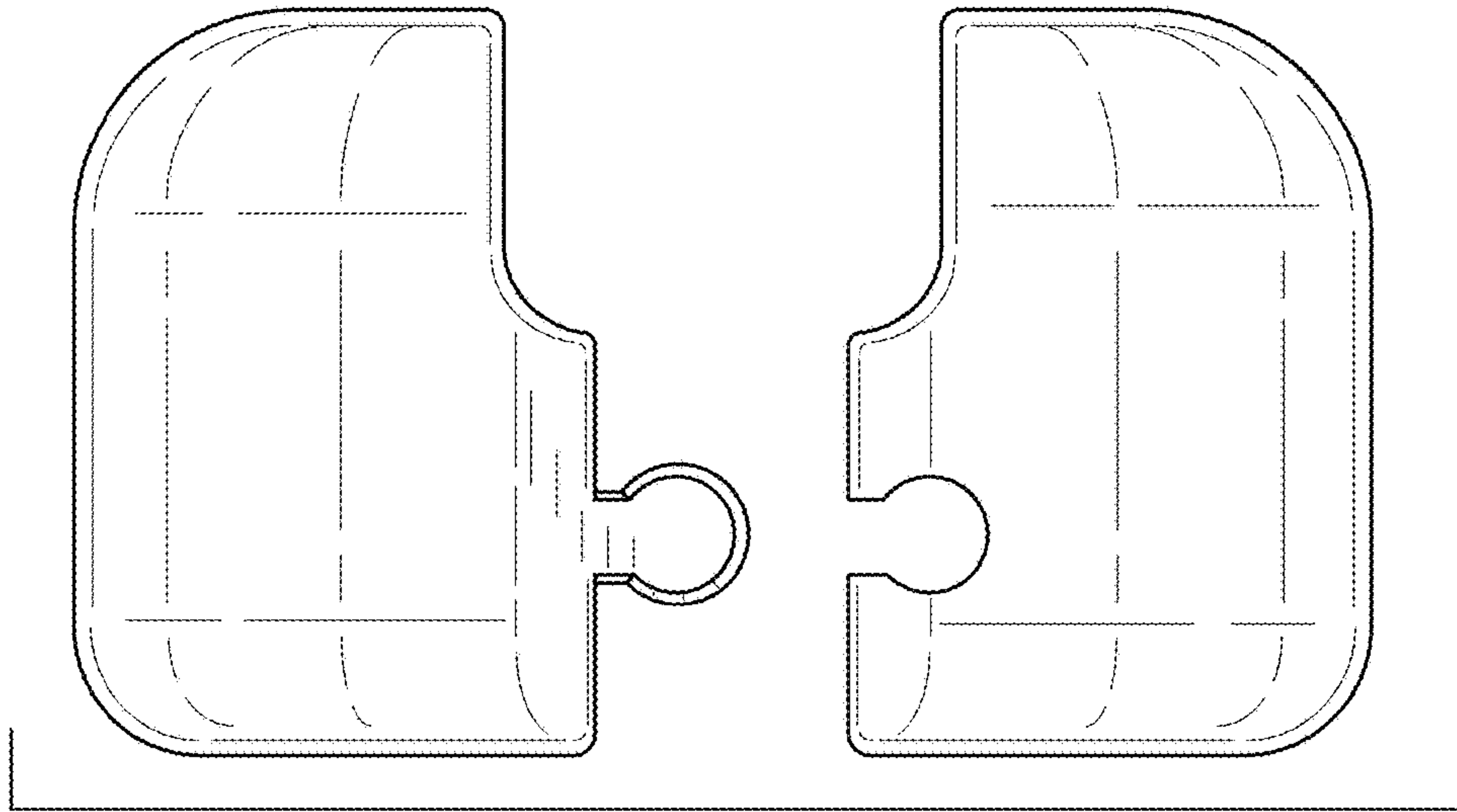


FIG. 11

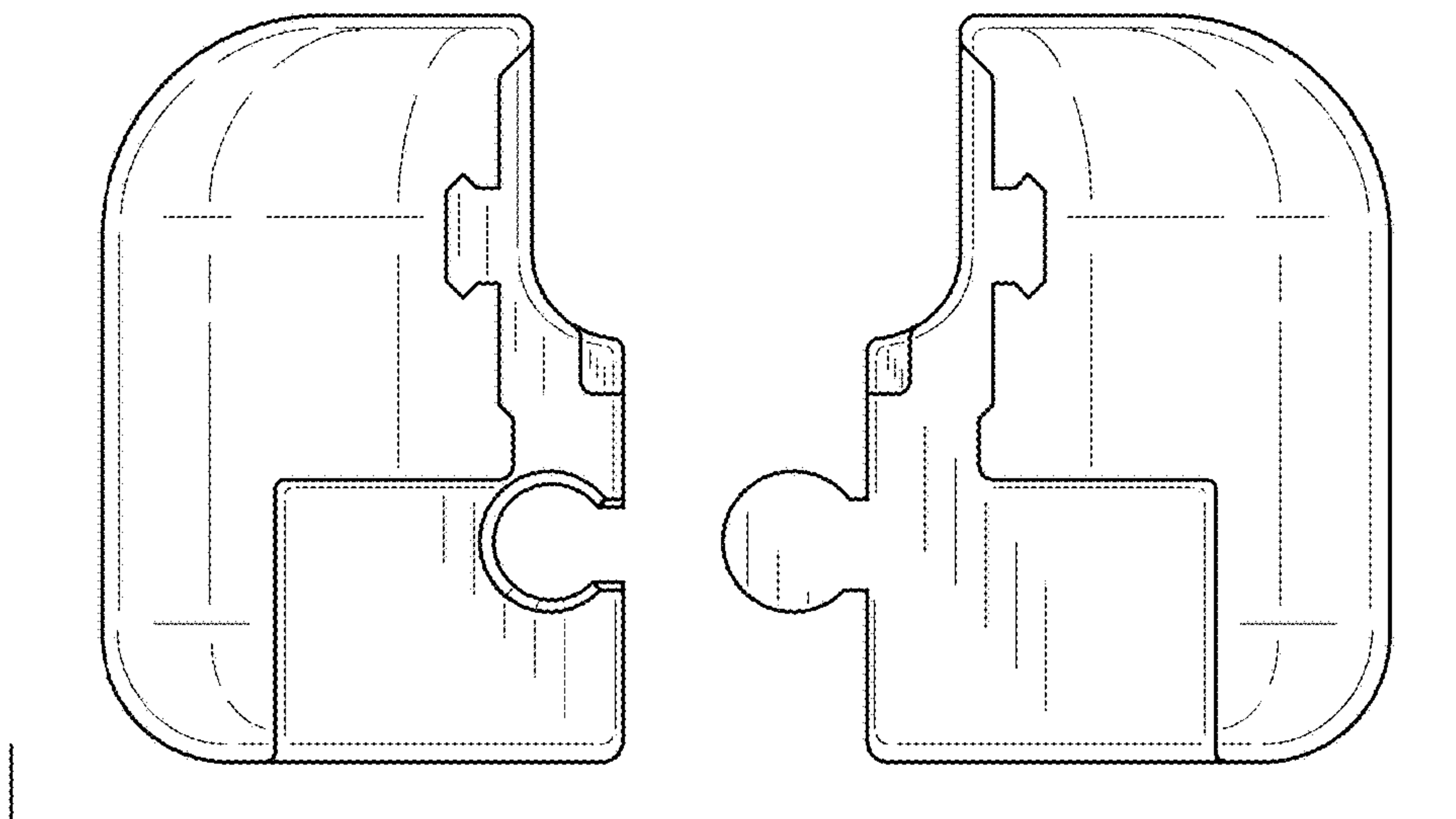


FIG. 12

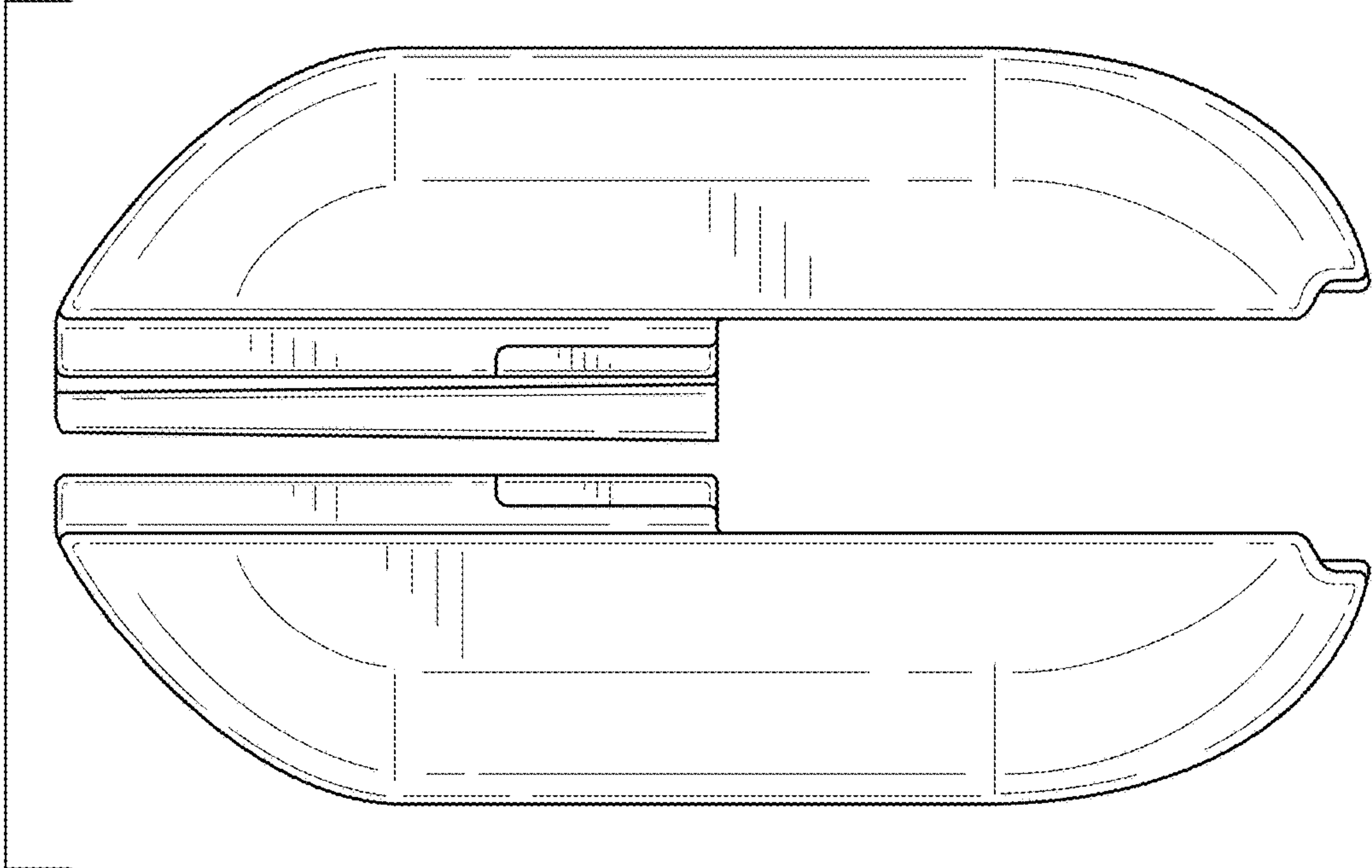


FIG. 13

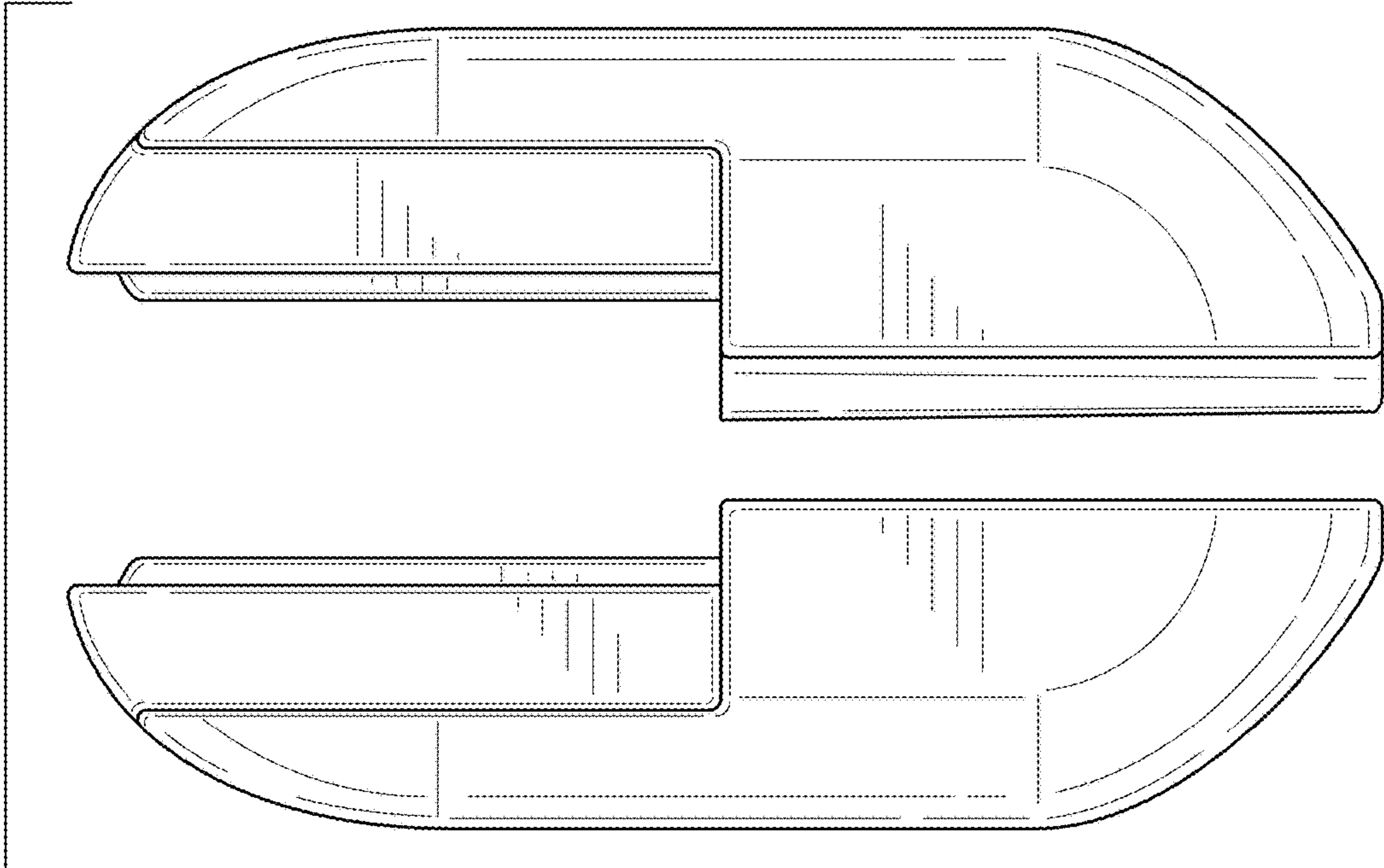


FIG. 14

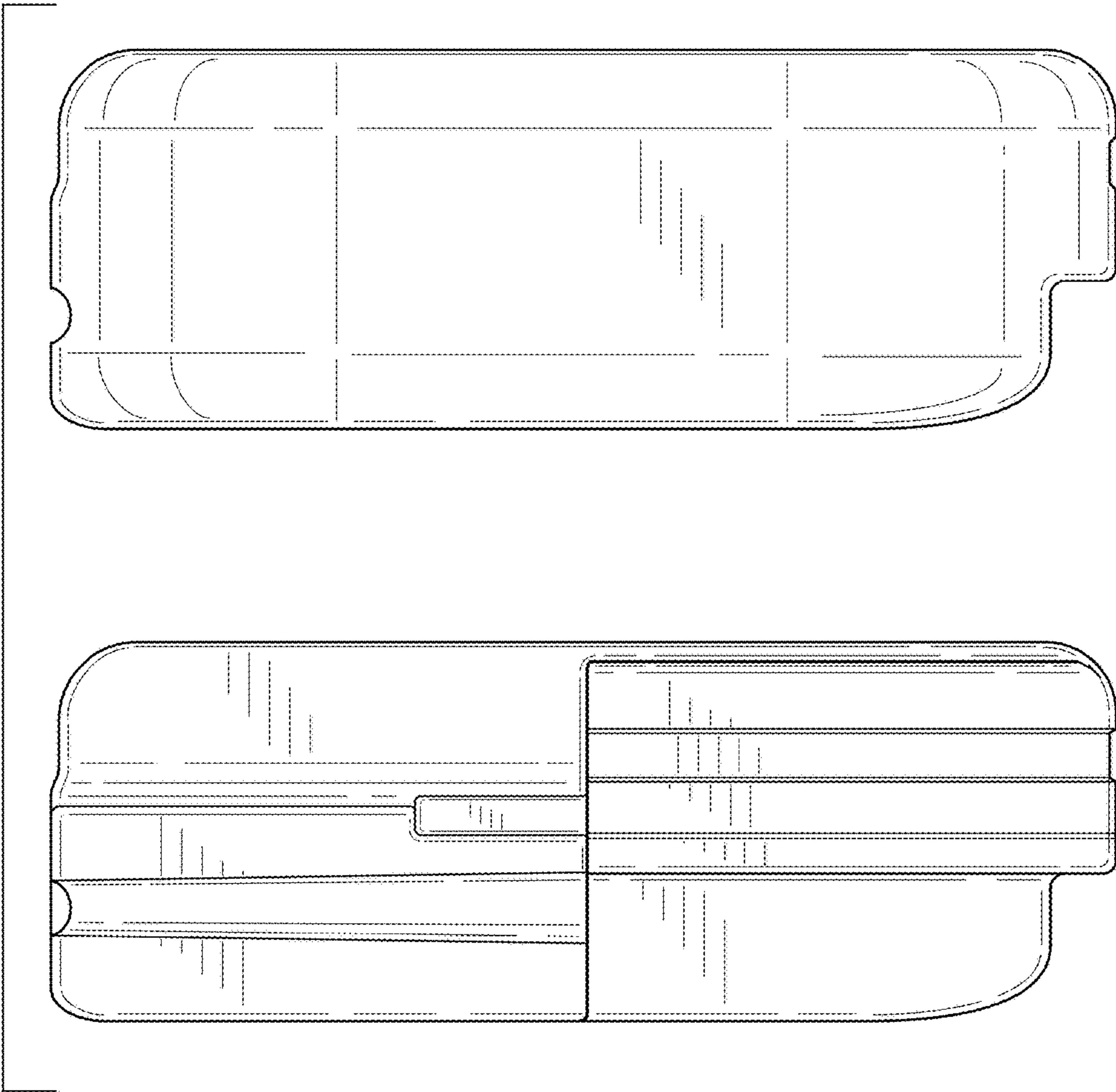


FIG. 15

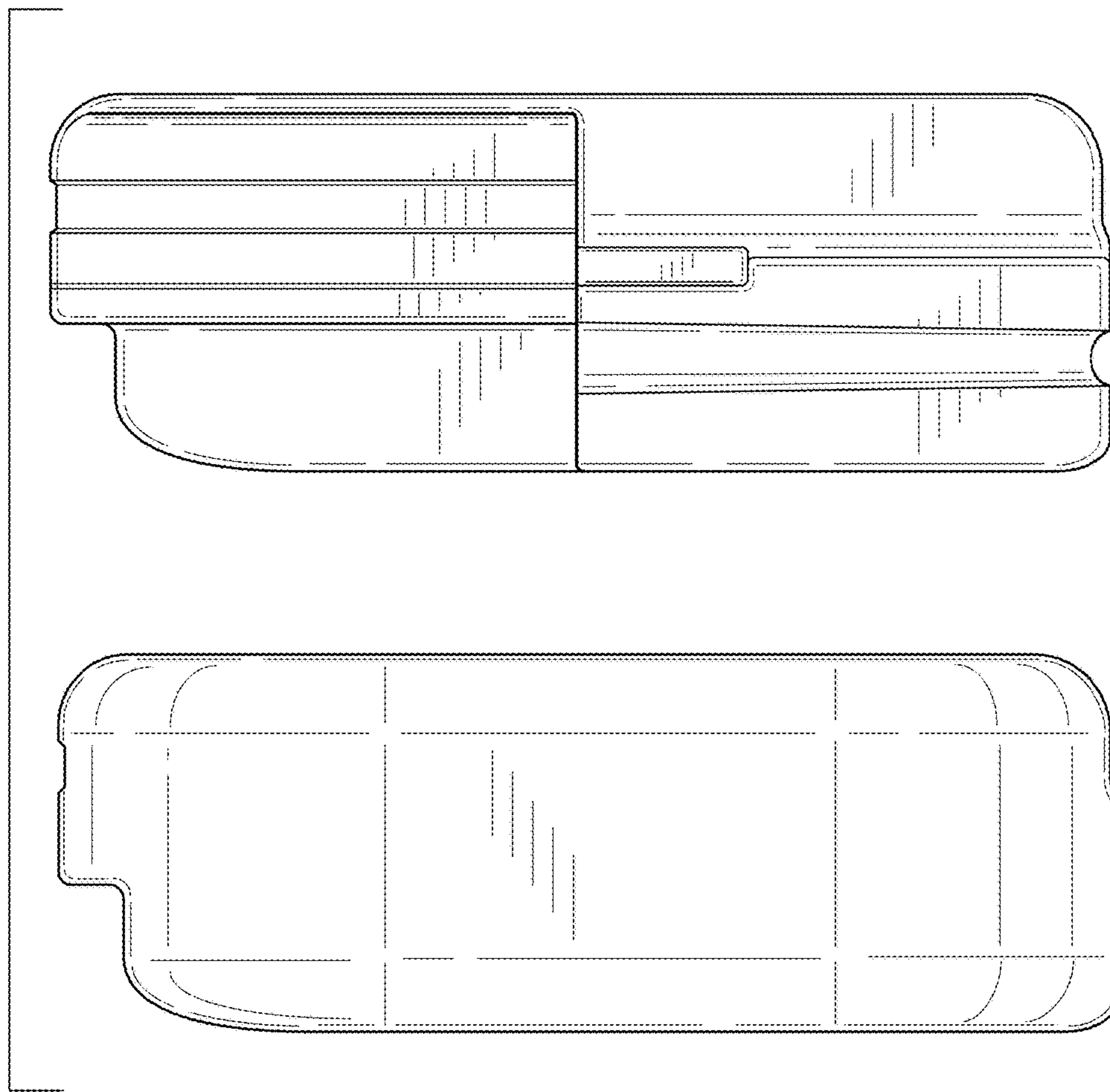


FIG. 16

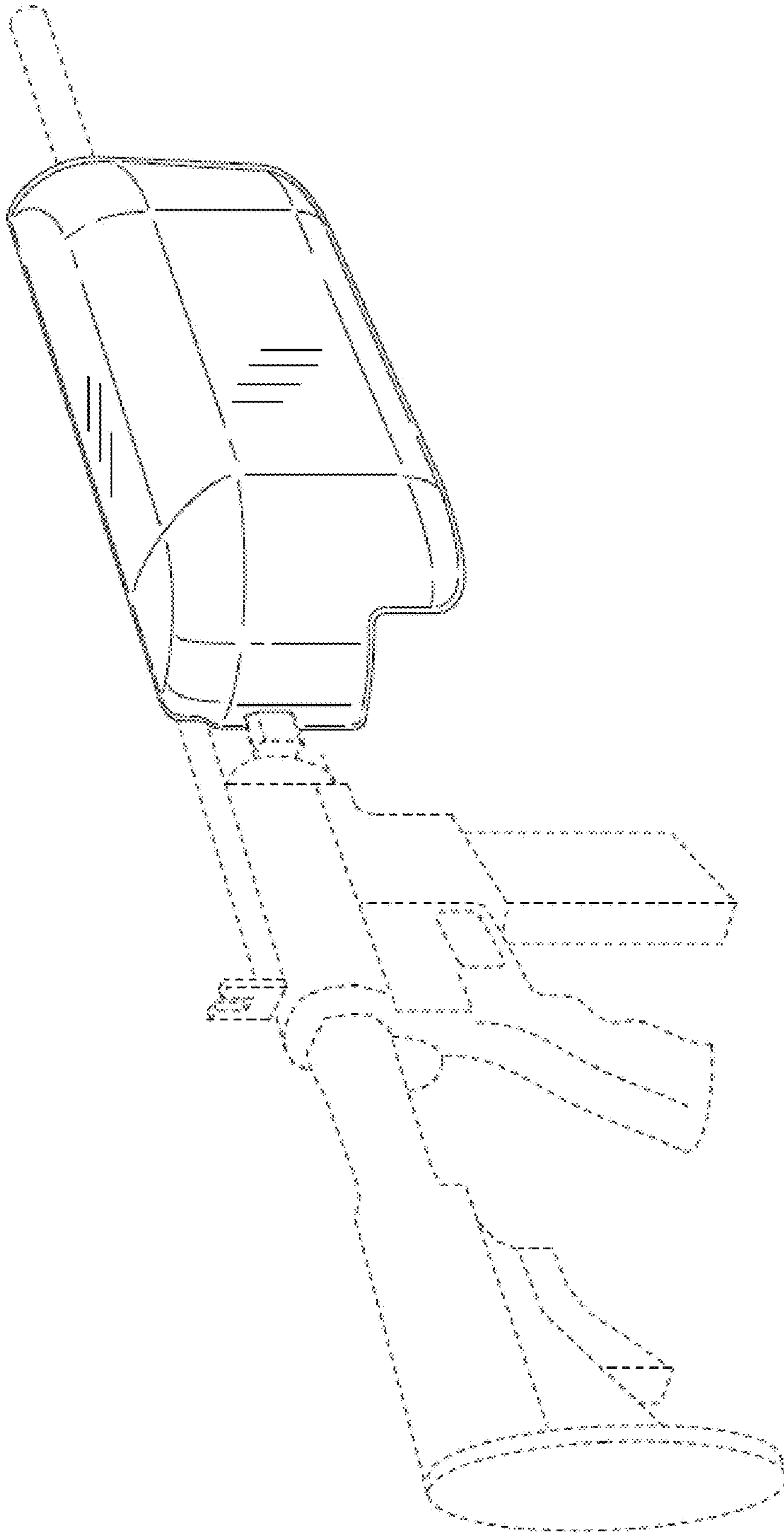


FIG. 17

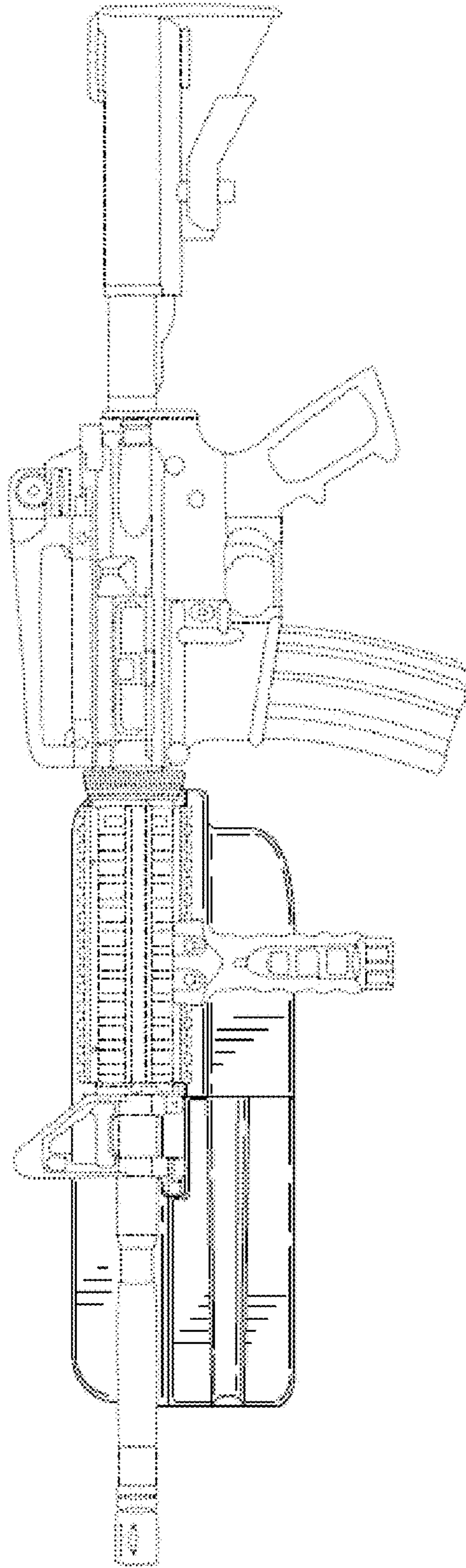


FIG. 18

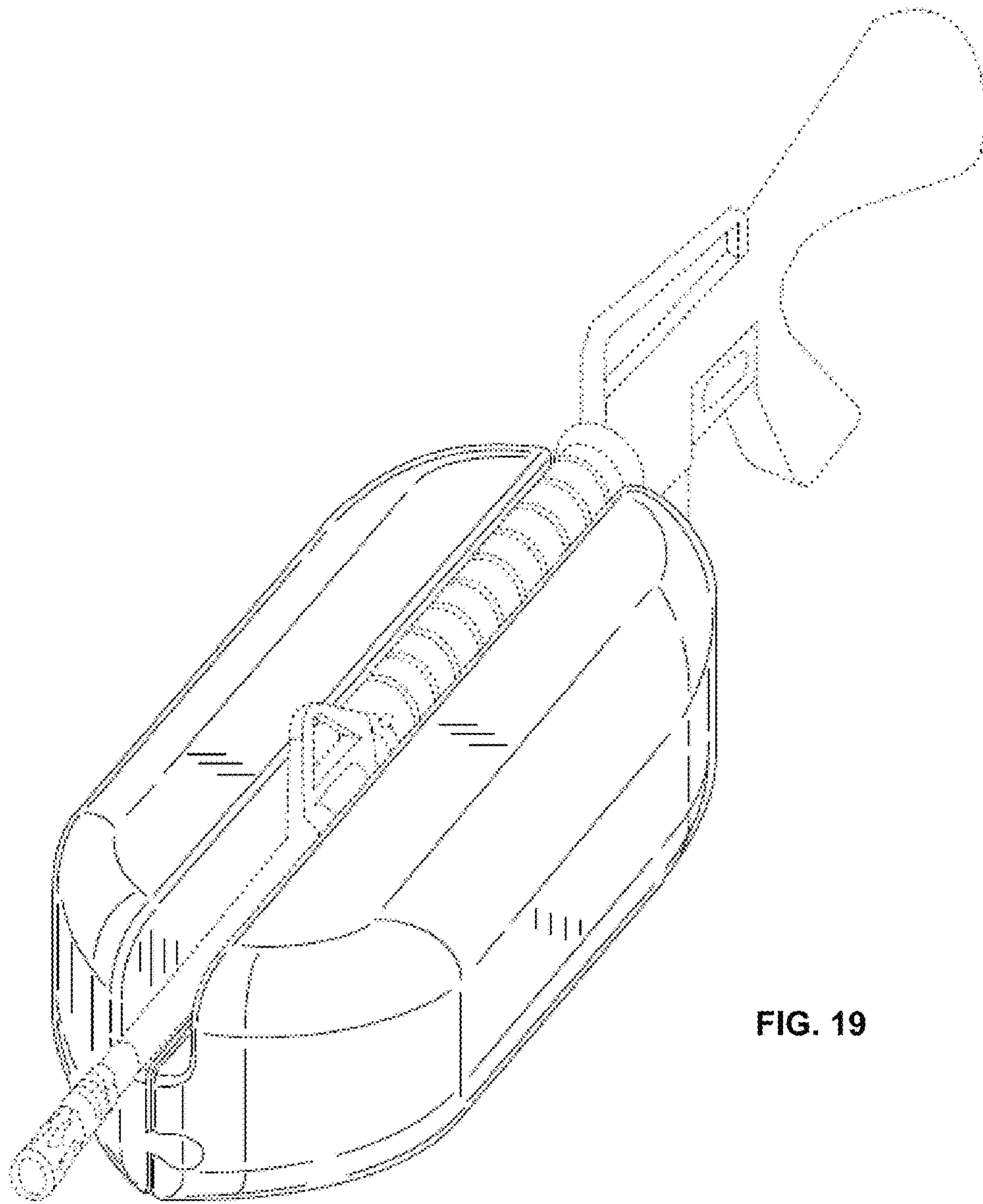


FIG. 19