



US00D821531S

(12) **United States Design Patent** (10) **Patent No.:** **US D821,531 S**
Hensley (45) **Date of Patent:** **** Jun. 26, 2018**

(54) **FIREARM CLEANING TOOL** D666,883 S * 9/2012 Howard F41A 35/00
D8/19
(71) Applicant: **Joshua Allen Hensley**, Corona, CA D703,502 S * 4/2014 Cheng D8/21
(US) 8,713,735 B1 5/2014 Pelton
D780,874 S * 3/2017 Pasfield D22/108
(72) Inventor: **Joshua Allen Hensley**, Corona, CA D805,865 S * 12/2017 Sui D8/21
(US) 2015/0204635 A1* 7/2015 Blish F41G 1/545
7/138

(**) Term: **15 Years**

(21) Appl. No.: **29/579,710**

(22) Filed: **Oct. 3, 2016**

(51) **LOC (11) Cl.** **22-01**

(52) **U.S. Cl.**
USPC **D22/108**

(58) **Field of Classification Search**
USPC D22/108; D8/27
CPC F41G 1/545
See application file for complete search history.

(56) **References Cited**

U.S. PATENT DOCUMENTS

D138,750 S	8/1944	Swenson	
D194,371 S	1/1963	Hittle	
D354,895 S	1/1995	Flynn	
D422,858 S *	4/2000	Moore	D8/17
D468,977 S	1/2003	Graff et al.	
6,782,576 B1	8/2004	Valencic et al.	
D548,552 S *	8/2007	Elkaim	F41A 35/00 D22/199
D598,723 S *	8/2009	Cheng	D8/17
D601,393 S *	10/2009	Cui	D8/17
7,644,529 B2	1/2010	Hopper et al.	
8,186,995 B2	5/2012	Putrello, Jr.	

OTHER PUBLICATIONS

Botach.com Kley-Zio CRT Bolt Carrier Assembly.

* cited by examiner

Primary Examiner — Michael A. Pratt
(74) *Attorney, Agent, or Firm* — Kirk A. Buhler; Buhler & Associates

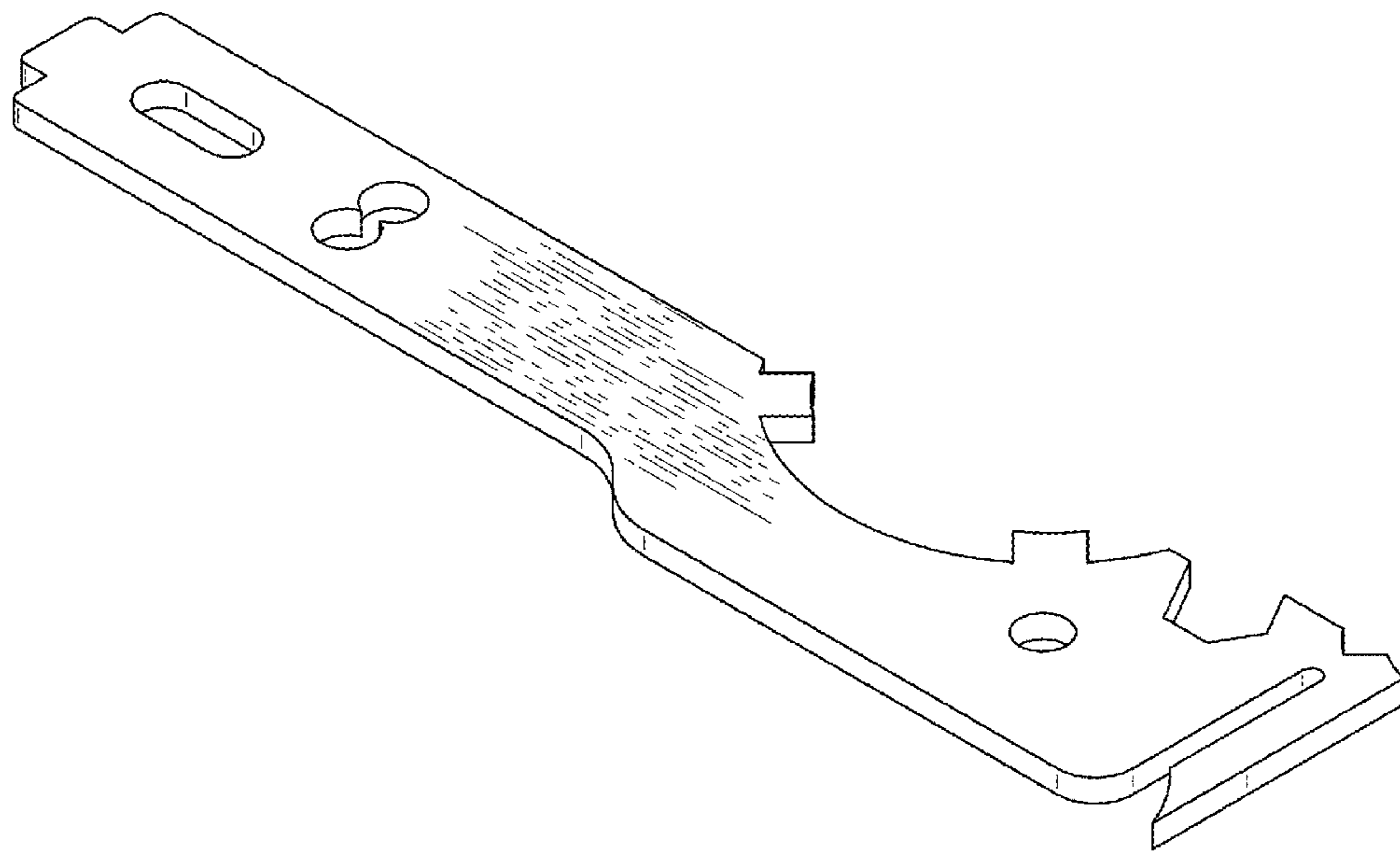
(57) **CLAIM**

The ornamental design for a firearm cleaning tool, as shown and described.

DESCRIPTION

FIG. 1 is a top perspective view for a firearm cleaning tool showing my new design;
FIG. 2 is a front plan view thereof;
FIG. 3 is a right plan view thereof;
FIG. 4 is a left plan view thereof;
FIG. 5 is a bottom plan view thereof;
FIG. 6 is a top plan view thereof; and,
FIG. 7 is a bottom perspective view thereof.

1 Claim, 4 Drawing Sheets



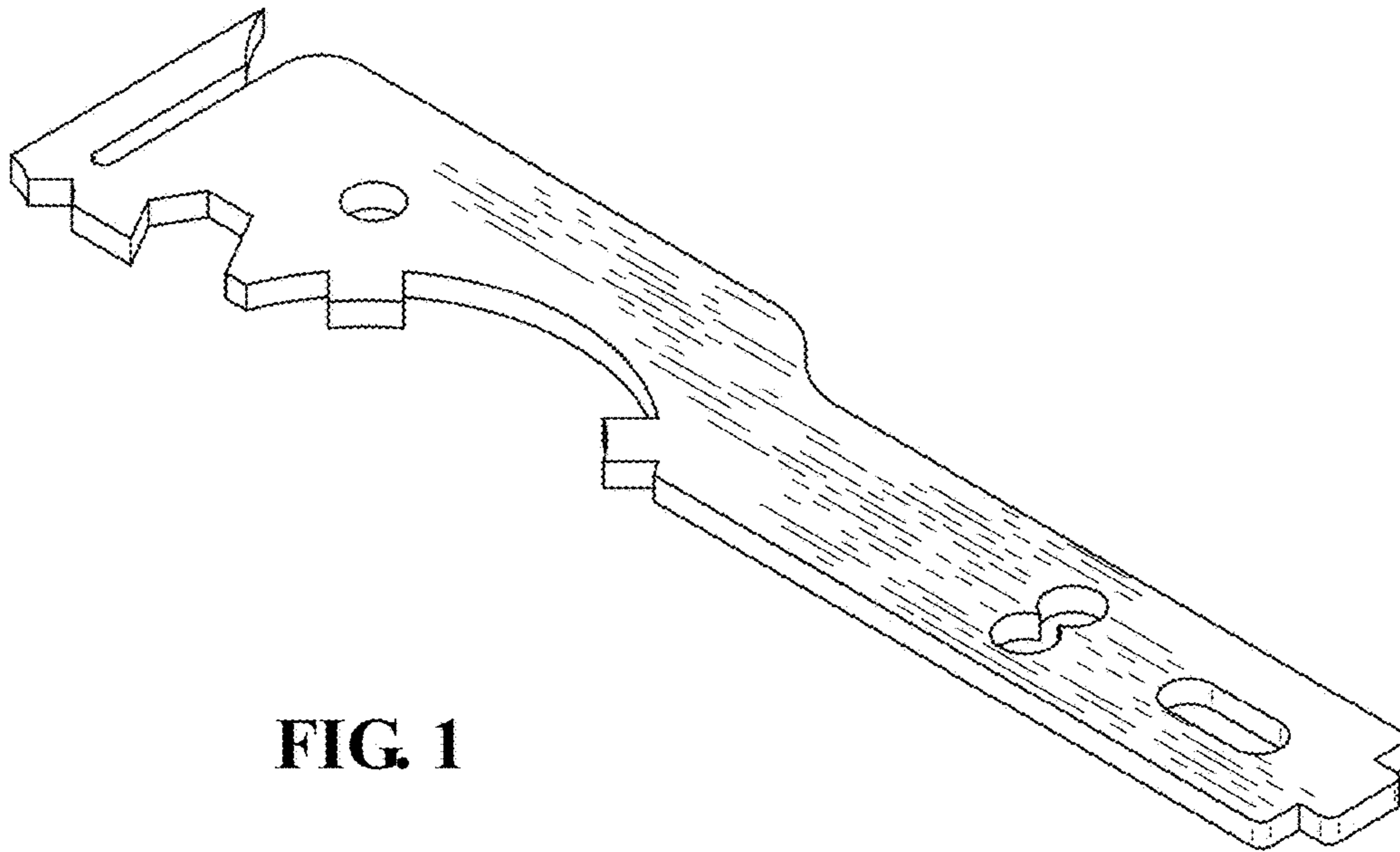


FIG. 1

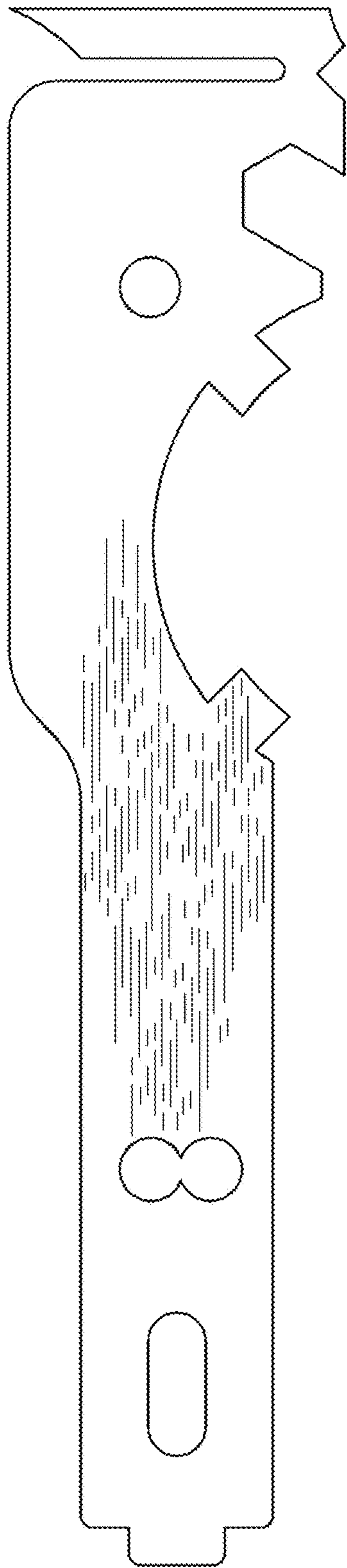


FIG. 2

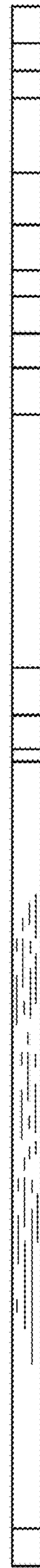


FIG. 3



FIG. 4



FIG. 5



FIG. 6

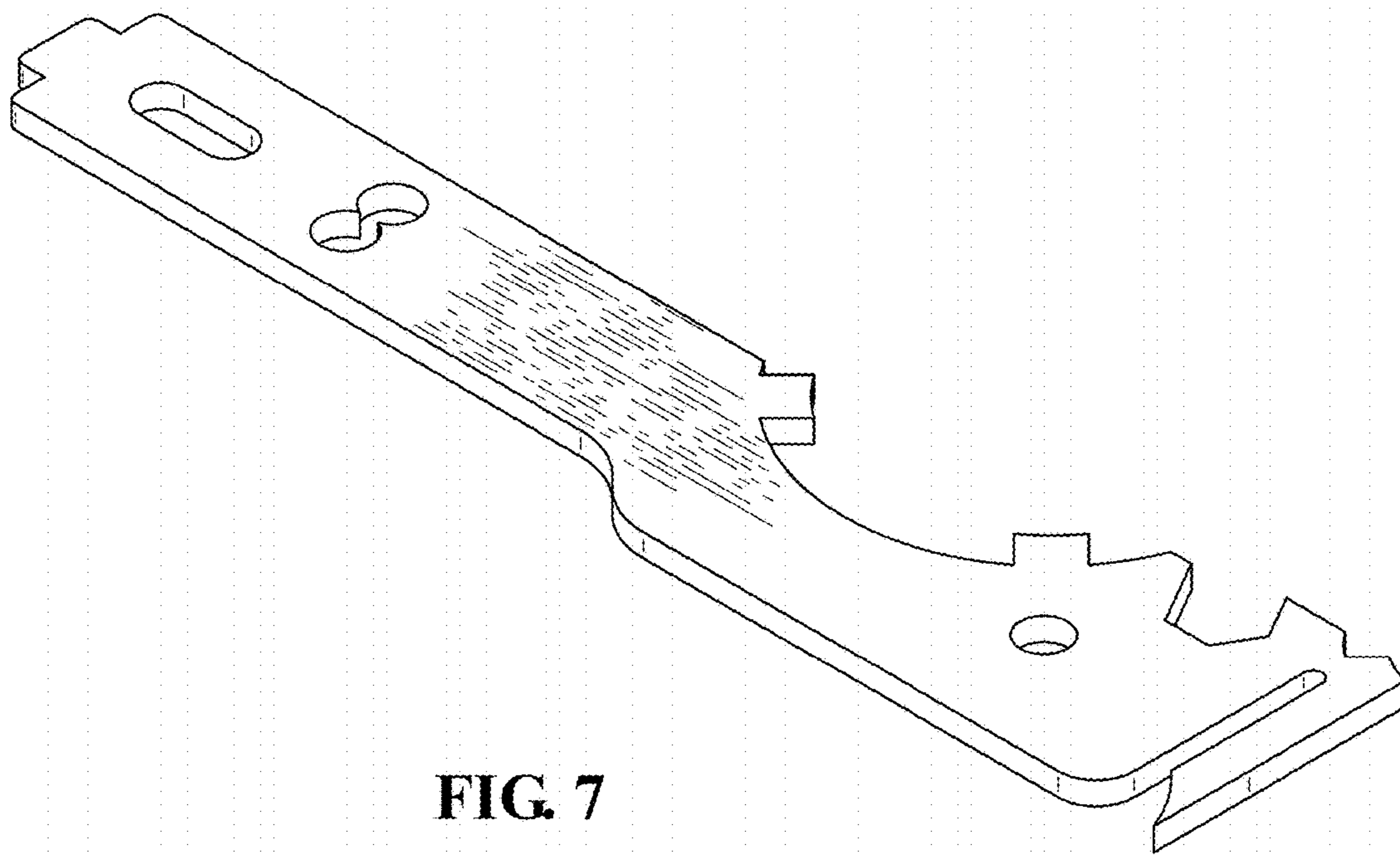


FIG. 7