



US00D821530S

(12) **United States Design Patent**  
**Mueller**

(10) **Patent No.:** **US D821,530 S**

(45) **Date of Patent:** **\*\* Jun. 26, 2018**

(54) **PISTOL SLIDE GRIP**

(71) Applicant: **Lisa Arlene Mueller**, Delafield, WI  
(US)

(72) Inventor: **Lisa Arlene Mueller**, Delafield, WI  
(US)

(\*\*) Term: **15 Years**

(21) Appl. No.: **29/579,181**

(22) Filed: **Sep. 28, 2016**

(51) **LOC (11) Cl.** ..... **22-01**

(52) **U.S. Cl.**  
USPC ..... **D22/108**

(58) **Field of Classification Search**  
USPC ..... D22/104, 108  
CPC ..... F41C 3/14; F41C 3/16; F41C 3/04; B25G  
1/102  
See application file for complete search history.

(56) **References Cited**

**U.S. PATENT DOCUMENTS**

D757,880 S \* 5/2016 Biedenbach ..... D22/108  
D757,881 S \* 5/2016 Biedenbach ..... D22/108

D757,882 S \* 5/2016 Biedenbach ..... D22/108  
D784,479 S \* 4/2017 Niswander ..... D22/108  
2017/0347517 A1\* 12/2017 Ahearn ..... A01B 1/227

\* cited by examiner

*Primary Examiner* — Michael A. Pratt

(74) *Attorney, Agent, or Firm* — Dunlap Bennett &  
Ludwig PLLC

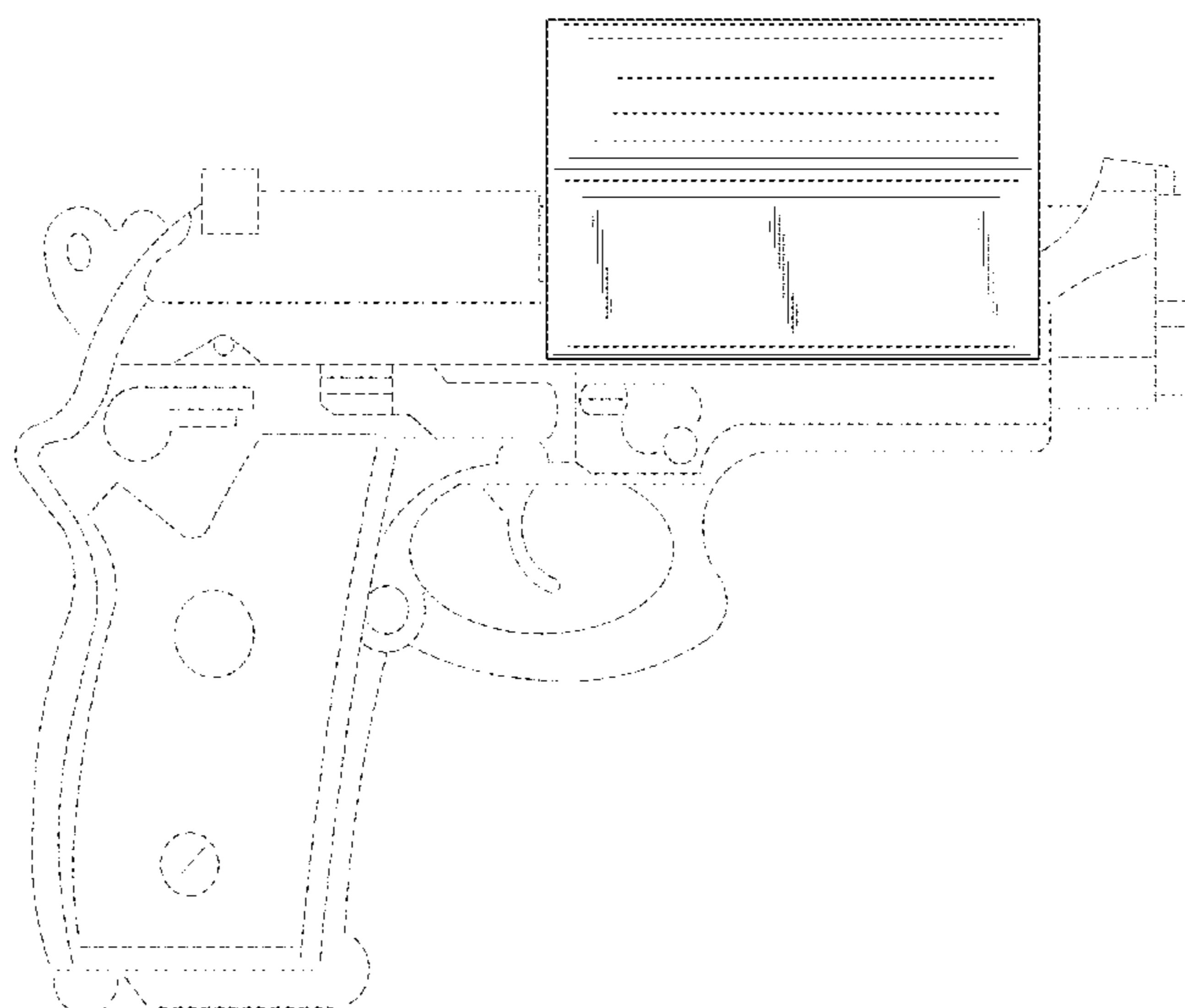
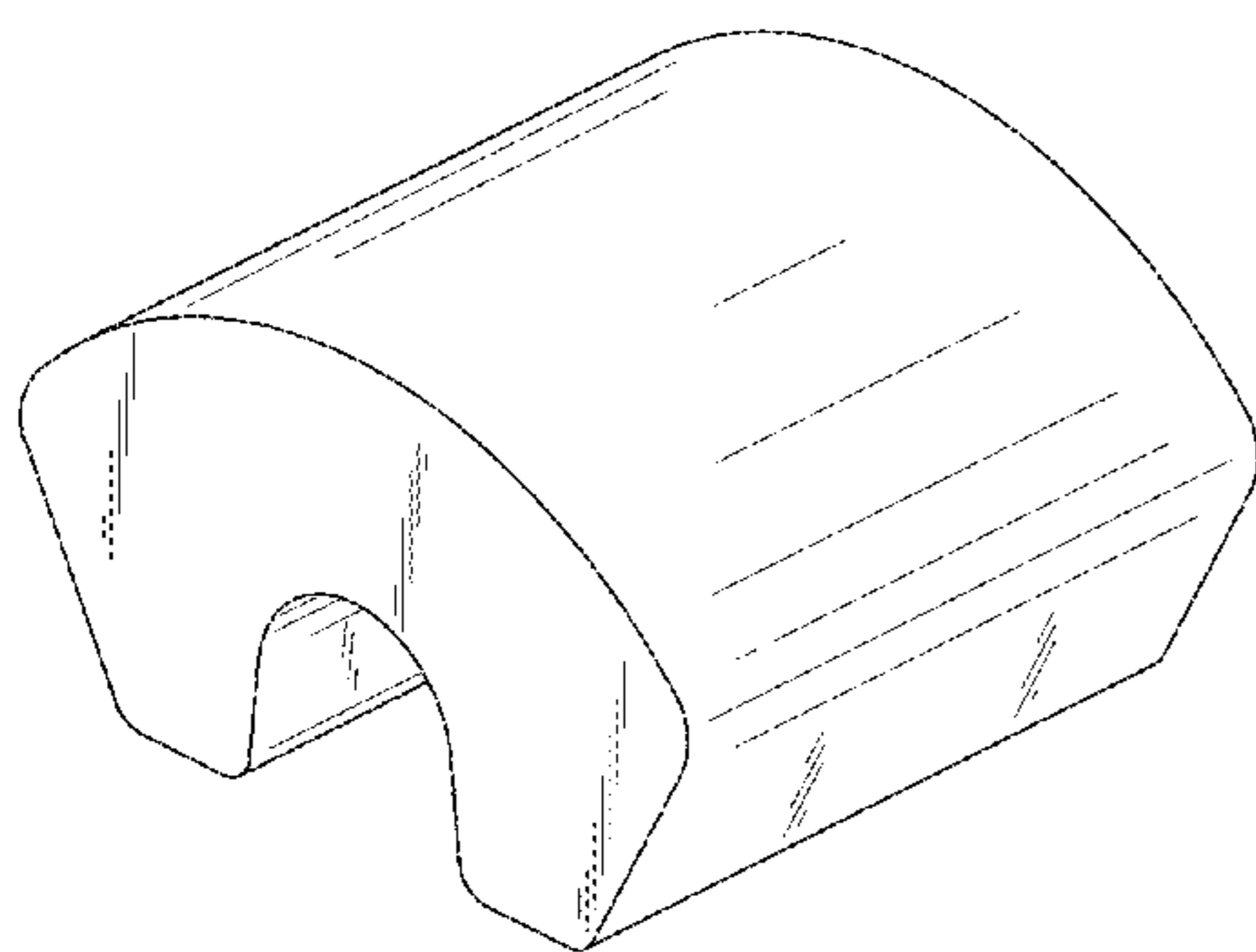
(57) **CLAIM**

The ornamental design for a pistol slide grip, as shown and described.

**DESCRIPTION**

FIG. 1 is a front perspective view of a pistol slide grip;  
FIG. 2 is a front elevation view thereof, the rear elevation view being a mirror image thereof;  
FIG. 3 is a left elevation view thereof, the right elevation view being a mirror image thereof;  
FIG. 4 is a top plan view thereof;  
FIG. 5 is a bottom plan view thereof; and,  
FIG. 6 is a left side elevation view, shown in use.  
The broken lines showing the pistol in FIG. 6 depicts environmental subject matter that forms no part of the claimed design.

**1 Claim, 4 Drawing Sheets**



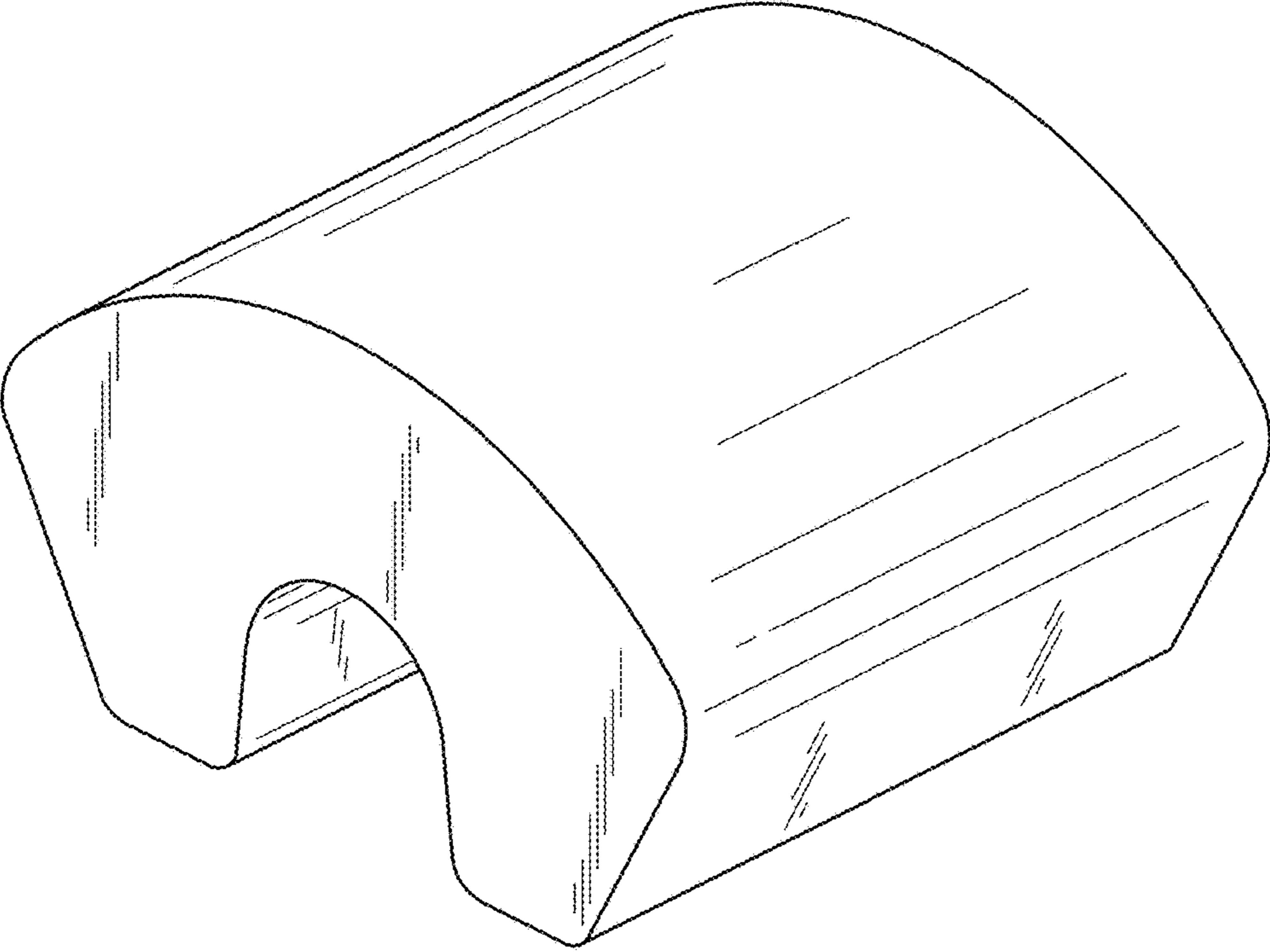


FIG. 1

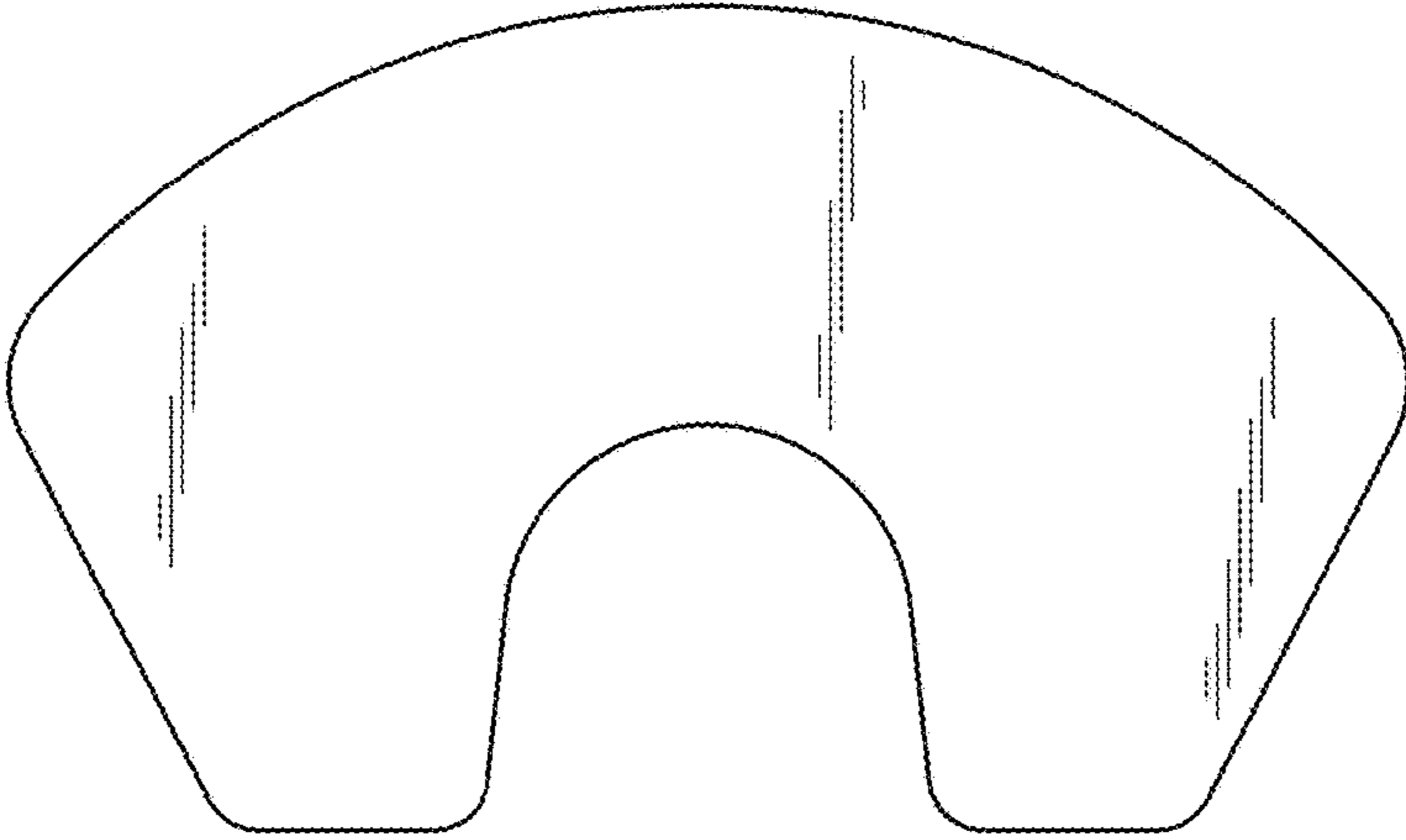


FIG. 2

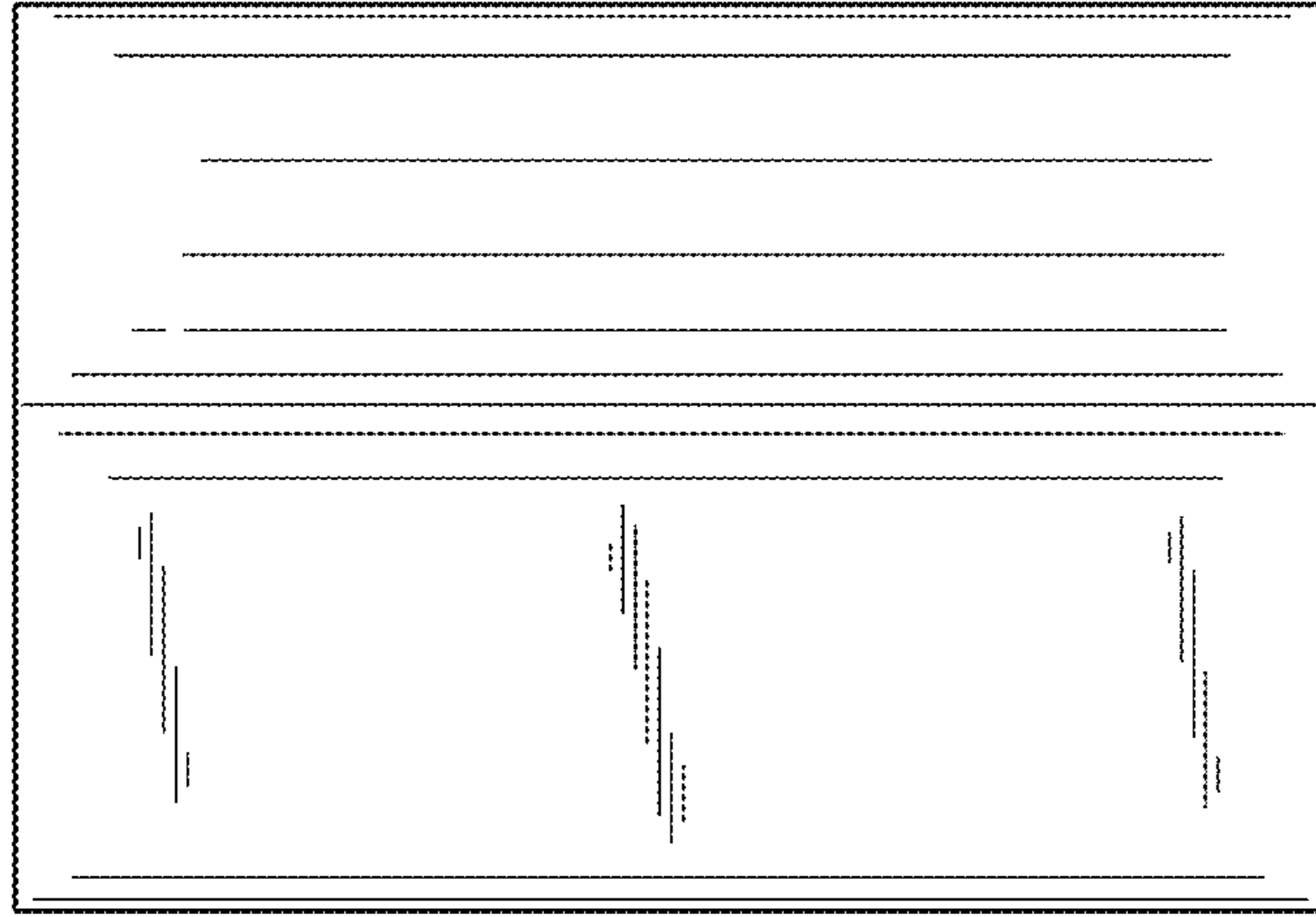


FIG. 3

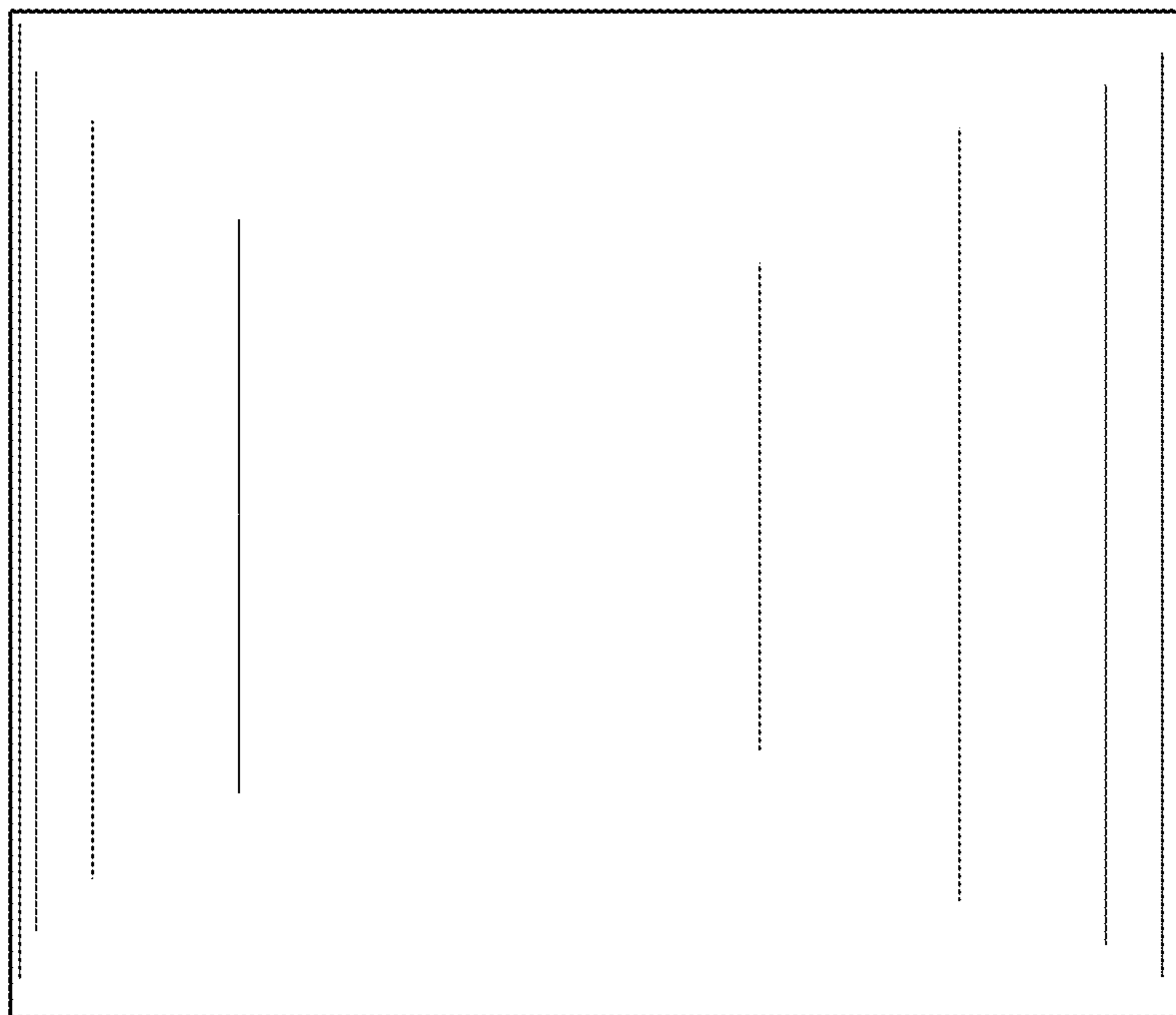


FIG. 4

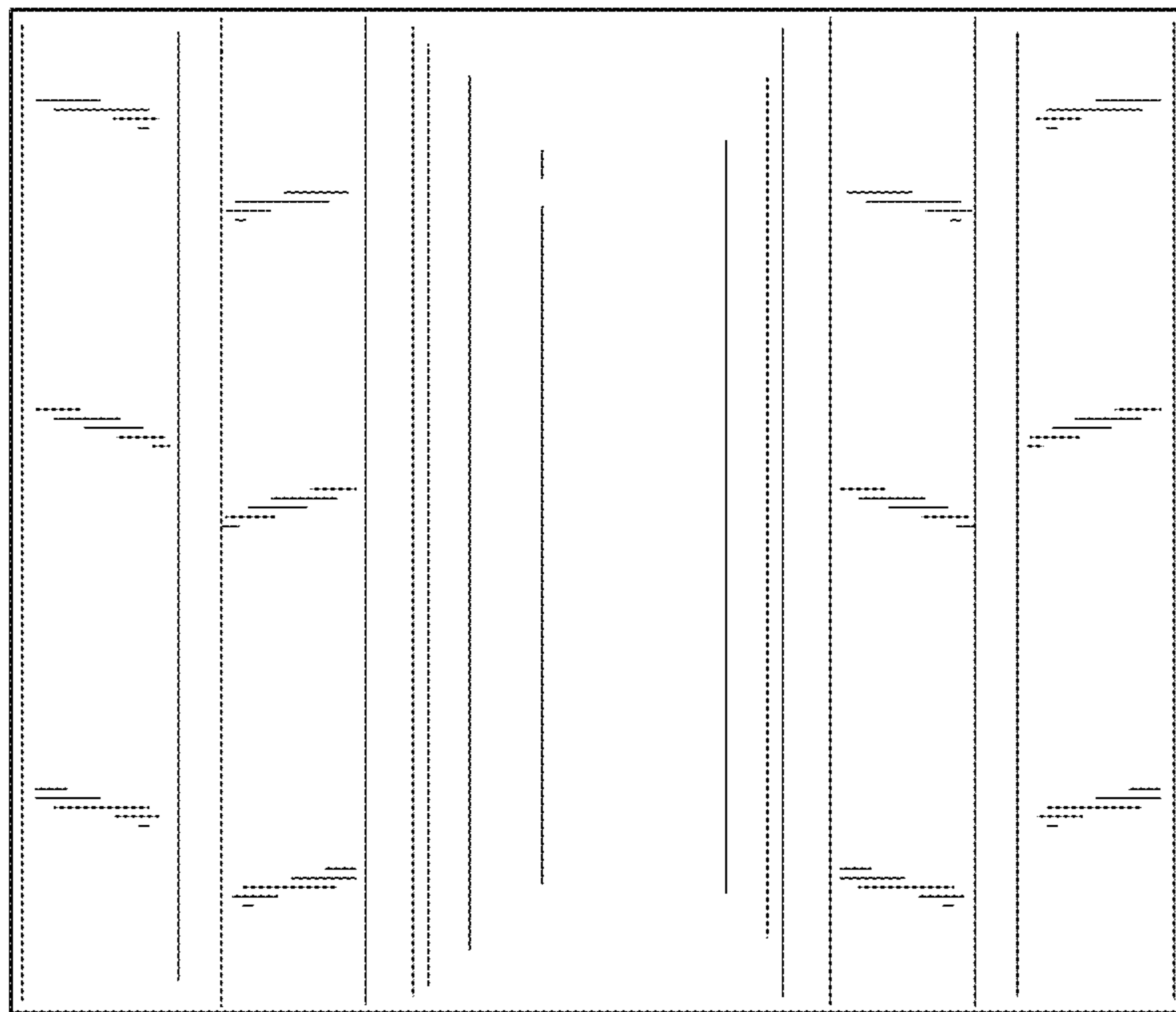


FIG. 5

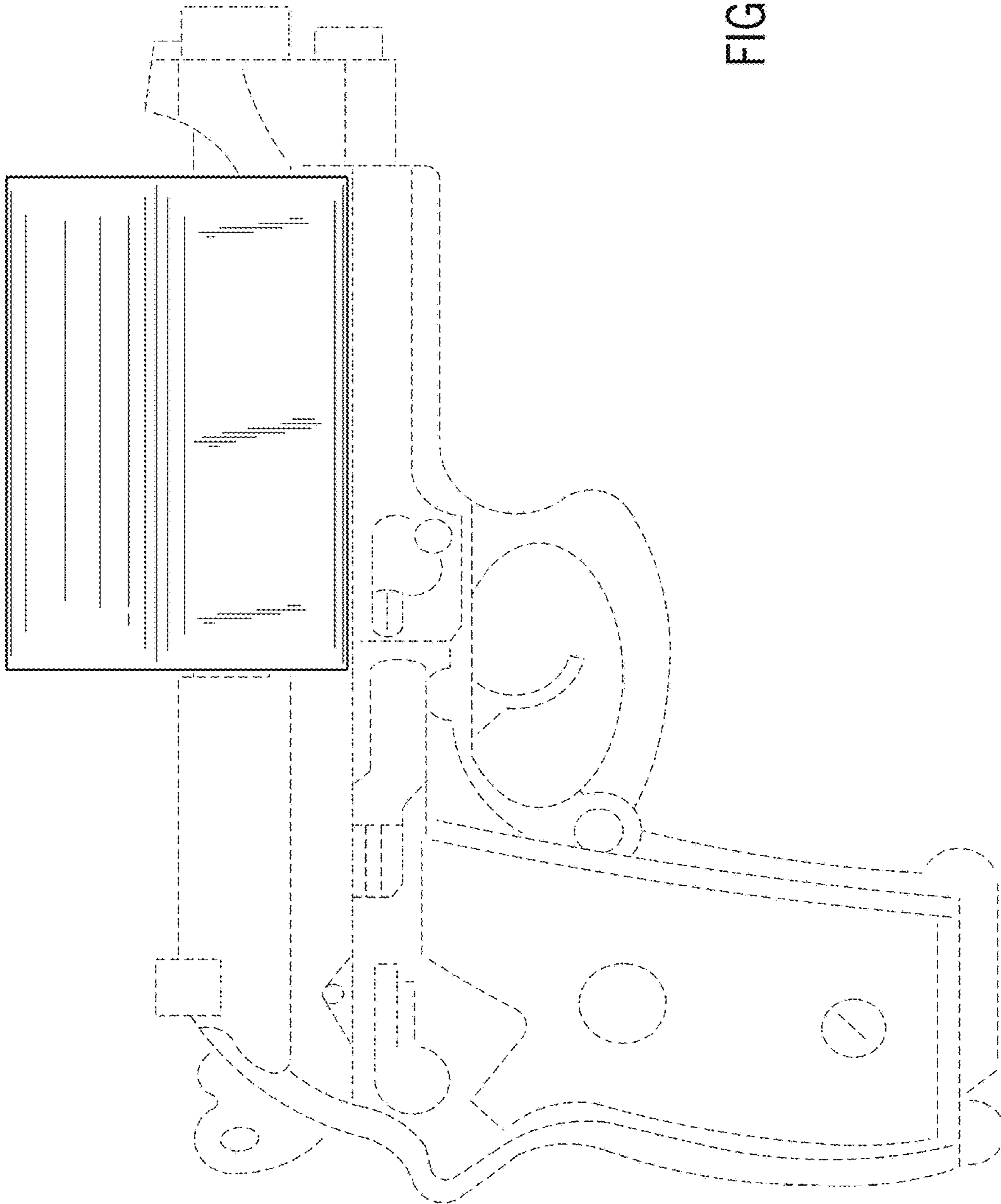


FIG. 6