



US00D821529S

(12) **United States Design Patent**  
**Cheng et al.**

(10) **Patent No.:** **US D821,529 S**  
(45) **Date of Patent:** **\*\* Jun. 26, 2018**

(54) **PISTOL GRIP**

(71) Applicants: **Carson Cheng**, City of Industry, CA (US); **Changan Tian**, City of Industry, CA (US); **Jason Michael Cheng**, City of Industry, CA (US)

(72) Inventors: **Carson Cheng**, City of Industry, CA (US); **Changan Tian**, City of Industry, CA (US); **Jason Michael Cheng**, City of Industry, CA (US)

(73) Assignee: **NcSTAR, Inc.**, City of Industry, CA (US)

(\*\*) Term: **15 Years**

(21) Appl. No.: **29/578,198**

(22) Filed: **Sep. 19, 2016**

(51) **LOC (11) Cl.** ..... **22-01**

(52) **U.S. Cl.**  
USPC ..... **D22/108**

(58) **Field of Classification Search**  
USPC ..... D22/103, 108; D8/68  
CPC ..... F41C 23/10; F41C 23/14; F41C 23/16;  
F41C 23/18  
See application file for complete search history.

(56) **References Cited**

**U.S. PATENT DOCUMENTS**

D692,517 S	*	10/2013	Faifer	.....	D22/108
D705,887 S	*	5/2014	Fitzpatrick	.....	D22/108
D724,688 S	*	3/2015	Hirt	.....	D22/108
D732,136 S	*	6/2015	Webber	.....	D22/108
D735,832 S	*	8/2015	Fitzpatrick	.....	D22/108
D740,910 S	*	10/2015	Hines	.....	D22/108

D742,986 S	*	11/2015	Ward, Jr.	.....	D22/108
D763,393 S	*	8/2016	Freed	.....	D22/108
D769,399 S	*	10/2016	Lam	.....	D22/108
D774,156 S	*	12/2016	Esch	.....	D22/108

\* cited by examiner

*Primary Examiner* — Michael A. Pratt

(74) *Attorney, Agent, or Firm* — Raymond Y. Chan;  
David and Raymond Patent Firm

(57) **CLAIM**

The ornamental design for a pistol grip, as shown and described.

**DESCRIPTION**

FIG. 1 is a perspective view of the pistol grip our new design;

FIG. 2 is a front view of the pistol grip;

FIG. 3 is a rear view of the pistol grip;

FIG. 4 is a left view of the pistol grip;

FIG. 5 is a right view of the pistol grip;

FIG. 6 is a top view of the pistol grip;

FIG. 7 is a bottom view of the pistol grip;

FIG. 8 is a perspective view of the pistol grip, illustrating a door at an opened position;

FIG. 9 is a front view of the pistol grip, illustrating the door at the opened position;

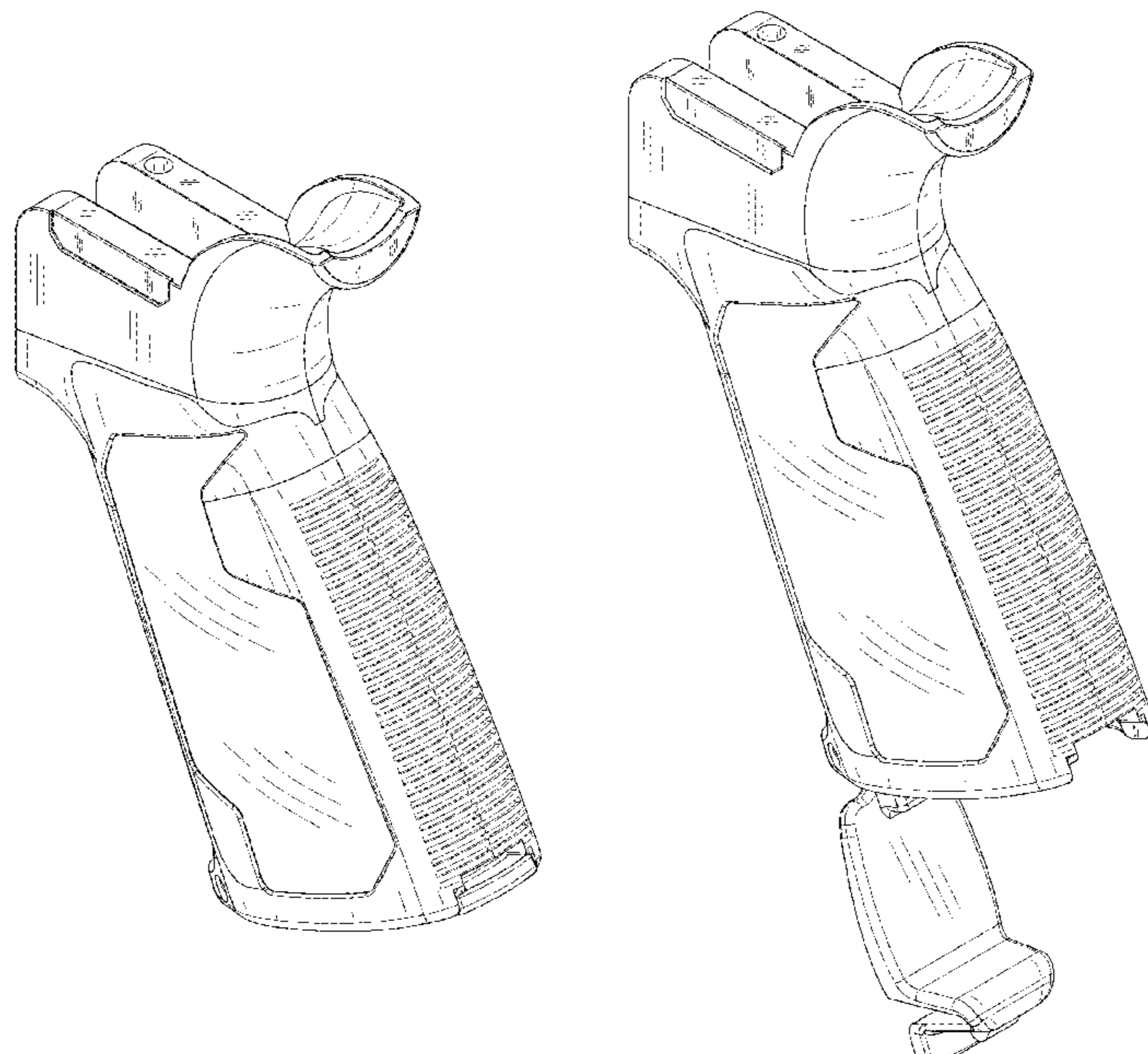
FIG. 10 is a rear view of the pistol grip, illustrating the door at the opened position;

FIG. 11 is a left view of the pistol grip, illustrating the door at the opened position;

FIG. 12 is a right view of the pistol grip, illustrating the door at the opened position; and,

FIG. 13 is a bottom view of the pistol grip, illustrating the door at the opened position.

**1 Claim, 13 Drawing Sheets**



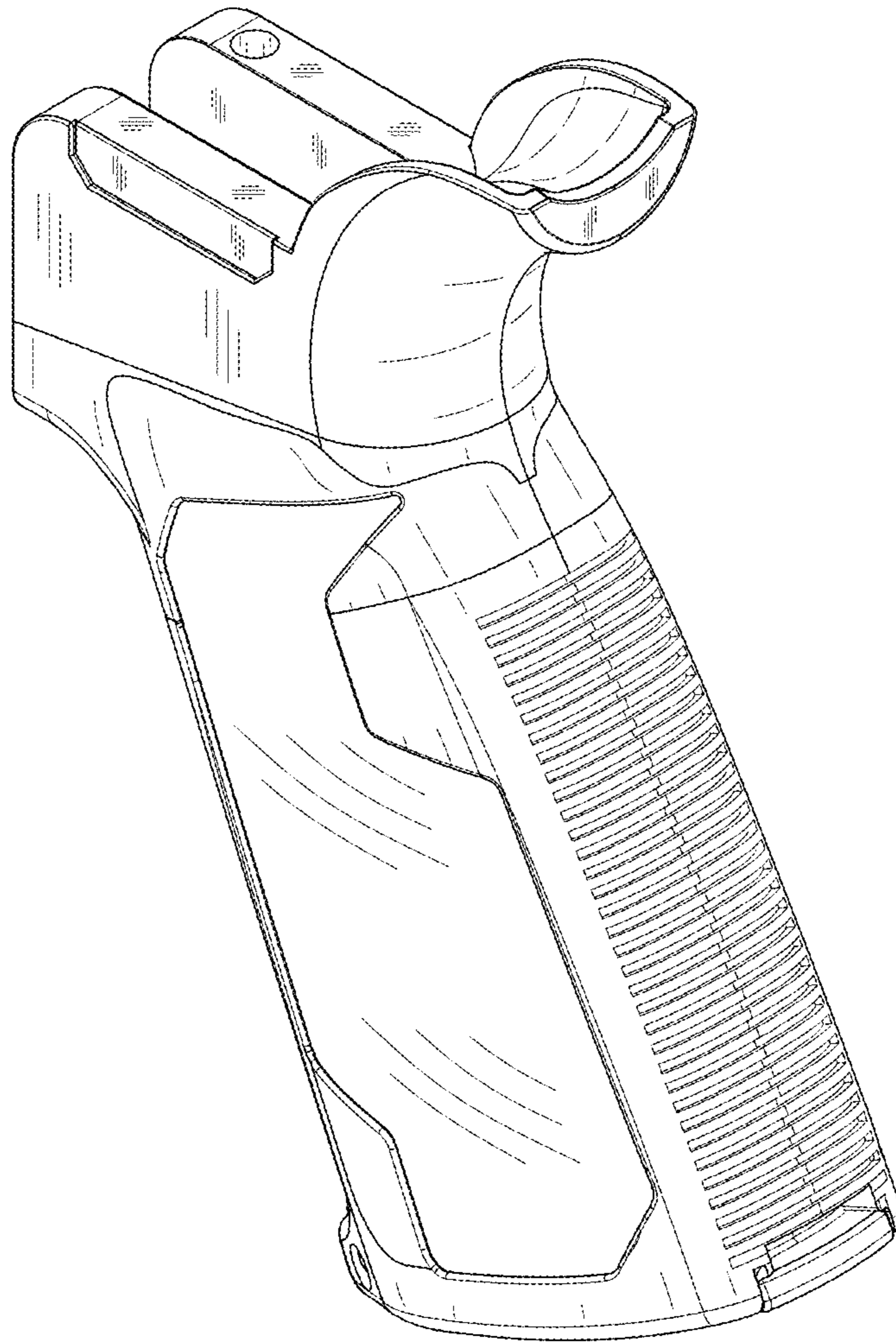


FIG.1

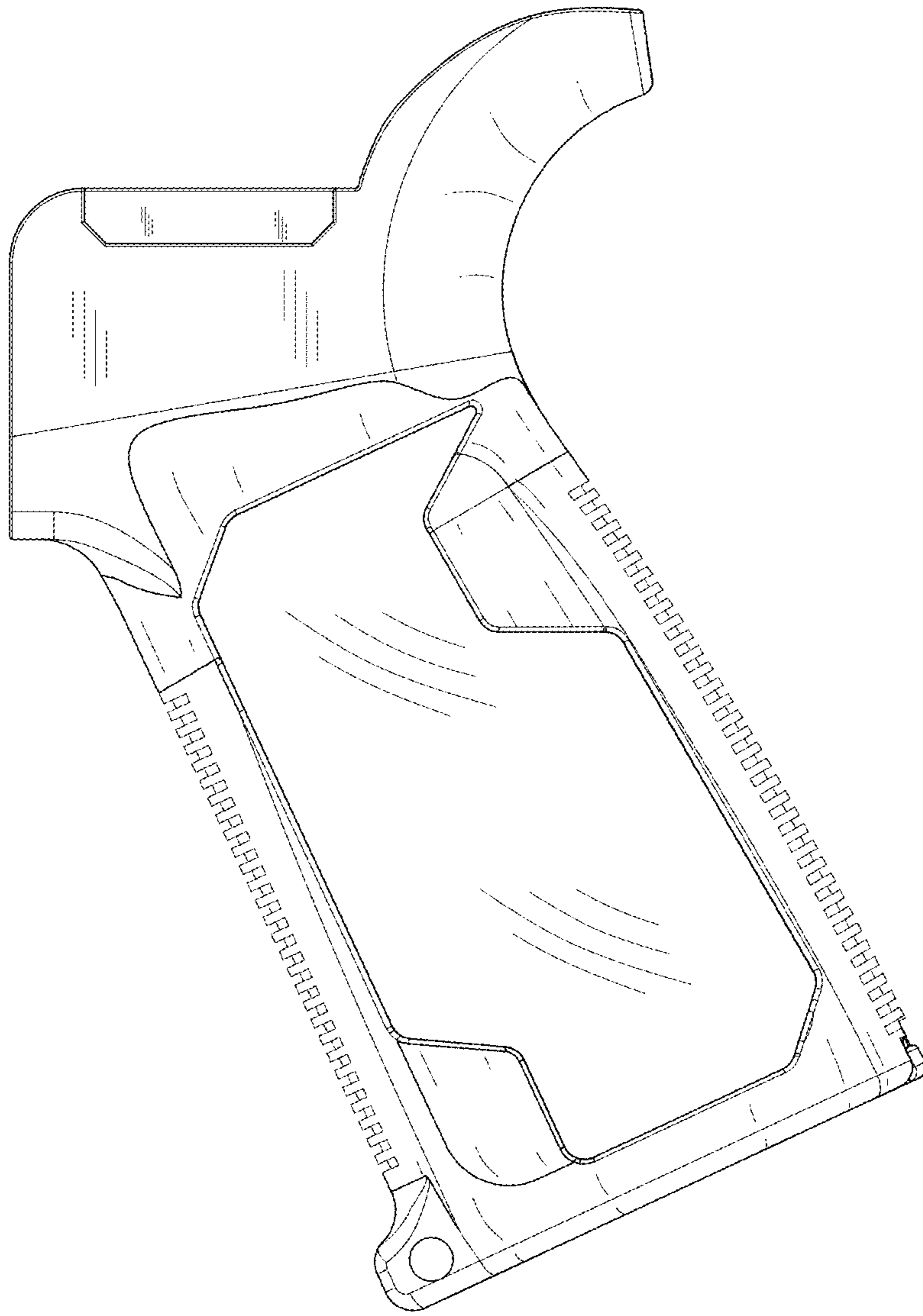


FIG.2

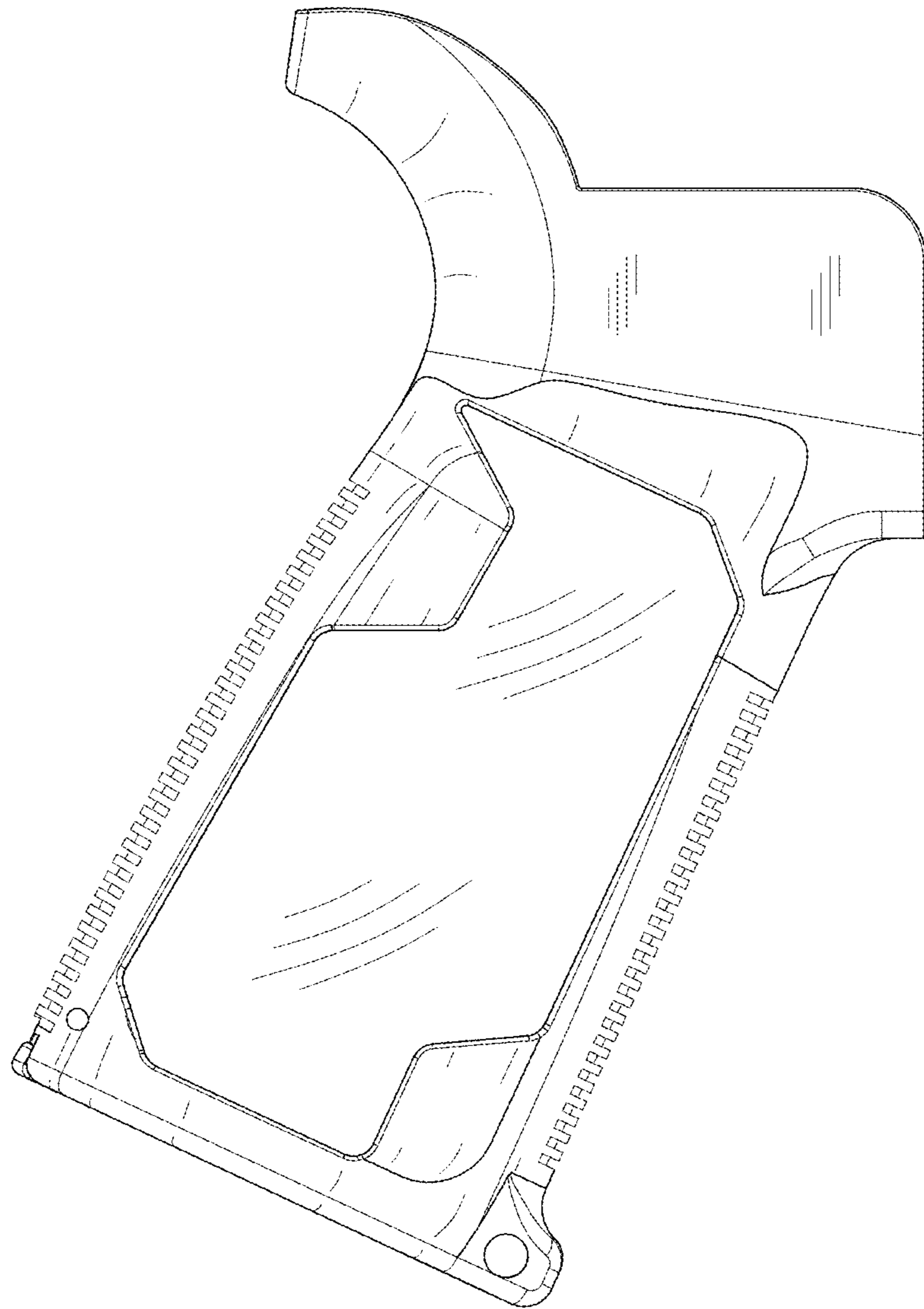


FIG.3



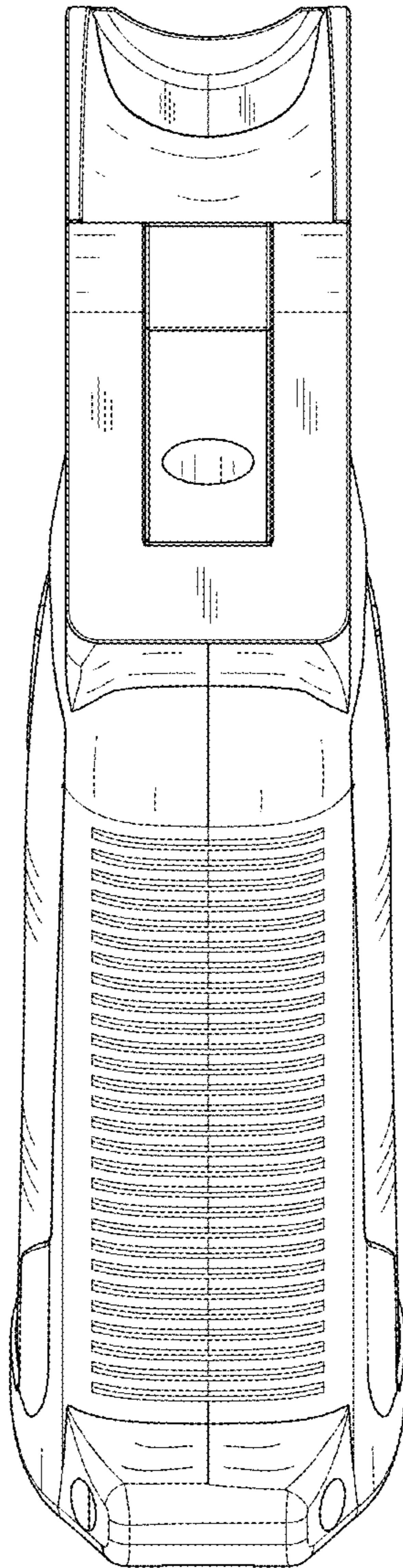


FIG.4

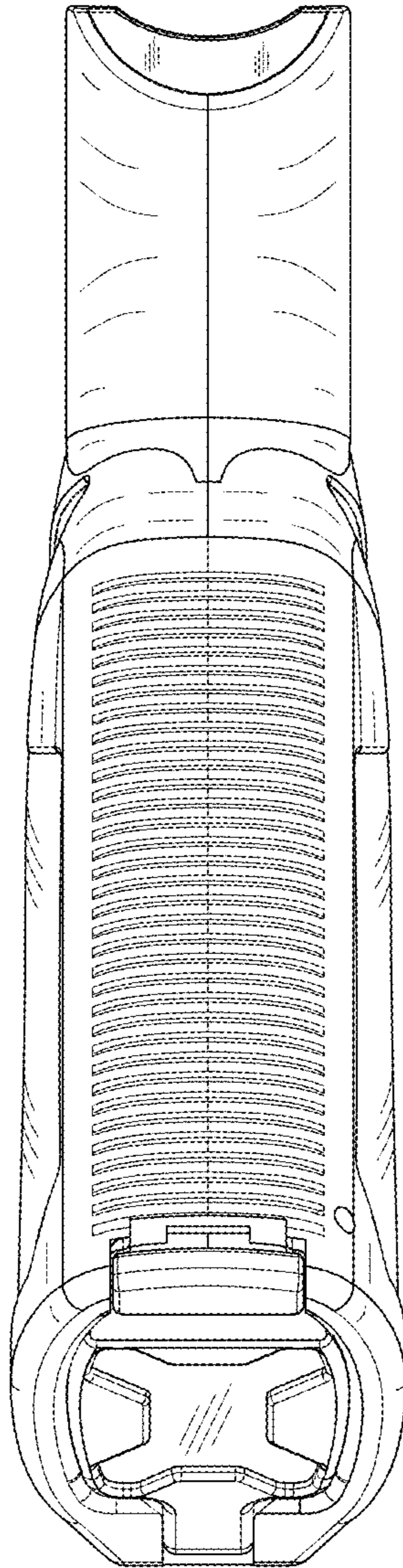


FIG.5

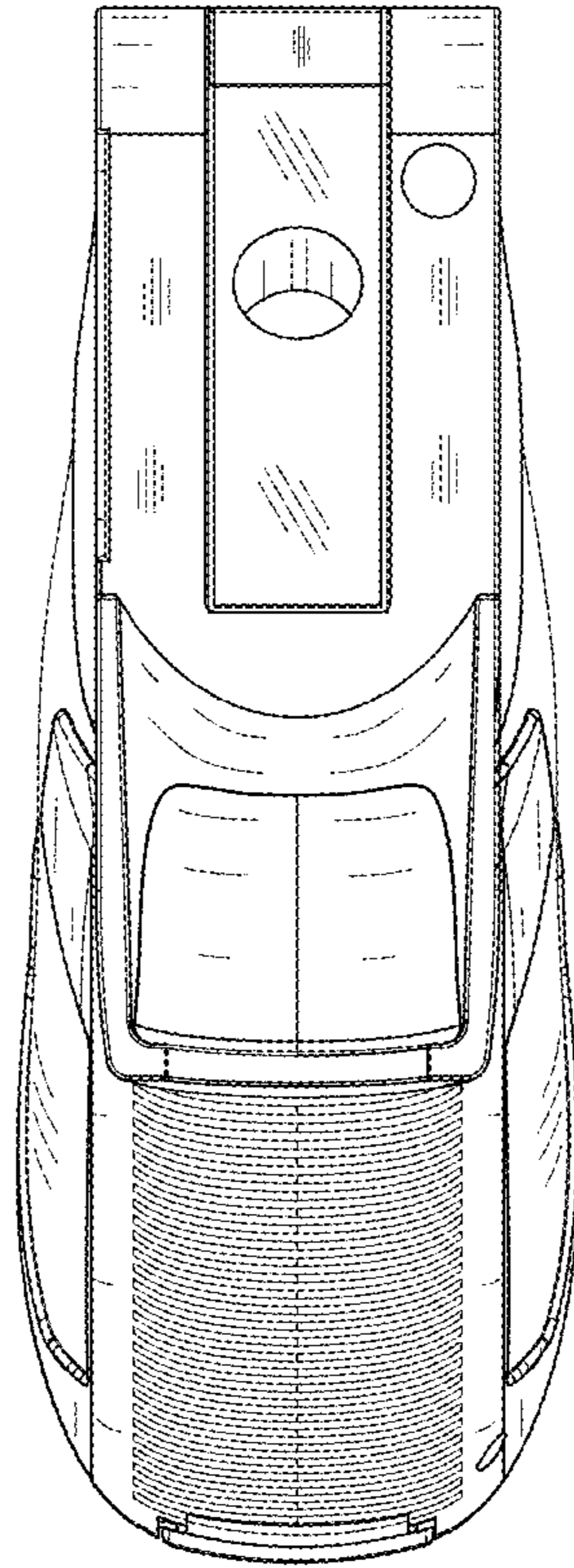


FIG.6

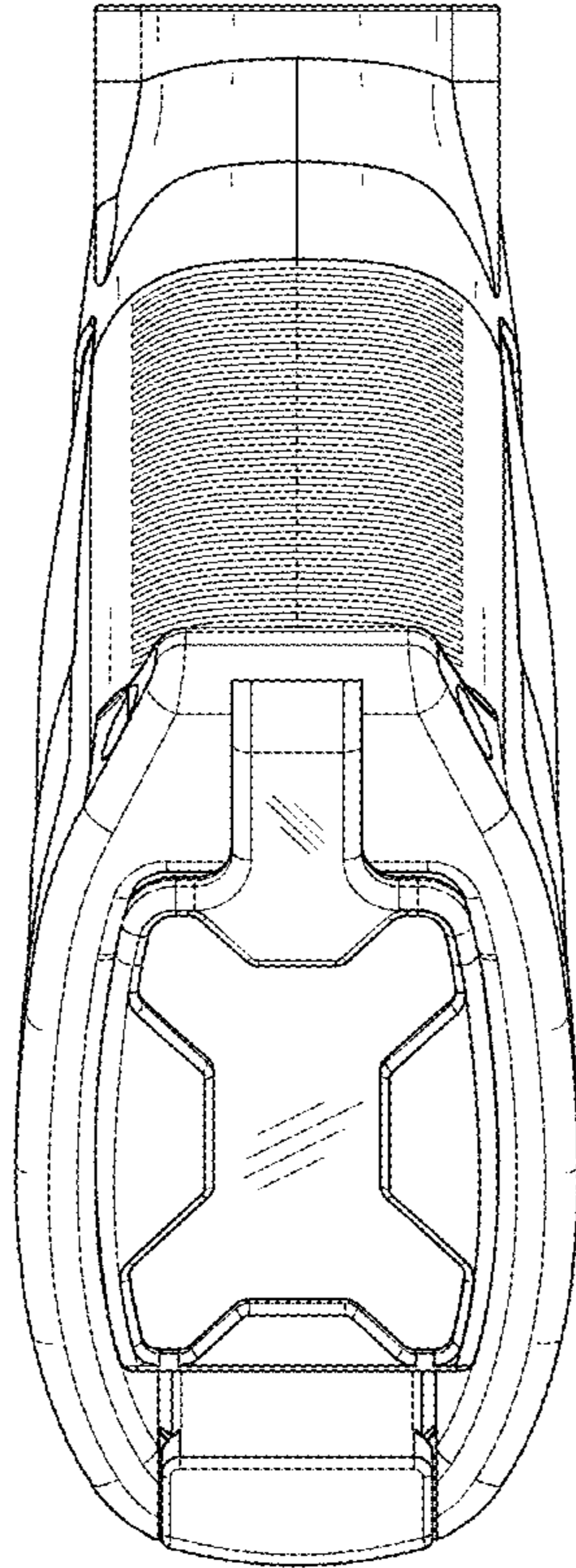


FIG.7



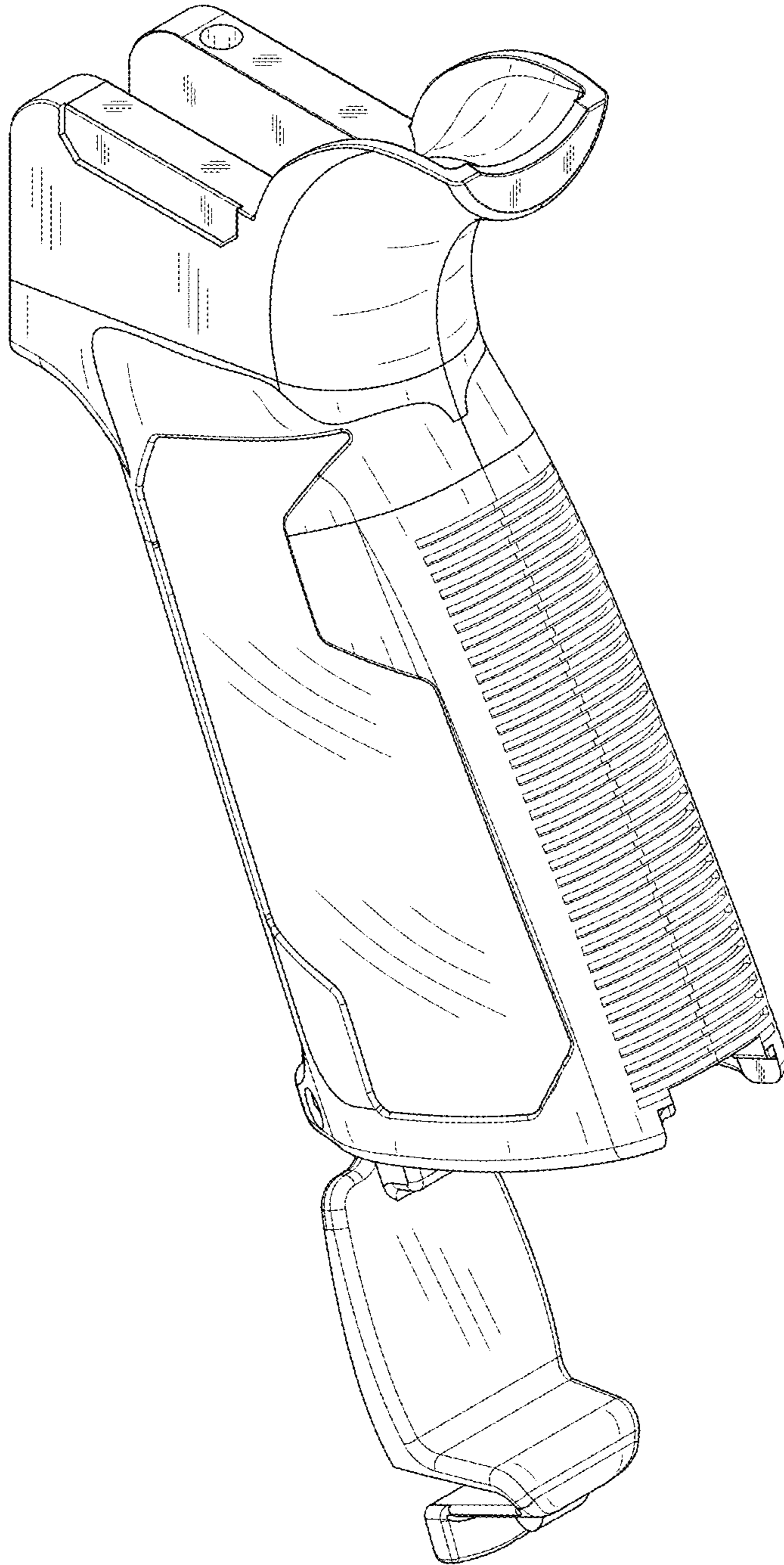


FIG.8

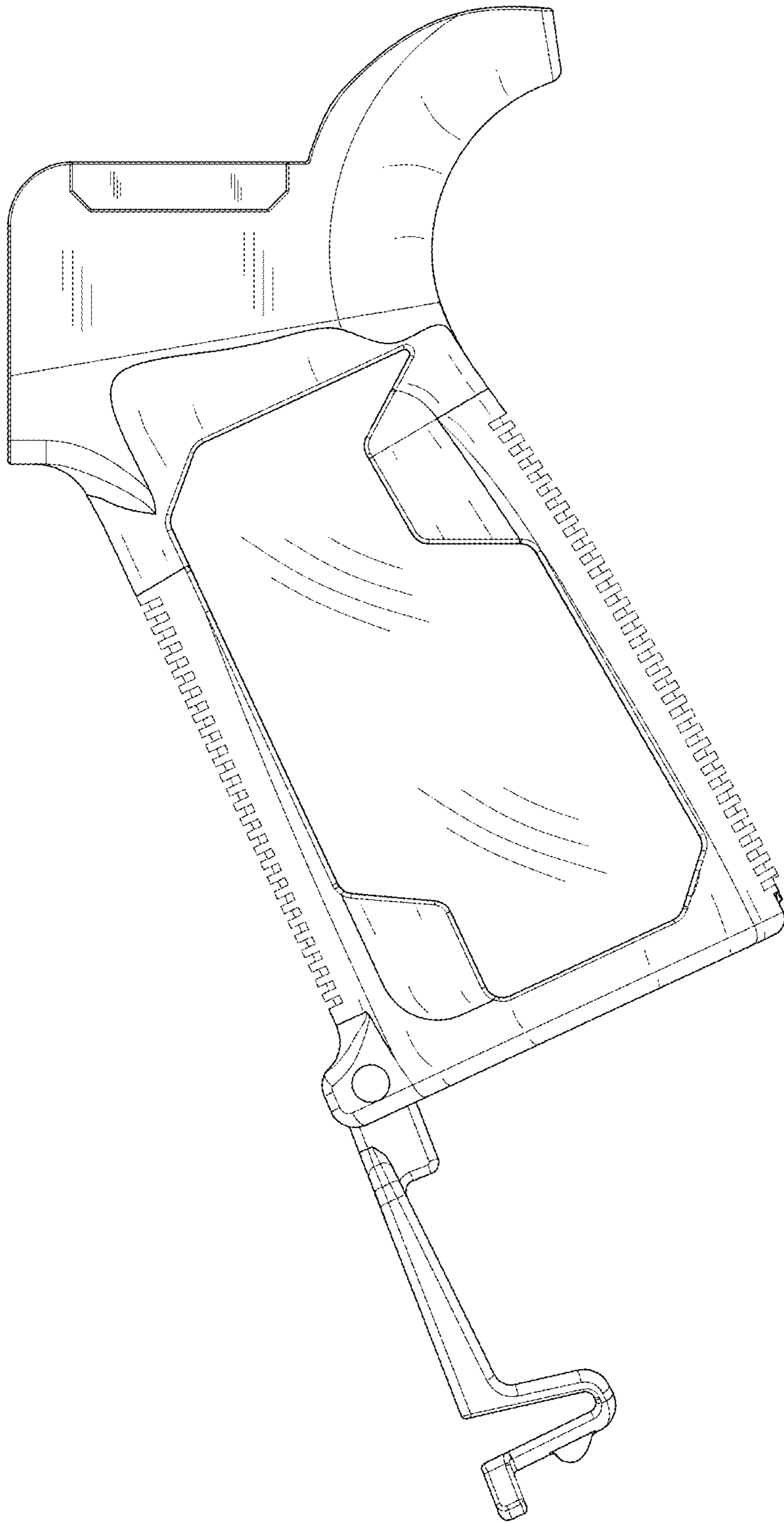


FIG.9

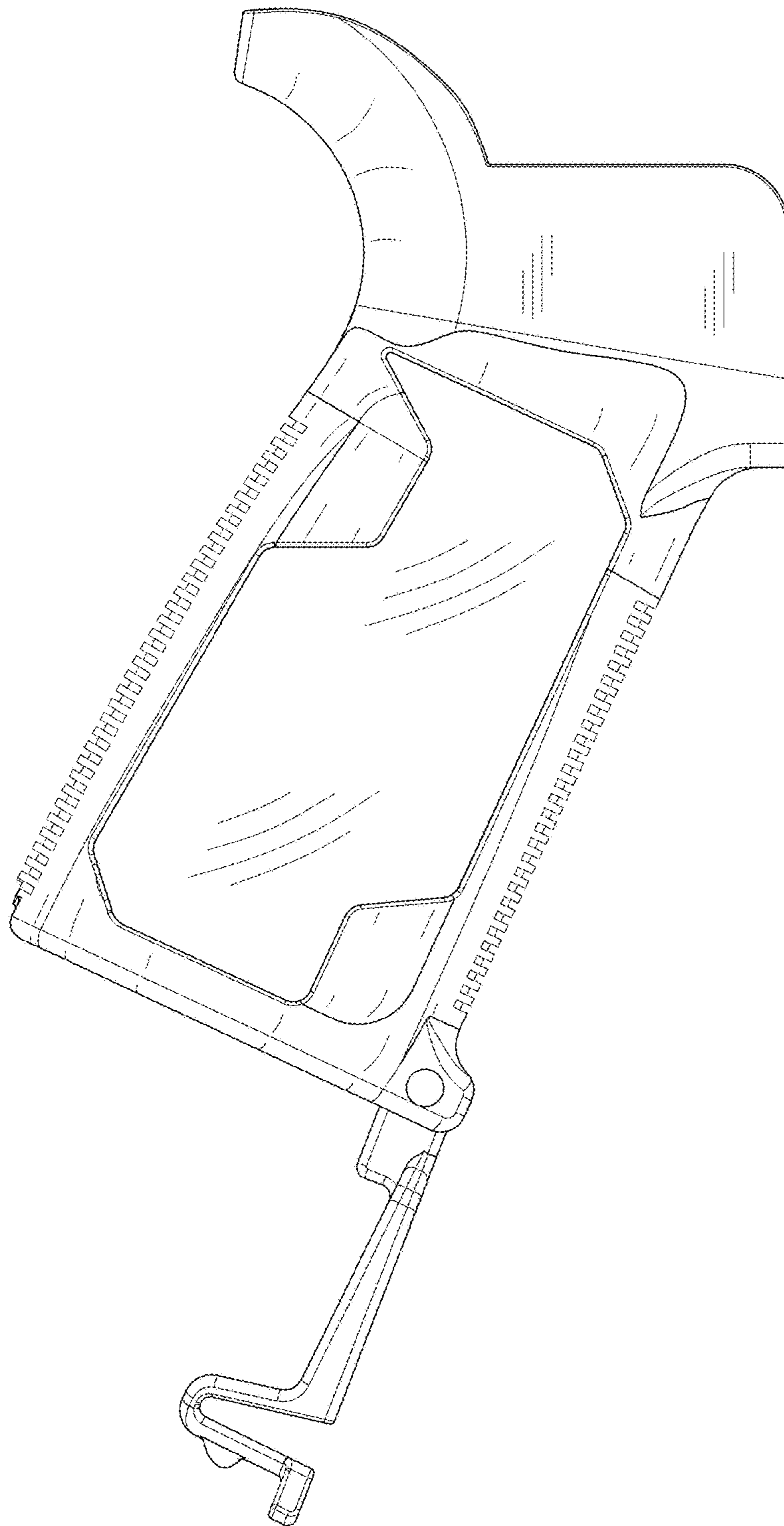


FIG.10

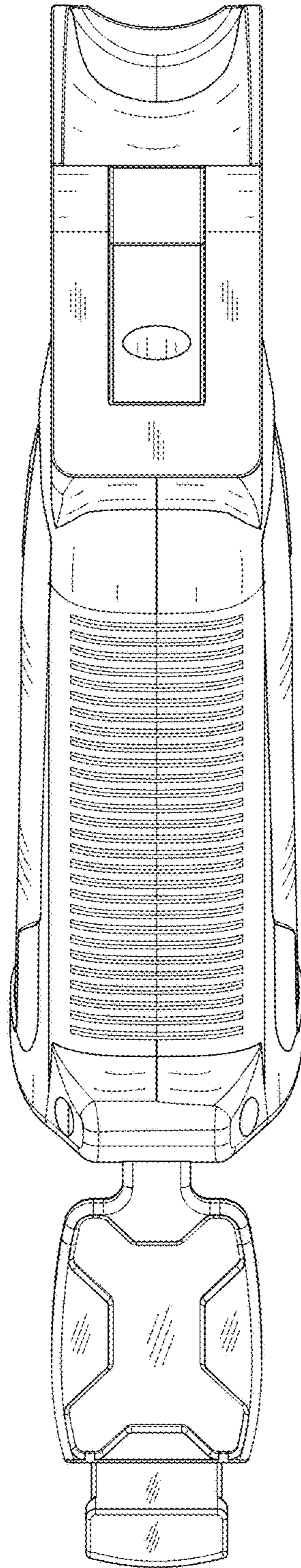


FIG.11

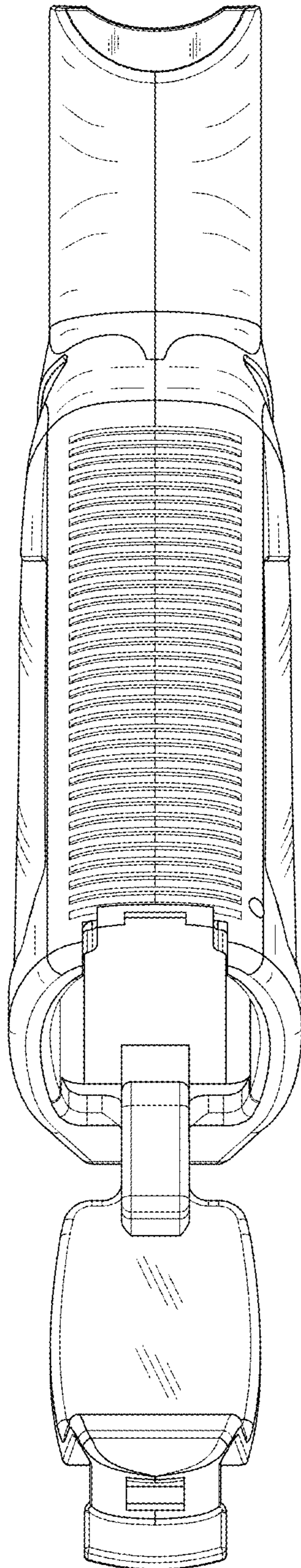


FIG.12



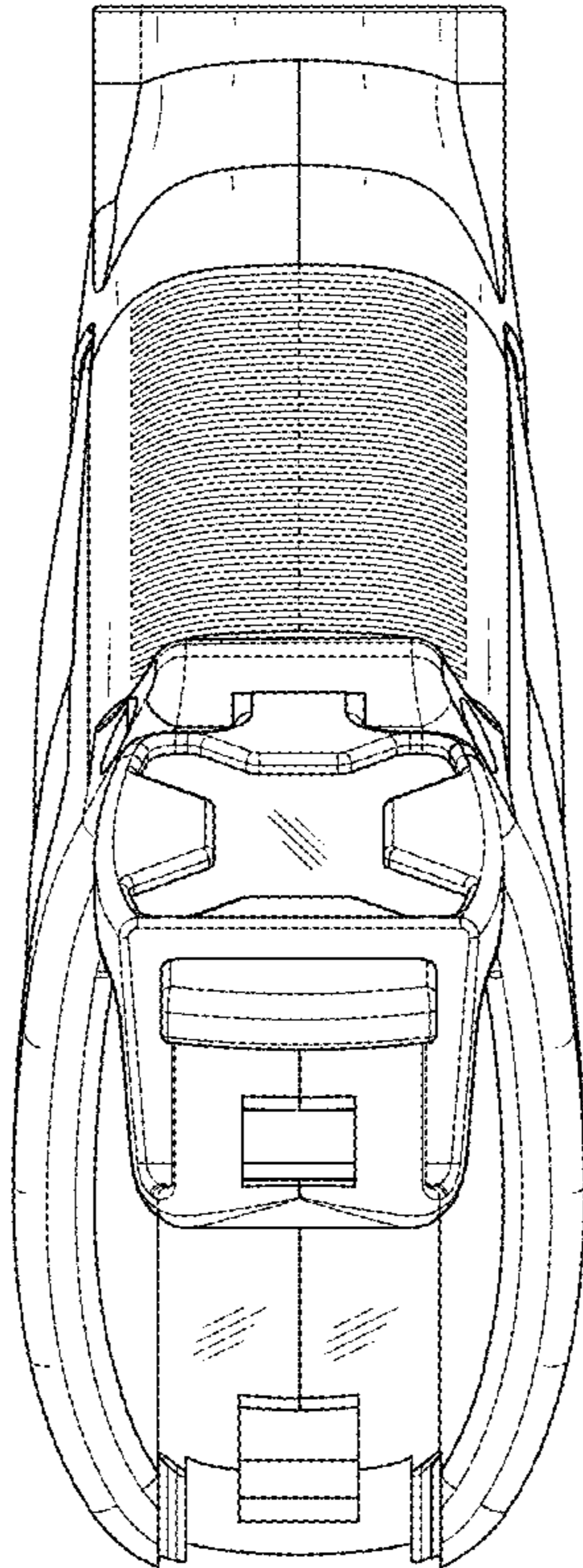


FIG.13